



US00D607546S

(12) **United States Design Patent**  
**Forsythe**

(10) **Patent No.:** **US D607,546 S**  
(45) **Date of Patent:** **\*\* Jan. 5, 2010**

(54) **BLOWOUT PLUG**

(75) **Inventor:** **Nathan Allen Forsythe**, Riverside, RI (US)

(73) **Assignee:** **Nathan A. Forsythe**, Riverside, RI (US)

(\*\*) **Term:** **14 Years**

(21) **Appl. No.:** **29/315,930**

(22) **Filed:** **Aug. 6, 2009**

(51) **LOC (9) Cl.** ..... **23-01**

(52) **U.S. Cl.** ..... **D23/262**

(58) **Field of Classification Search** ..... D23/259-269;  
238/370-372; 138/89-91, 94; 285/121-122,  
285/126, 129, 175; 52/169; 220/234, 358;  
277/165

See application file for complete search history.

(56) **References Cited**

**U.S. PATENT DOCUMENTS**

1,948,056	A *	2/1934	Thompson	.....	122/504.3
2,564,402	A *	8/1951	Macarthur	.....	134/166 C
3,715,099	A	2/1973	Shendure		
3,761,117	A	9/1973	Shendure		
3,895,466	A *	7/1975	Melton	.....	29/890.14
4,716,875	A *	1/1988	Troncoso, Jr.	.....	123/469
4,765,173	A *	8/1988	Schellstede	.....	72/325

5,373,869	A *	12/1994	Zdrok	.....	138/90
D363,767	S *	10/1995	Swaim	.....	D23/260
D375,786	S *	11/1996	Morris	.....	D23/260
D404,472	S	1/1999	Tickle		
6,170,530	B1 *	1/2001	Steblina	.....	138/89
6,431,215	B1 *	8/2002	Hsu	.....	138/89
6,494,463	B1 *	12/2002	Rank	.....	277/607
6,702,254	B2	3/2004	Noble et al.		
6,757,950	B2 *	7/2004	Malone	.....	29/235
2002/0134447	A1 *	9/2002	Devers	.....	138/89

\* cited by examiner

*Primary Examiner*—T. Chase Nelson  
*Assistant Examiner*—Eric L Goodman

(57) **CLAIM**

The ornamental design of a blowout plug, as shown and described.

**DESCRIPTION**

FIG. 1 is an isometric view of a blowout plug embodying my new design;

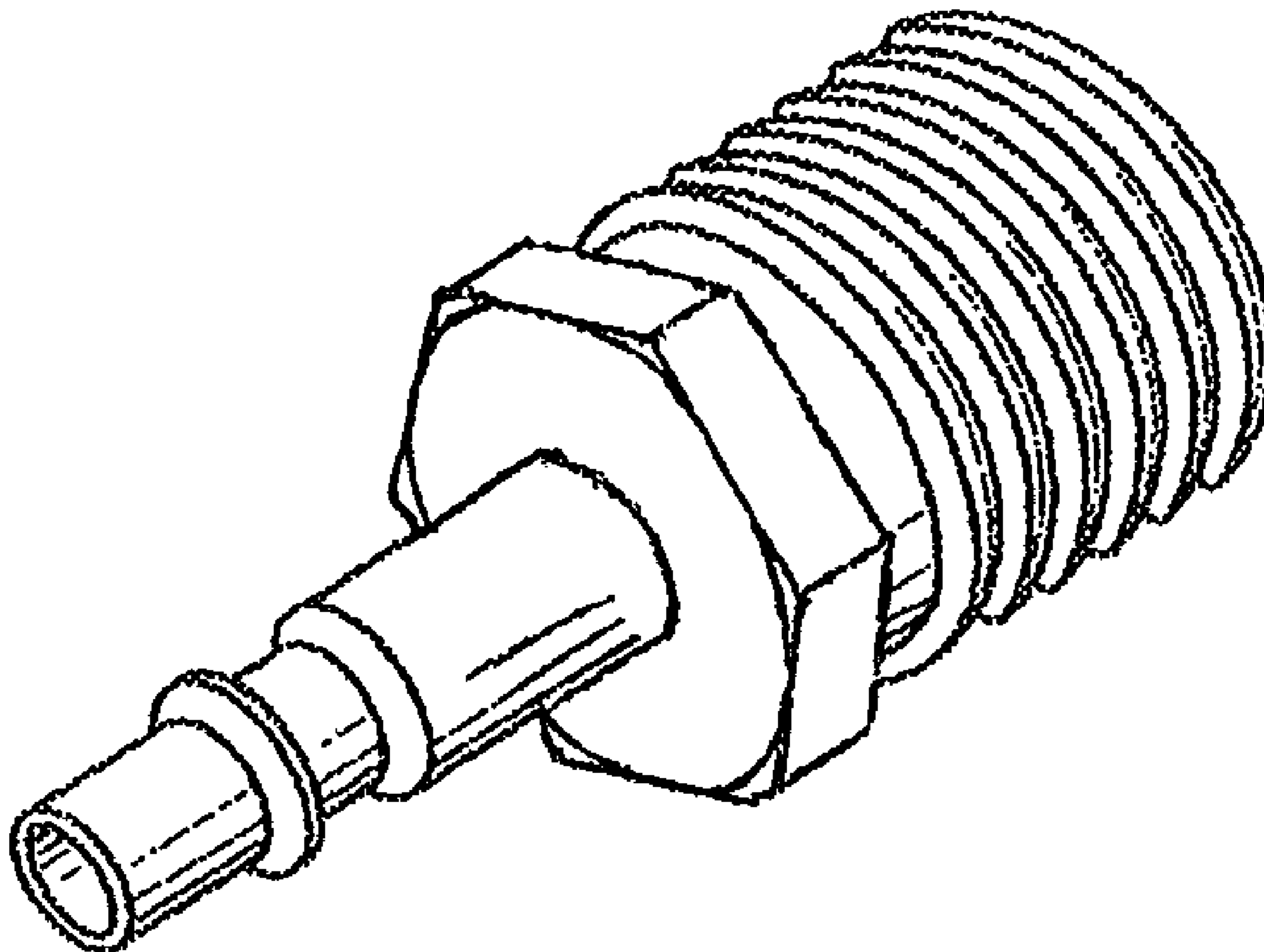
FIG. 2 is a side cross-sectional view thereof;

FIG. 3 is a side elevation view thereof;

FIG. 4 is a top plan view thereof; and,

FIG. 5 is bottom plan view thereof.

**1 Claim, 2 Drawing Sheets**



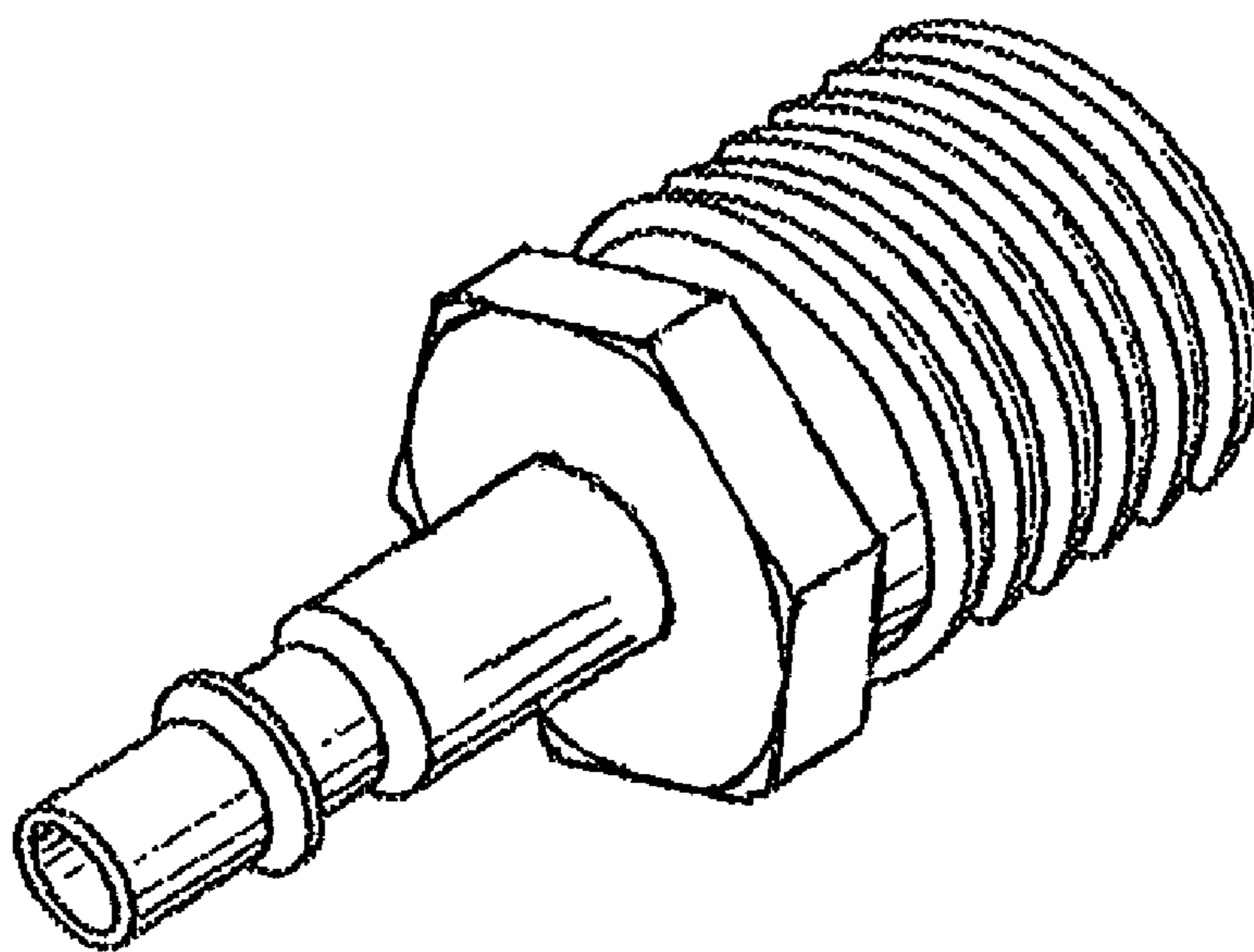


FIG. 1

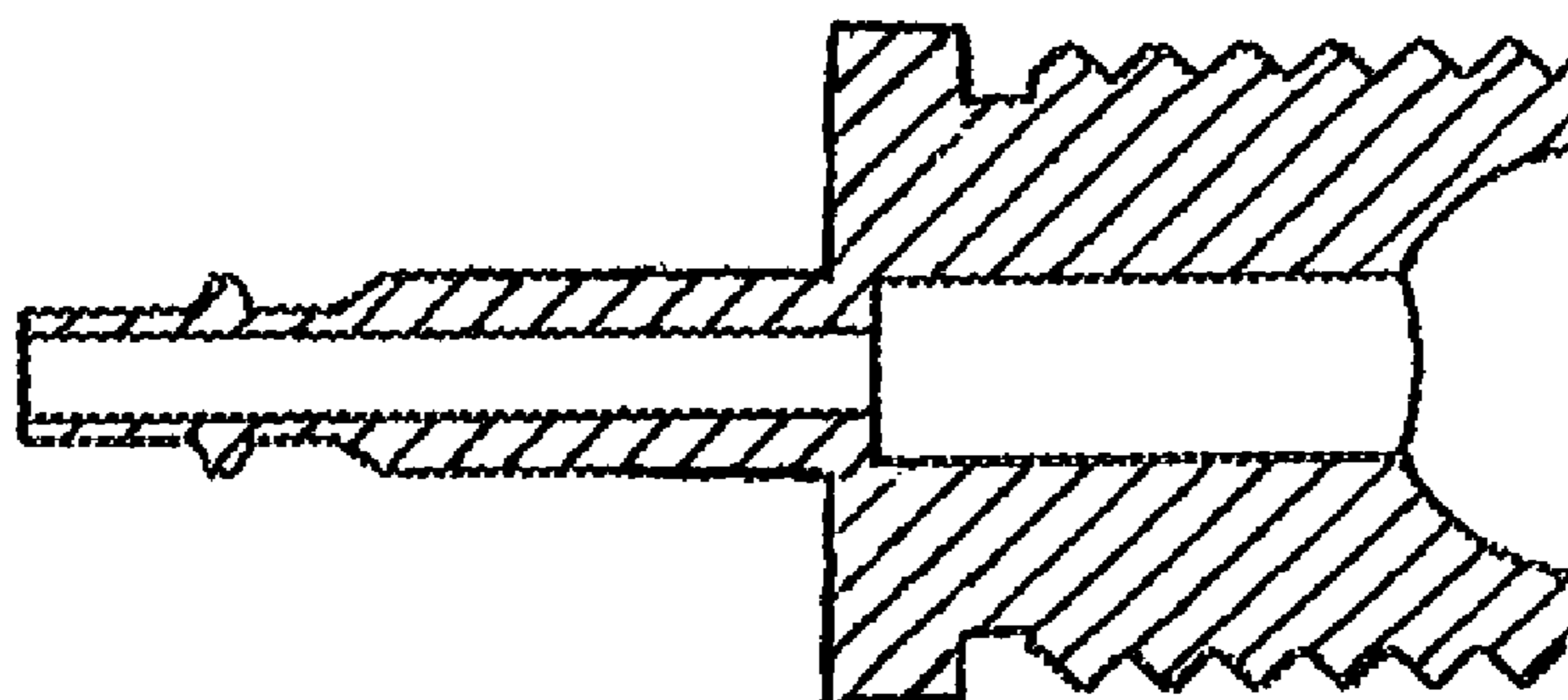


FIG. 2

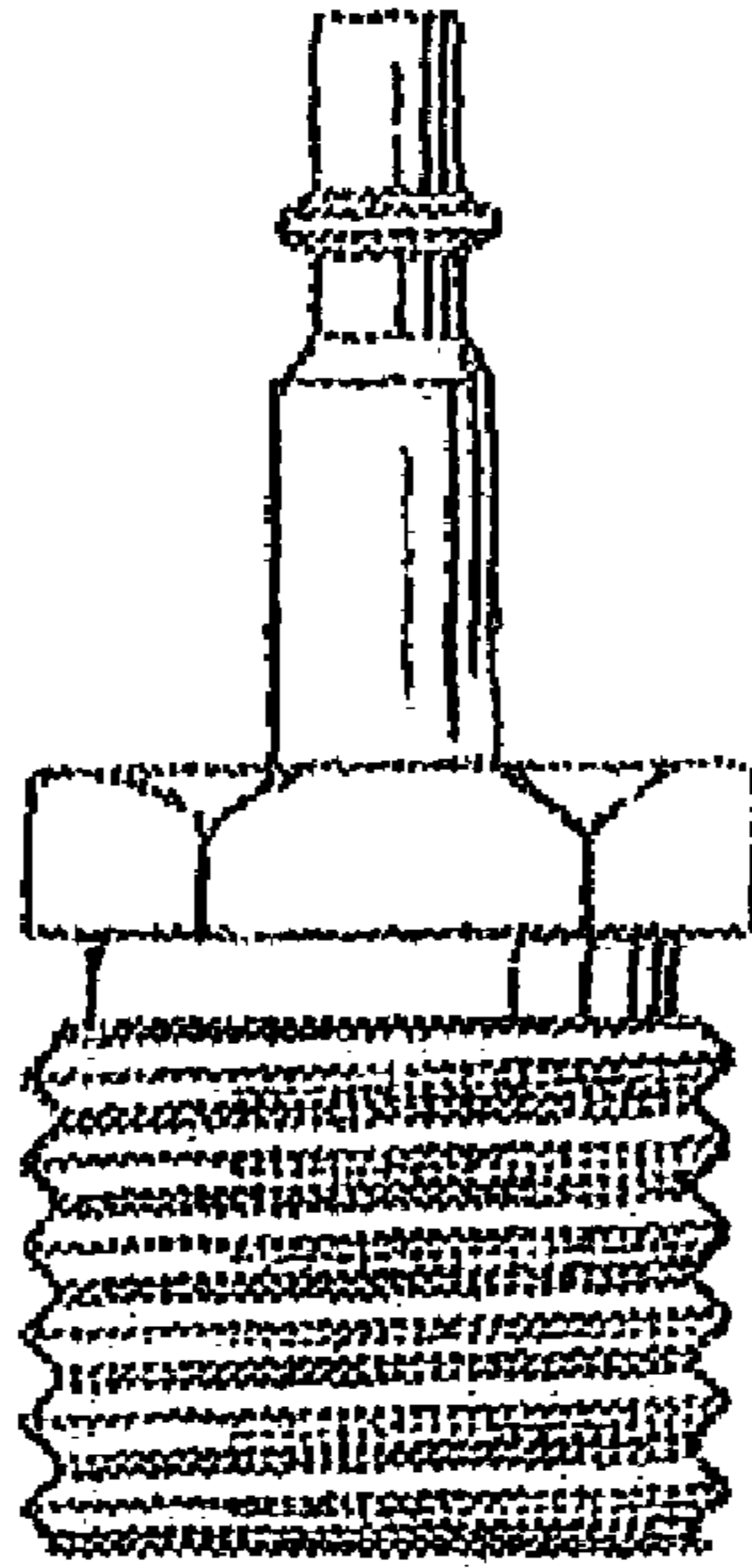


FIG. 3

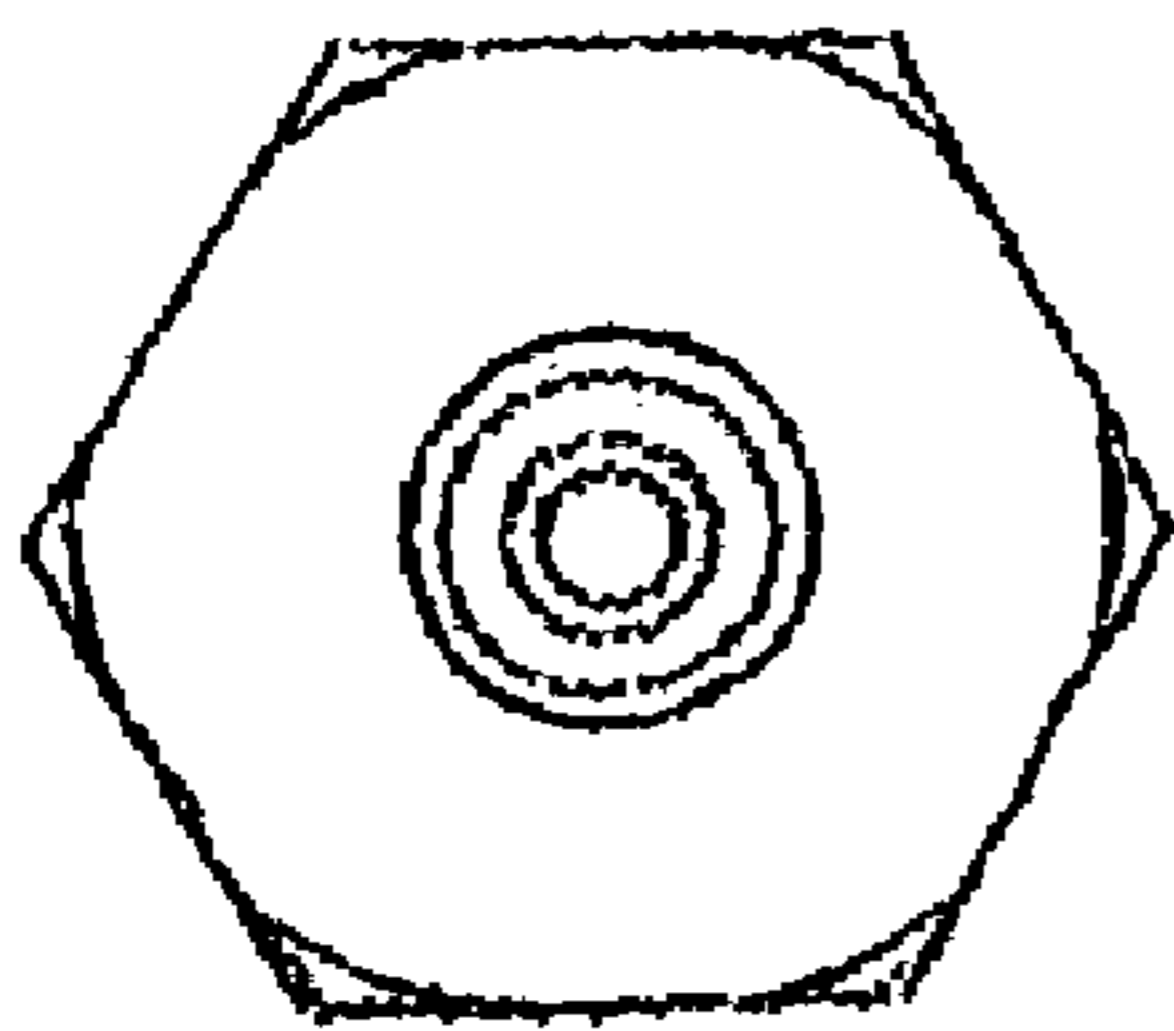


FIG. 4

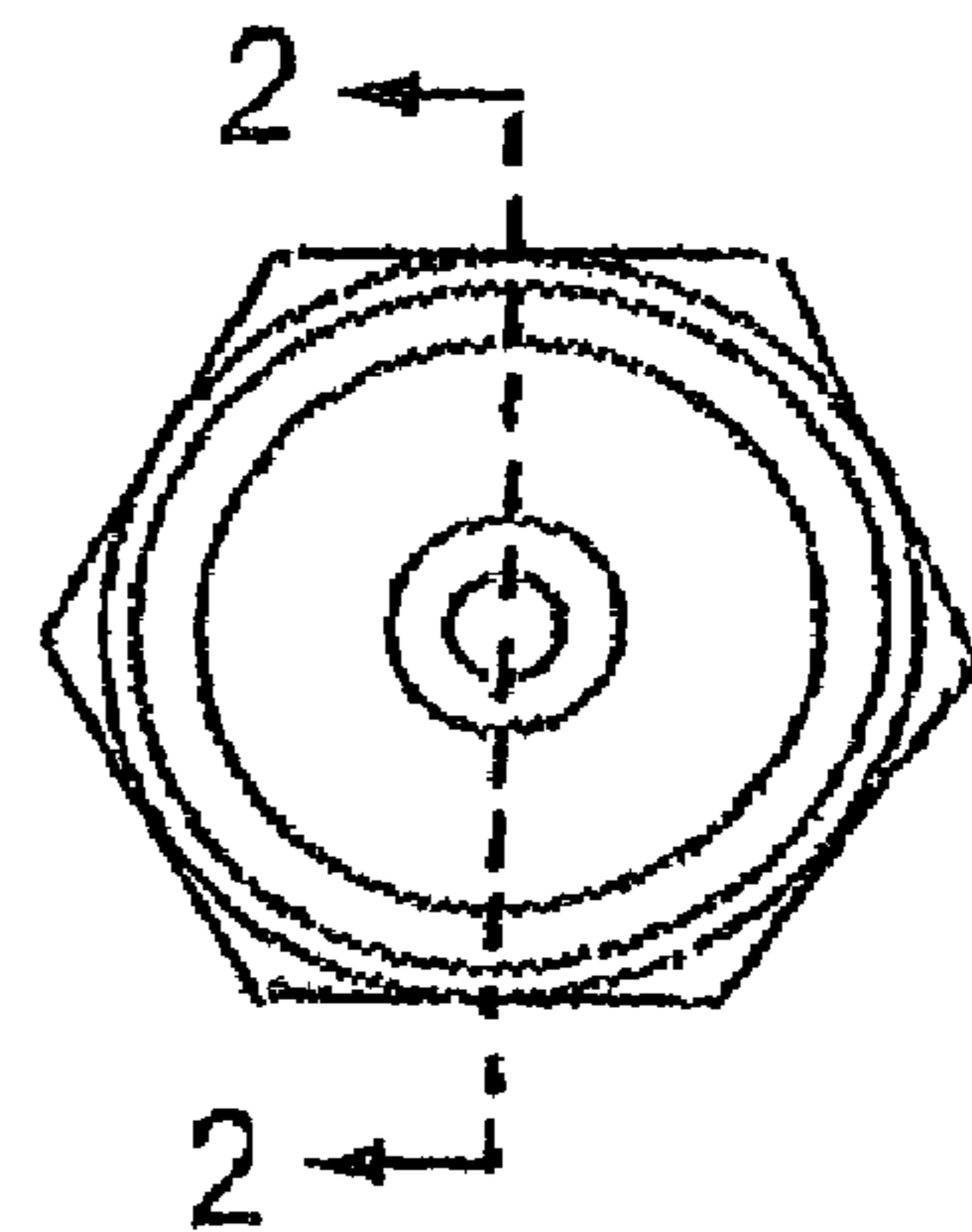


FIG. 5