



US00D607545S

(12) **United States Design Patent**
Obara

(10) **Patent No.:** **US D607,545 S**

(45) **Date of Patent:** **** Jan. 5, 2010**

(54) **SPOUT**

(75) Inventor: **Mitsuya Obara**, Kitakyushu (JP)

(73) Assignee: **ToTo Ltd.**, Kitakyushu-Shi (JP)

(**) Term: **14 Years**

(21) Appl. No.: **29/332,846**

(22) Filed: **Feb. 26, 2009**

(30) **Foreign Application Priority Data**

Oct. 1, 2008 (JP) 2008-025283
Dec. 2, 2008 (JP) 2008-030792

(51) **LOC (9) Cl.** **02-01**

(52) **U.S. Cl.** **D23/255**

(58) **Field of Classification Search** D23/238,
D23/241–243, 255–257; 4/678; 137/801
See application file for complete search history.

(56) **References Cited**

U.S. PATENT DOCUMENTS

D527,794 S * 9/2006 Sieger D23/238
D568,444 S * 5/2008 Lobermeier et al. D23/241
D580,016 S * 11/2008 Downey D23/238
D582,525 S * 12/2008 Downey D23/255

* cited by examiner

Primary Examiner—Robert A Delehanty

(74) *Attorney, Agent, or Firm*—Birch, Stewart, Kolasch & Birch, LLP

(57) **CLAIM**

The ornamental design for a spout, as shown and described.

DESCRIPTION

FIG. 1 is a perspective view of the top, front and right side of a spout showing my new design;

FIG. 2 is a front view thereof;

FIG. 3 is a rear view thereof;

FIG. 4 is a left side view thereof;

FIG. 5 is a right side view thereof;

FIG. 6 is a top plan view thereof;

FIG. 7 is a bottom view thereof;

FIG. 8 is a perspective view of the top, front and right side of a spout showing my new design of a second embodiment;

FIG. 9 is a front view thereof;

FIG. 10 is a rear view thereof;

FIG. 11 is a left side view thereof;

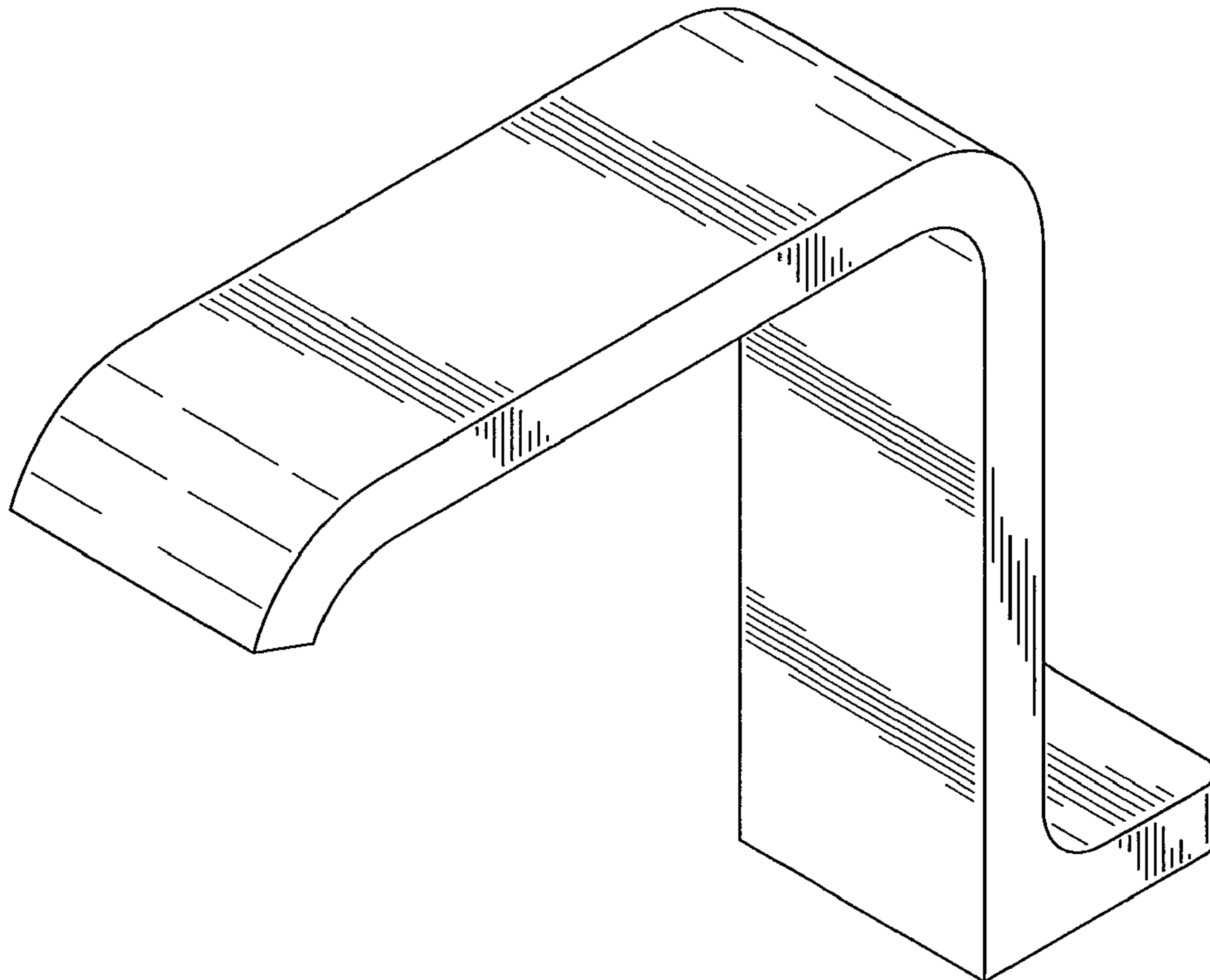
FIG. 12 is a right side view thereof;

FIG. 13 is a top plan view thereof; and,

FIG. 14 is a bottom view thereof.

The portion of the article in broken lines are shown for illustrative purposes only and from no part of the claimed design.

1 Claim, 6 Drawing Sheets



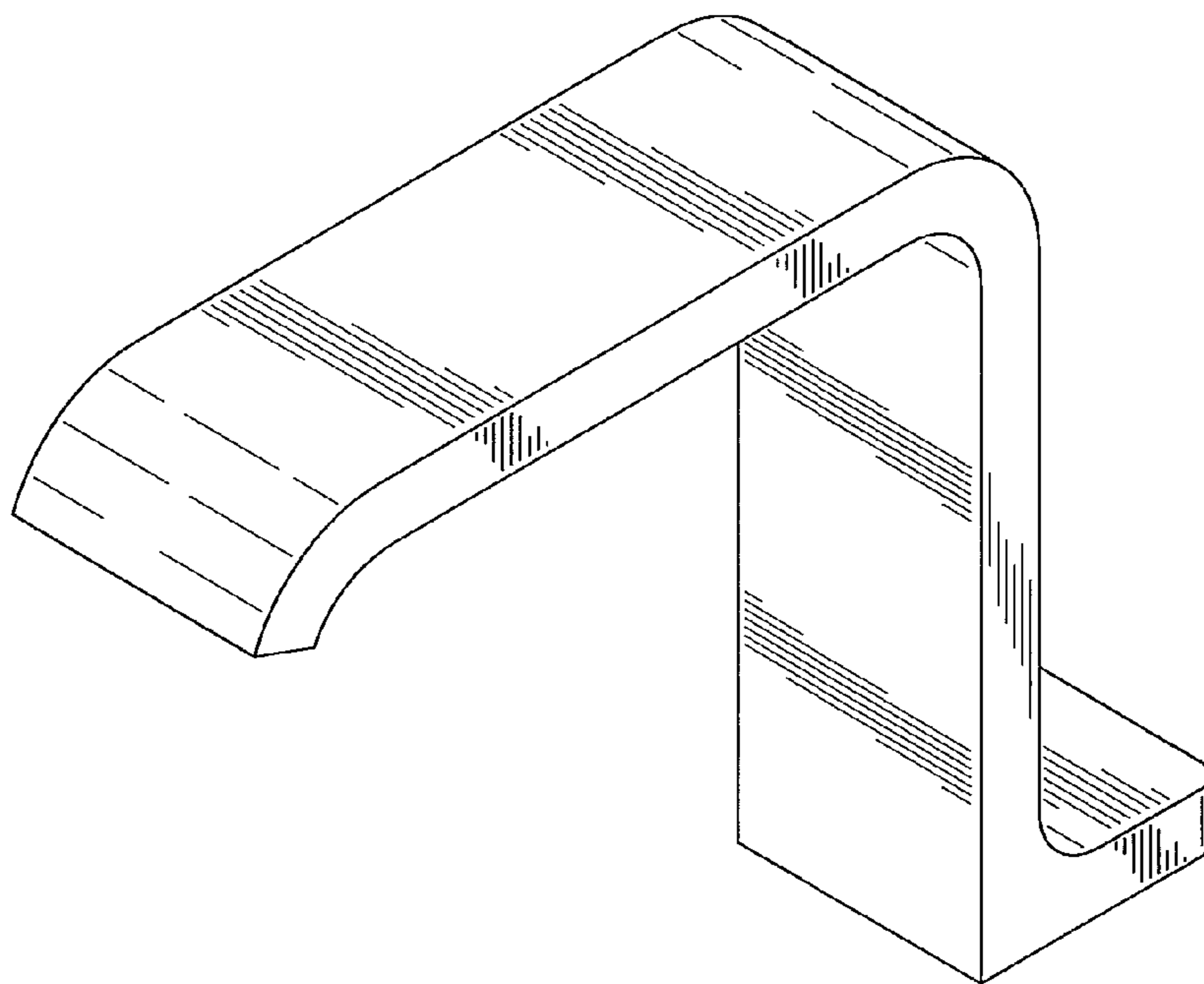


FIG. 1

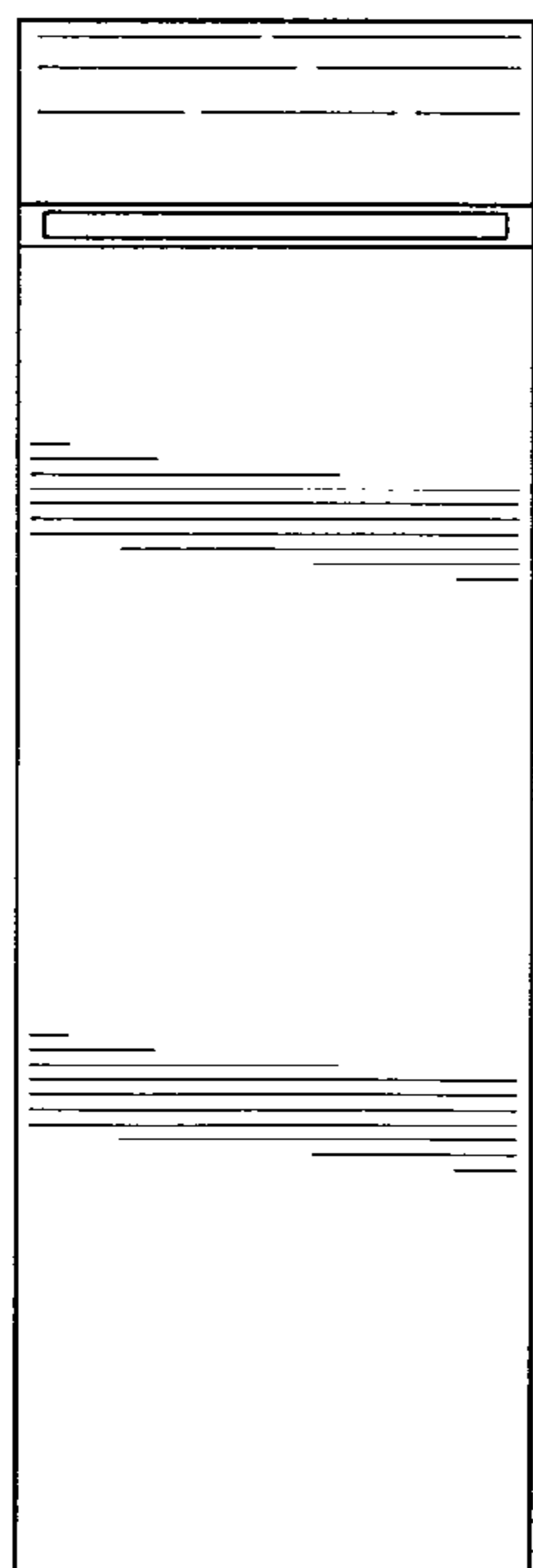


FIG. 2

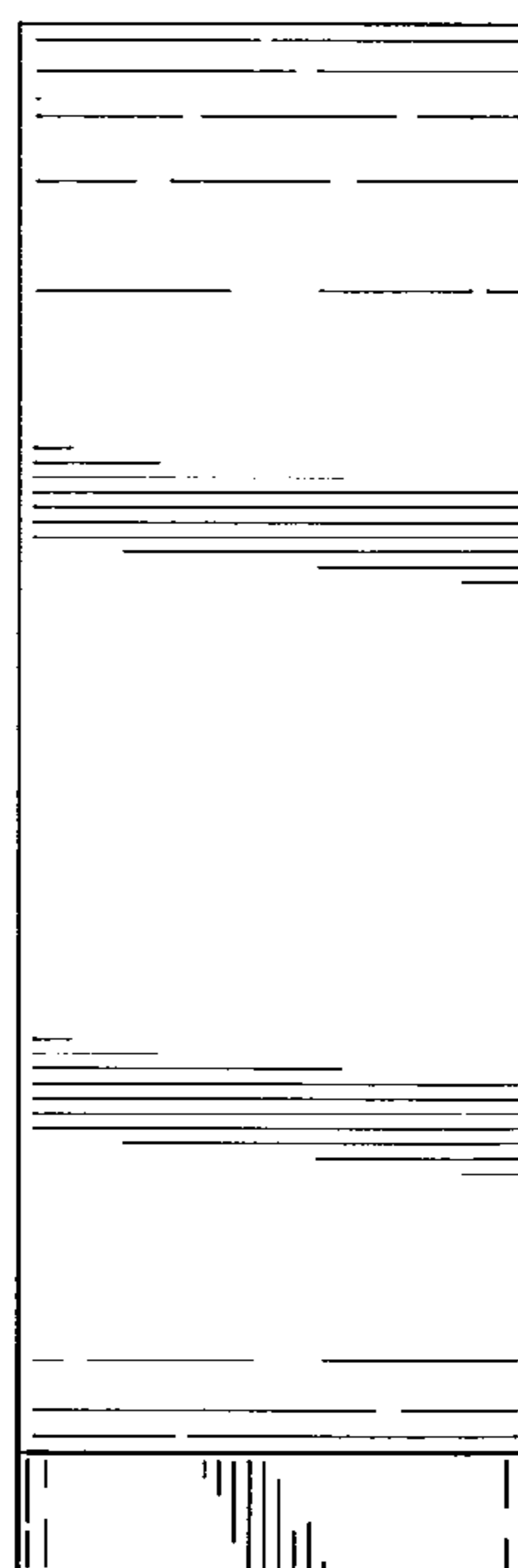


FIG. 3

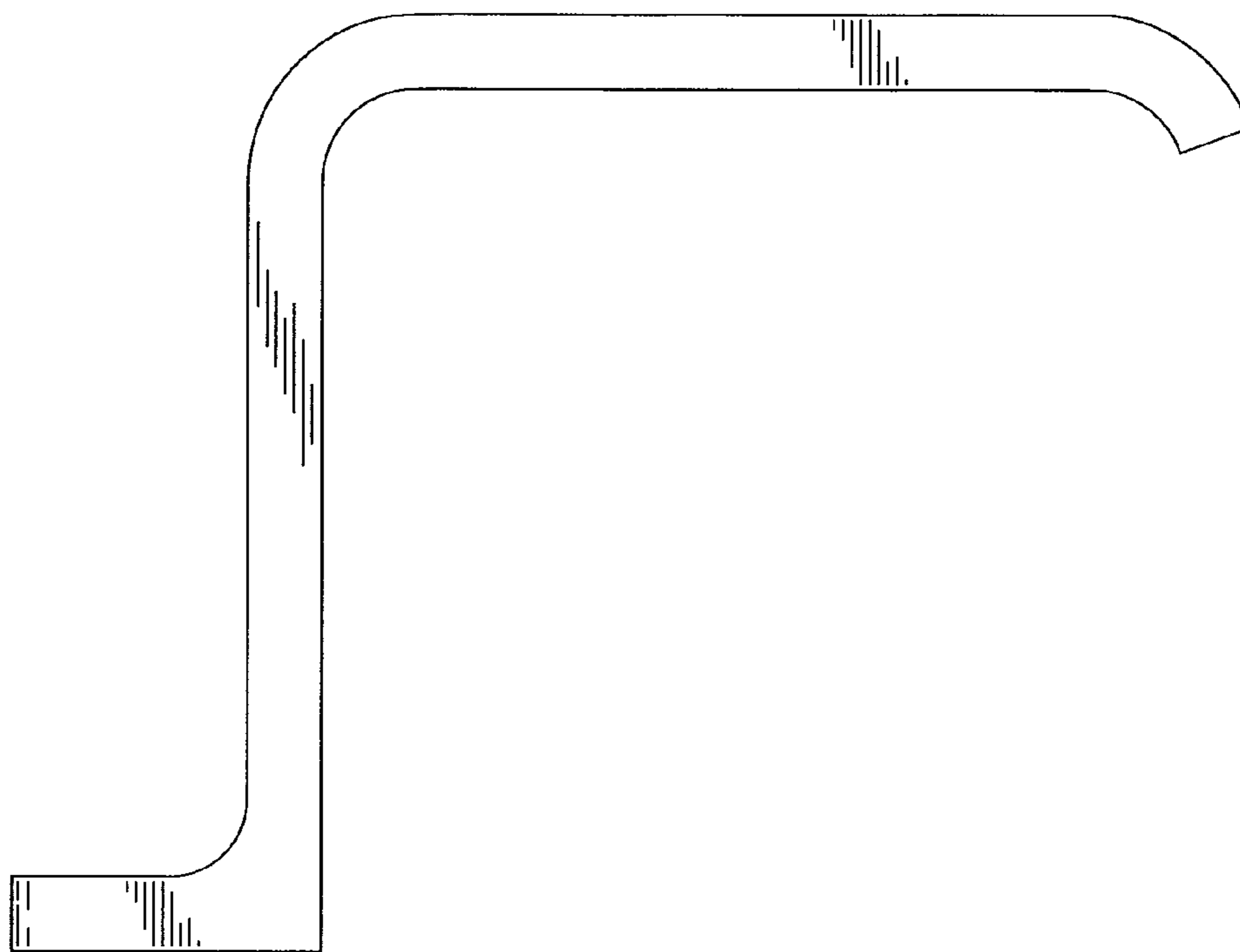


FIG. 4

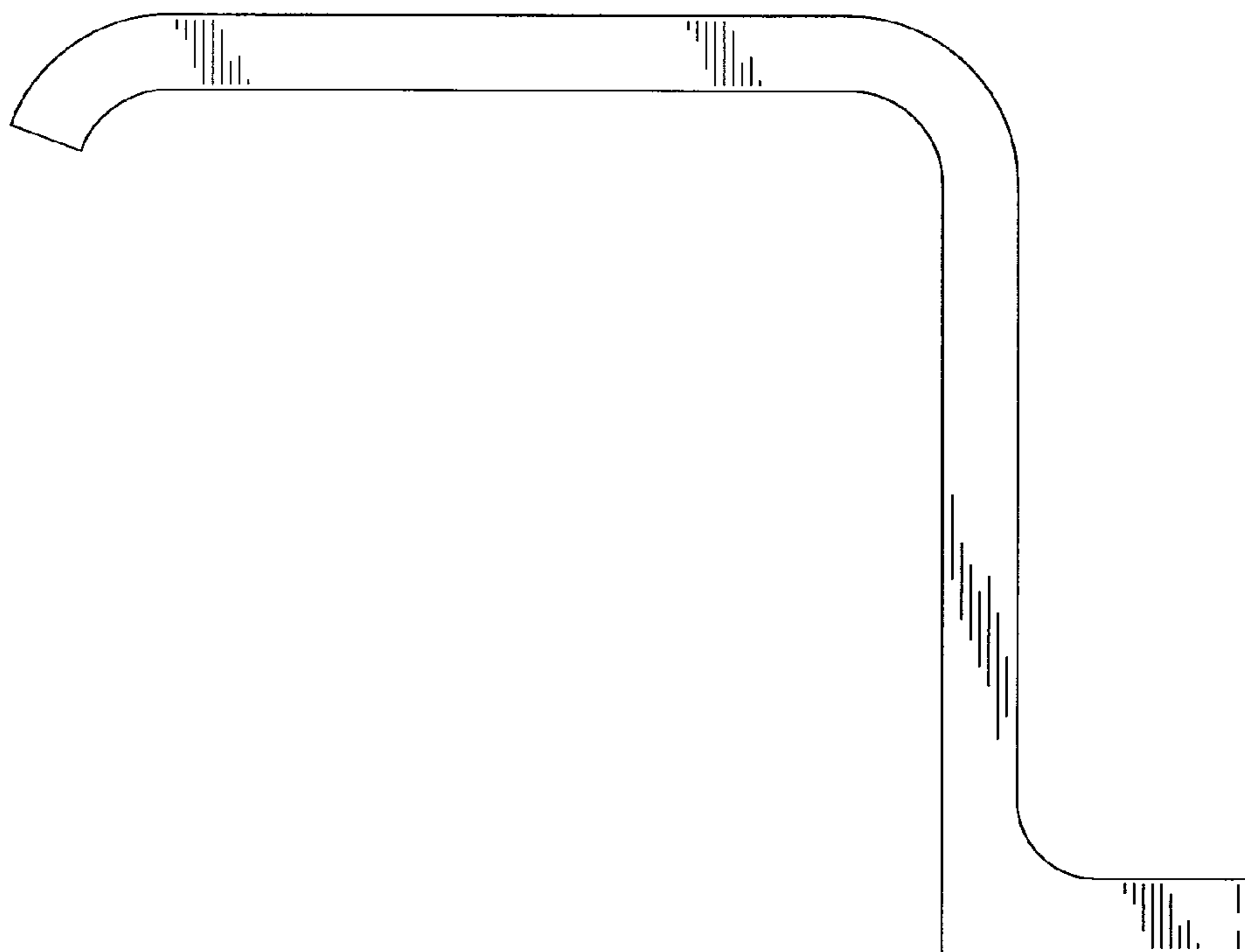


FIG. 5

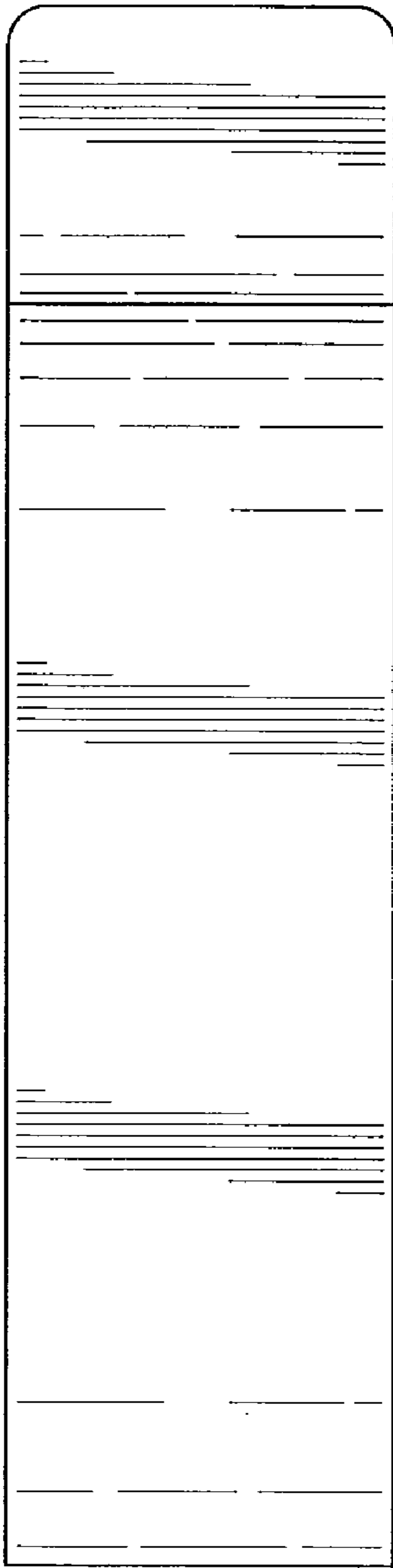


FIG. 6

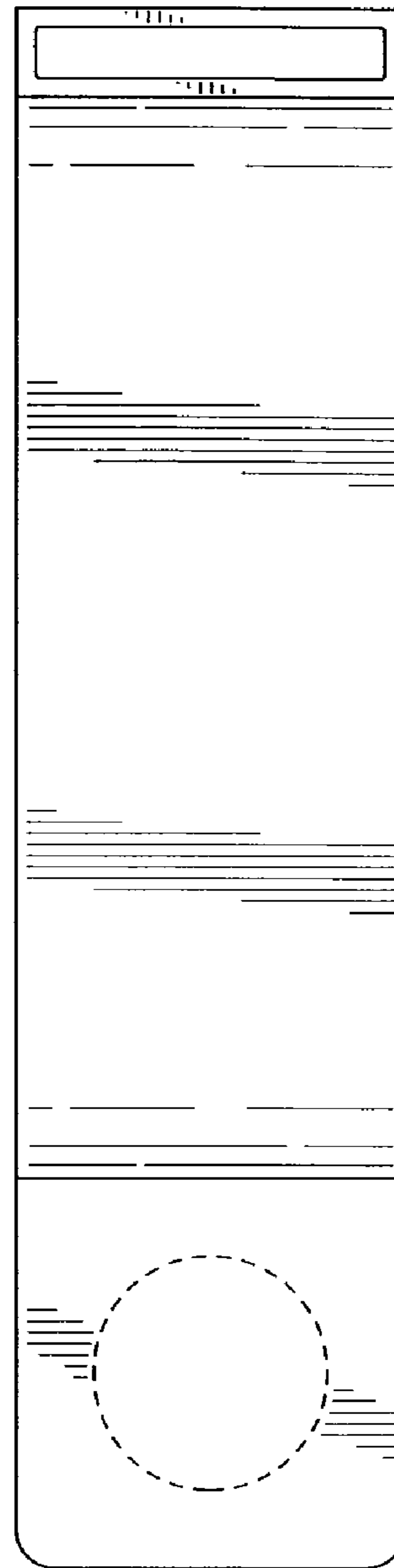


FIG. 7

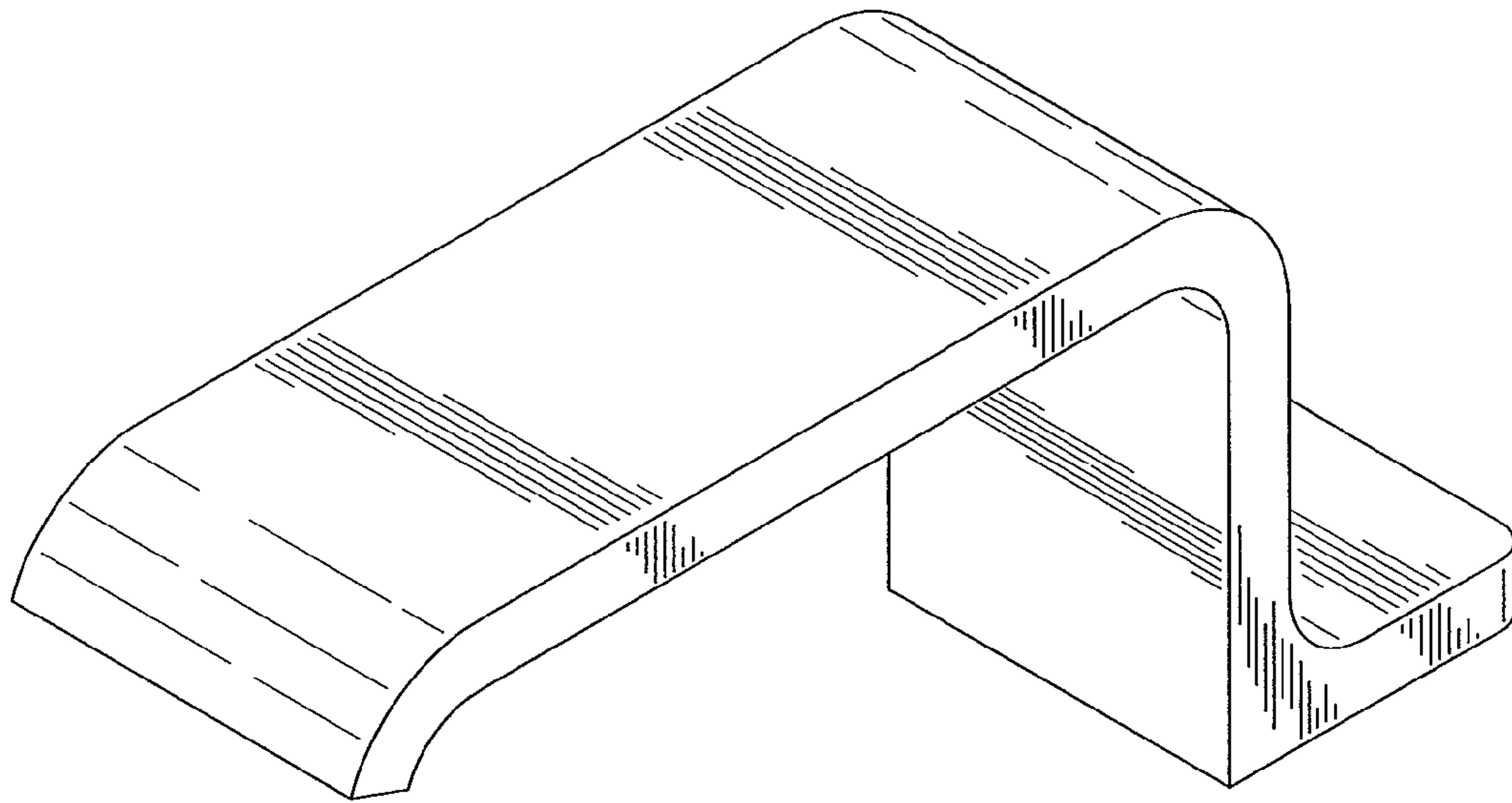


FIG. 8

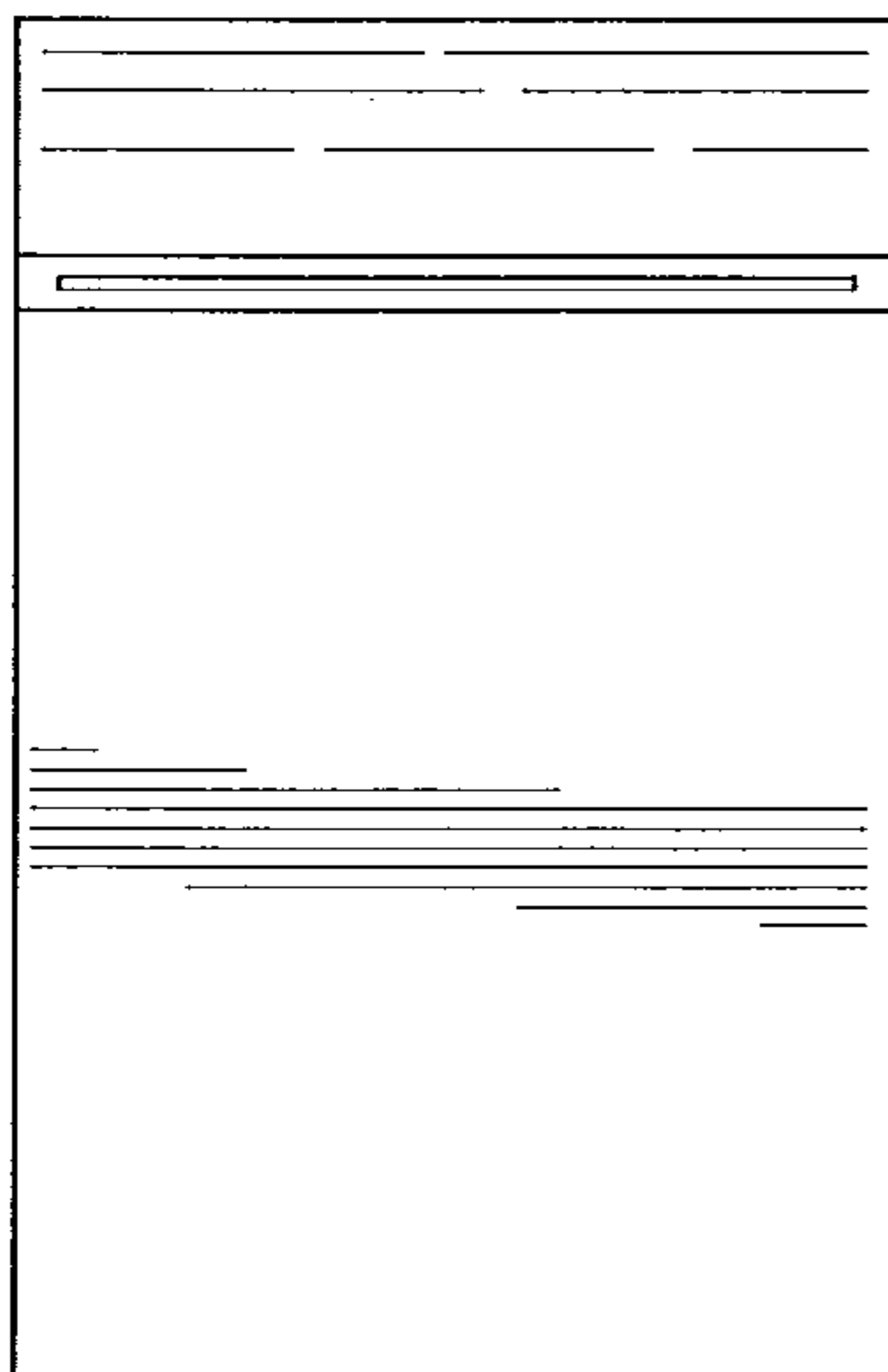


FIG. 9

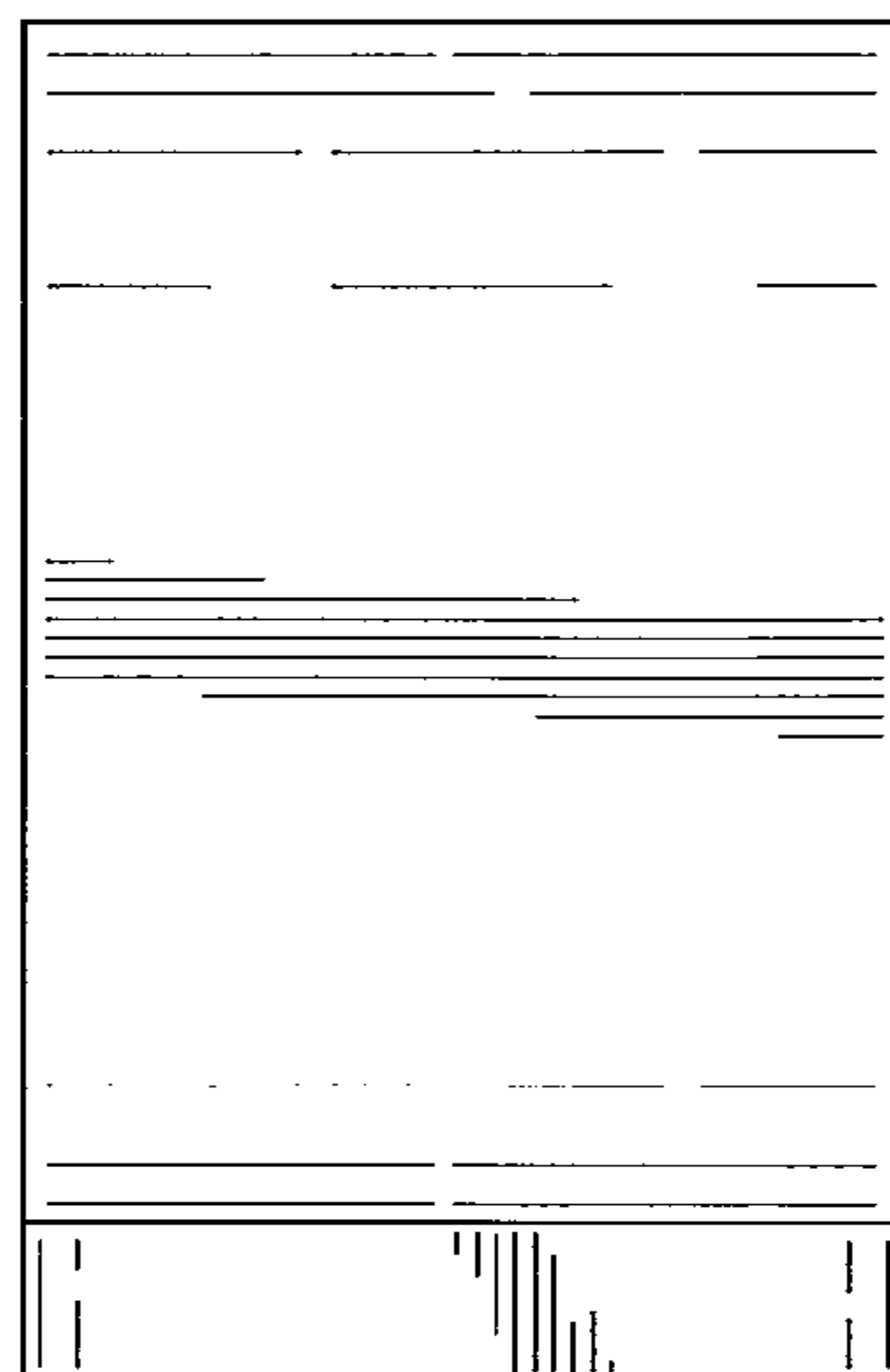


FIG. 10

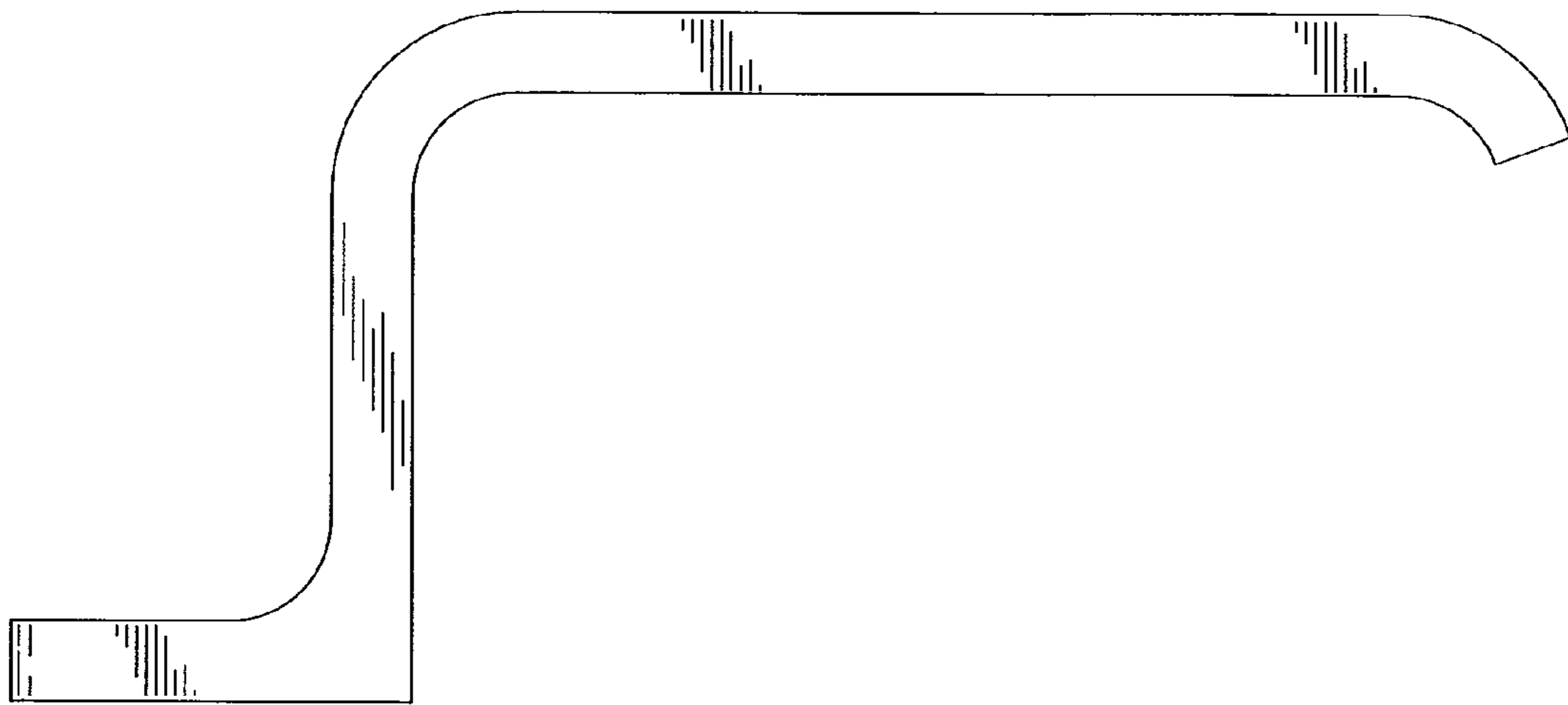


FIG. 11

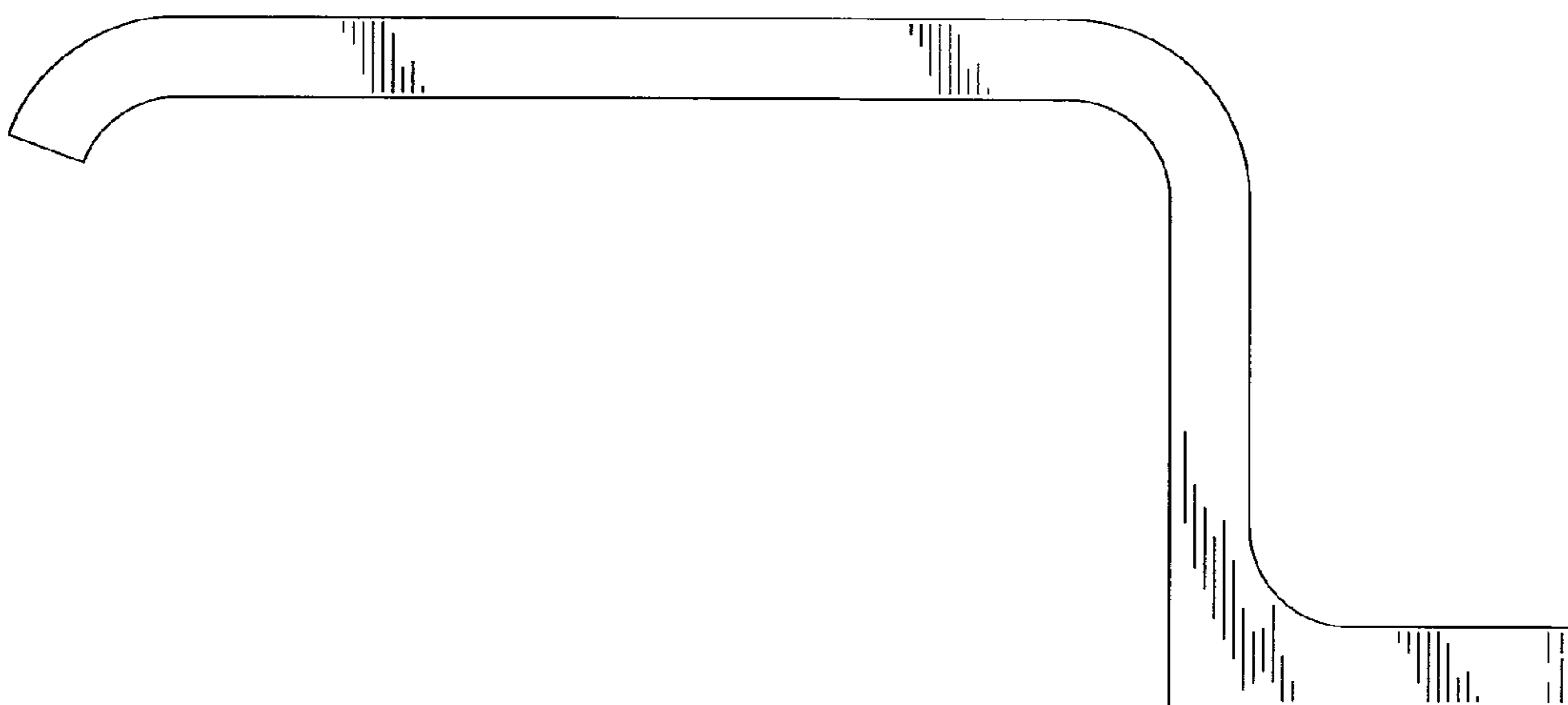


FIG. 12

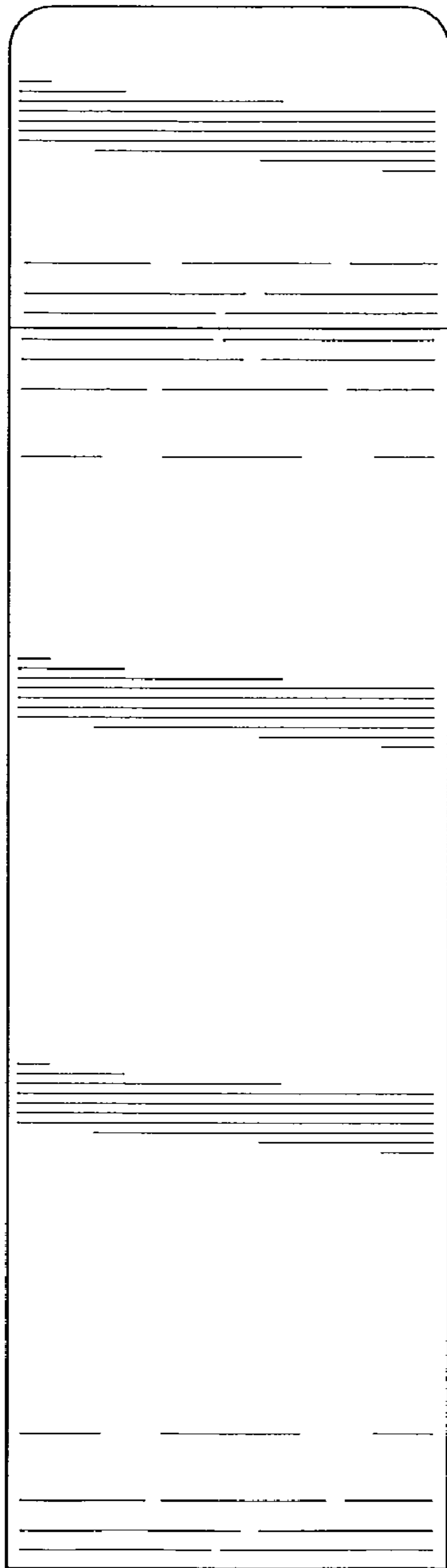


FIG. 13

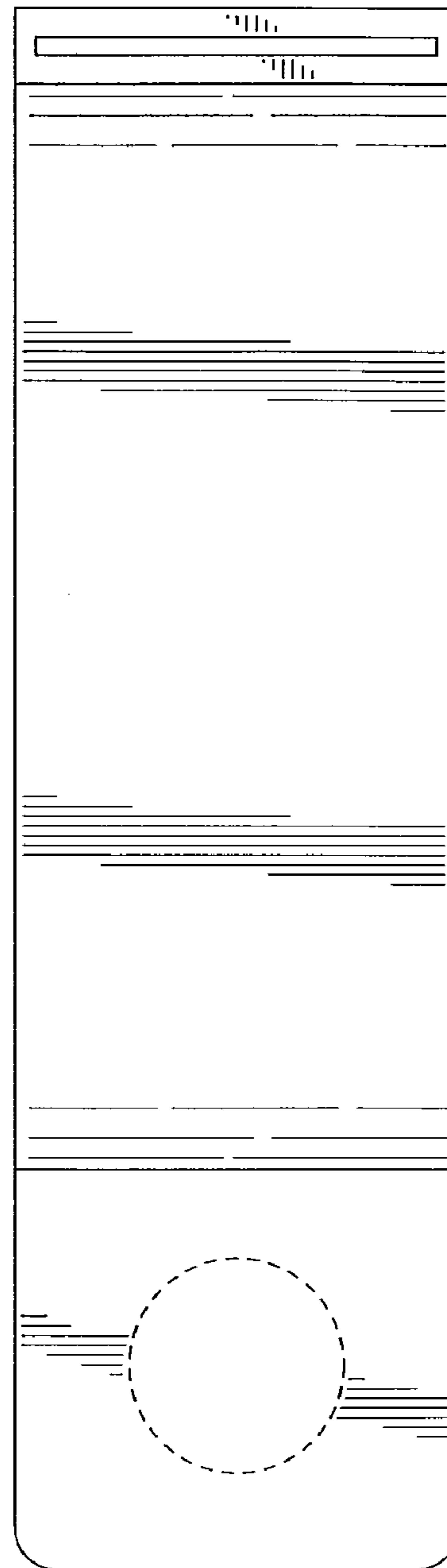


FIG. 14