



US00D607543S

(12) **United States Design Patent**  
**Allard**

(10) **Patent No.:** **US D607,543 S**

(45) **Date of Patent:** **\*\* Jan. 5, 2010**

(54) **FAUCET**

D581,026 S \* 11/2008 Citterio ..... D23/255

(75) Inventor: **Jochen Allard**, Menden (DE)

\* cited by examiner

(73) Assignee: **Grohe AG**, Hemer (DE)

*Primary Examiner*—Robert A Delehanty

(\*\*) Term: **14 Years**

(74) *Attorney, Agent, or Firm*—Muncy, Geissler, Olds & Lowe, PLLC

(21) Appl. No.: **29/328,152**

(57) **CLAIM**

(22) Filed: **Nov. 19, 2008**

The ornamental design of a faucet, as shown and described.

(30) **Foreign Application Priority Data**

**DESCRIPTION**

May 22, 2008 (EM) ..... 000938949-0002

(51) **LOC (9) Cl.** ..... **23-01**

(52) **U.S. Cl.** ..... **D23/255**

(58) **Field of Classification Search** ..... D23/239–243,  
D23/250–254, 255–257; 4/675–678; 137/801;  
16/110.1; D8/300, 307–312; D6/512, 524,  
D6/546, 550

See application file for complete search history.

FIG. 1 is a perspective view of a faucet according to a first embodiment of the present invention;

FIG. 2 is a front elevational view of the faucet of FIG. 1;

FIG. 3 is a rear elevational view of the faucet of FIG. 1;

FIG. 4 is a left side elevational view of the faucet of FIG. 1;

FIG. 5 is a right side elevational view of the faucet of FIG. 1;

FIG. 6 is a top plan view of the faucet of FIG. 1; and,

FIG. 7 is a bottom plan view of the faucet of FIG. 1.

No claim is made to the material illustrated with dashed lines.

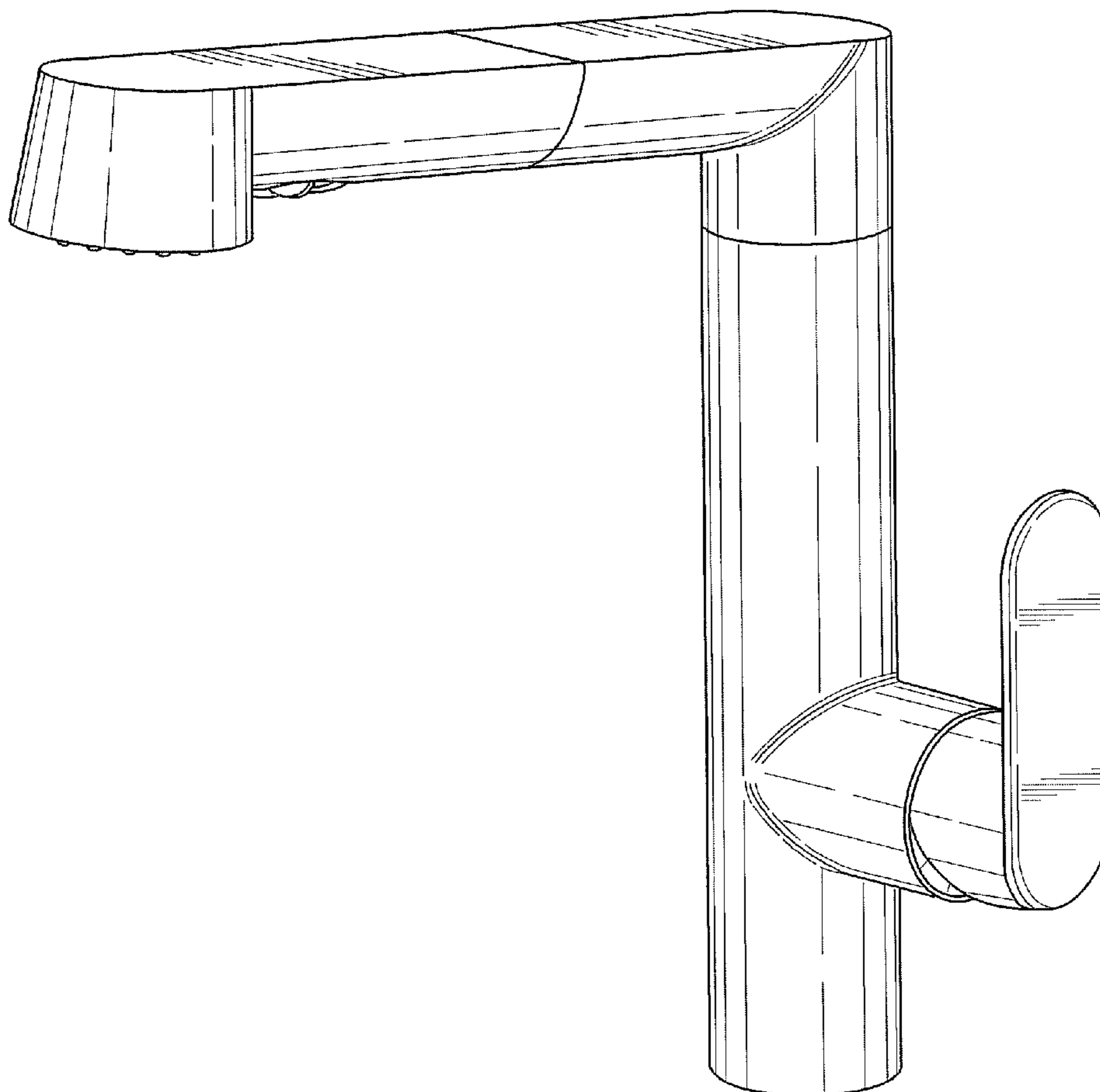
(56) **References Cited**

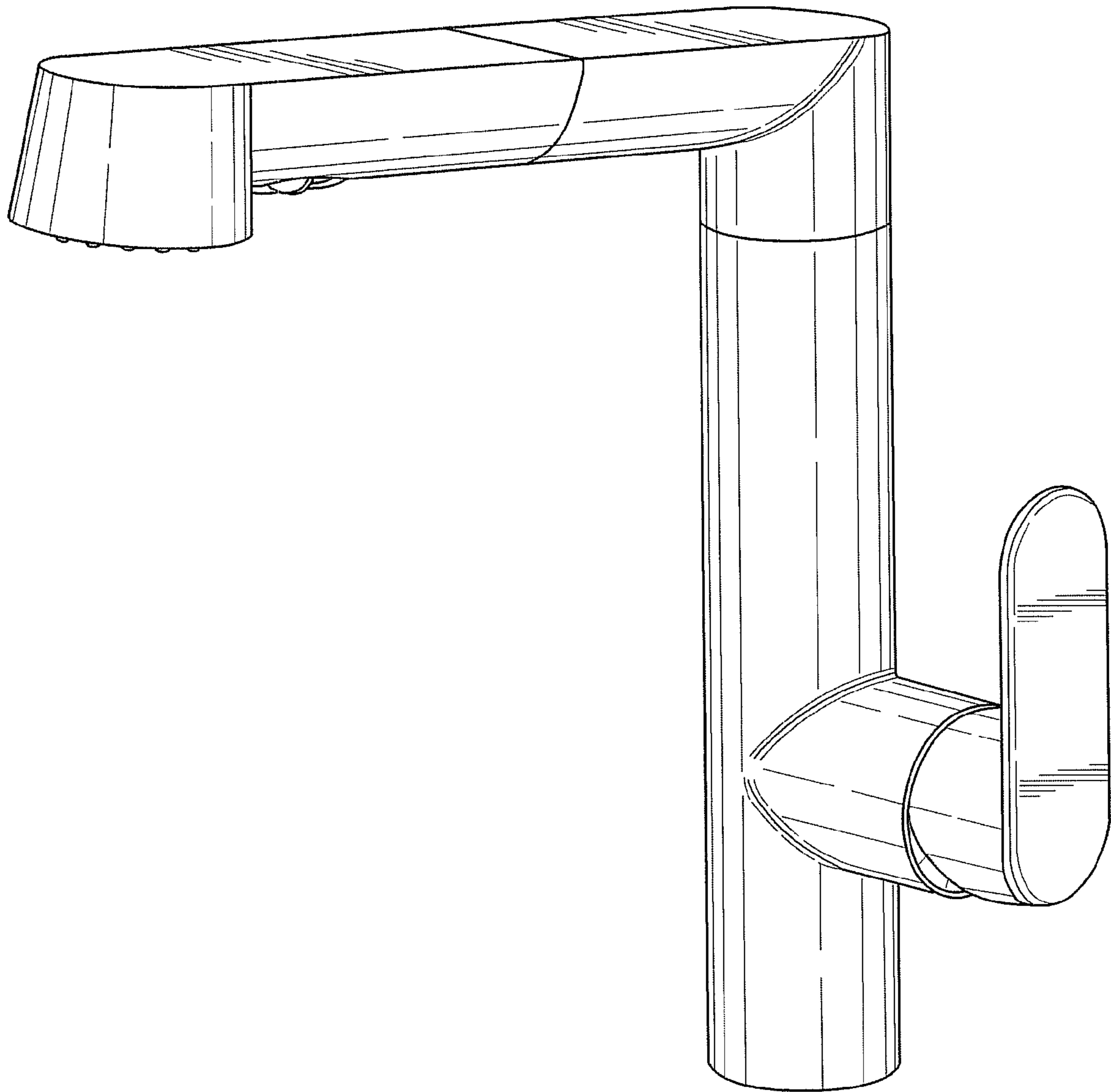
**U.S. PATENT DOCUMENTS**

D534,245 S \* 12/2006 Egli et al. .... D23/238

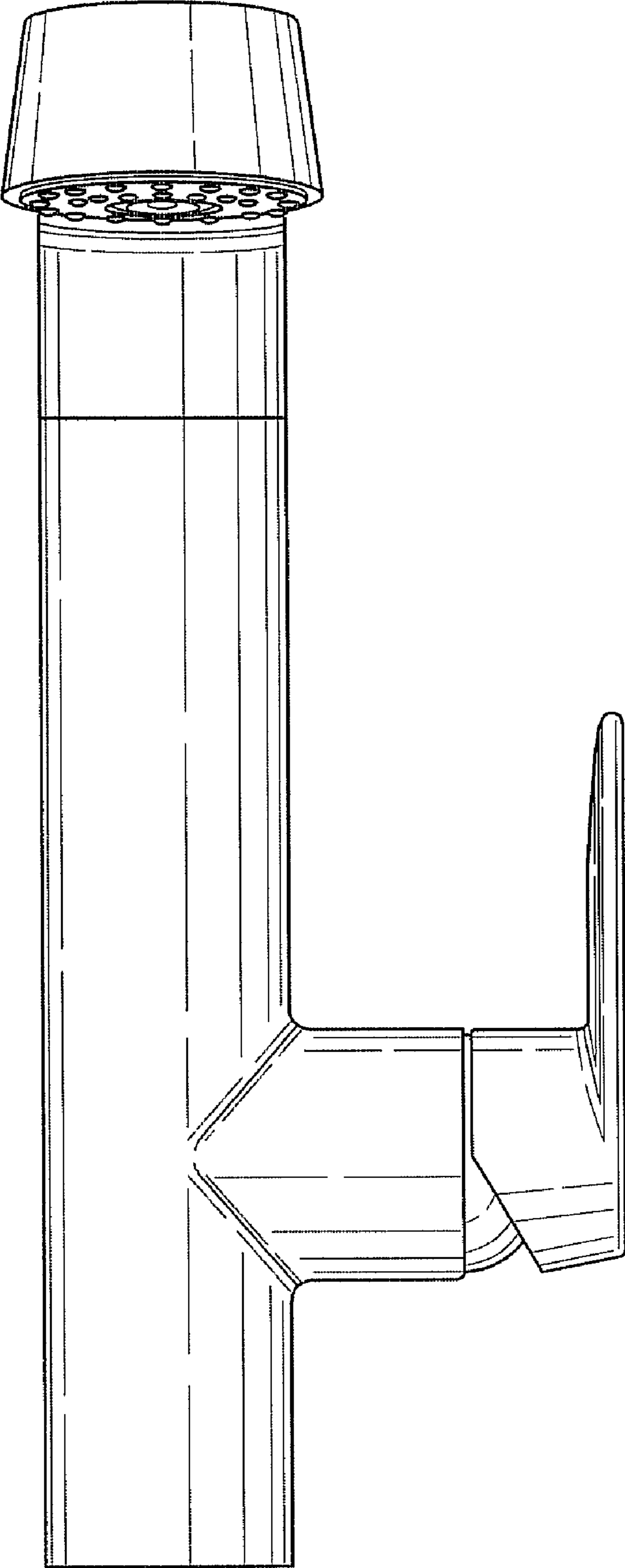
D581,023 S \* 11/2008 Citterio ..... D23/252

**1 Claim, 7 Drawing Sheets**

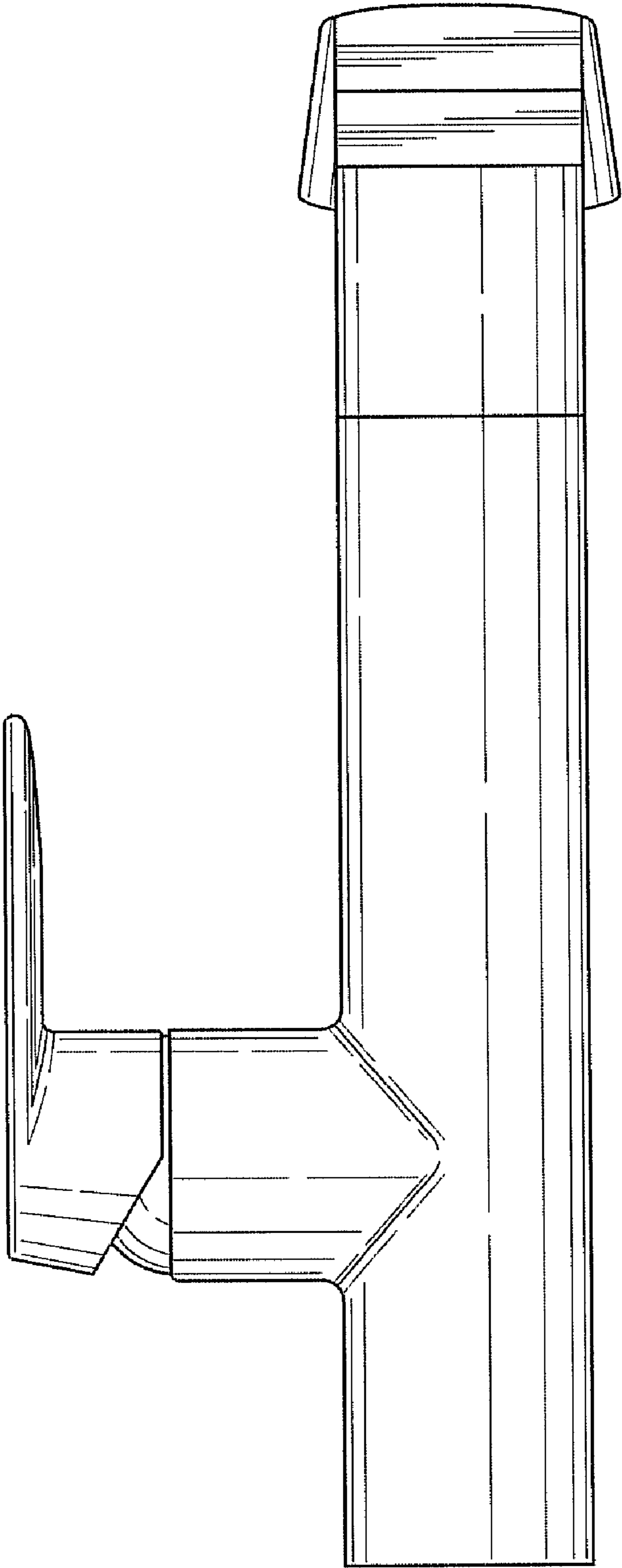




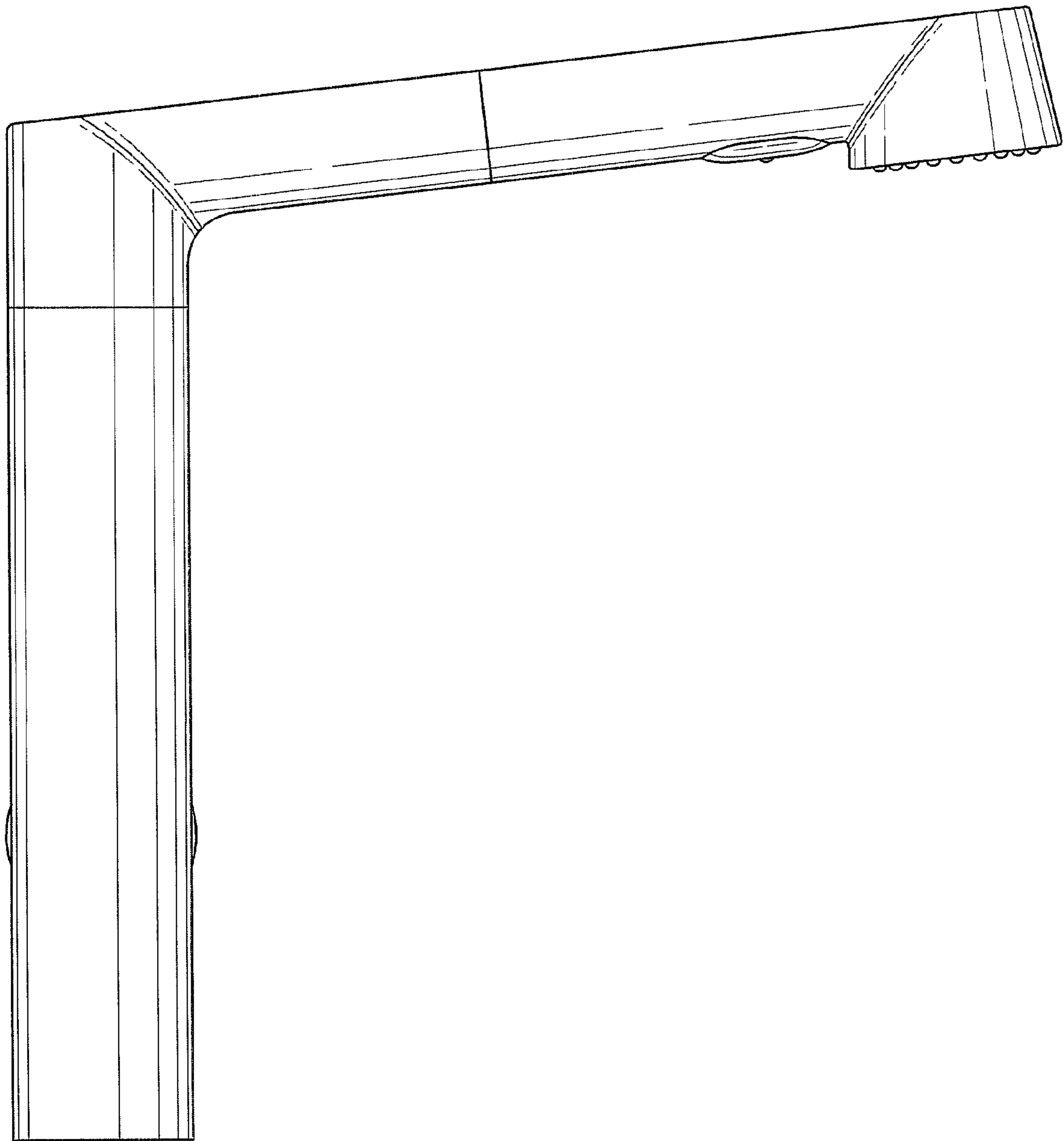
**FIG. 1**



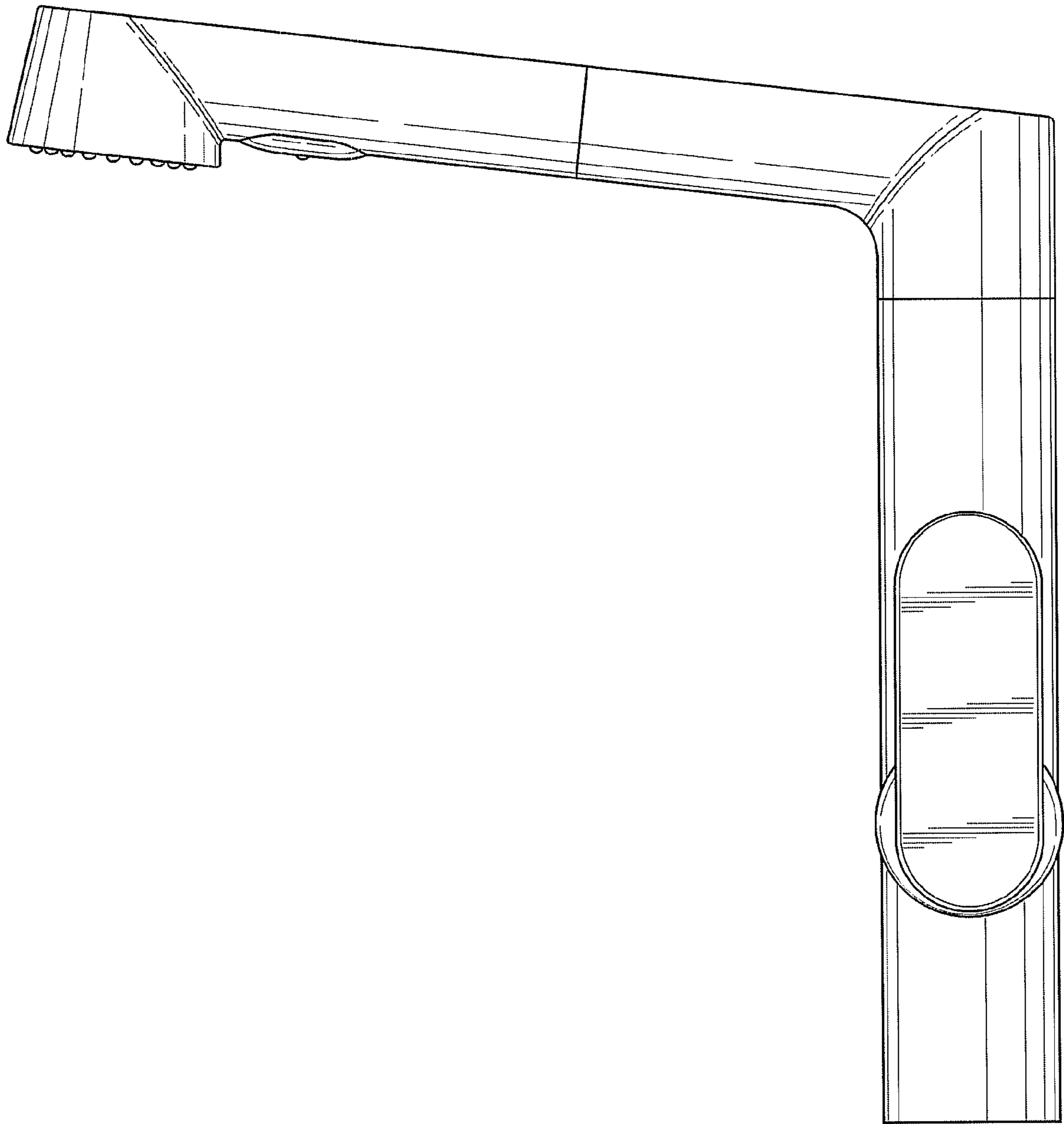
**FIG. 2**



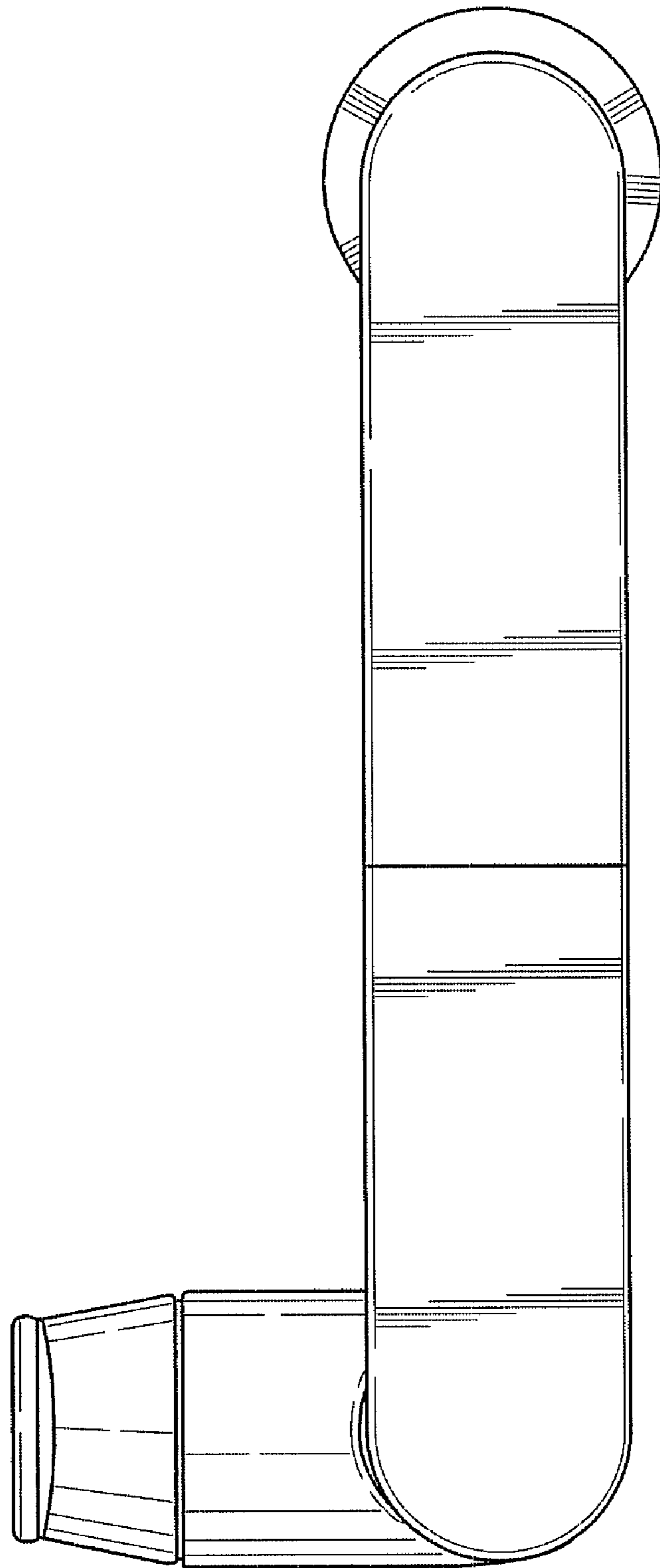
**FIG. 3**



**FIG. 4**

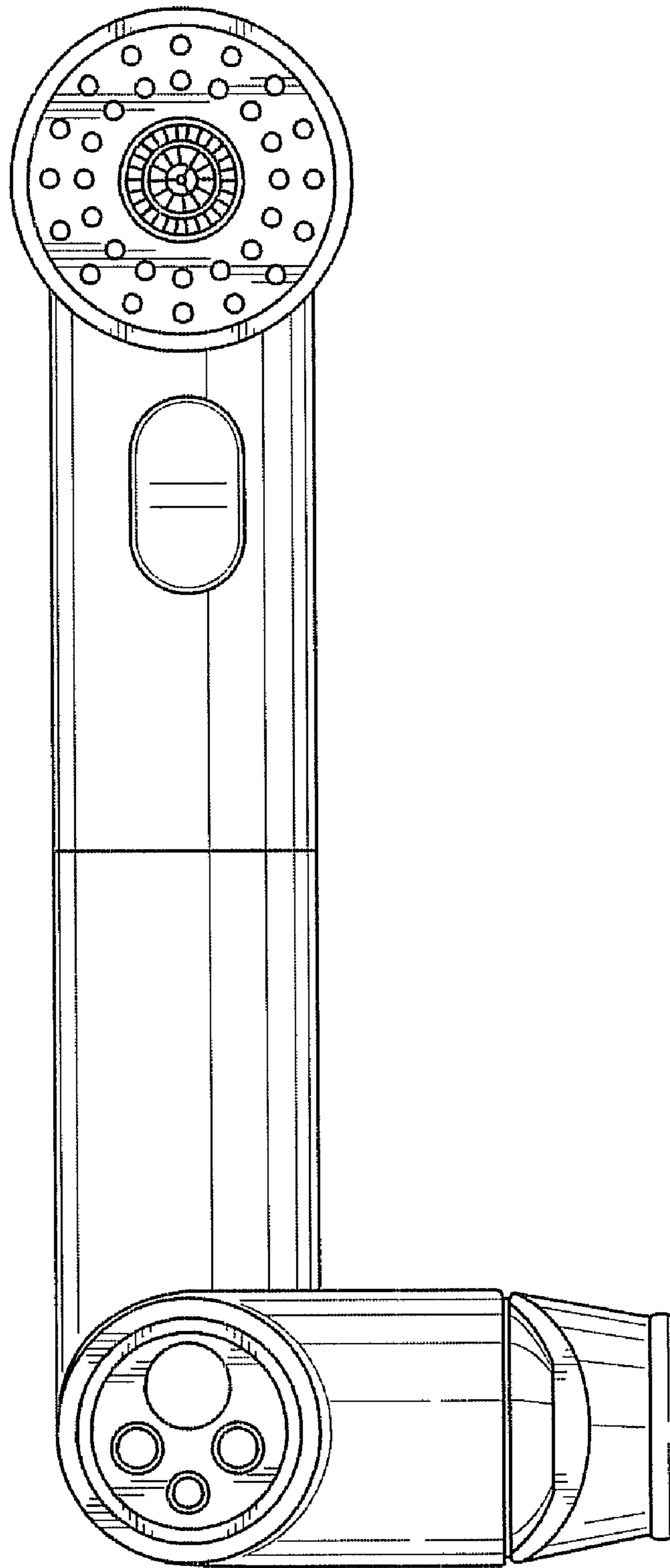


**FIG. 5**



**FIG. 6**





**FIG. 7**