



US00D607542S

(12) **United States Design Patent**
Flowers et al.

(10) **Patent No.:** **US D607,542 S**
(45) **Date of Patent:** **** Jan. 5, 2010**

(54) **SHOWER HANDLE**

(75) Inventors: **Paul Flowers**, Duesseldorf (DE);
Patrick Speck, Duesseldorf (DE)

(73) Assignee: **Grohe AG**, Hemer (DE)

(**) Term: **14 Years**

(21) Appl. No.: **29/329,101**

(22) Filed: **Dec. 9, 2008**

(30) **Foreign Application Priority Data**

Jun. 25, 2008 (EM) 000958665-0011

(51) **LOC (9) Cl.** **23-01**

(52) **U.S. Cl.** **D23/252**

(58) **Field of Classification Search** D23/238-243,
D23/250-254, 249; 4/675-677; 137/801,
137/359; 16/110.1, 402; D8/300, 307-310,
D8/350-358; D6/525, 546, 550, 800

See application file for complete search history.

(56) **References Cited**

U.S. PATENT DOCUMENTS

D311,321 S * 10/1990 Jans D8/308
D417,260 S * 11/1999 Mullenmeister D23/254
D458,348 S * 6/2002 Mullenmeister D23/254
D473,632 S * 4/2003 Marshall D23/254

* cited by examiner

Primary Examiner—Robert A Delehanty

(74) *Attorney, Agent, or Firm*—Muncy, Geissler, Olds & Lowe, PLLC

(57) **CLAIM**

The ornamental design of a shower handle, as shown and described.

DESCRIPTION

FIG. 1 is a perspective view of a shower handle according to a first embodiment of the present invention;

FIG. 2 is a front elevational view of the shower handle of FIG. 1;

FIG. 3 is a left side elevational view of the shower handle of FIG. 1;

FIG. 4 is right side elevational view of the shower handle of FIG. 1;

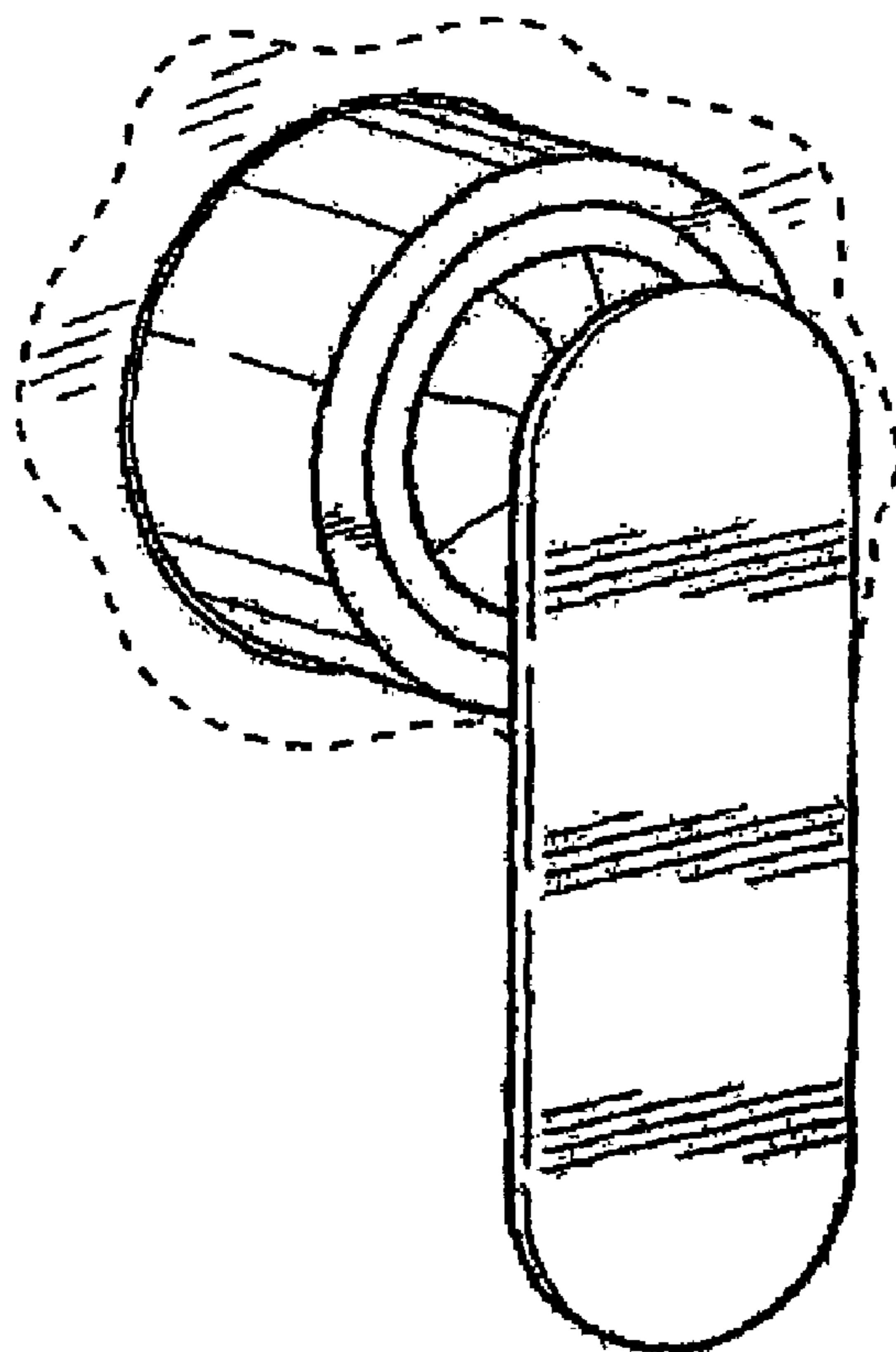
FIG. 5 is a top plan view of the shower handle of FIG. 1;

FIG. 6 is a bottom plan view of the shower handle of FIG. 1; and,

FIG. 7 is a rear elevational view of the shower handle of FIG. 1.

The dashed lines illustrate environment that does not form a part of the present invention, and no claim is made to the material illustrated with dashed lines.

1 Claim, 6 Drawing Sheets



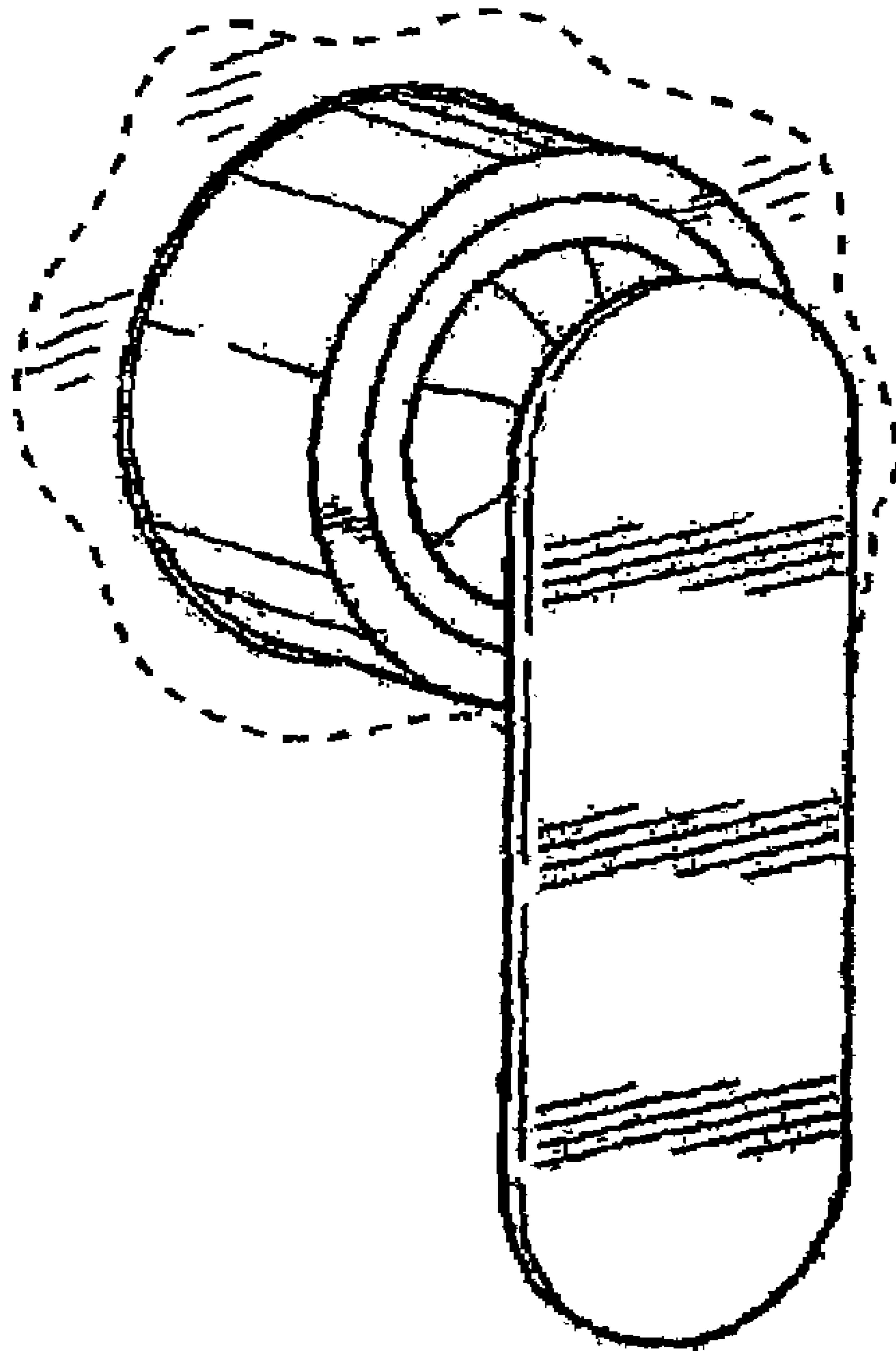


FIG. 1

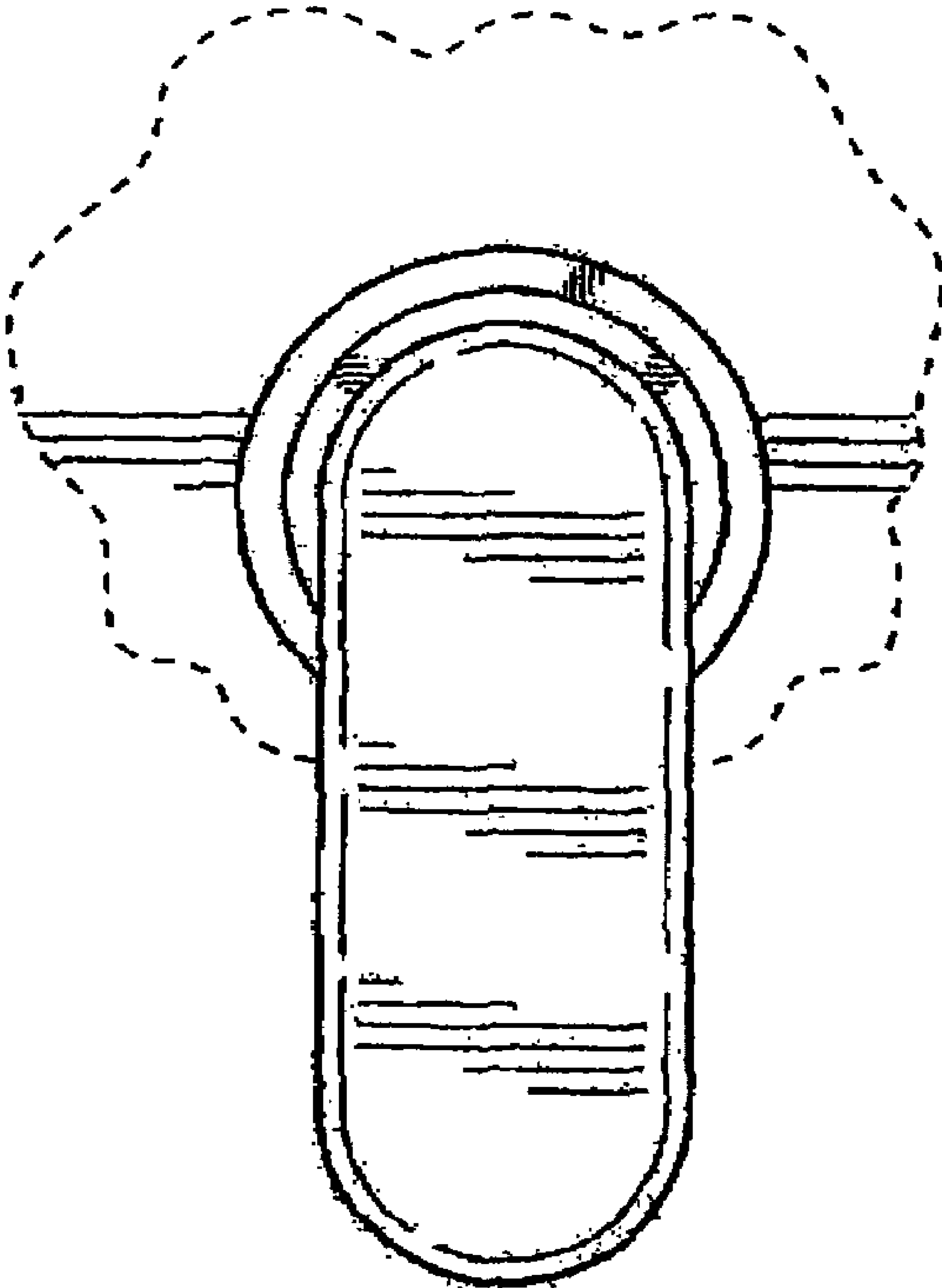


FIG. 2

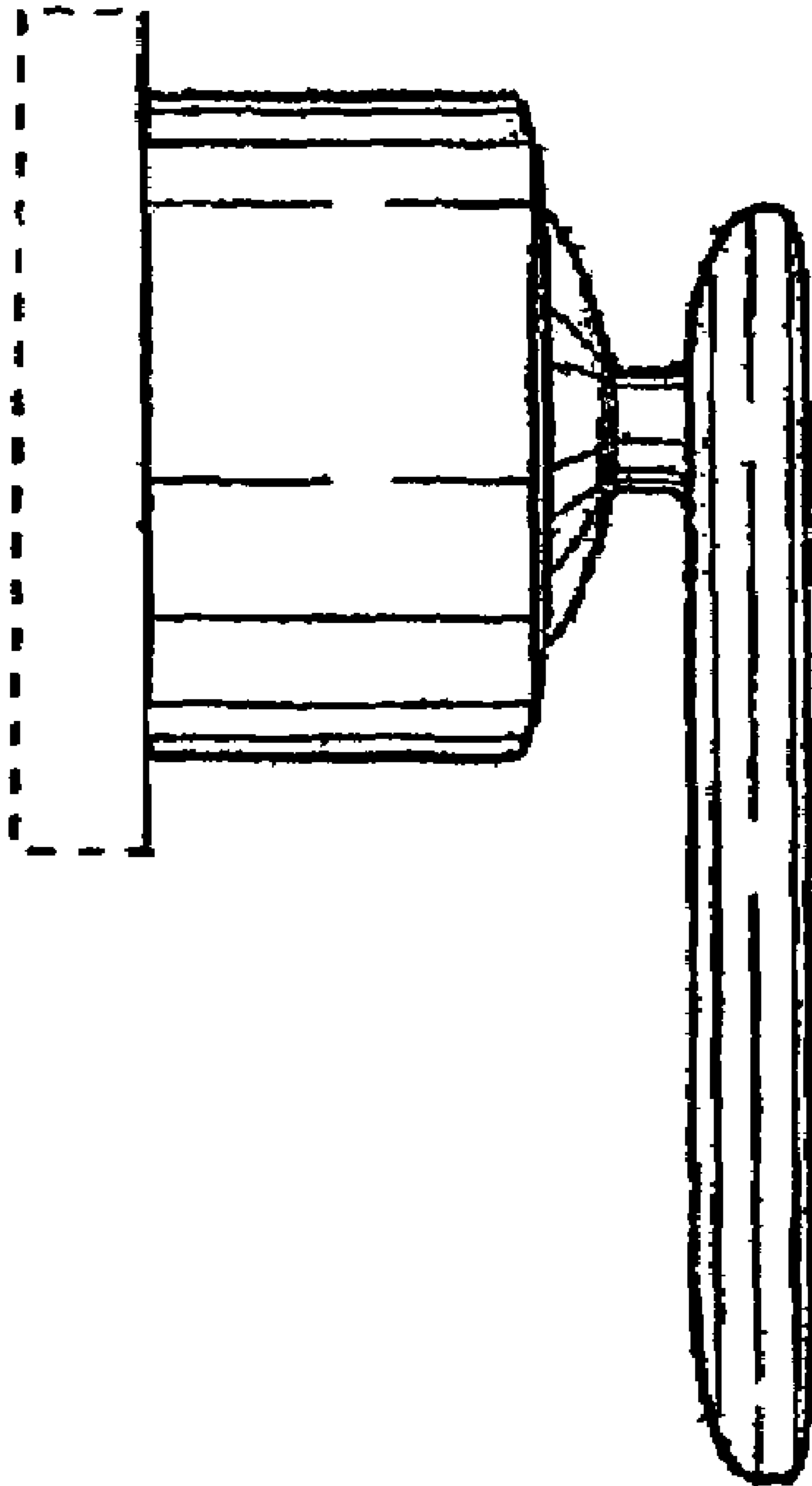


FIG. 3

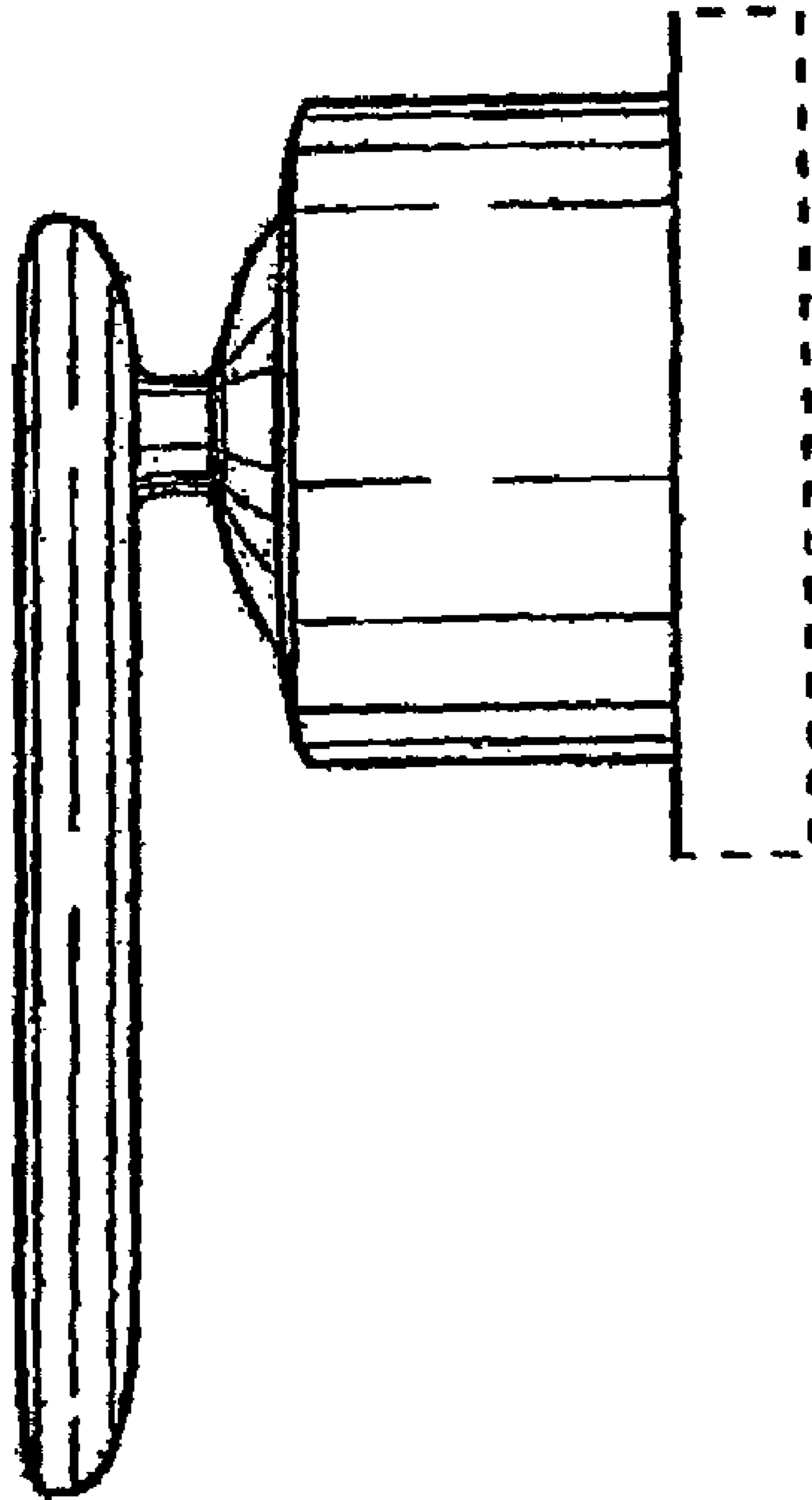


FIG. 4

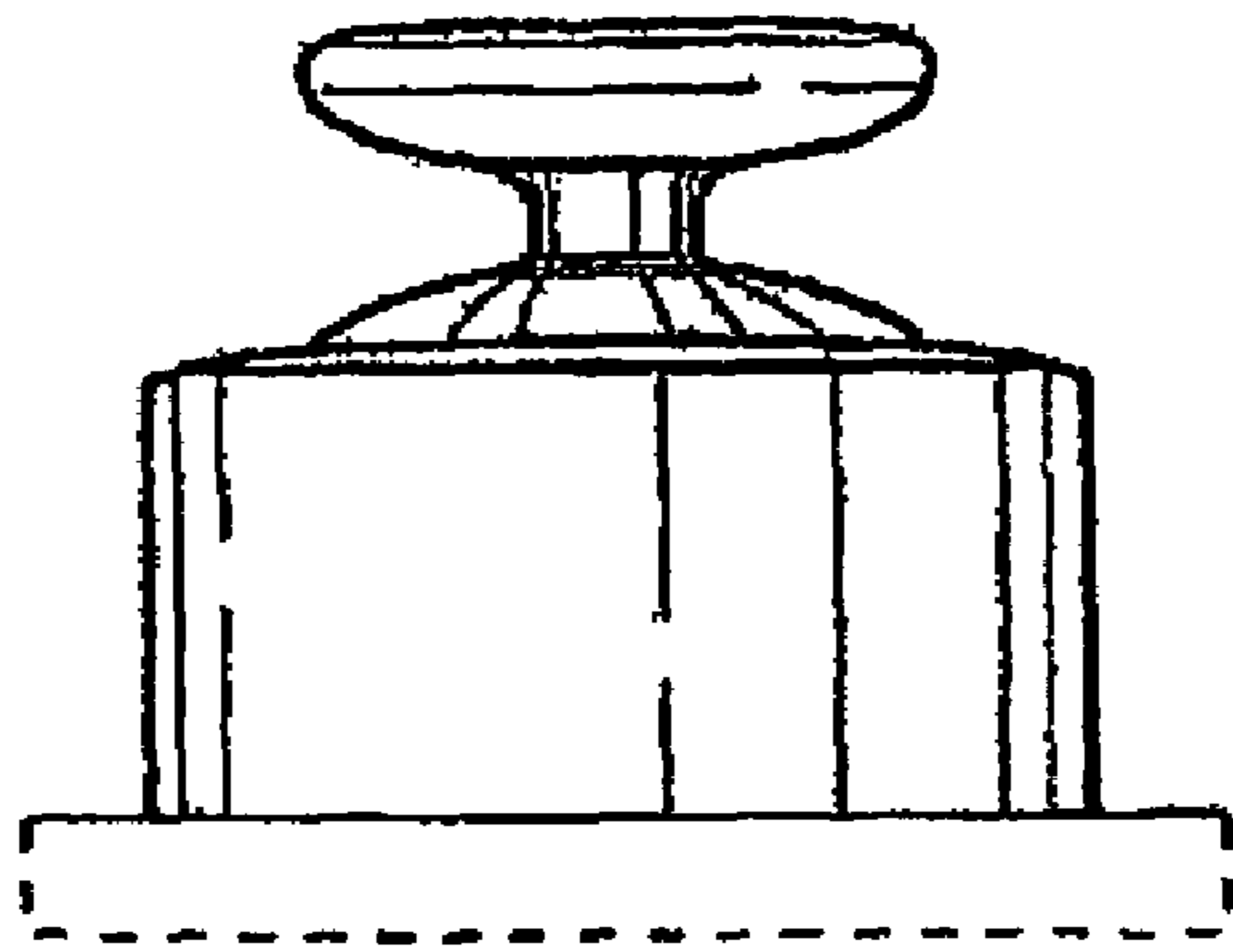


FIG. 5

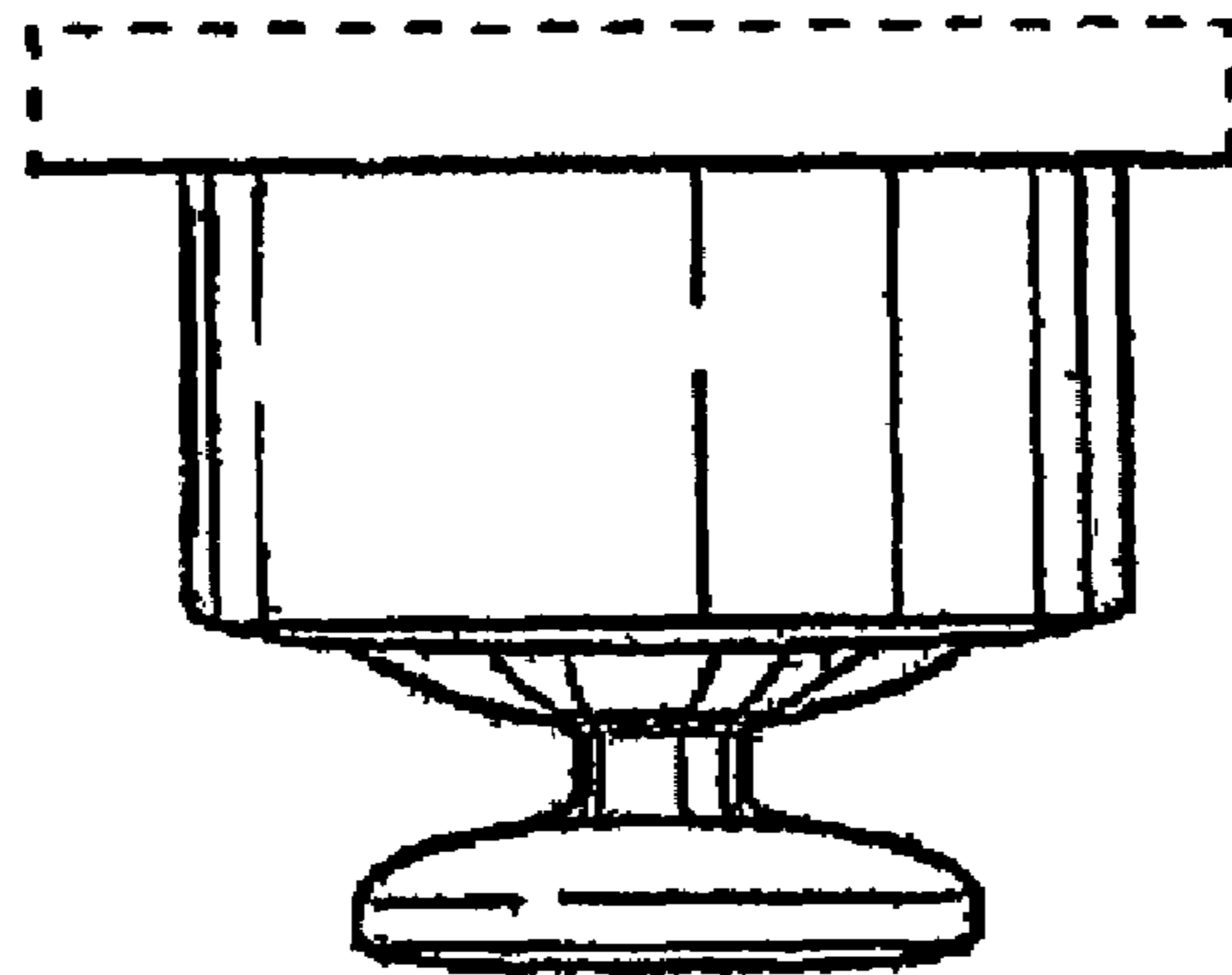


FIG. 6

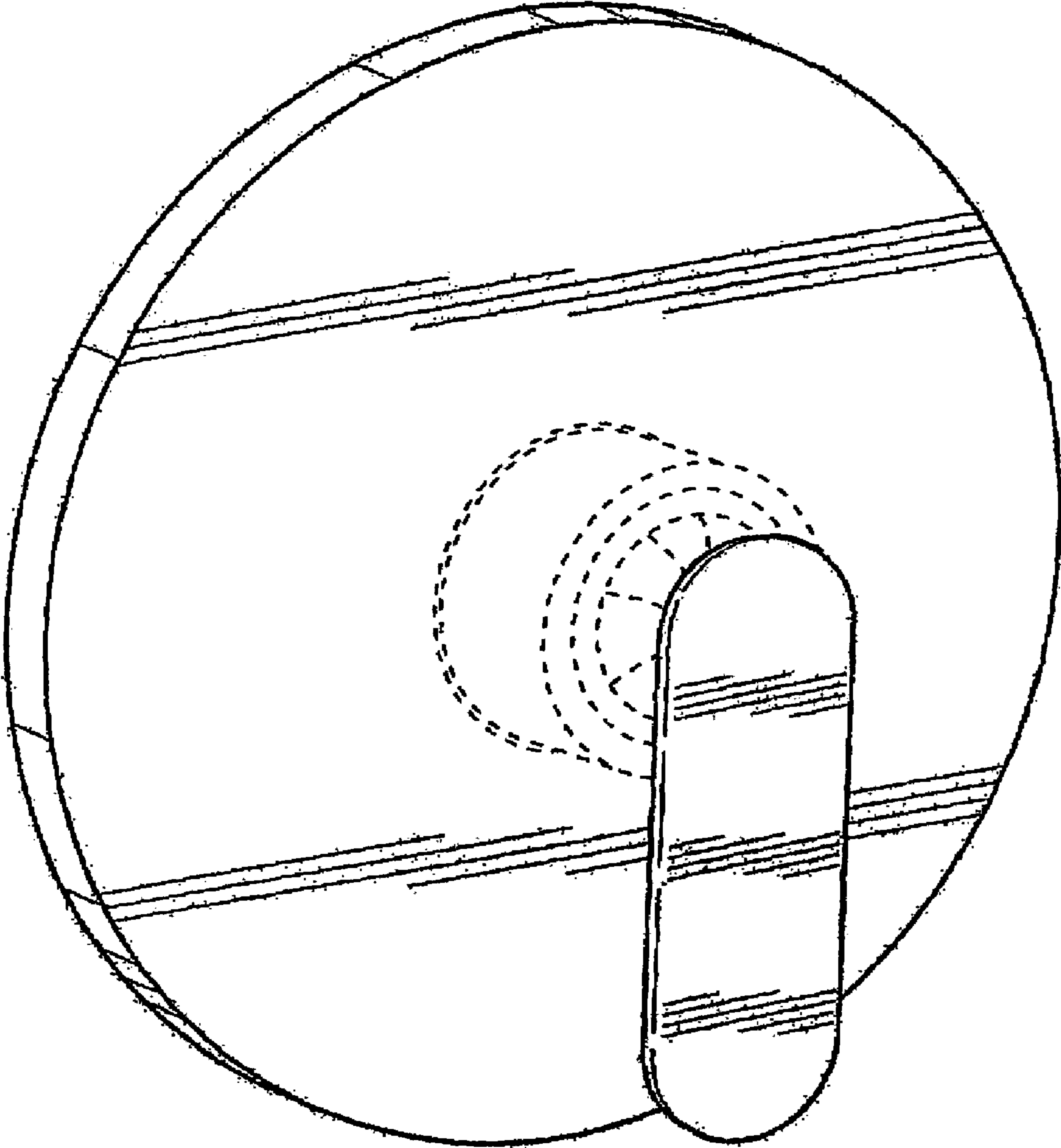


FIG. 7