



US00D607539S

(12) **United States Design Patent**
Matsumoto

(10) **Patent No.:** **US D607,539 S**
(45) **Date of Patent:** **** *Jan. 5, 2010**

(54) **ELECTROMAGNETIC VALVE**

D564,628 S * 3/2008 Miyazoe et al. D23/233

(75) Inventor: **Takumi Matsumoto**, Tsukubamirai (JP)

(73) Assignee: **SMC Corporation**, Chiyoda-ku, Tokyo (JP)

(**) Term: **14 Years**

(21) Appl. No.: **29/312,306**

(22) Filed: **Oct. 14, 2008**

(30) **Foreign Application Priority Data**

Apr. 18, 2008 (JP) 2008-010118

(51) **LOC (9) Cl.** **23-01**

(52) **U.S. Cl.** **D23/233**

(58) **Field of Classification Search** D23/233-237,
D23/244-249; D15/5, 7, 199; 137/554,
137/557, 560, 882, 884, 343, 625.64, 269,
137/271; 251/12, 130, 129.04, 219, 331;
4/305

See application file for complete search history.

(56) **References Cited**

U.S. PATENT DOCUMENTS

D524,910 S * 7/2006 Matsumoto et al. D23/233
D533,255 S * 12/2006 Miyazoe et al. D23/233
D544,577 S * 6/2007 Matsumoto et al. D23/233
D544,578 S * 6/2007 Matsumoto et al. D23/233
D546,420 S * 7/2007 Matsumoto et al. D23/233
7,246,863 B2 * 7/2007 Otsuka 303/119.3
7,273,206 B2 * 9/2007 Sato et al. 251/129.15

OTHER PUBLICATIONS

Japanese Notice of reason for refusal, dated Dec. 19, 2009.
"89 All Products" Domestic catalog published by SMC Co., Ltd. on
Sep. 1, 1989 and accepted by the Design Department, Japan Patent
Office on Sep. 11, Solenoid valve on p. 4.

* cited by examiner

Primary Examiner—Cathron C. Brooks

Assistant Examiner—Maurice Stevens

(74) *Attorney, Agent, or Firm*—Yokoi & Co., U.S.A., Inc.;
Peter Ganjian

(57) **CLAIM**

The ornamental design for an electromagnetic valve, as
shown and described.

DESCRIPTION

FIG. 1 shows a front view of an electromagnetic valve show-
ing my new design;

FIG. 2 shows a rear view thereof;

FIG. 3 shows a right side view thereof;

FIG. 4 shows a left side view thereof;

FIG. 5 shows a top view thereof;

FIG. 6 shows a bottom view thereof;

FIG. 7 shows a top, rear and left side perspective view thereof;
and,

FIG. 8 shows a bottom, front and right side perspective view
thereof.

1 Claim, 8 Drawing Sheets

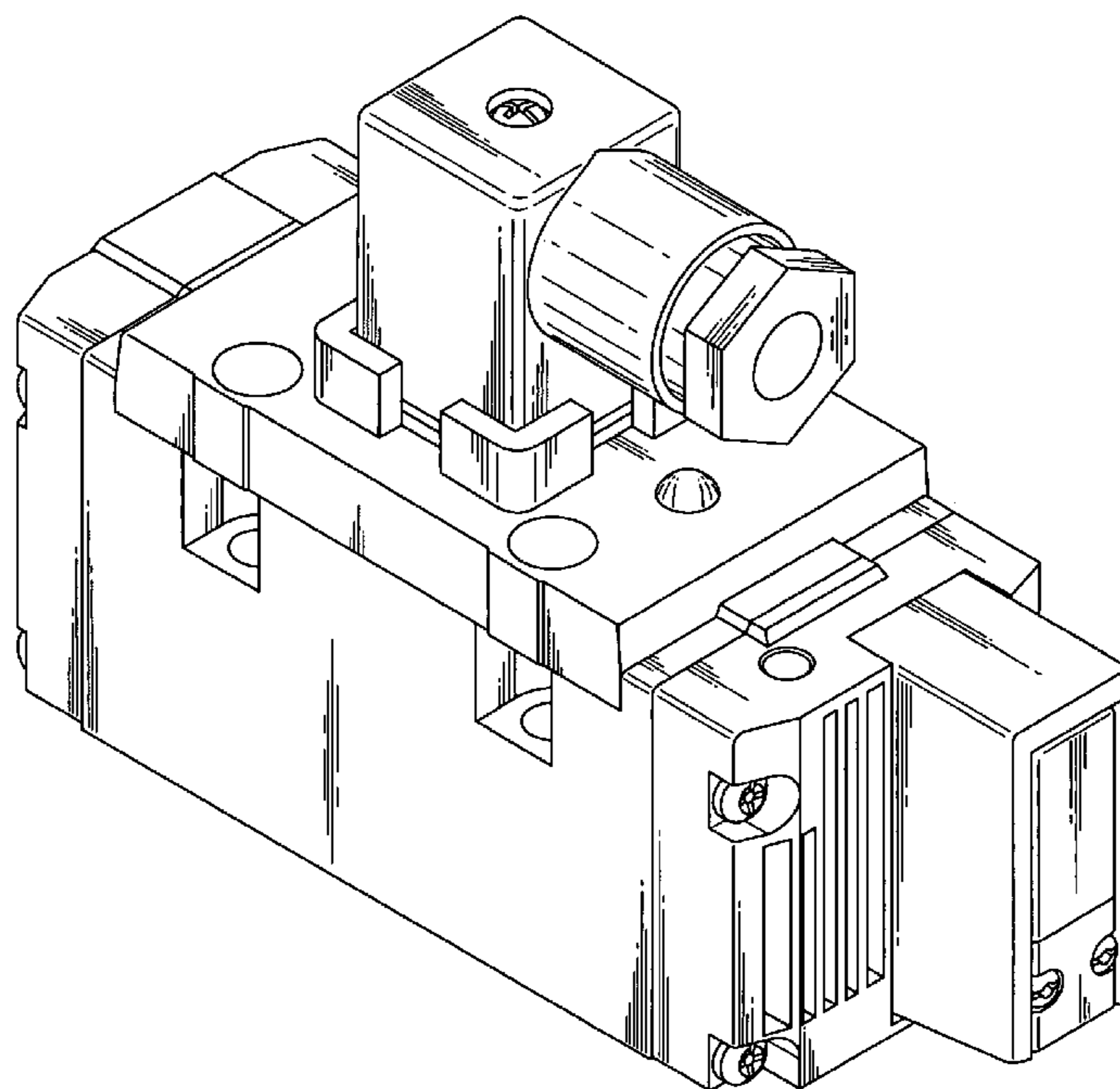


FIG. 1

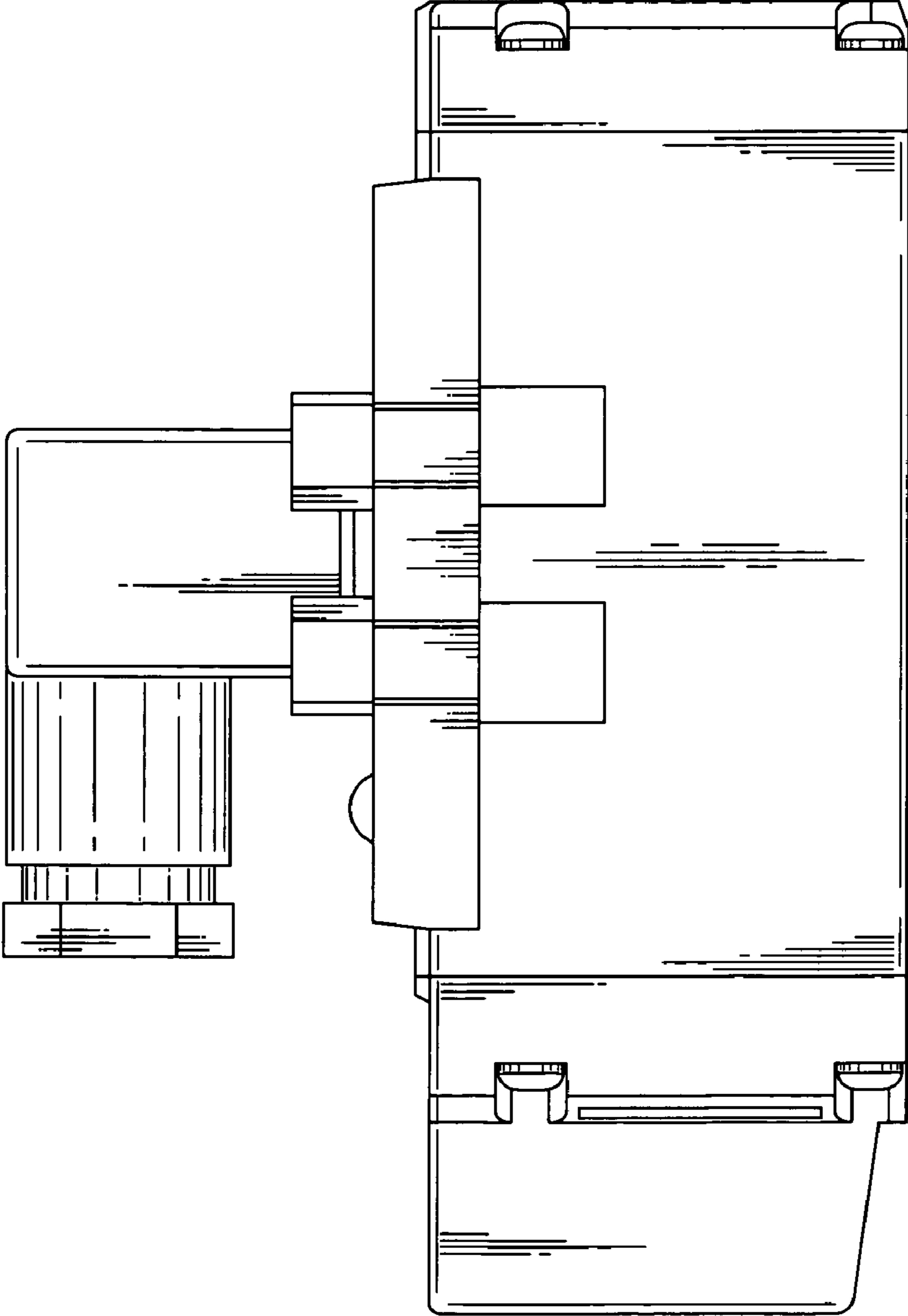


FIG. 2

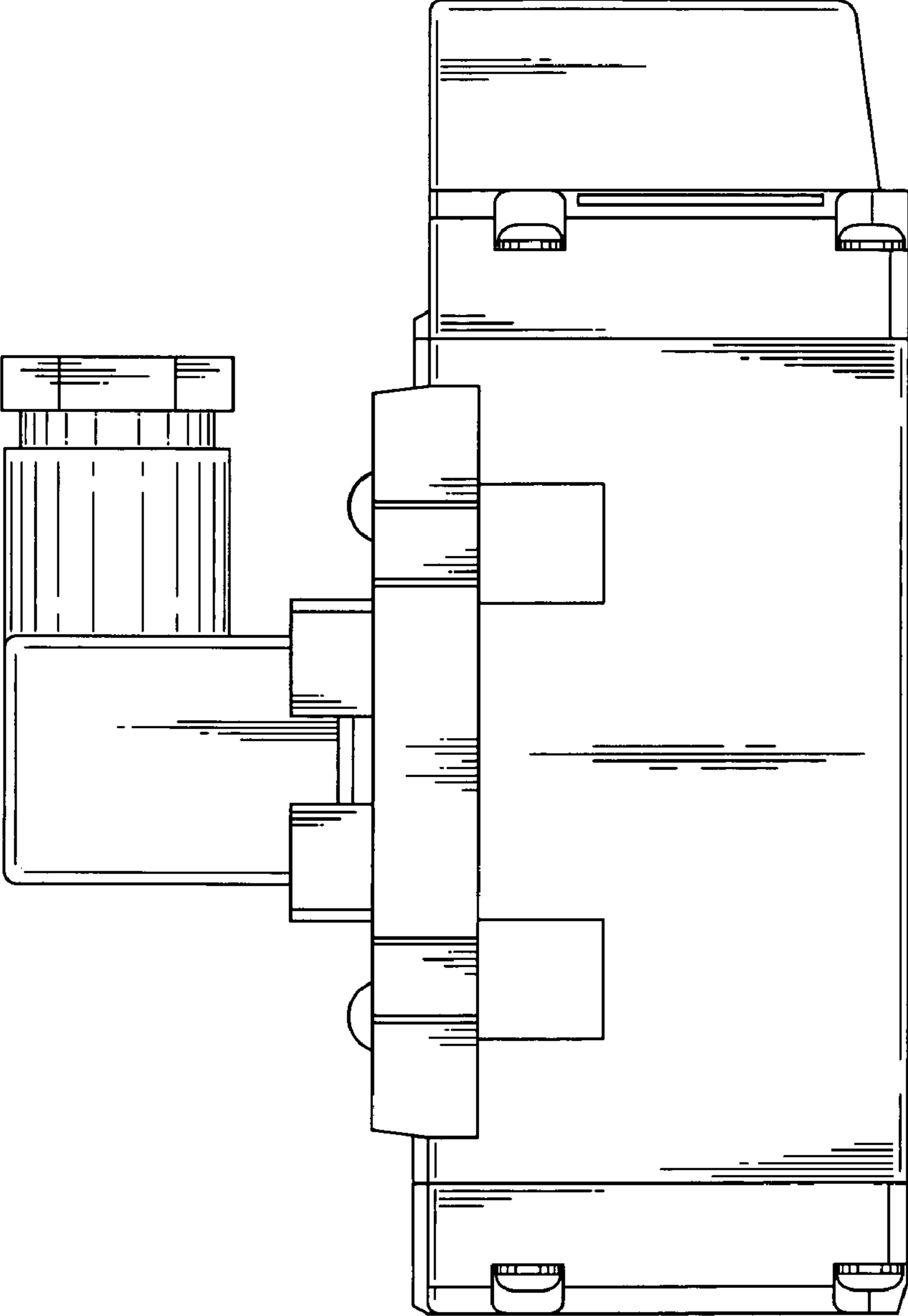


FIG. 3

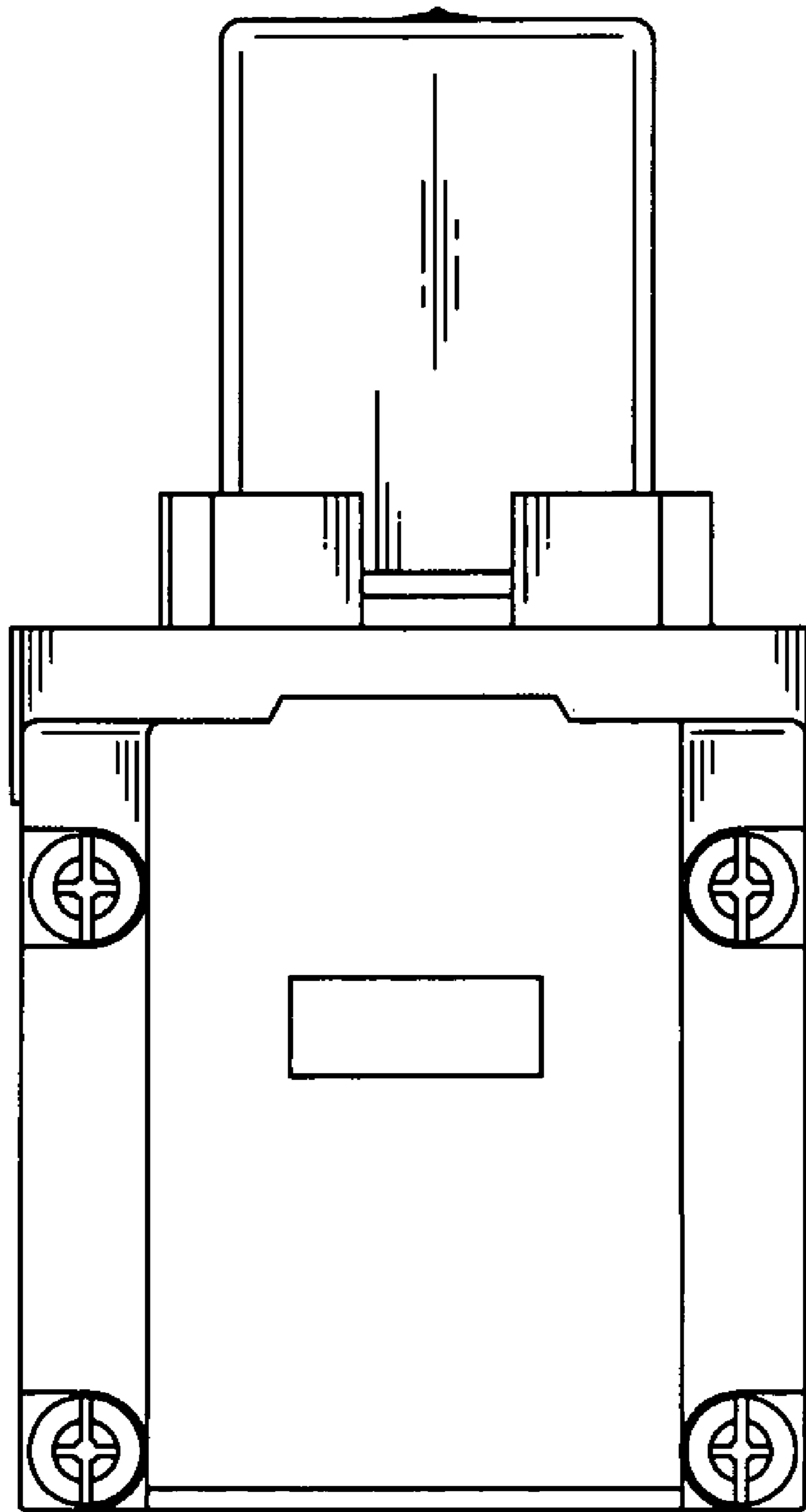


FIG. 4

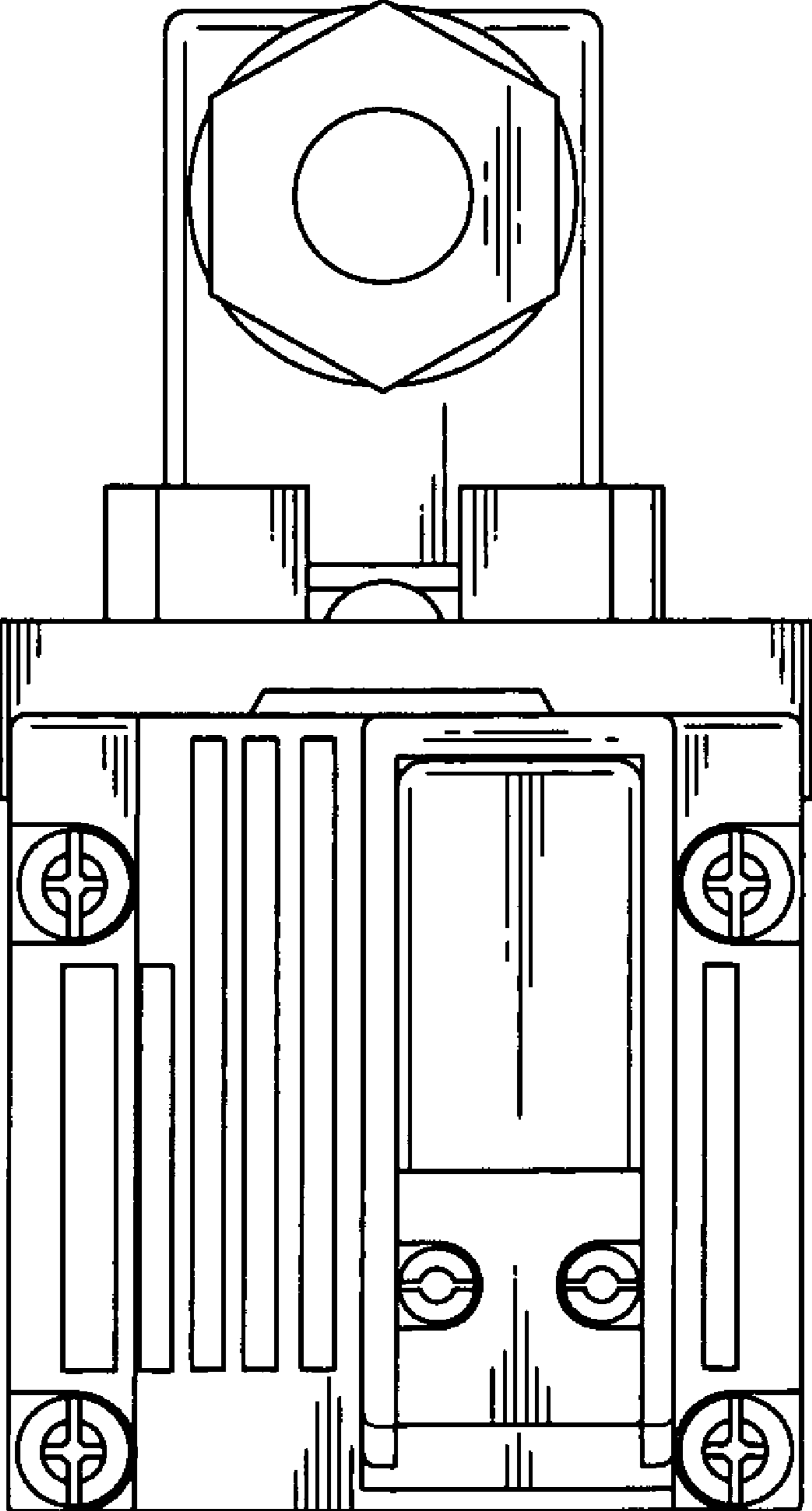


FIG. 5

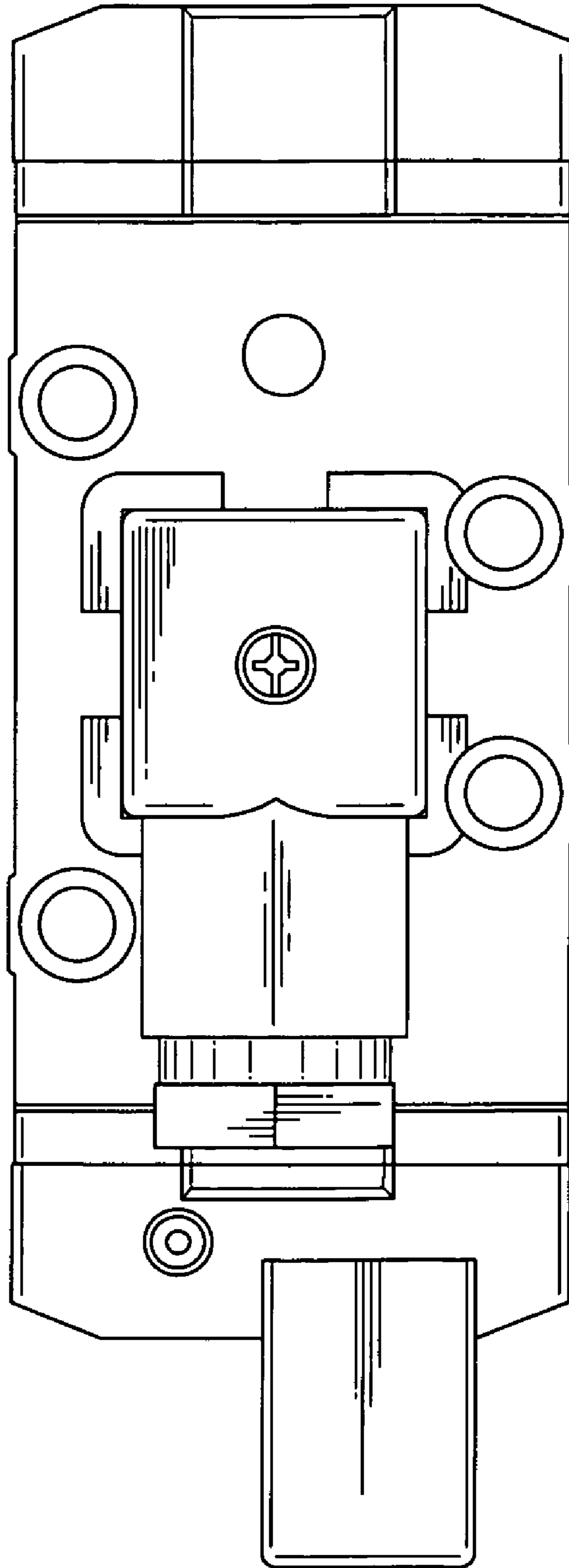


FIG. 6

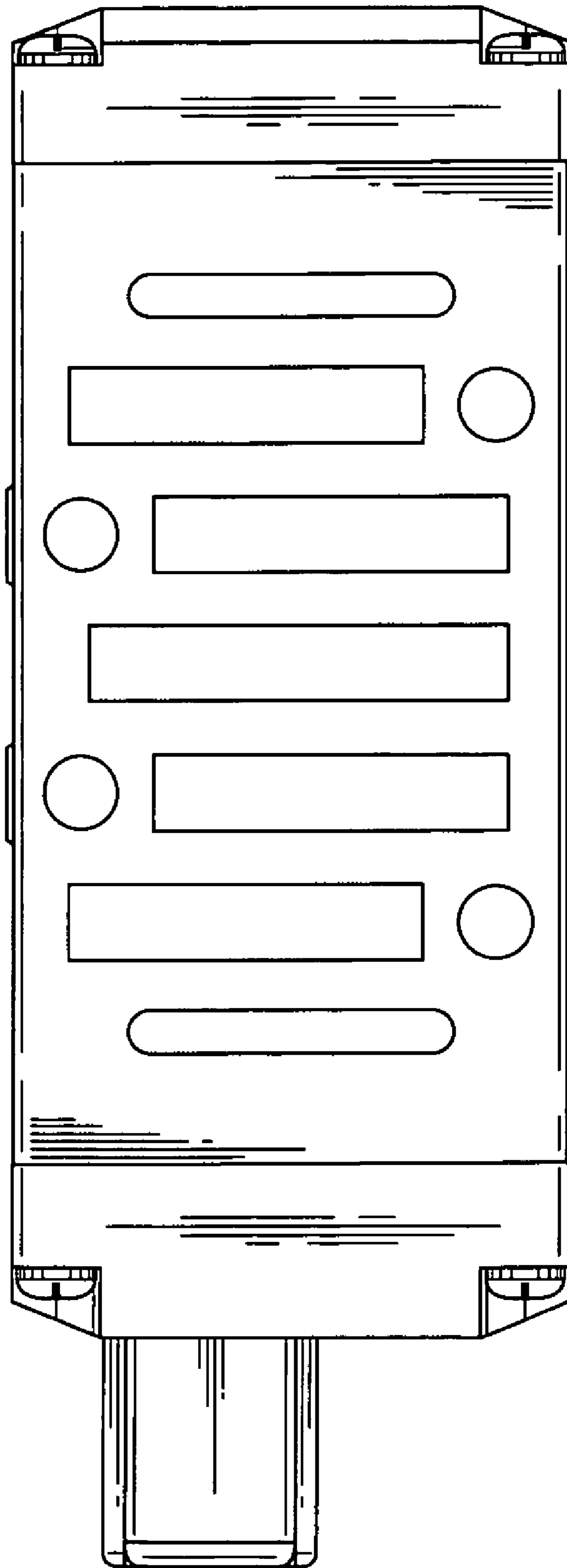


FIG. 7

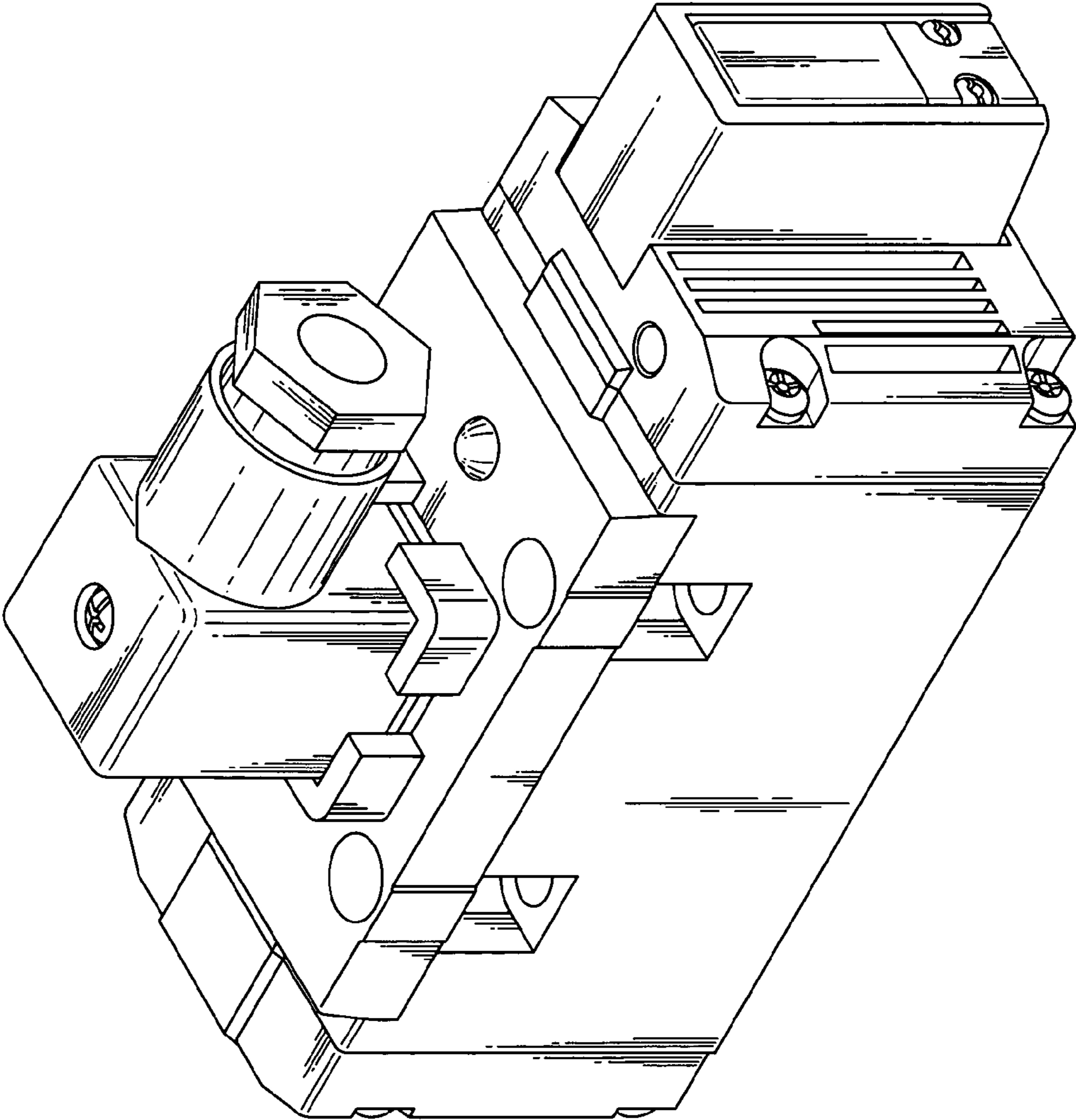


FIG. 8

