



US00D607538S

(12) **United States Design Patent**
Nun

(10) **Patent No.:** **US D607,538 S**
(45) **Date of Patent:** **** Jan. 5, 2010**

(54) **FILTER VALVE**

(75) Inventor: **Itamar Ben Nun**, Hod Hasharon (IL)

(73) Assignee: **Bermad Ltd (Partnership) Israel**,
Kibbutz Avron (IL)

(**) Term: **14 Years**

(21) Appl. No.: **29/274,664**

(22) Filed: **May 14, 2007**

(30) **Foreign Application Priority Data**

Mar. 22, 2007 (IL) 43771

(51) **LOC (9) Cl.** **23-01**

(52) **U.S. Cl.** **D23/233**

(58) **Field of Classification Search** D23/200,
D23/204–210, 233, 235, 238, 239, 249; 137/512–513,
137/625.18, 549; 210/94, 97, 100, 104–111,
210/130, 131, 133, 136, 420, 428, 430, 440,
210/444, 446–449

See application file for complete search history.

(56) **References Cited**

U.S. PATENT DOCUMENTS

1,407,897 A * 2/1922 Steiner 362/422
1,588,620 A * 6/1926 Ryan 210/292
2,430,578 A * 11/1947 Matlock 210/130
2,563,205 A * 8/1951 Barnebl 210/390
2,797,707 A * 7/1957 Hursh 137/625.46

3,315,808 A * 4/1967 Hopkins 210/130
3,400,821 A * 9/1968 Singleton 210/136
3,855,128 A * 12/1974 Shaltz et al. 210/130
3,984,318 A * 10/1976 Bumb 210/130
4,697,617 A * 10/1987 Bourke et al. 137/549
4,861,466 A * 8/1989 Leoncavallo et al. 210/120
D311,768 S * 10/1990 Woodruff D23/209
5,250,176 A * 10/1993 Daniel 210/130
5,390,701 A * 2/1995 Lessley et al. 137/549
5,989,413 A * 11/1999 Jauss et al. 210/109
7,029,575 B1 * 4/2006 Baumann et al. 210/130

* cited by examiner

Primary Examiner—Cathron C. Brooks

Assistant Examiner—Maurice Stevens

(74) *Attorney, Agent, or Firm*—Mark M. Friedman

(57) **CLAIM**

The ornamental design for a filter valve, as shown and described.

DESCRIPTION

FIG. 1 is a top plan view, showing my new design.

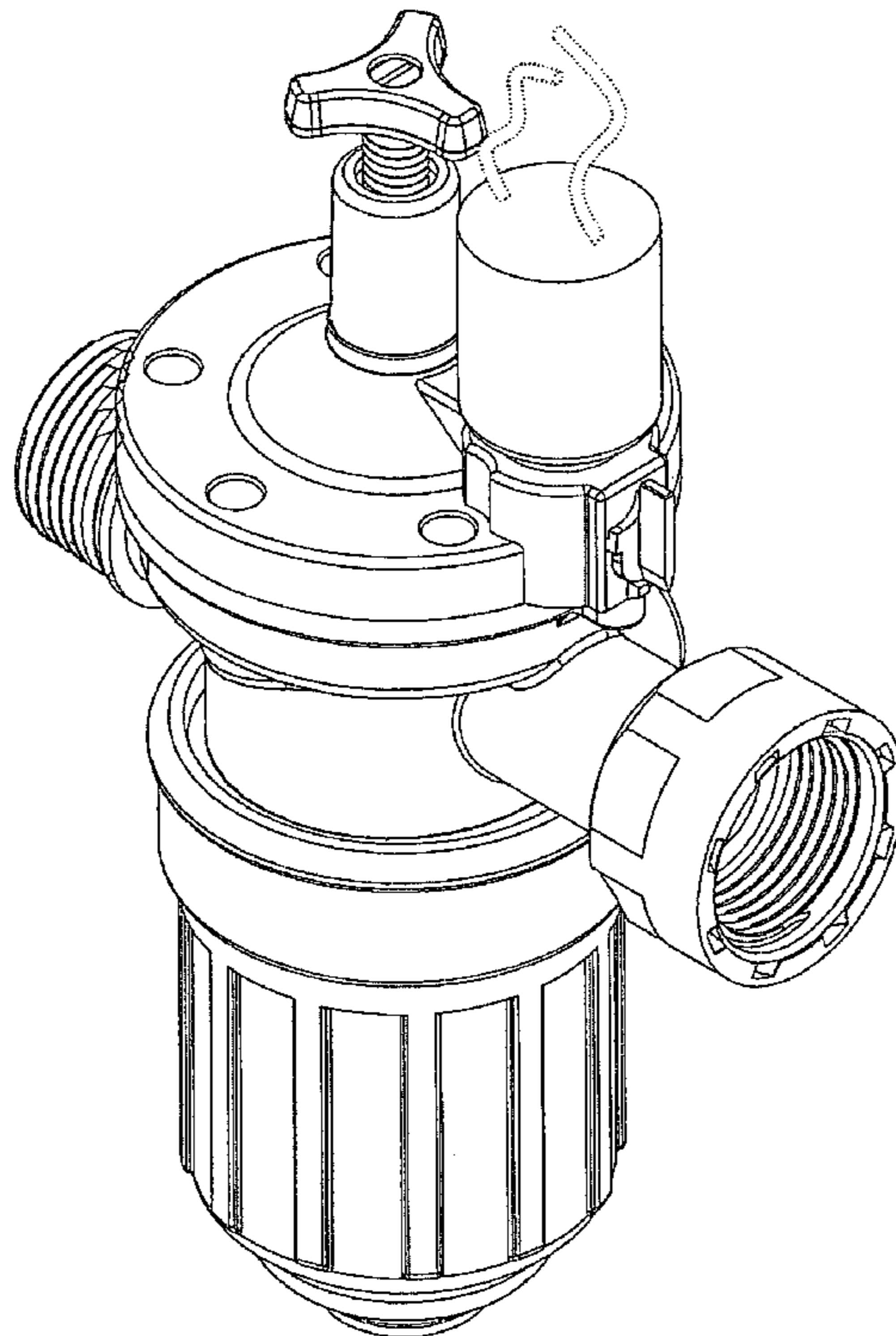
FIG. 2 is a front view thereof.

FIG. 3 is a perspective view thereof; and,

FIG. 4 is a side view thereof.

The broken lines showing of unclaimed portions of a filter valve form no part of the claimed design.

1 Claim, 4 Drawing Sheets



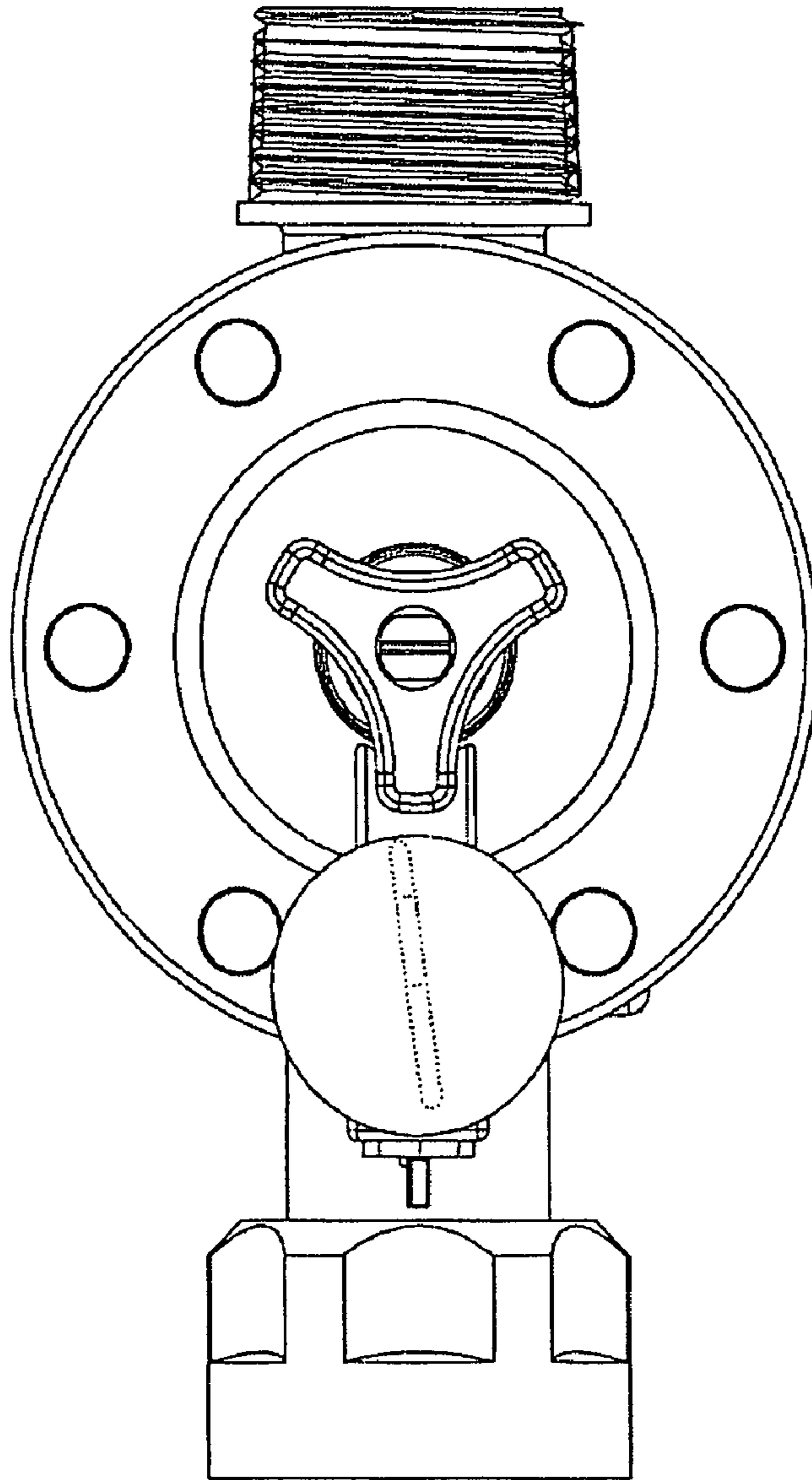


Fig 1.

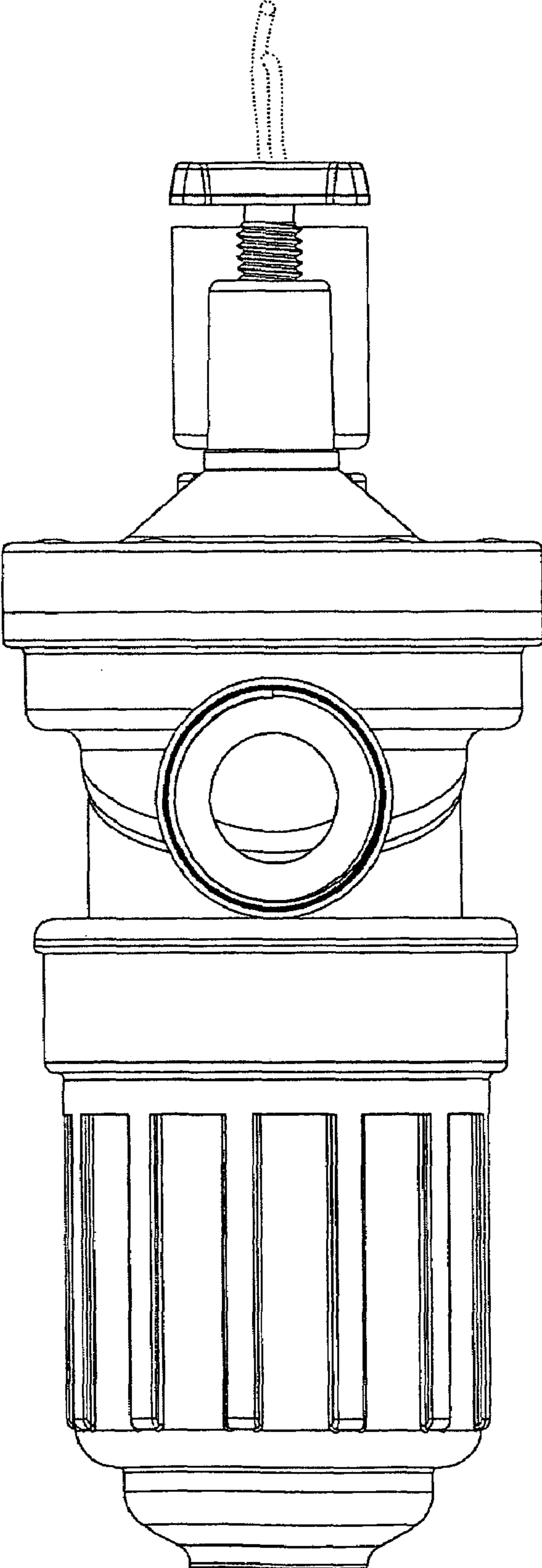


Fig 2.

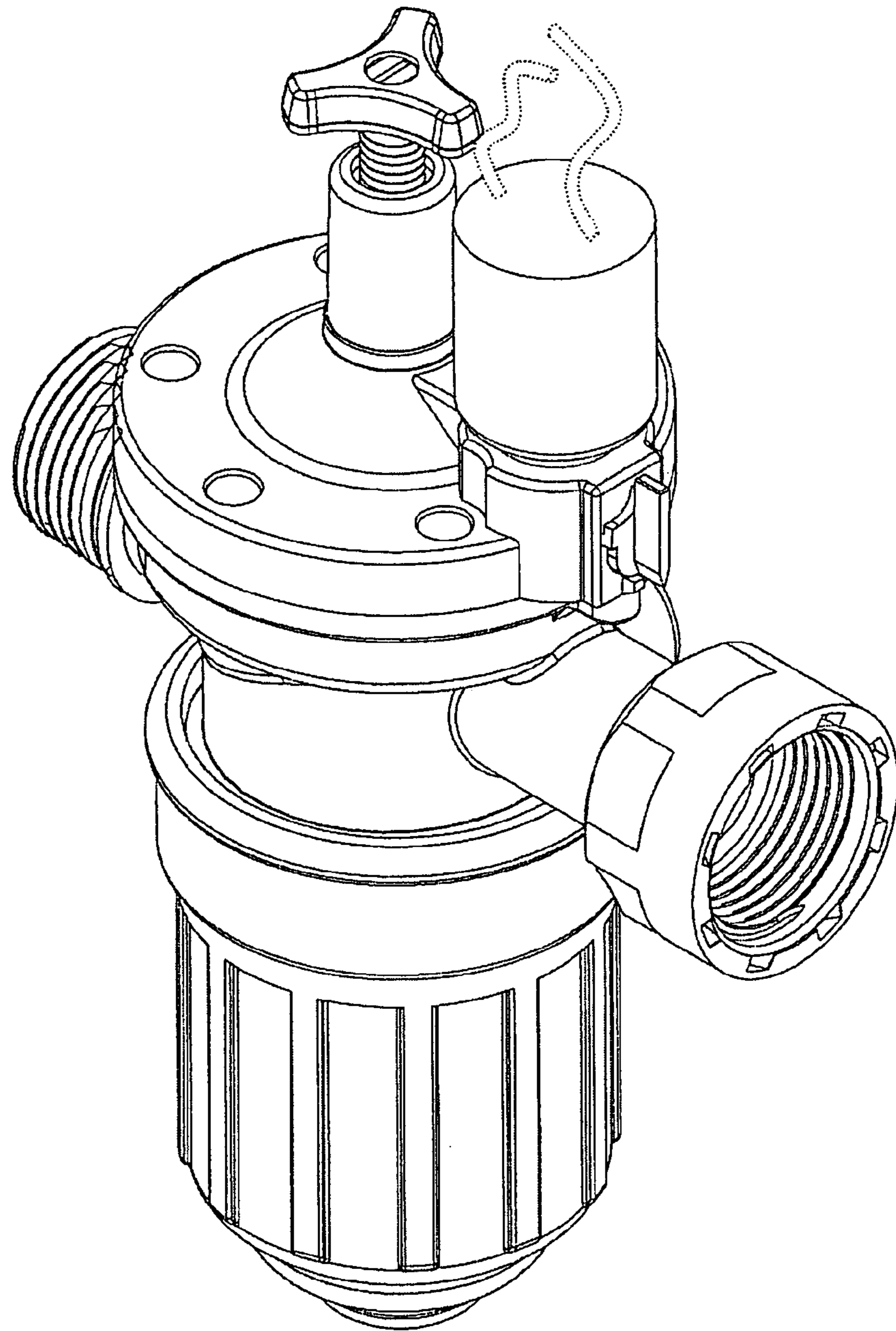


Fig 3.

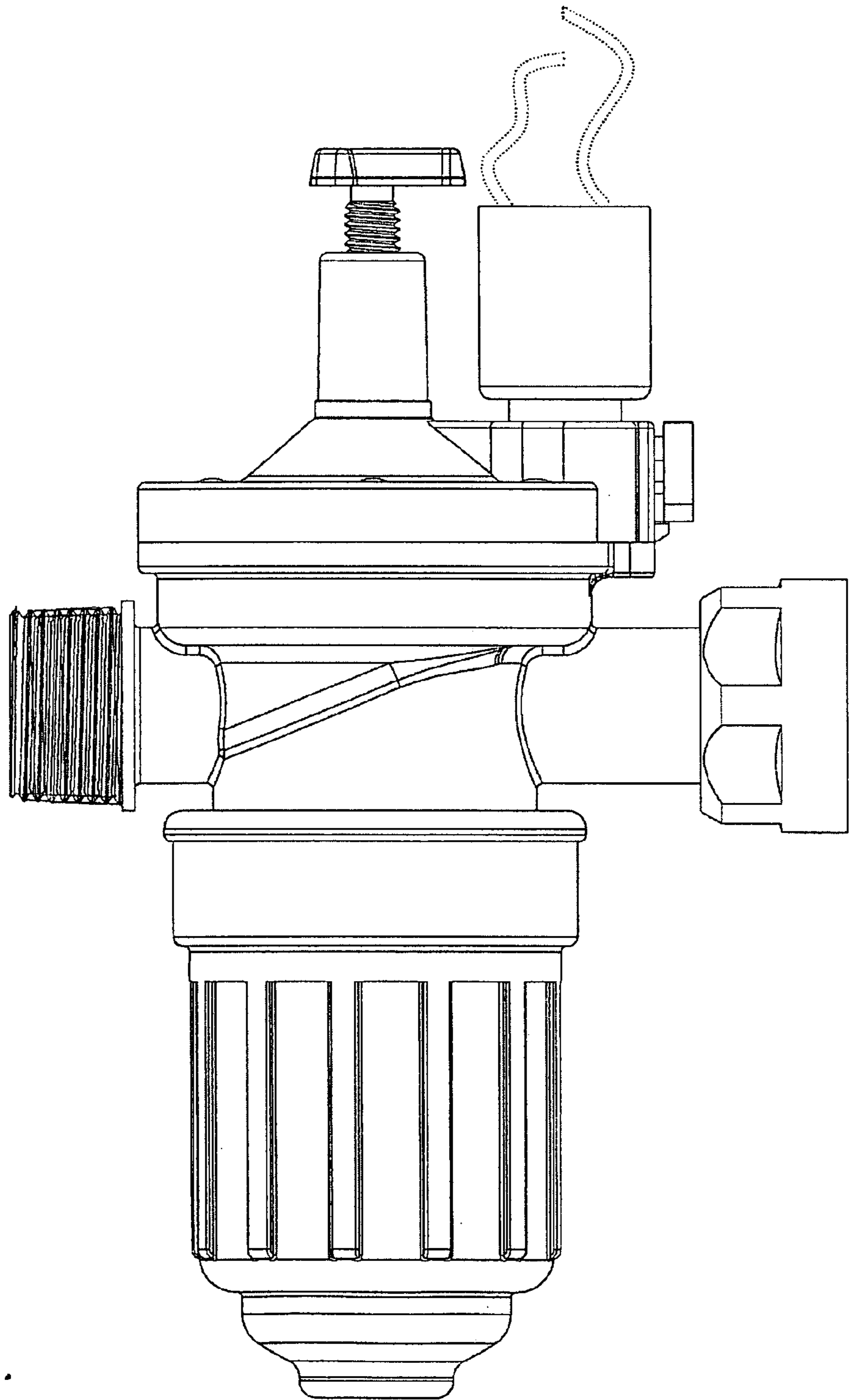


Fig 4.