

US00D607537S

(12) **United States Design Patent**
Enever et al.

(10) **Patent No.:** **US D607,537 S**
(45) **Date of Patent:** **** Jan. 5, 2010**

(54) **REFILL CARTRIDGE**

(57) **CLAIM**

(75) Inventors: **Simon Enever**, Bristol (GB);
Christopher Leonard Padain,
Hoboken, NJ (US); **Thomas Edward**
Walker, Bristol (GB); **Craig Ian**
Wightman, Bristol (GB)

The ornamental design for a refill cartridge, as shown and described.

(73) Assignee: **Reckitt Benckiser Inc.**, Parsippany, NJ
(US)

DESCRIPTION

(**) Term: **14 Years**

FIG. 1 is a perspective view of the front and left side of a first embodiment of the refill cartridge;

(21) Appl. No.: **29/324,763**

FIG. 2 is an elevation view of the front of the first embodiment of the refill cartridge;

(22) Filed: **Sep. 19, 2008**

FIG. 3 is an elevation view of the rear the first embodiment of the refill cartridge;

(51) **LOC (9) Cl.** **23-01**

FIG. 4 is a top view of the first embodiment of the refill cartridge;

(52) **U.S. Cl.** **D23/208**

FIG. 5 is a bottom view of the first embodiment of the refill cartridge;

(58) **Field of Classification Search** D23/207,
D23/208; 4/223, 225.1, 227.1, 231
See application file for complete search history.

FIG. 6 is an elevation view of the left side of the first embodiment of the refill cartridge;

(56) **References Cited**

U.S. PATENT DOCUMENTS

D92,428 S *	6/1934	Saeks	D23/208
D273,607 S *	4/1984	Joyaux et al.	D23/208
D476,056 S *	6/2003	Woolley et al.	D23/208
6,591,431 B2 *	7/2003	Hautmann et al.	4/231
6,895,605 B2 *	5/2005	Pagani	4/231
D508,549 S *	8/2005	Keramidas	D23/208
6,976,277 B2 *	12/2005	Keramidas	4/231
D540,907 S *	4/2007	Liu	D23/208
D573,687 S *	7/2008	Hill	D23/208

FIG. 7 is an elevation view of the right side of the first embodiment of the refill cartridge;

FIG. 8 is a perspective view of the front and left side of a second embodiment of the refill cartridge;

FIG. 9 is an elevation view of the front of the second embodiment of the refill cartridge;

FIG. 10 is an elevation view of the rear the second embodiment of the refill cartridge;

FIG. 11 is a top view of the second embodiment of the refill cartridge;

FIG. 12 is a bottom view of the second embodiment of the refill cartridge;

FIG. 13 is an elevation view of the left side of the second embodiment of the refill cartridge; and,

FIG. 14 is an elevation view of the right side of the second embodiment of the refill cartridge.

The broken line showing of the dispenser in FIGS. 1 and 8 is included for the purpose of illustrating and forms no part of the claimed design.

* cited by examiner

Primary Examiner—Robin V Webster

(74) *Attorney, Agent, or Firm*—Norris, McLaughlin & Marcus

1 Claim, 6 Drawing Sheets

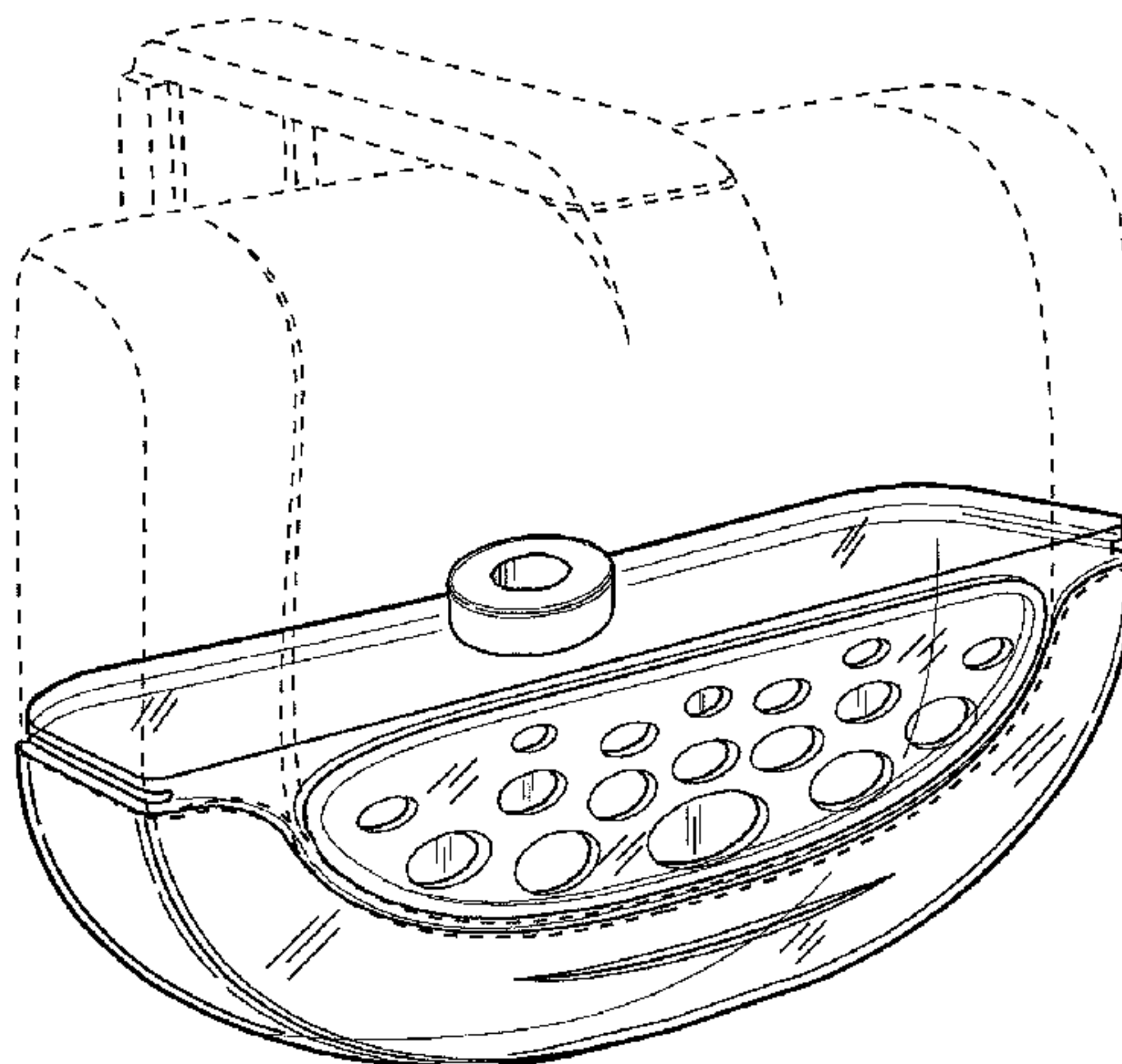


FIG. 1

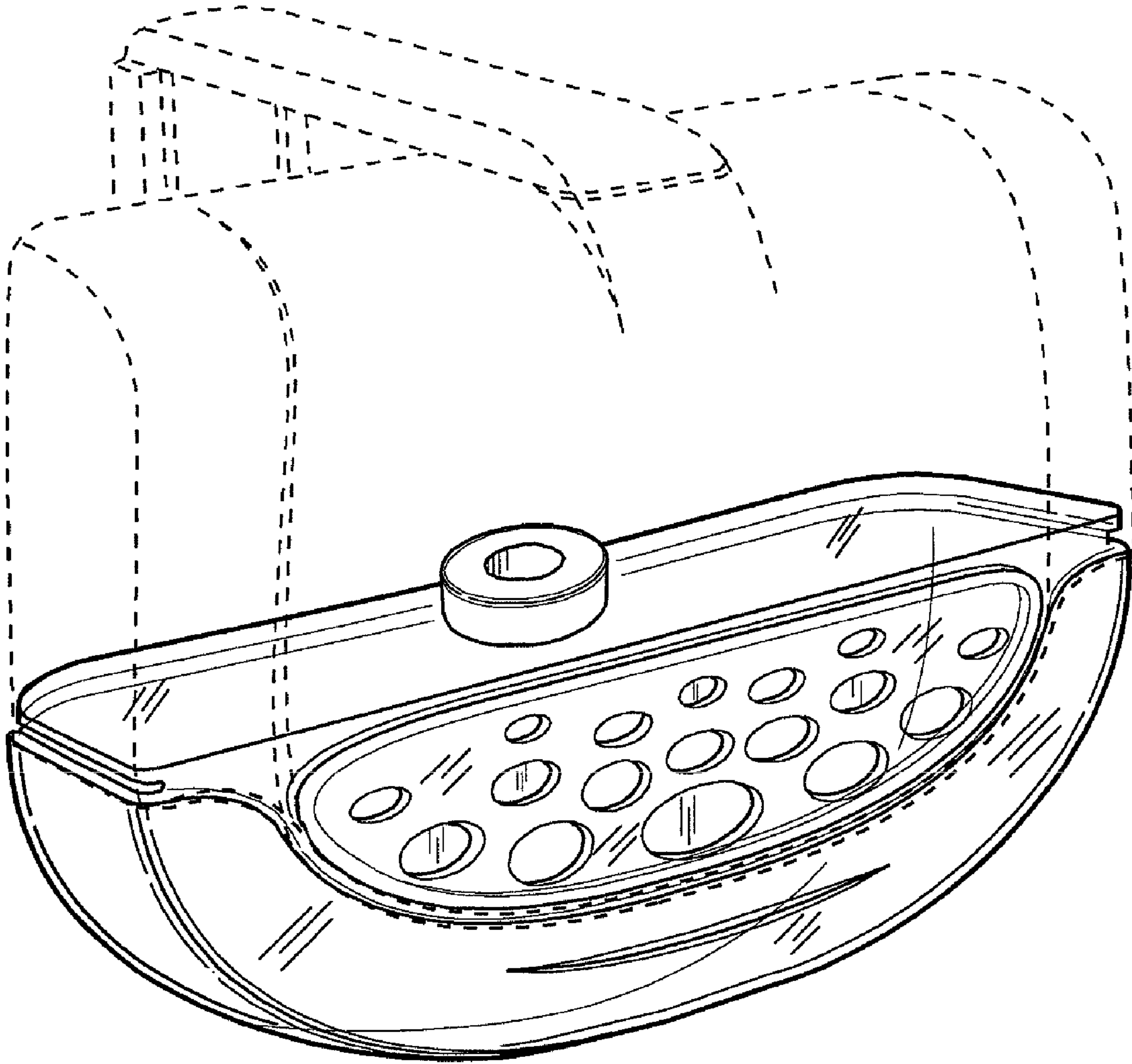


FIG. 2

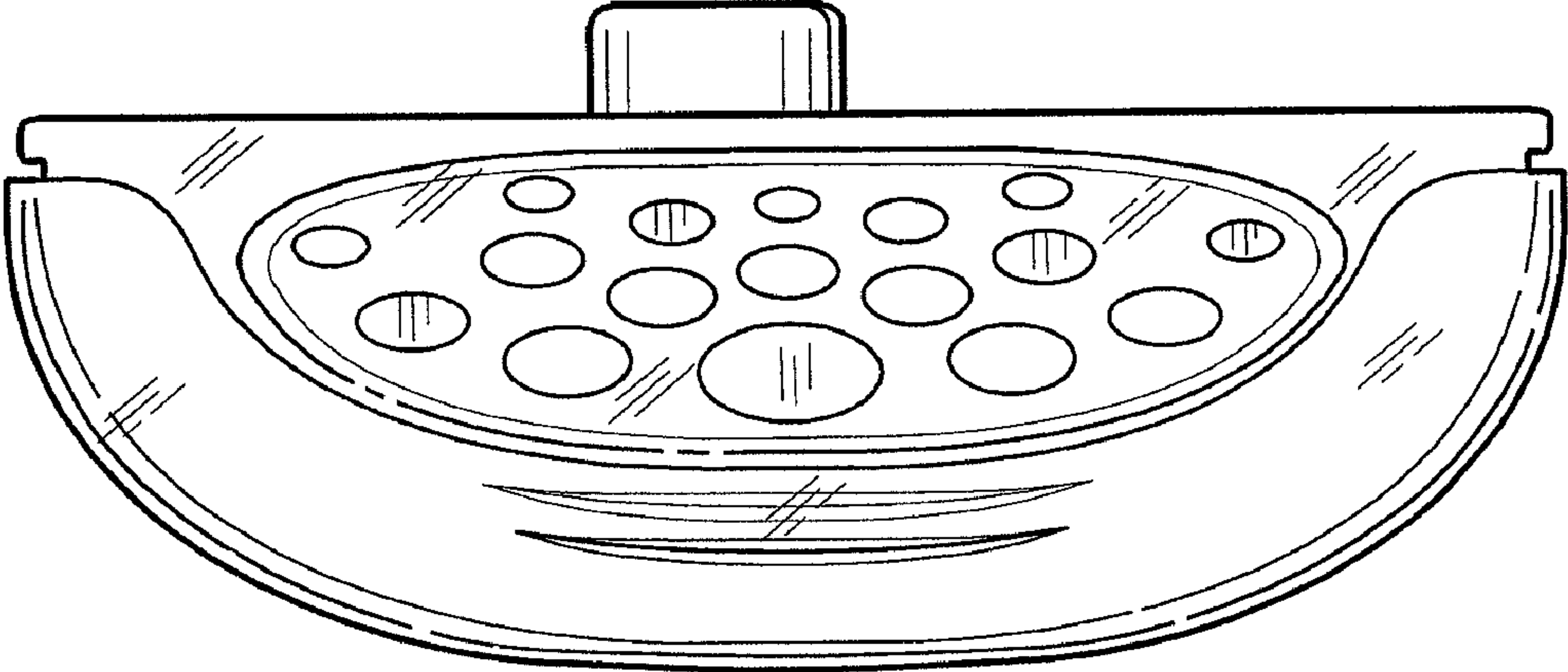


FIG. 3

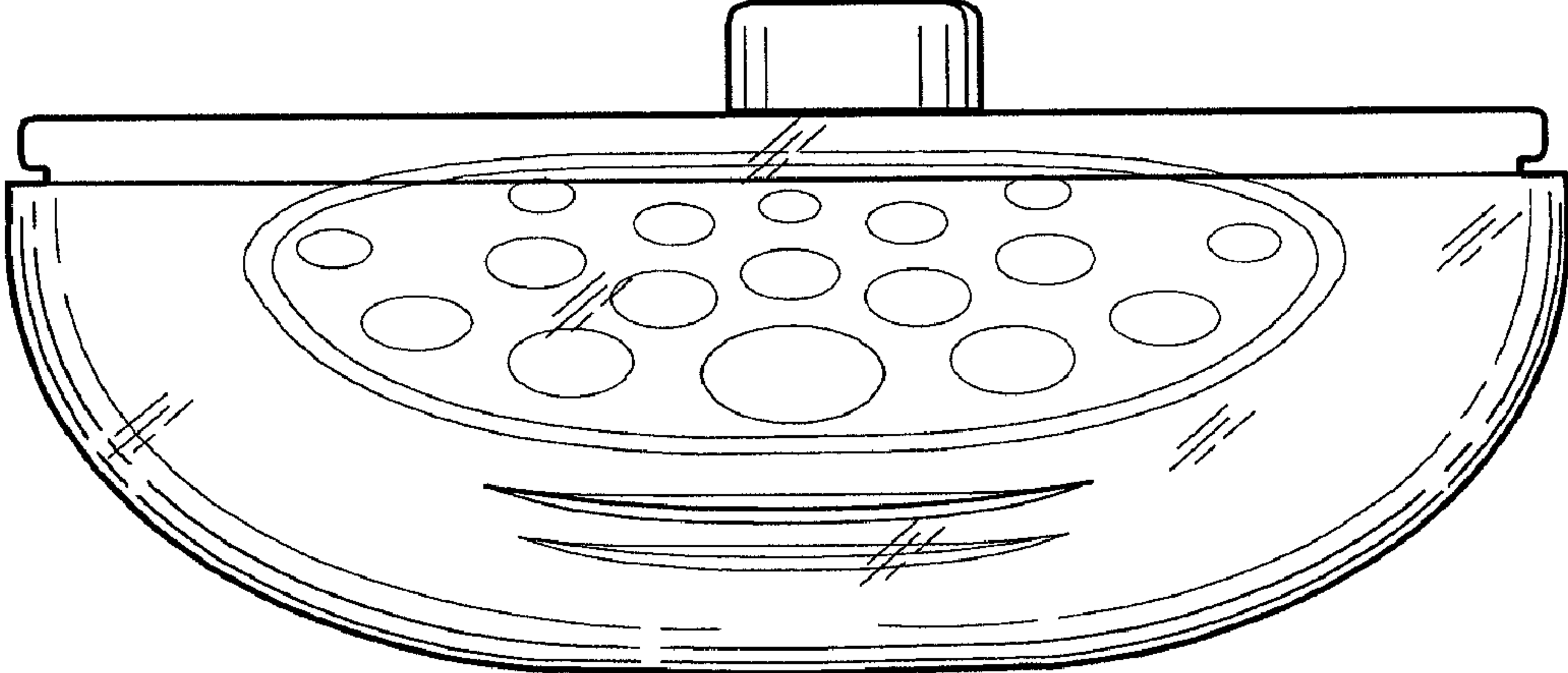


FIG. 4

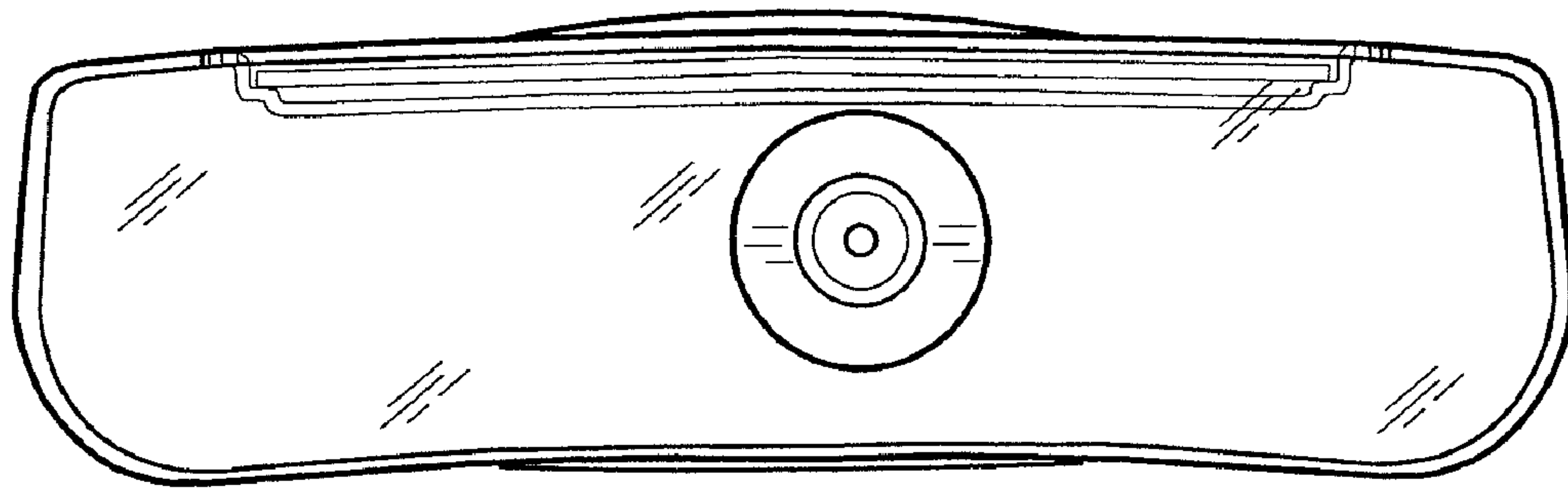


FIG. 5

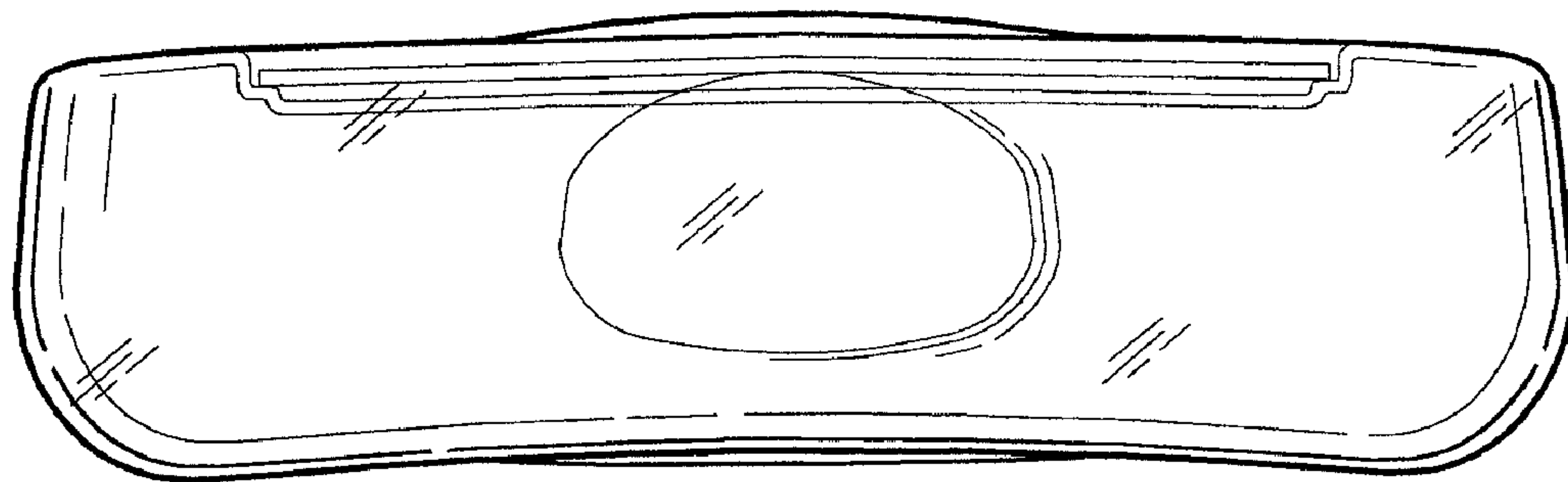


FIG. 6

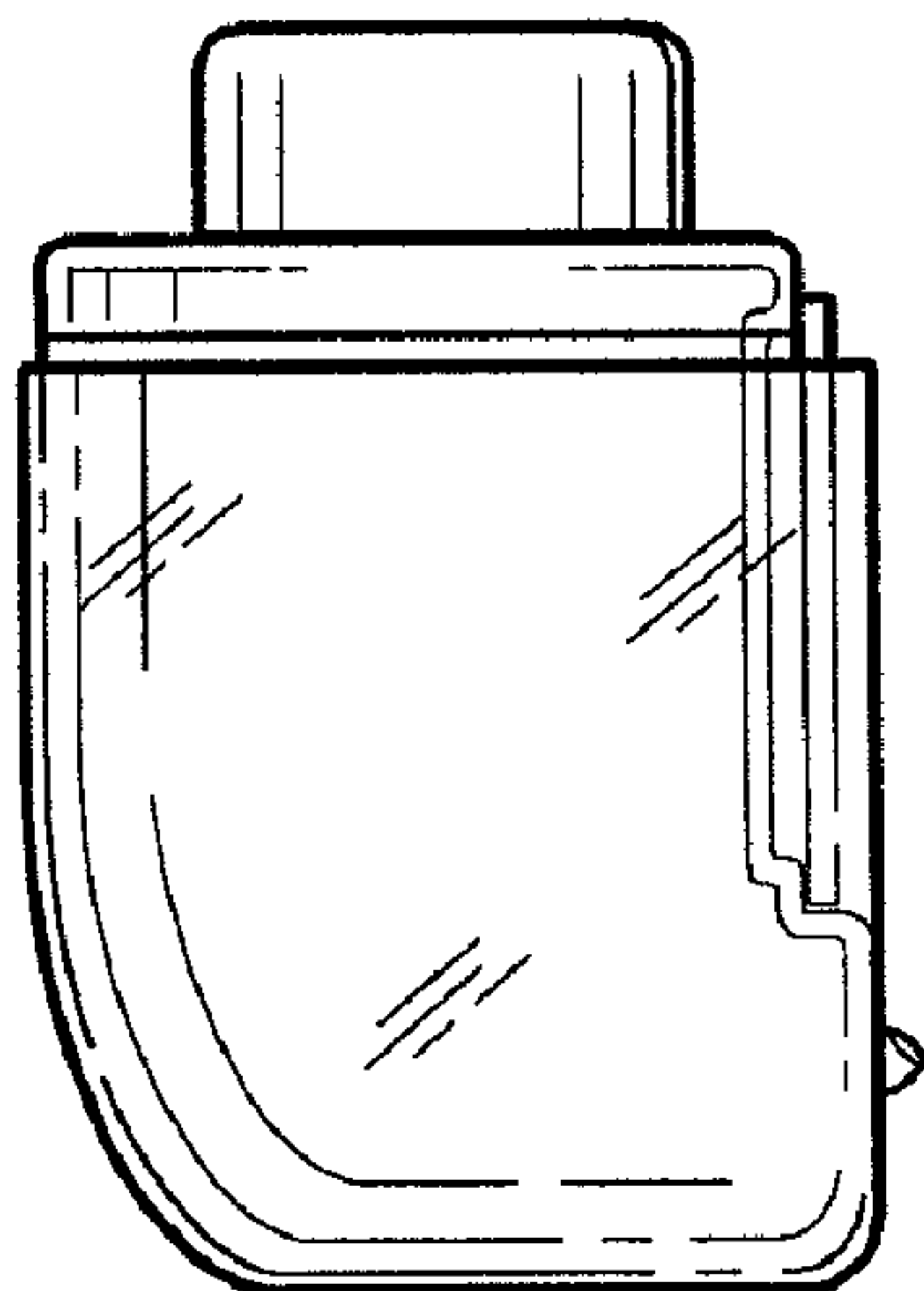


FIG. 7

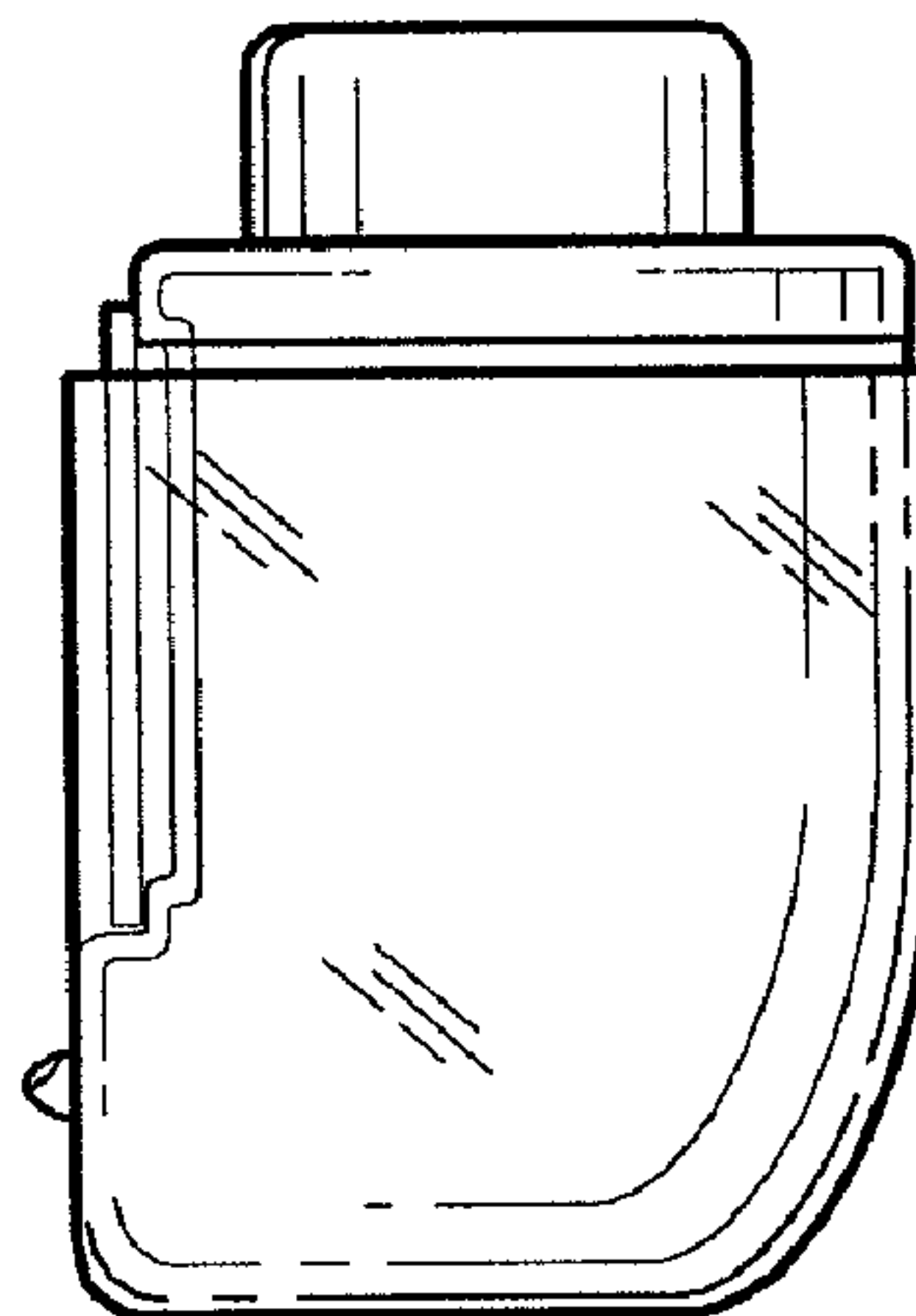


FIG. 8

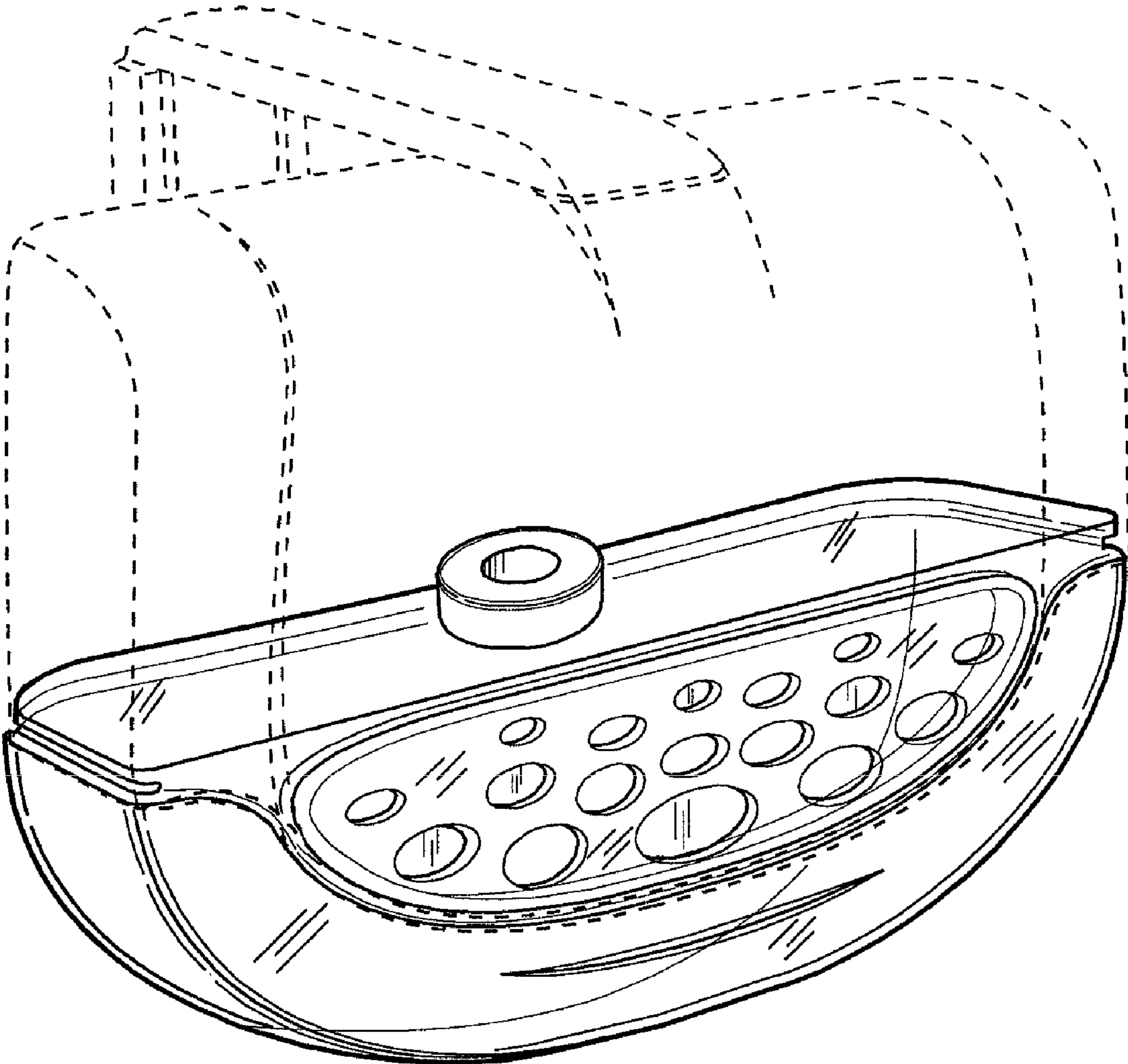


FIG. 9

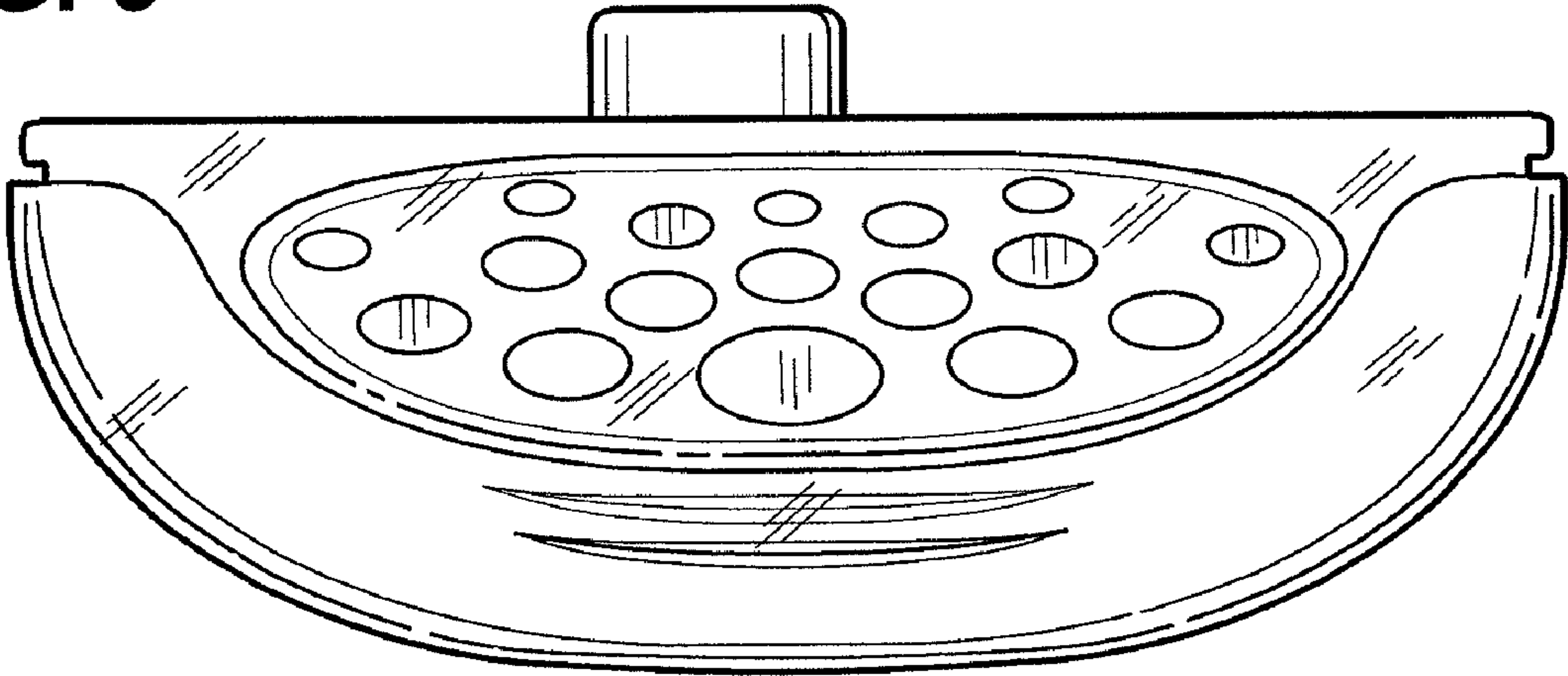


FIG. 10

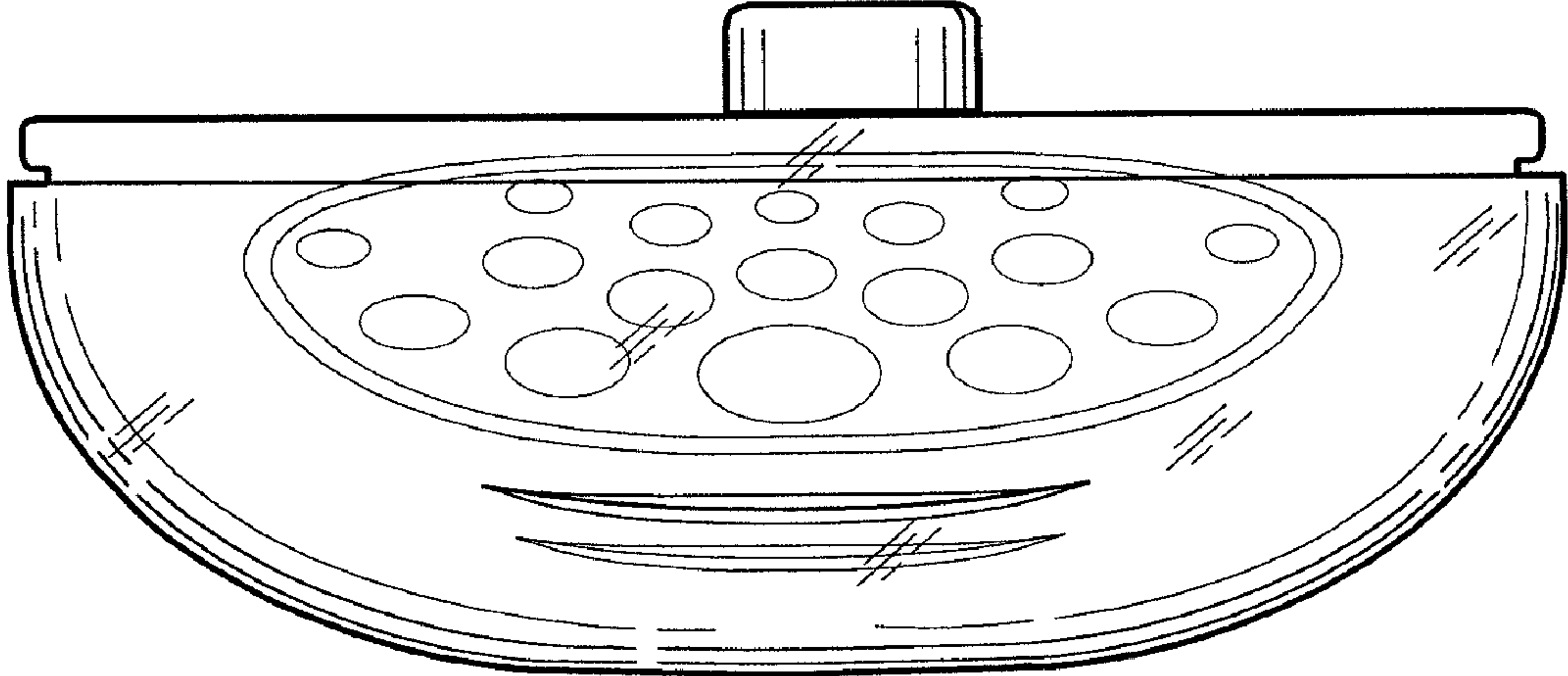


FIG. 11

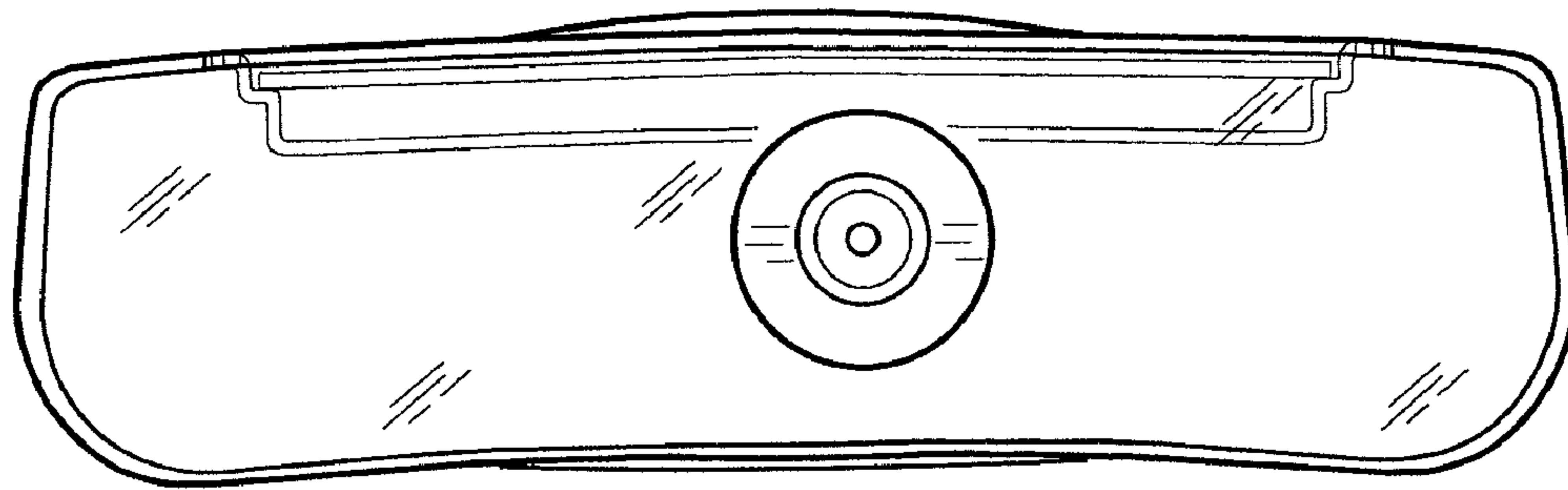


FIG. 12

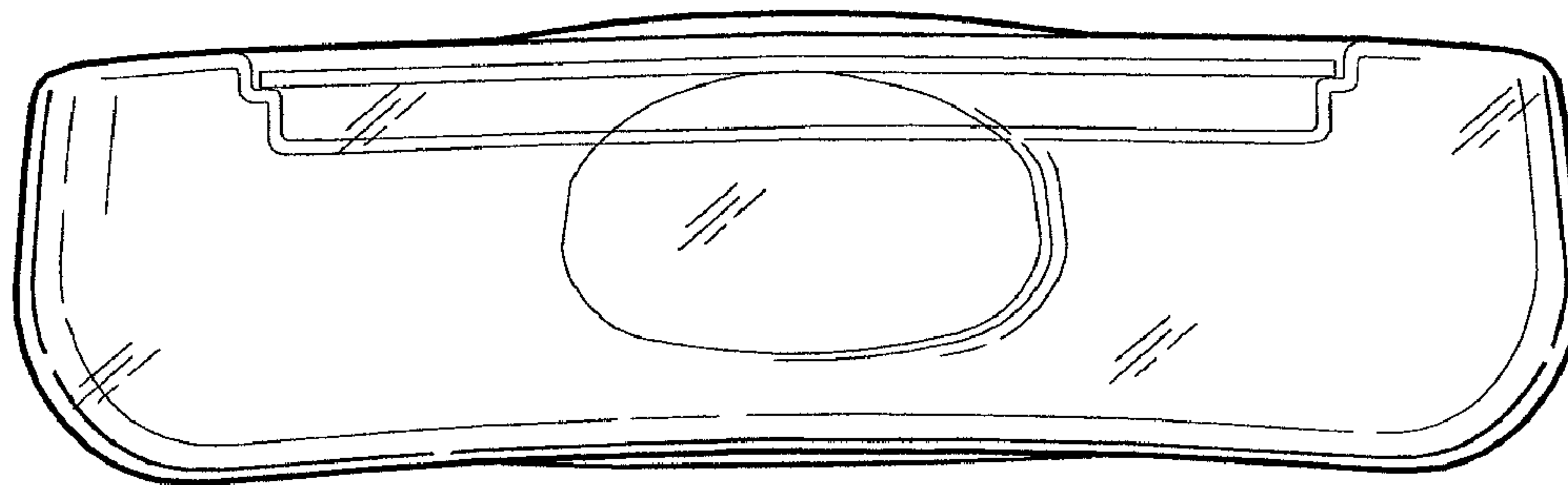


FIG. 13

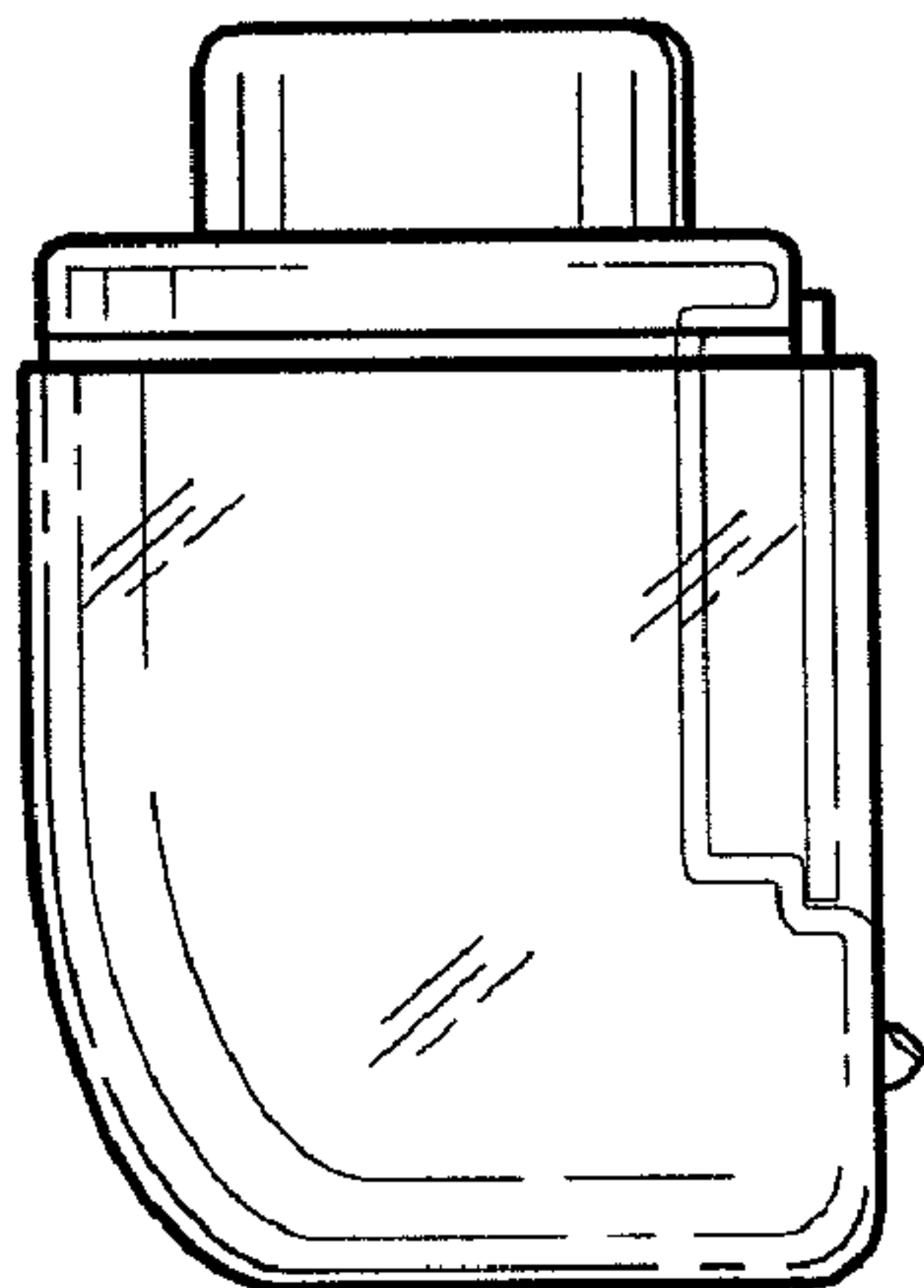


FIG. 14

