



US00D607536S

(12) **United States Design Patent**
Filo

(10) **Patent No.:** **US D607,536 S**

(45) **Date of Patent:** **** Jan. 5, 2010**

(54) **CONTAINER FOR TRANSPORTATION OF LIQUIDS**

D412,962 S * 8/1999 Riley D23/205
6,464,094 B2 * 10/2002 Zacharias 220/4.12

(76) **Inventor:** **Avi Filo**, Haseren Dov 20, Ramat Gan (IL) 52222

* cited by examiner

Primary Examiner—Robin Webster

(**) **Term:** **14 Years**

(57) **CLAIM**

(21) **Appl. No.:** **29/329,456**

The ornamental design for a container for transportation of liquids, substantially as shown and described.

(22) **Filed:** **Dec. 16, 2008**

(51) **LOC (9) Cl.** **23-01**

(52) **U.S. Cl.** **D23/205**

(58) **Field of Classification Search** D23/202–205;
220/581, 587, 565, 567.1, 532.2, 533

See application file for complete search history.

DESCRIPTION

FIG. 1 is a perspective view from above, one side and one end;

FIG. 2 is a perspective view from below, other side and other end;

FIG. 3 is a plan view from below;

FIG. 4 is a plan view from above;

FIG. 5 is a view from one side;

FIG. 6 is a view from one end; and,

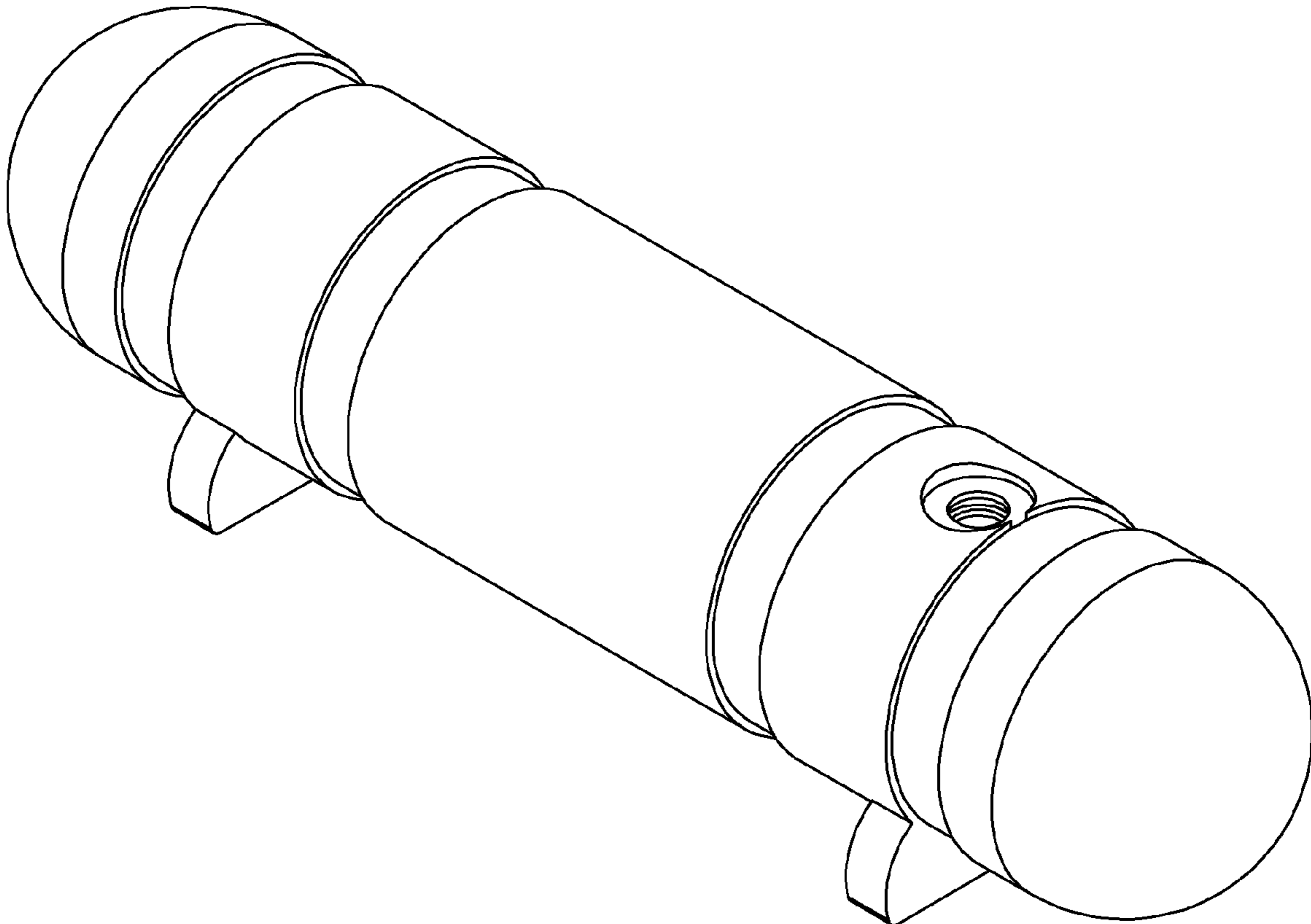
FIG. 7 is a view from other end.

(56) **References Cited**

U.S. PATENT DOCUMENTS

D243,455 S * 2/1977 Verini D23/205
4,147,269 A * 4/1979 Werts 220/565
D320,837 S * 10/1991 Loeffke et al. D23/205
D387,847 S * 12/1997 Wadlington et al. D23/205

1 Claim, 7 Drawing Sheets



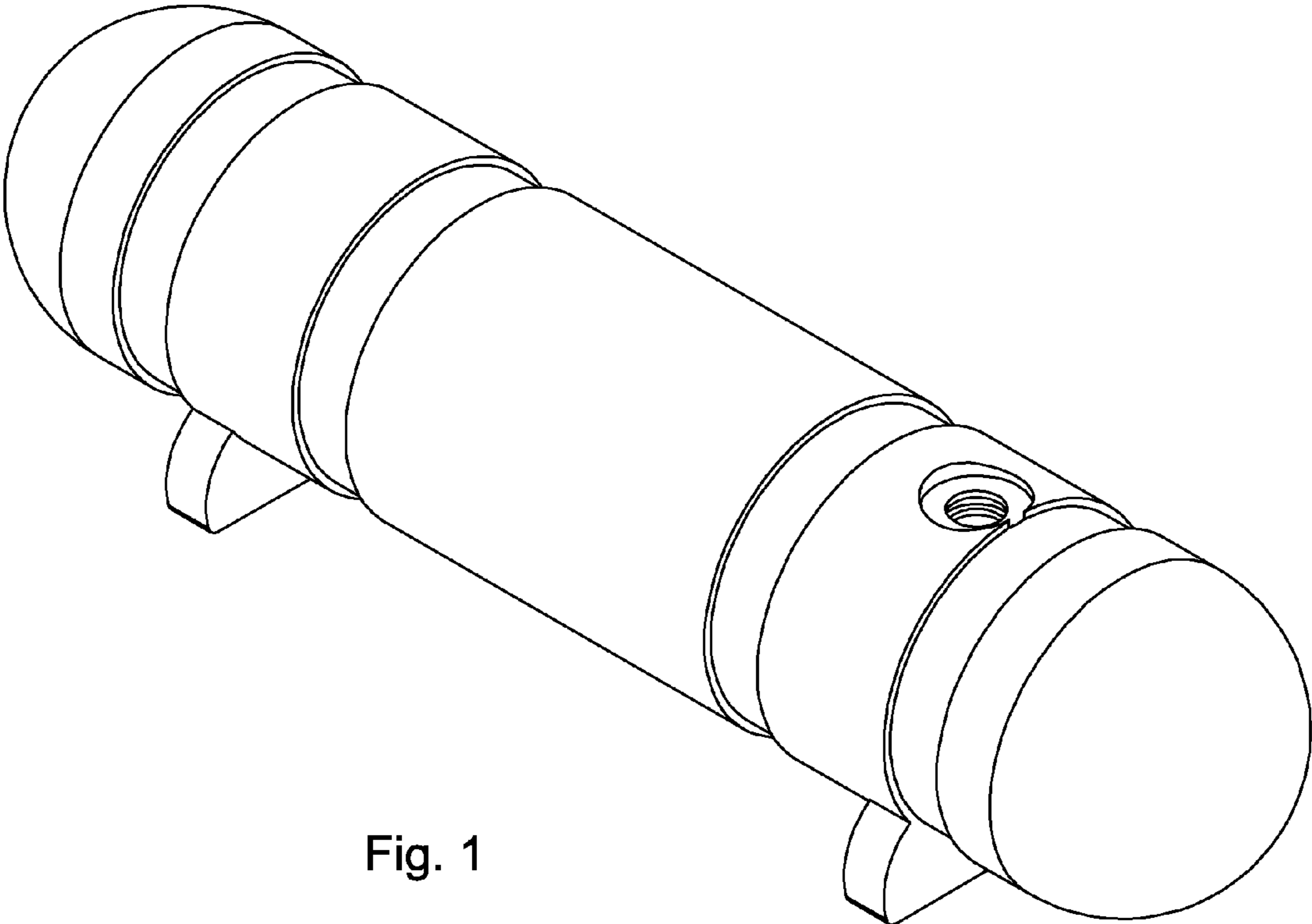


Fig. 1

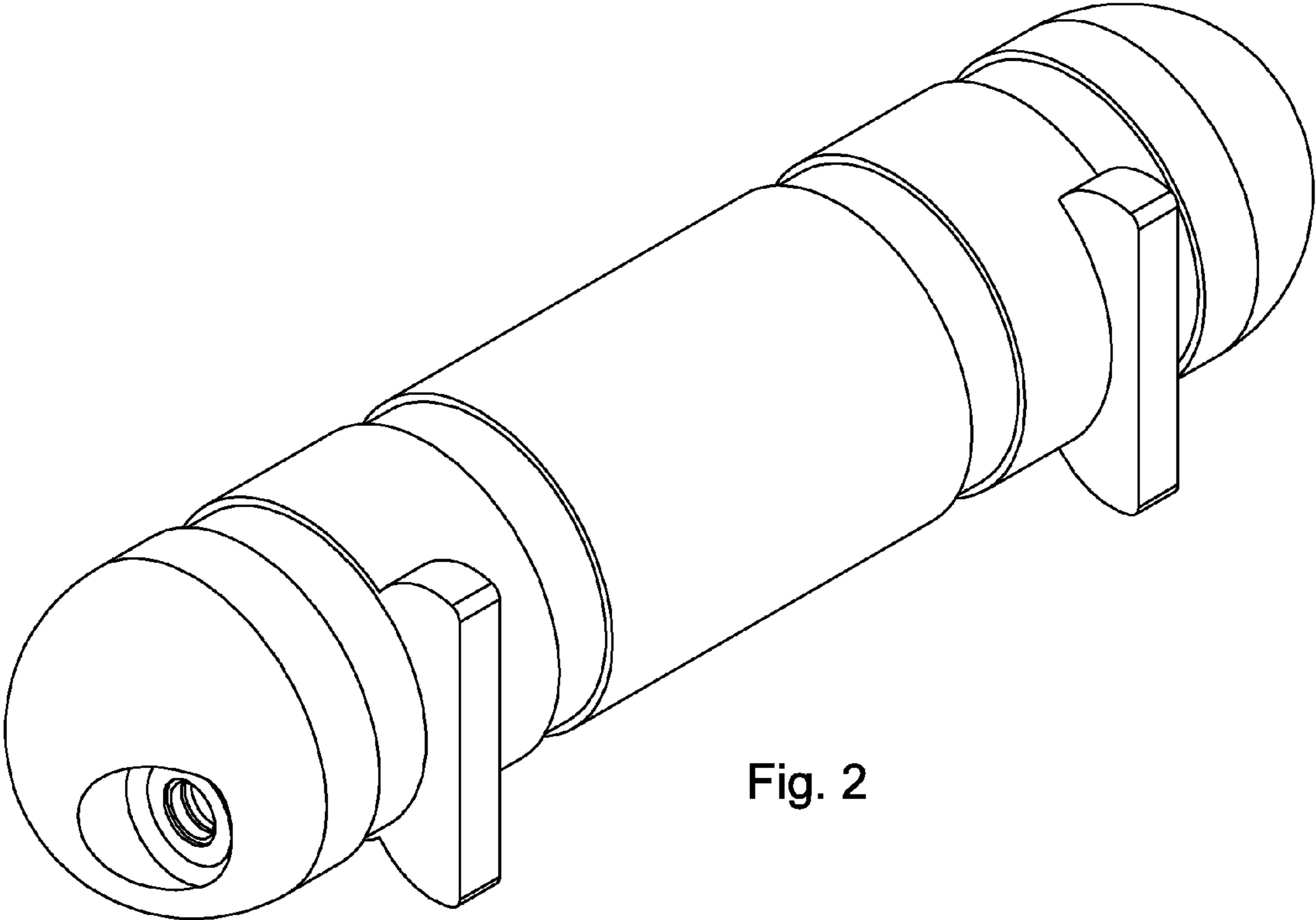


Fig. 2

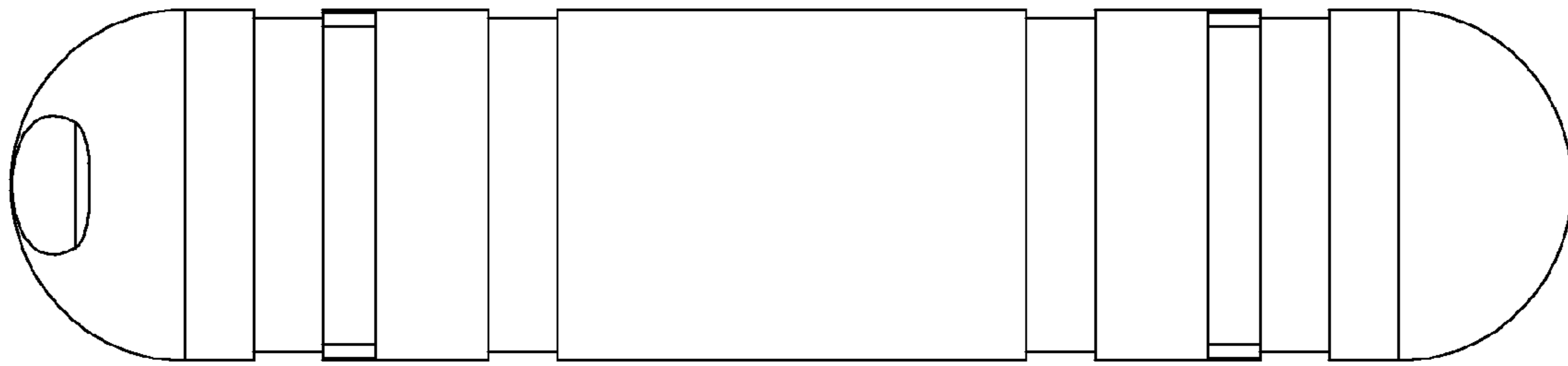


Fig. 3

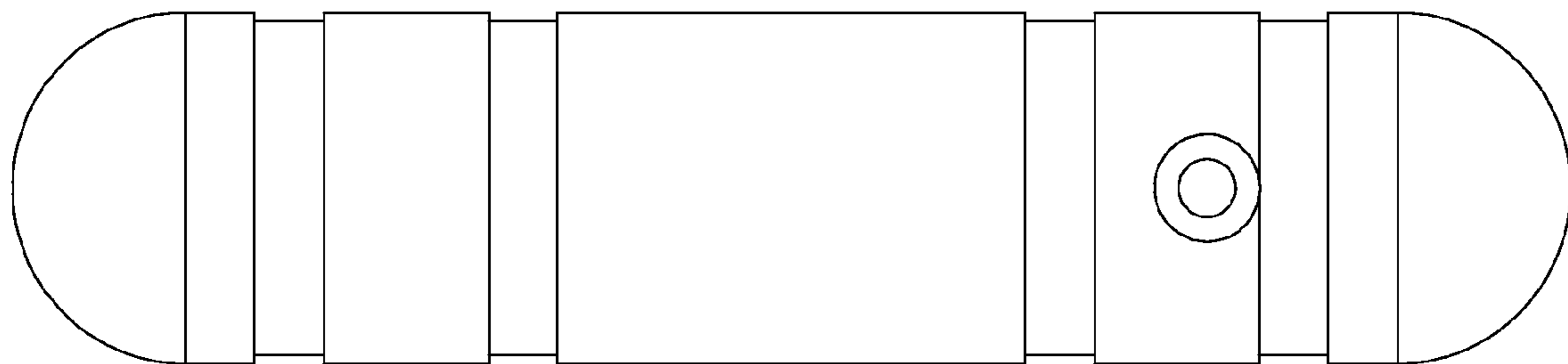


Fig. 4



Fig. 5

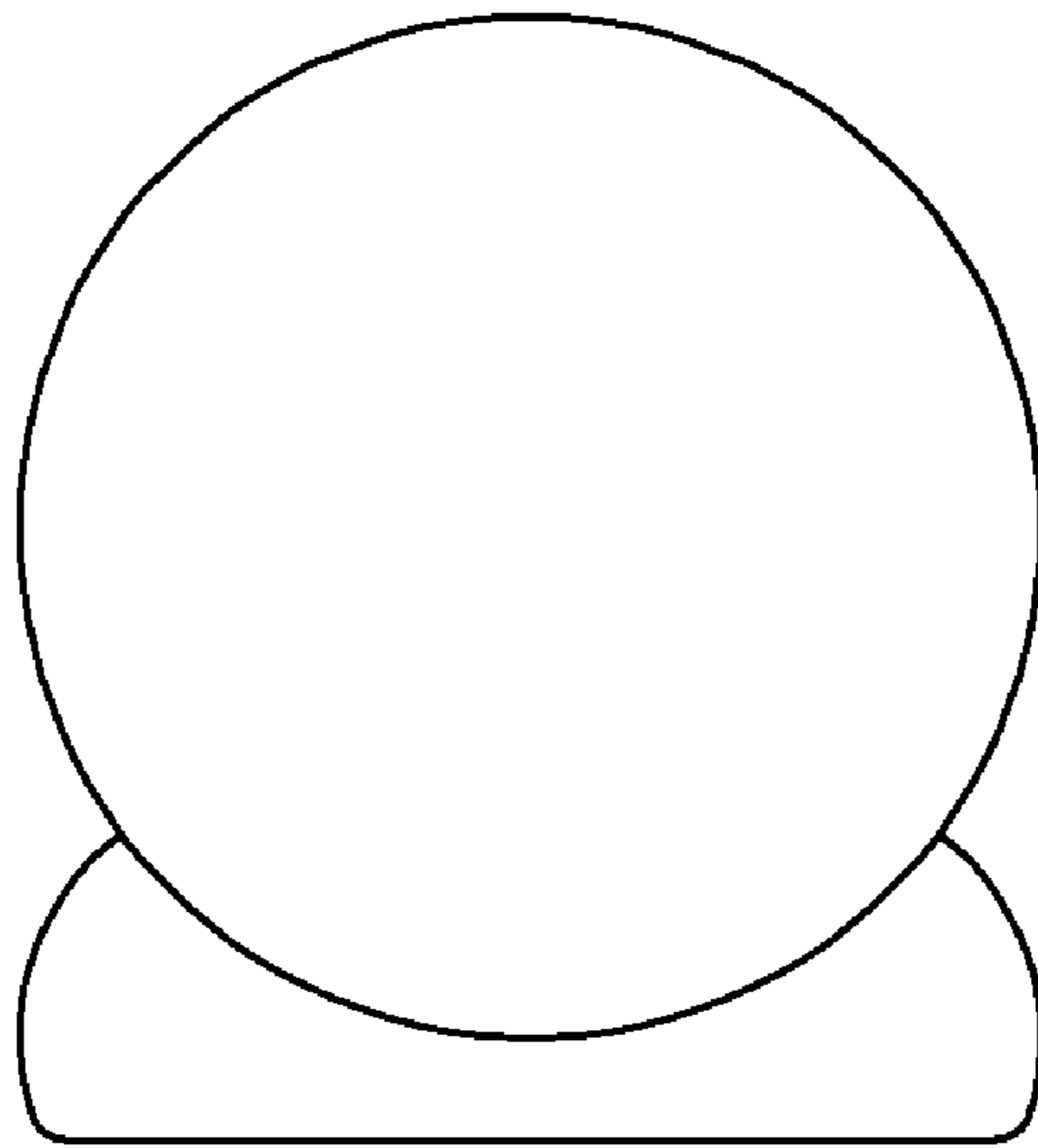


Fig. 6

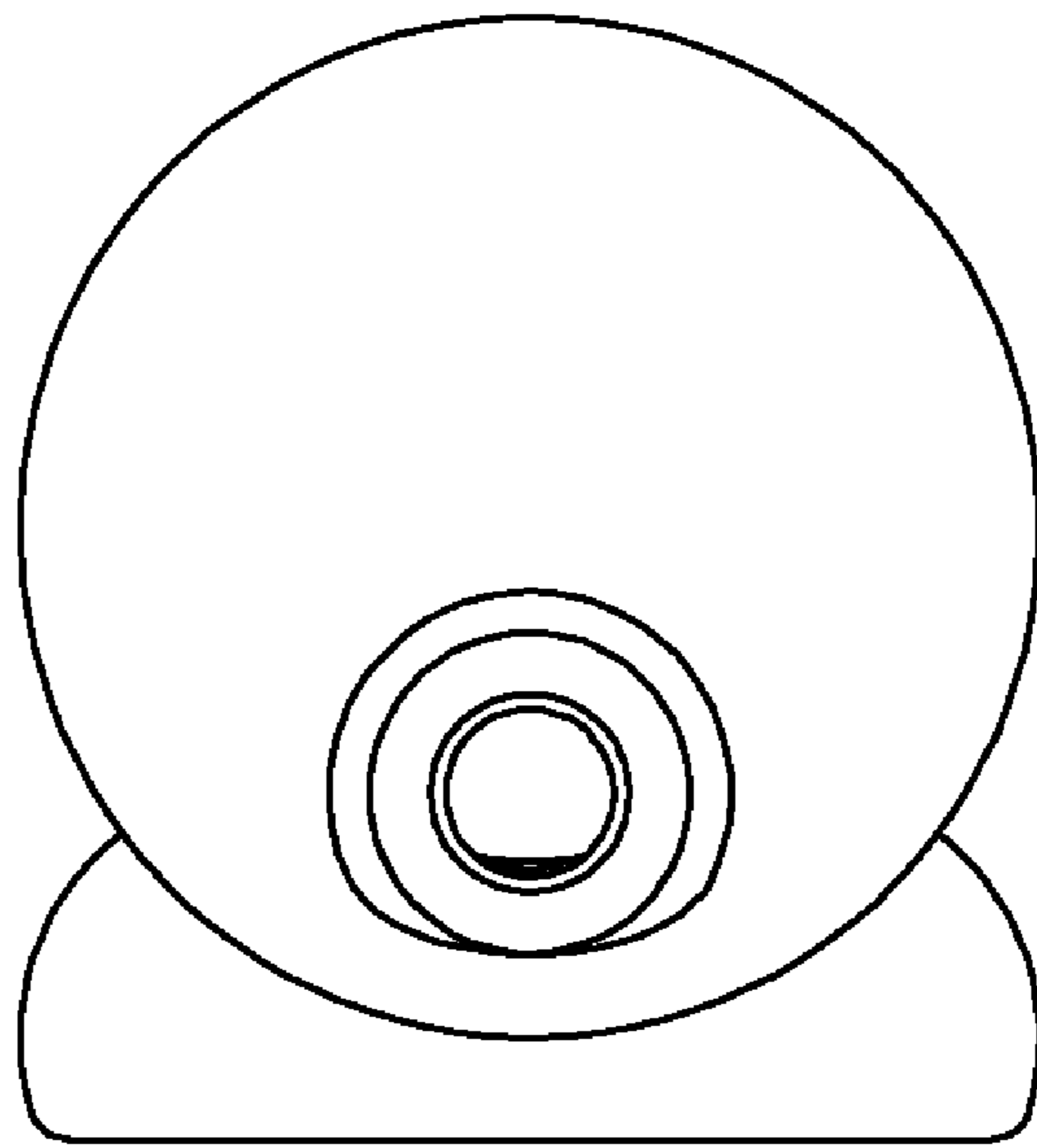


Fig. 7