



US00D607535S

(12) **United States Design Patent**
Kojima

(10) **Patent No.:** **US D607,535 S**
(45) **Date of Patent:** **** Jan. 5, 2010**

(54) **MOTIONLESS FLUID MIXER**
(75) Inventor: **Hisao Kojima**, Yokohama (JP)
(73) Assignee: **Anemos Company Ltd.**, Tokyo (JP)
(**) Term: **14 Years**

JP 2001-50425 A 2/2001
JP 2001-62269 A 3/2001
JP 2003-181256 A 7/2003
JP 2005-219036 A 8/2005
WO WO-00/24502 A1 5/2000

(21) Appl. No.: **29/300,136**
(22) Filed: **Feb. 25, 2008**

OTHER PUBLICATIONS

S. Hagiwara et al., "Motionless Mixer—Basis & Application", NDC 571.3, Sep. 30, 1981, pp. 1-7, The Nikkan Kogyo Shimbun Ltd., Tokyo, Japan (Sep. 30, 1981).

* cited by examiner

(30) **Foreign Application Priority Data**
Aug. 31, 2007 (JP) D2007-026833

Primary Examiner—Robin V Webster
(74) *Attorney, Agent, or Firm*—Ditthavong Mori & Steiner, P.C.

(51) **LOC (9) Cl.** **23-01**
(52) **U.S. Cl.** **D23/200**
(58) **Field of Classification Search** D23/200,
D23/207, 266, 263; 138/37, 39, 42; 366/336–340
See application file for complete search history.

(57) **CLAIM**

The ornamental design for a motionless fluid mixer, as shown and described.

(56) **References Cited**

DESCRIPTION

U.S. PATENT DOCUMENTS

FIG. 1 is a front elevational view of a motionless fluid mixer showing my new design;

4,183,682 A * 1/1980 Lieffers 366/339
4,466,741 A 8/1984 Kojima
4,514,095 A * 4/1985 Ehrfeld et al. 366/340
4,643,584 A * 2/1987 Allocca 366/337
4,747,697 A 5/1988 Kojima
4,824,614 A * 4/1989 Jones 261/76
4,850,705 A * 7/1989 Horner 366/339
5,758,967 A * 6/1998 King 366/337
6,109,781 A * 8/2000 Ogasawara et al. 366/336
D436,647 S * 1/2001 Etschel et al. D23/200
7,137,731 B2 * 11/2006 Carlson 366/337

FIG. 2 is a rear elevational view thereof;

FIG. 3 is a right side elevational view thereof;

FIG. 4 is a left side elevational view thereof;

FIG. 5 is a top plan view thereof thereof;

FIG. 6 is a bottom plan view thereof;

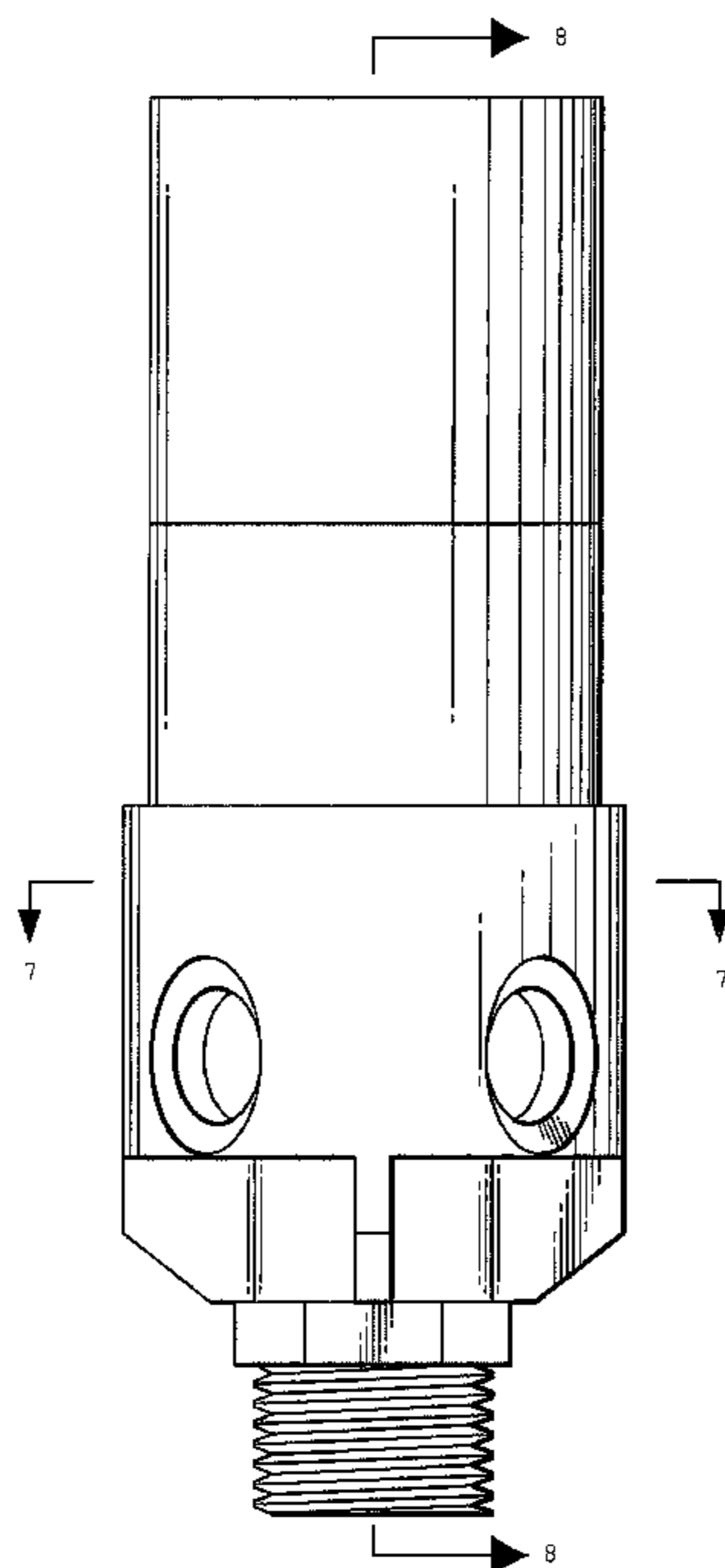
FIG. 7 is a cross sectional view thereof, taken along a line 7—7 of FIG. 1; and,

FIG. 8 is a perspective cross sectional view taken along line 8—8 of FIG. 1.

FOREIGN PATENT DOCUMENTS

JP 10-85721 A 4/1998

1 Claim, 7 Drawing Sheets



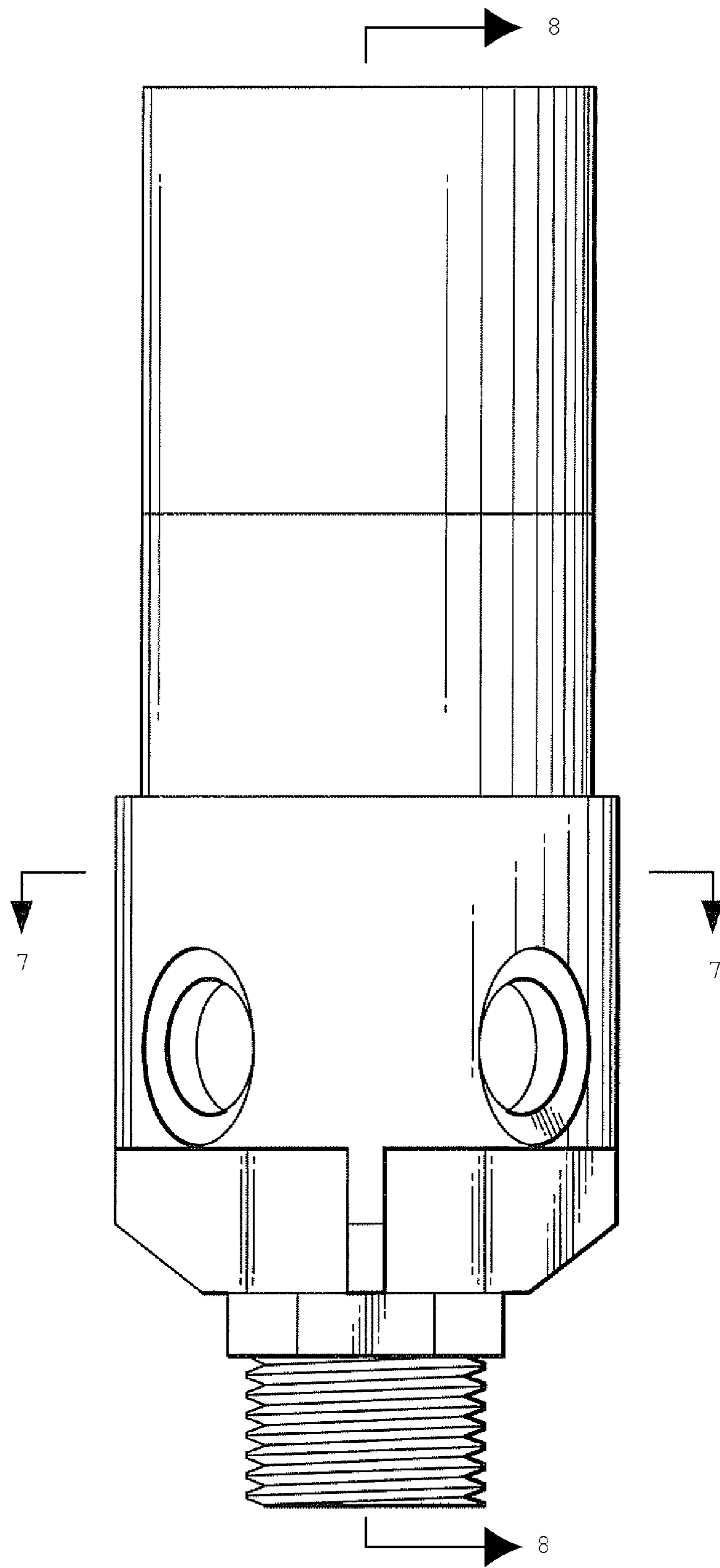


FIG. 1

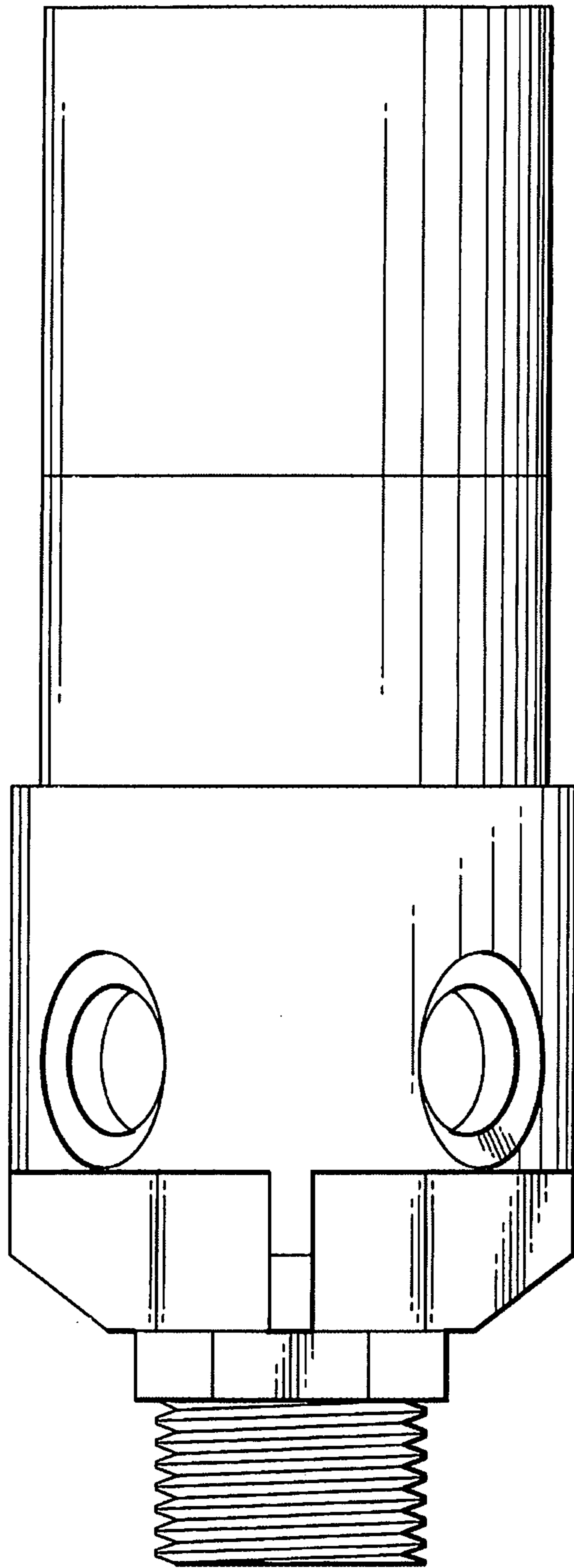


FIG. 2

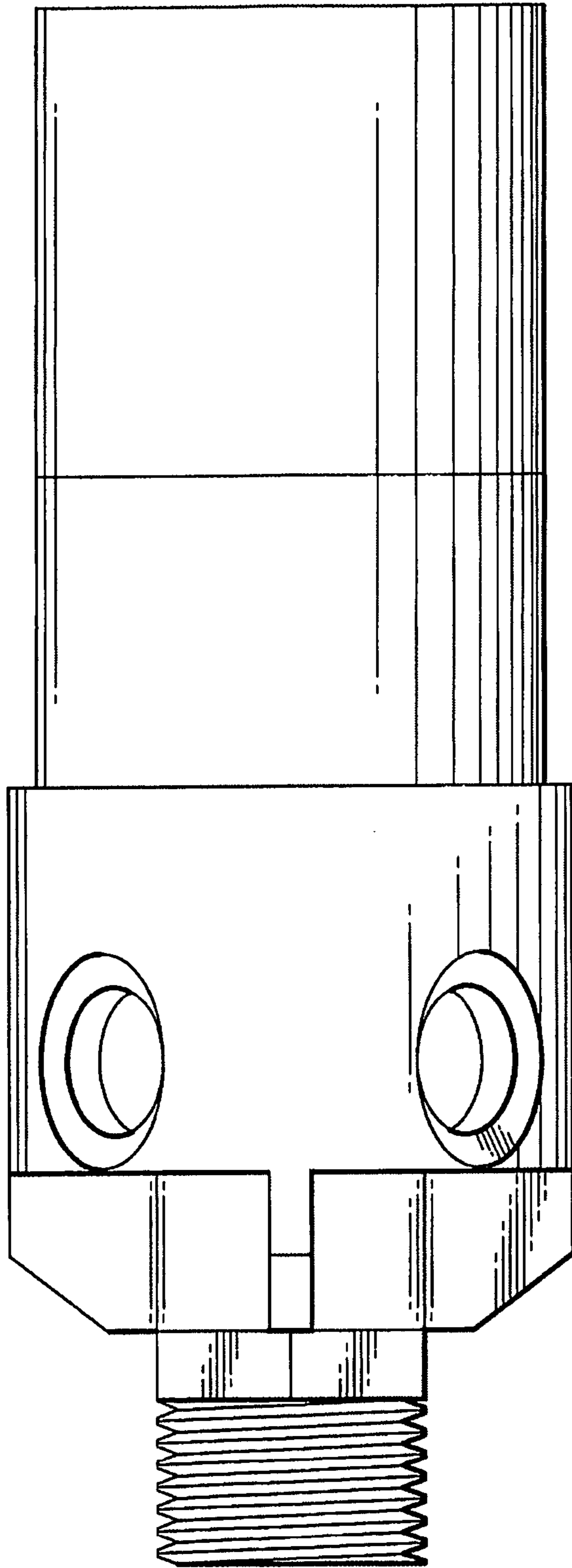


FIG. 3

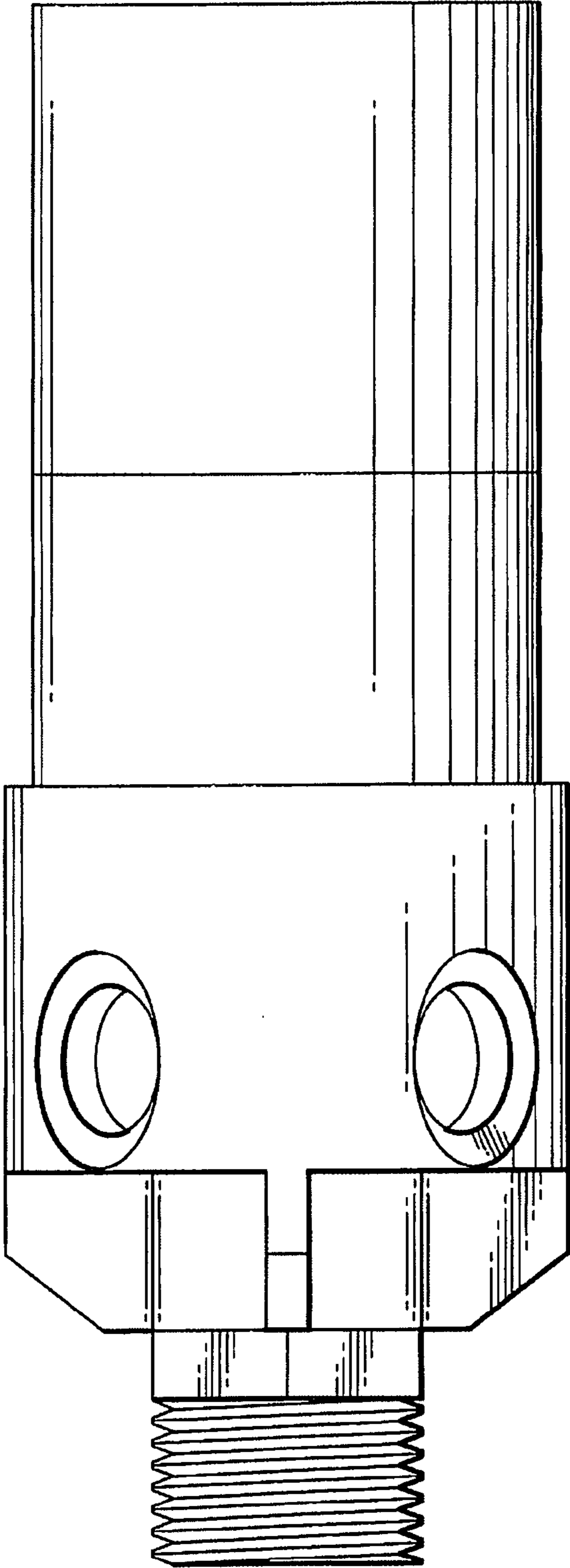


FIG. 4

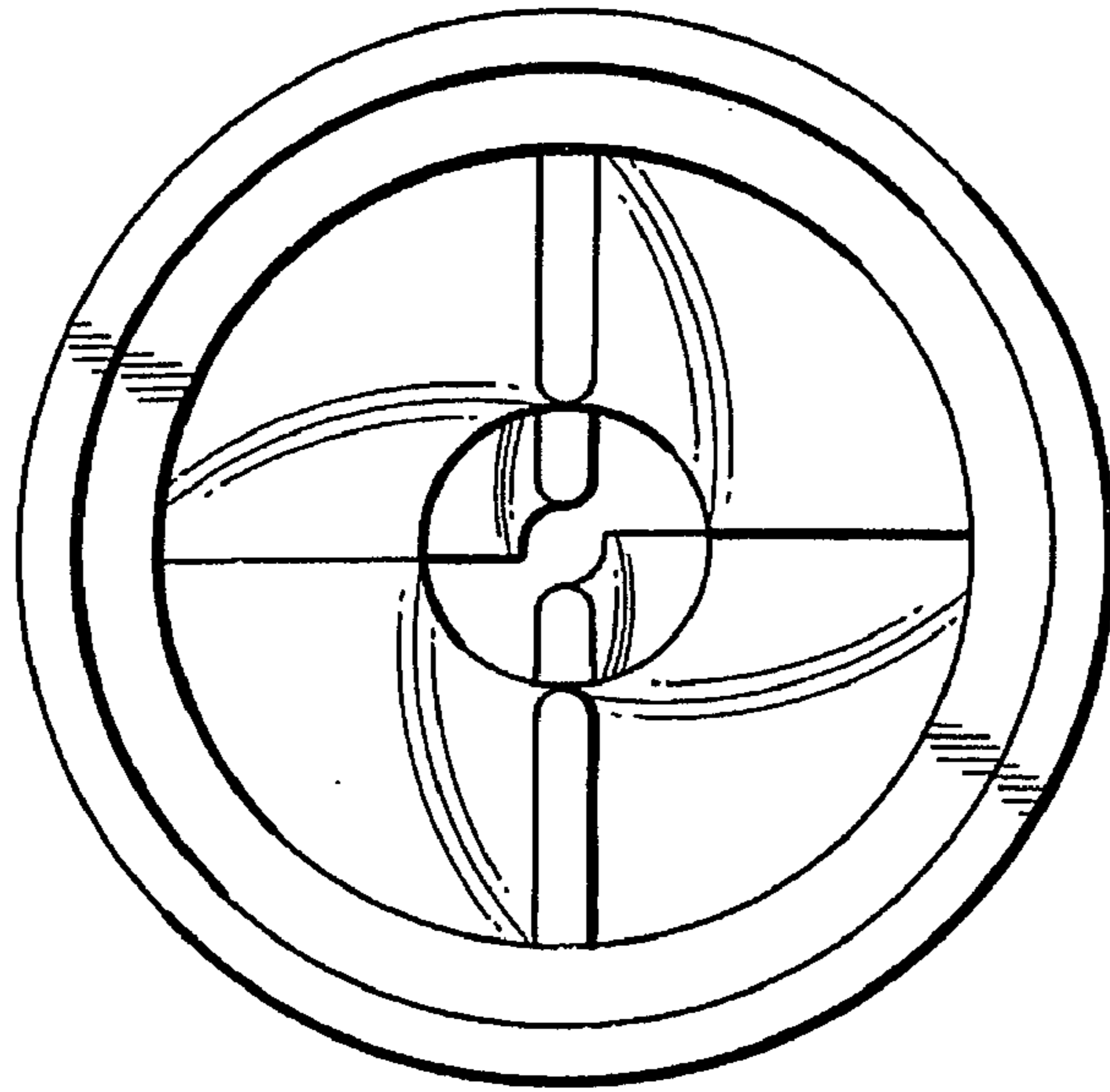


FIG. 5

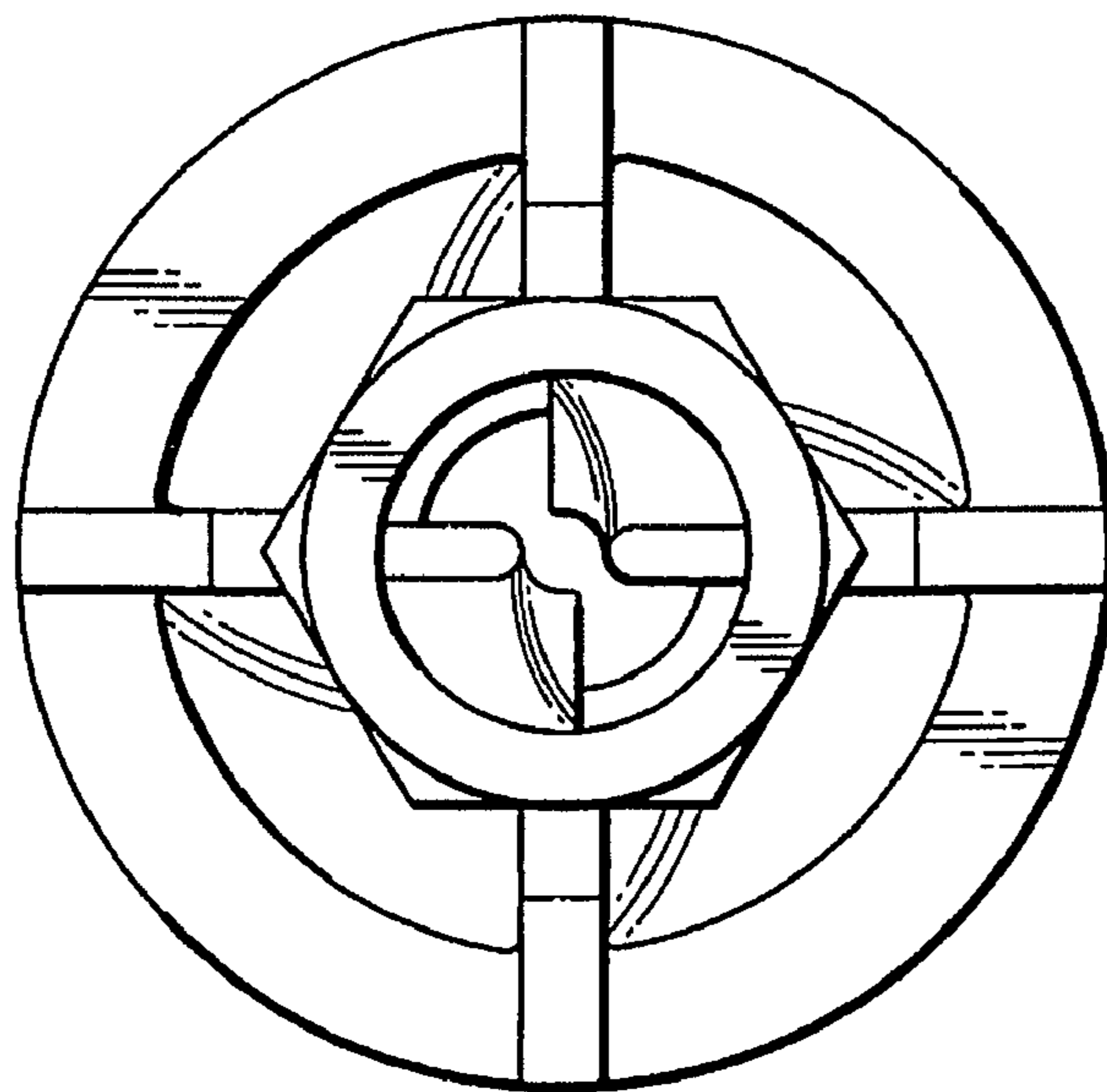


FIG. 6

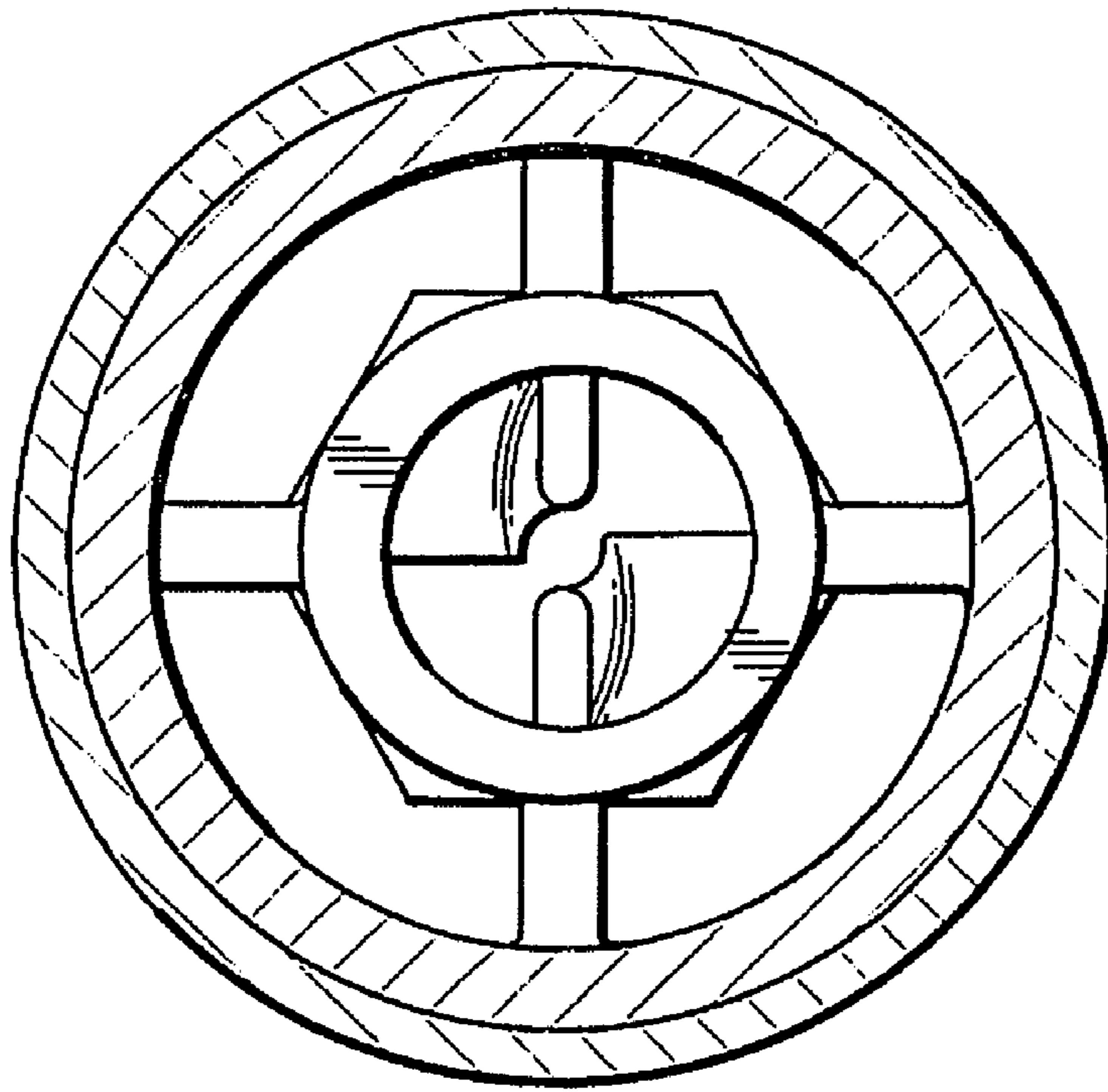


FIG. 7

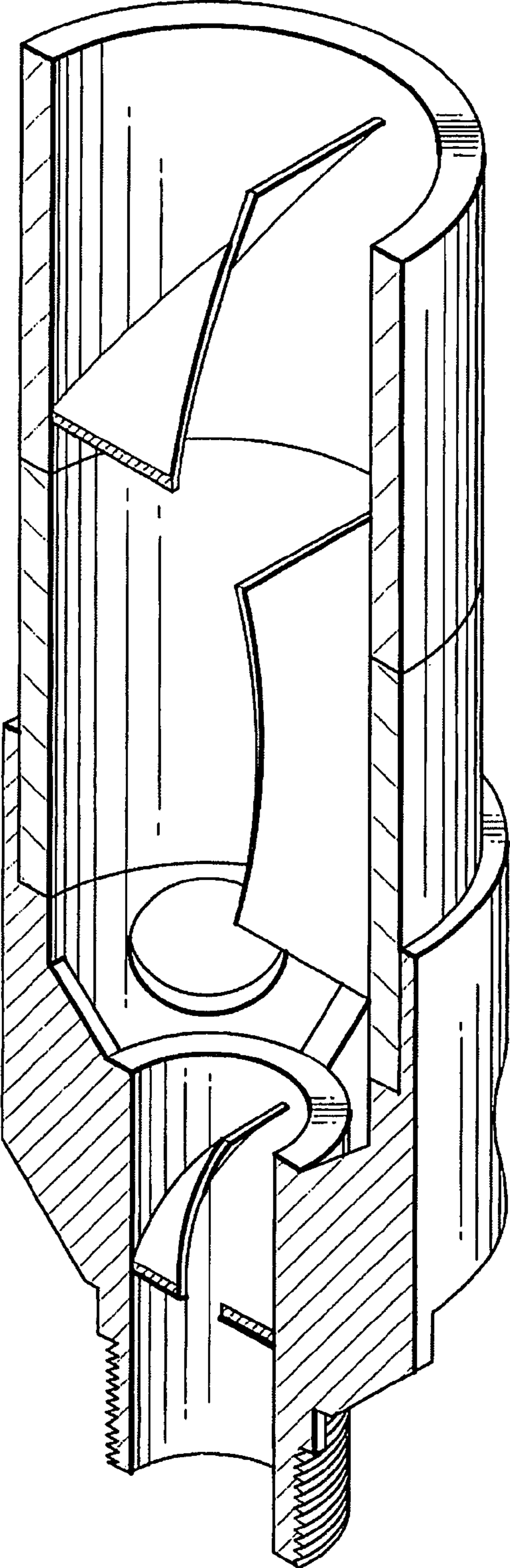


FIG. 8