



US00D607531S

(12) **United States Design Patent**
Chen

(10) **Patent No.:** **US D607,531 S**

(45) **Date of Patent:** **** Jan. 5, 2010**

(54) **FISHING ROD**

D518,868 S * 4/2006 von Mohr et al. D22/137

(75) Inventor: **Allen Chen**, Changhua County (TW)

* cited by examiner

(73) Assignee: **Michael Lin**, Taipei (TW)

Primary Examiner—Catherine R Oliver

(74) *Attorney, Agent, or Firm*—Charles E. Baxley

(**) Term: **14 Years**

(21) Appl. No.: **29/315,066**

(57) **CLAIM**

(22) Filed: **May 21, 2009**

The ornamental design for a fishing rod, as shown and described.

(51) **LOC (9) Cl.** **22-05**

(52) **U.S. Cl.** **D22/137**

(58) **Field of Classification Search** D22/137-142;
43/18.1 R, 19-23; 242/223-224, 229, 233,
242/241, 311

See application file for complete search history.

DESCRIPTION

(56) **References Cited**

U.S. PATENT DOCUMENTS

- D246,462 S * 11/1977 Reichow D22/138
- D301,601 S * 6/1989 Bice D22/137
- D306,638 S * 3/1990 Lerch D22/137
- D330,065 S * 10/1992 Debreczeni D22/138

FIG. 1 is a perspective view of a fishing rod showing my new design;

FIG. 2 is a front elevational view thereof;

FIG. 3 is a rear elevational view thereof;

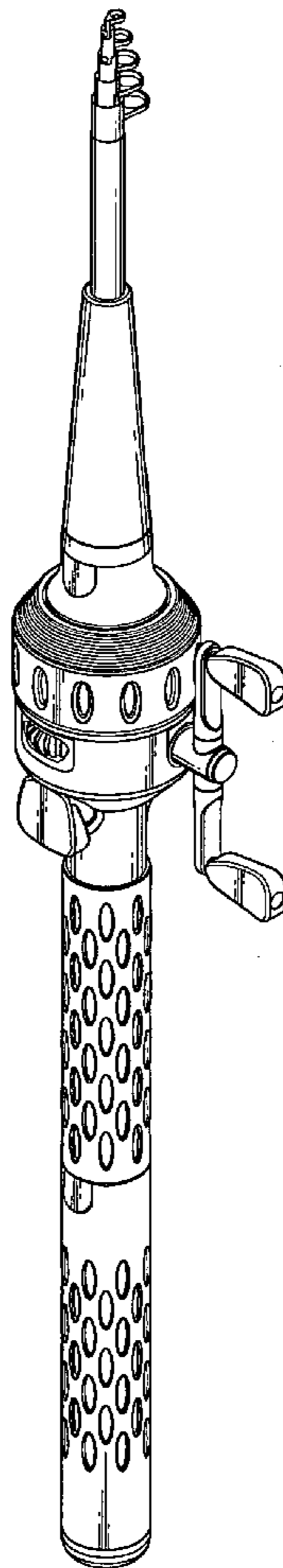
FIG. 4 is a left side view thereof;

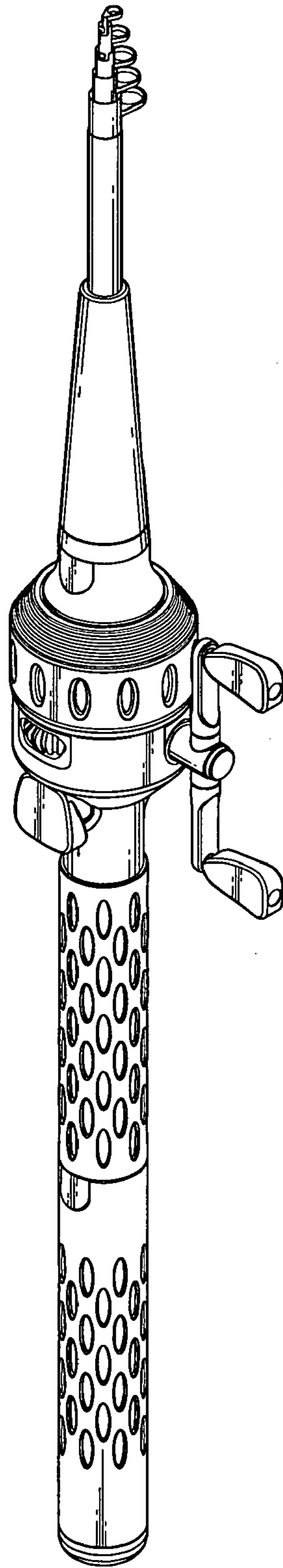
FIG. 5 is a right side view of;

FIG. 6 is a top plan view thereof; and,

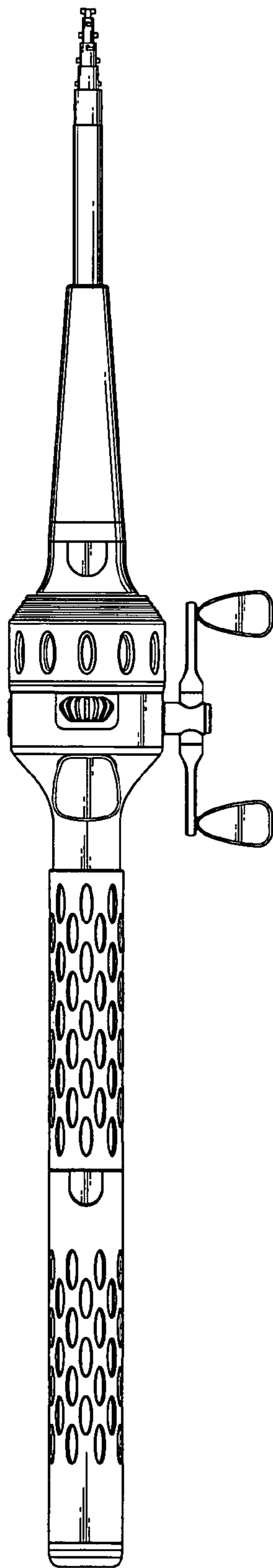
FIG. 7 is a bottom plan view thereof.

1 Claim, 6 Drawing Sheets

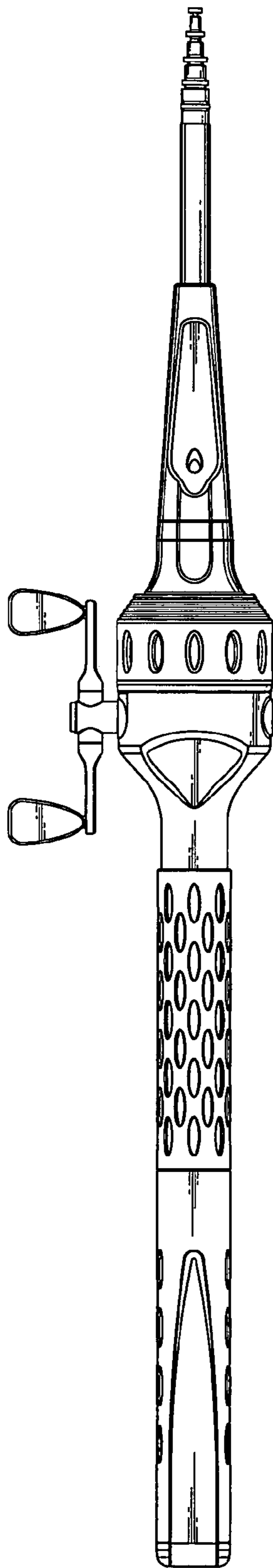




F I G . 1



F I G . 2



F I G . 3

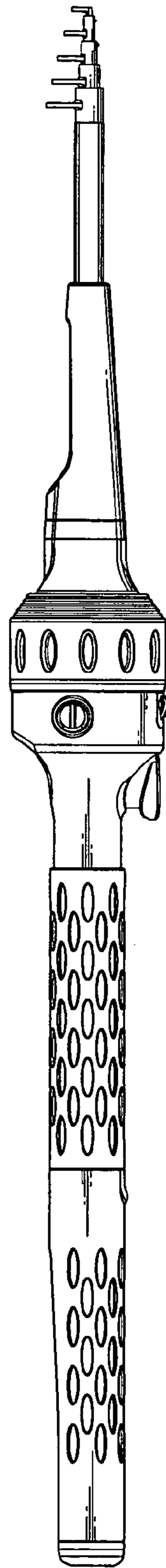


FIG. 4

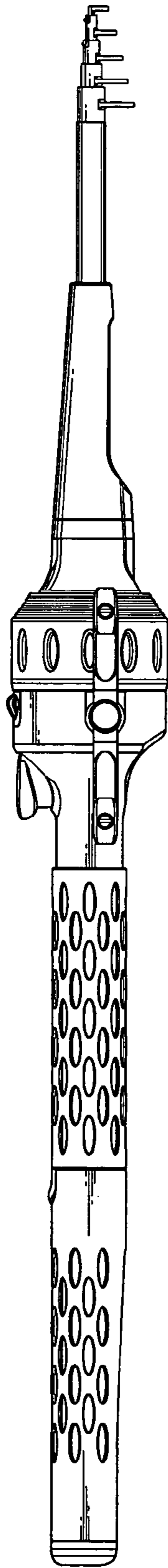


FIG. 5

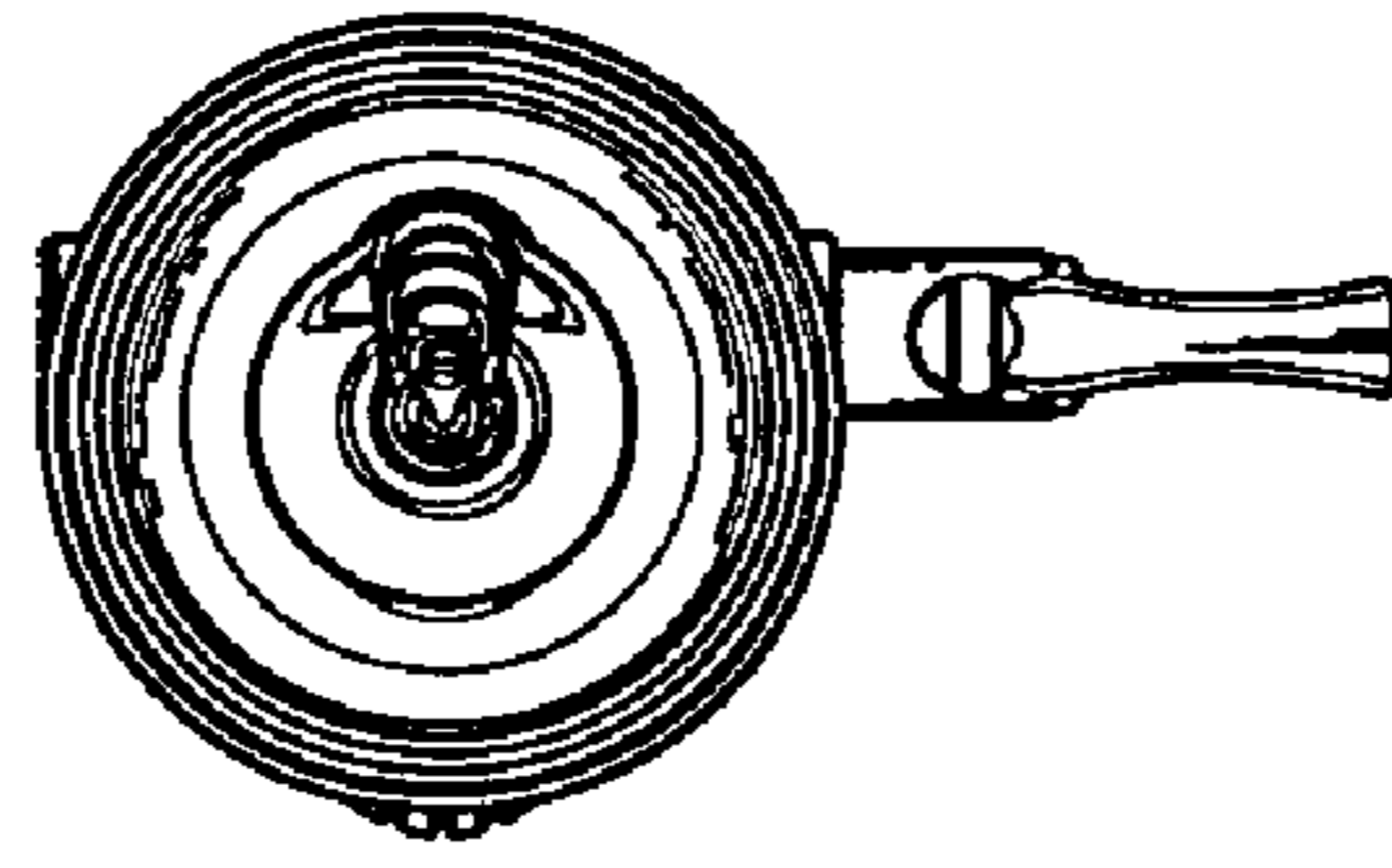


FIG. 6

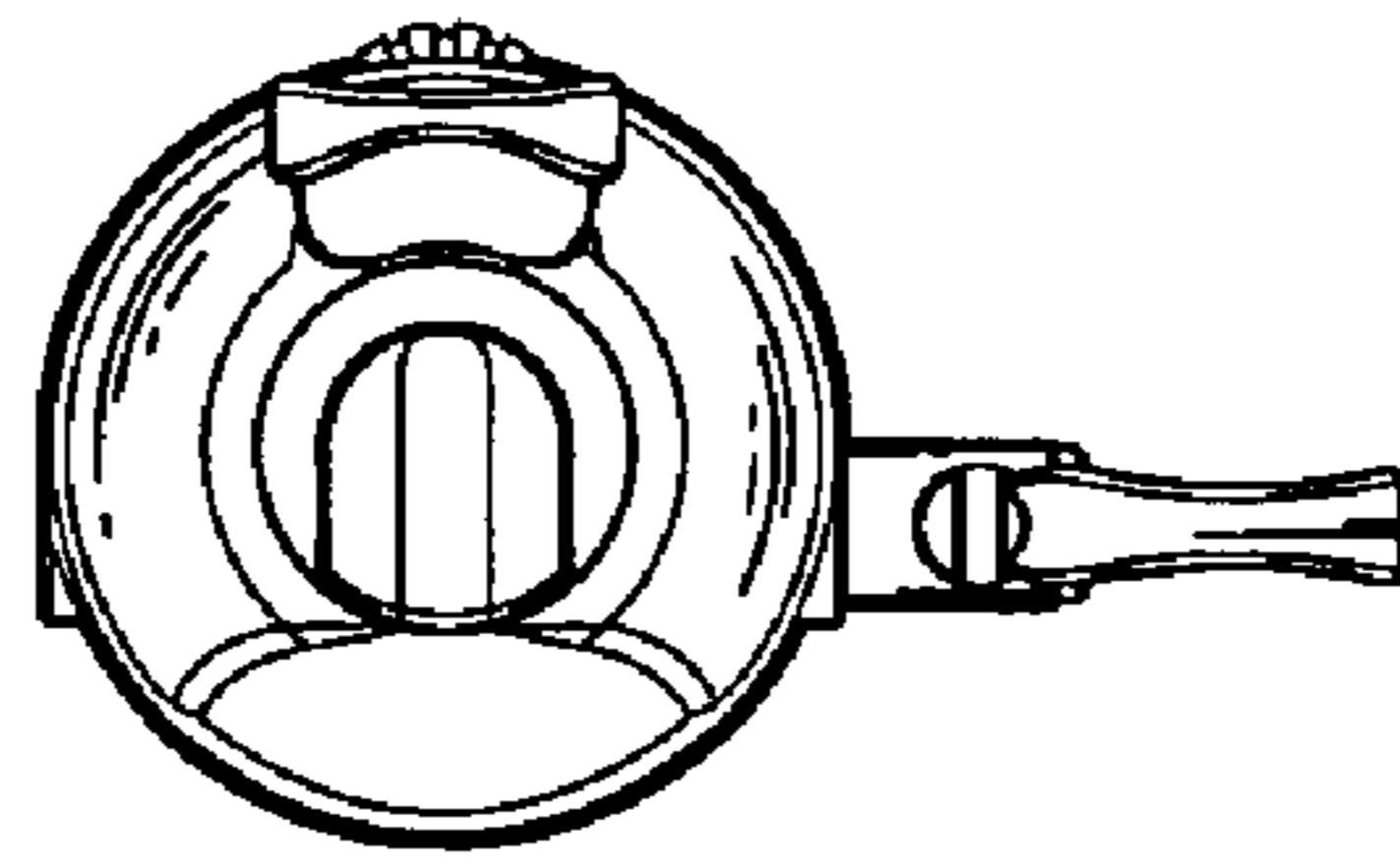


FIG. 7