



US00D607528S

(12) **United States Design Patent**  
**Marciano**

(10) **Patent No.:** **US D607,528 S**

(45) **Date of Patent:** **\*\* Jan. 5, 2010**

(54) **SWIMMING AID**

(75) Inventor: **Ralph C. Marciano**, Riverside, RI (US)

(73) Assignee: **Aqua-Leisure Industries, Inc.**, Avon, MA (US)

(\*\*) Term: **14 Years**

(21) Appl. No.: **29/339,513**

(22) Filed: **Jul. 1, 2009**

(51) **LOC (9) Cl.** ..... **29-02**

(52) **U.S. Cl.** ..... **D21/805; D21/630**

(58) **Field of Classification Search** ..... D21/600,  
D21/622, 623, 630, 804, 805; D29/100,  
D29/101.1, 101.4; 2/456, 458, 467, 463;  
441/88, 89, 106, 108, 111, 114-117; D3/216-217,  
D3/327

See application file for complete search history.

(56) **References Cited**

**U.S. PATENT DOCUMENTS**

D187,763 S *	4/1960	Crotty	.....	D21/805
D293,960 S *	2/1988	Berenson	.....	D21/805
D303,133 S *	8/1989	Talbot	.....	D21/805
D330,929 S *	11/1992	Cayce	.....	D21/769
D356,329 S *	3/1995	Frilot	.....	D17/24
D384,703 S *	10/1997	Chuang	.....	D21/360
D407,939 S *	4/1999	Bear	.....	D6/598

D410,165 S *	5/1999	Bear	.....	D6/598
D422,665 S *	4/2000	Steger	.....	D21/805
D425,697 S *	5/2000	Chapman	.....	D3/216
D448,923 S *	10/2001	Willingham et al.	.....	D3/216
D450,447 S *	11/2001	Willingham et al.	.....	D3/216
6,510,974 B2 *	1/2003	Willingham et al.	.....	224/657

\* cited by examiner

*Primary Examiner*—Janice E Seeger

*Assistant Examiner*—Zenia I Bennett

(74) *Attorney, Agent, or Firm*—Lando & Anastasi, LLP

(57) **CLAIM**

The ornamental design for a swimming aid, as shown and described.

**DESCRIPTION**

FIG. 1 is a perspective view of the swimming aid according to my new design.

FIG. 2 is a rear elevational view.

FIG. 3 is a front elevational view.

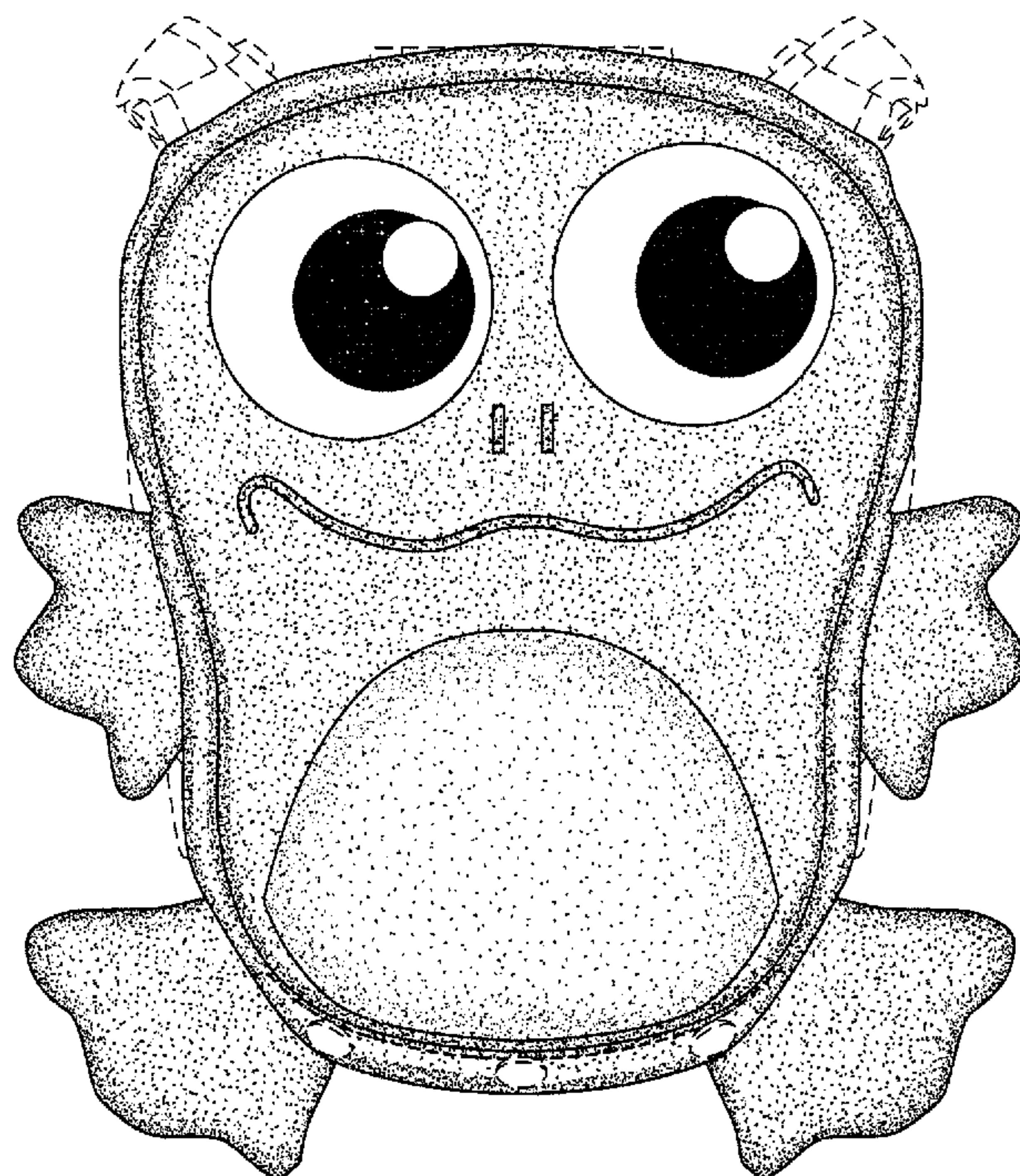
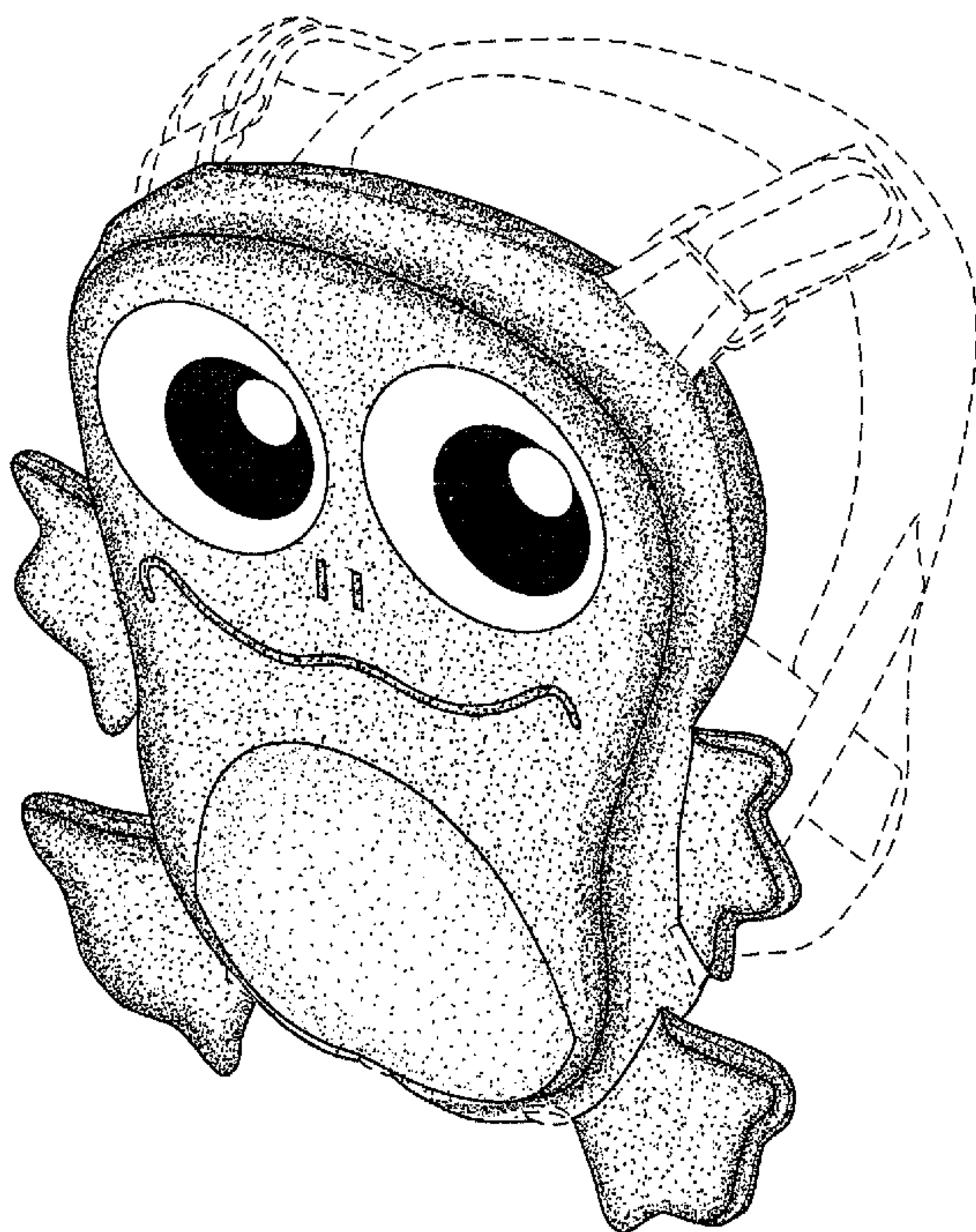
FIG. 4 is a right side elevational view, the left side elevational view being a mirror image thereof.

FIG. 5 is a bottom plan view; and,

FIG. 6 is a top plan view.

The broken lines shown in the drawing are for illustrative purposes only and form no part of the claimed design.

**1 Claim, 3 Drawing Sheets**





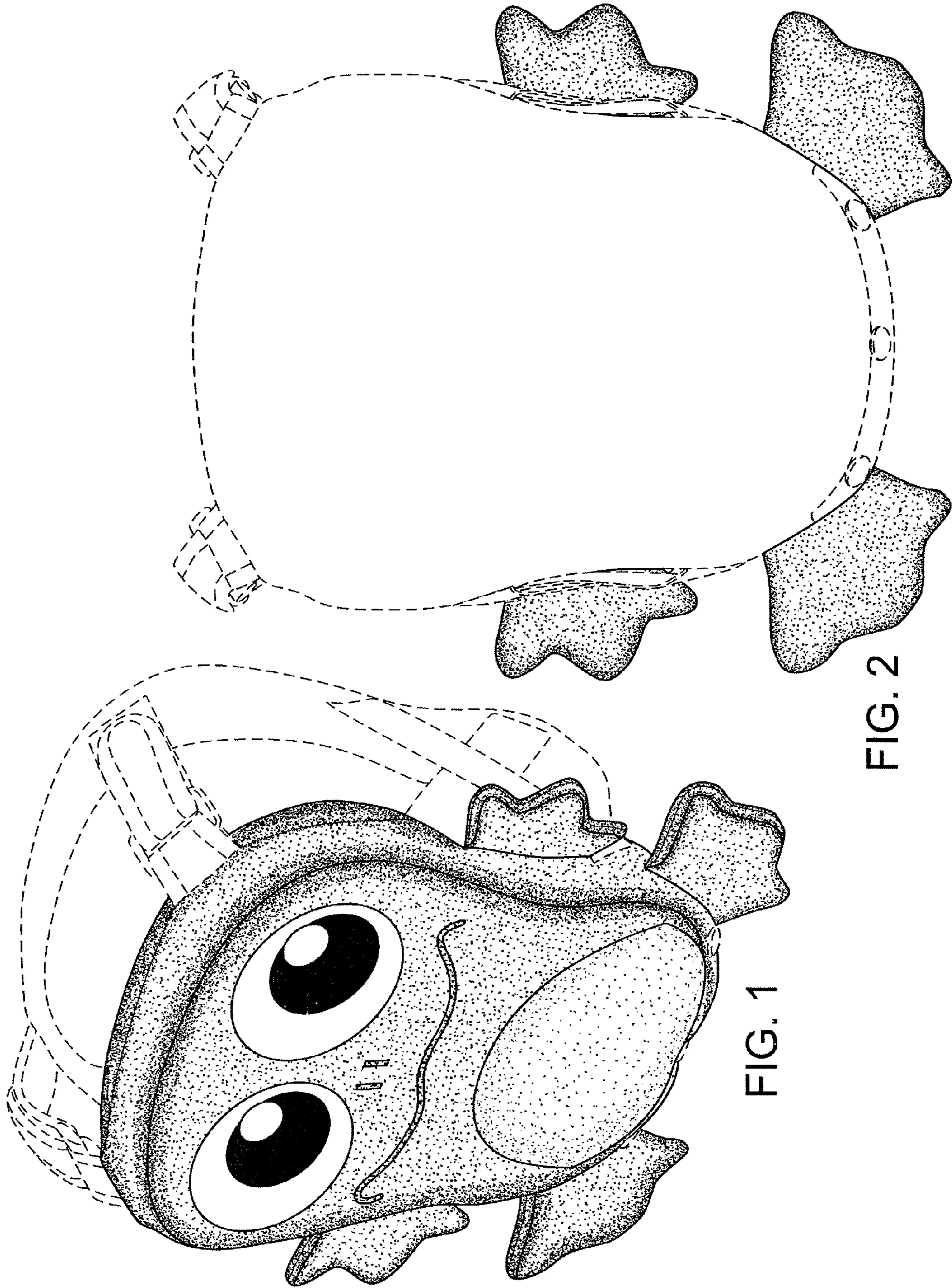


FIG. 2

FIG. 1



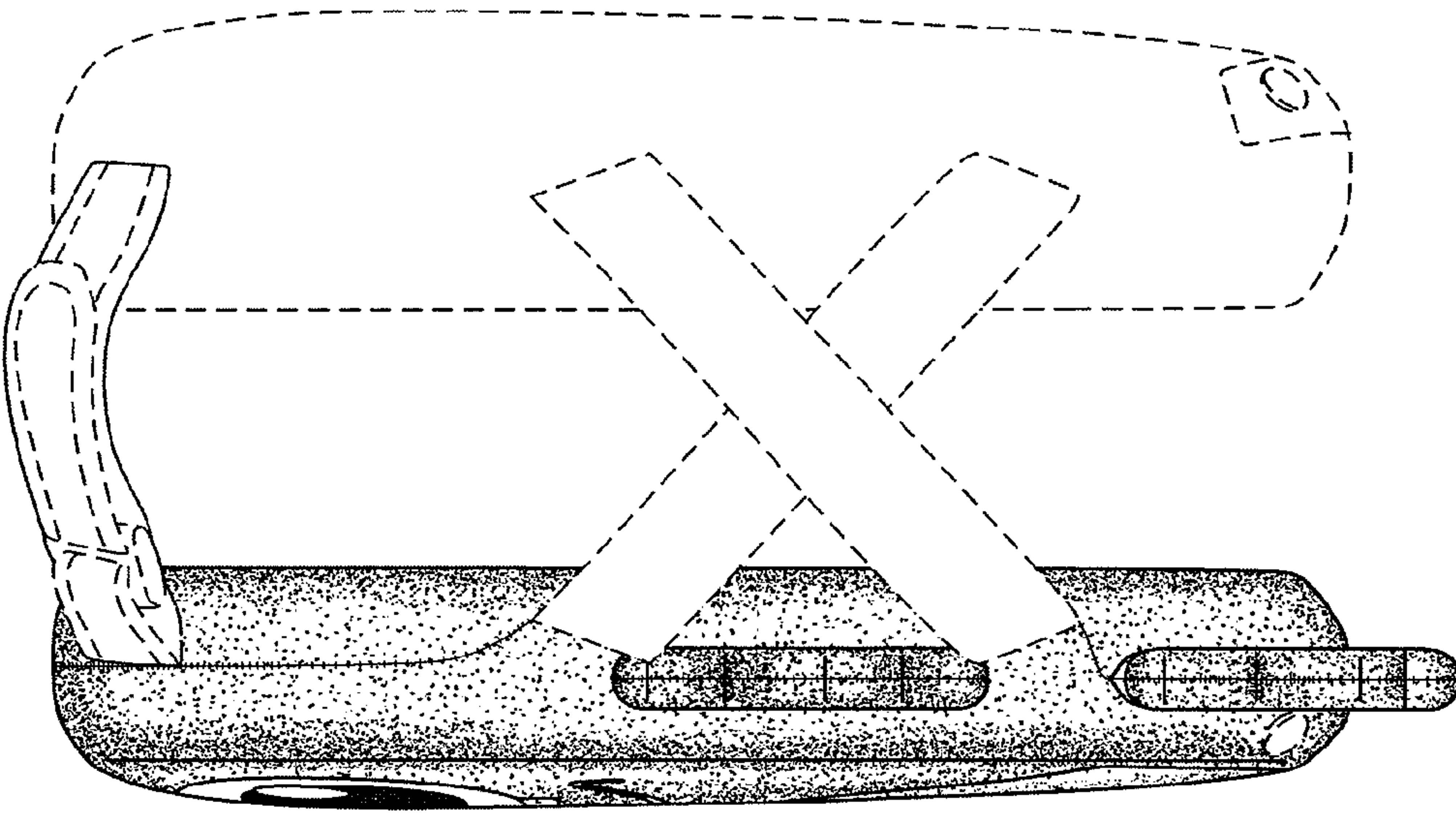


FIG. 4

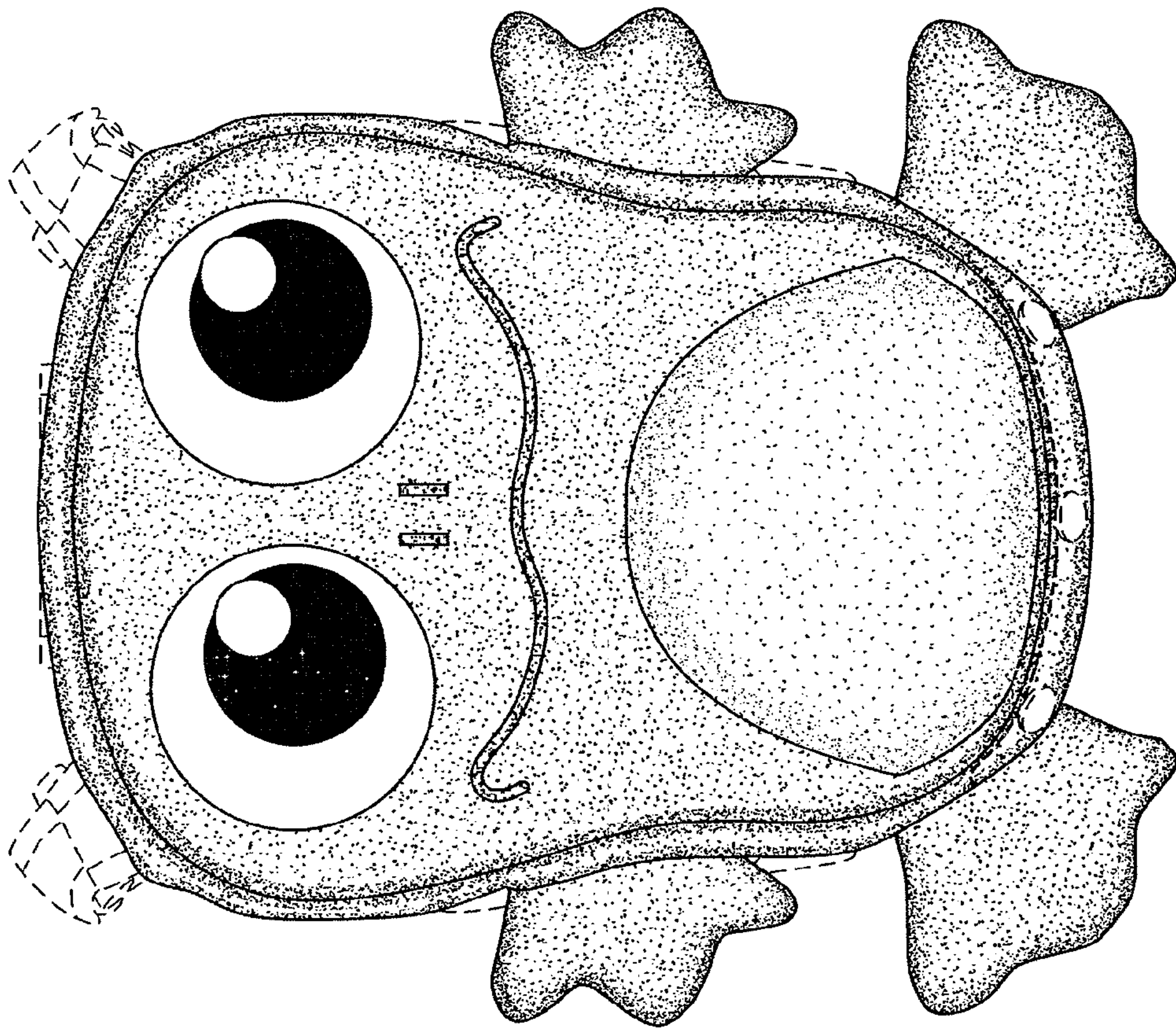


FIG. 3

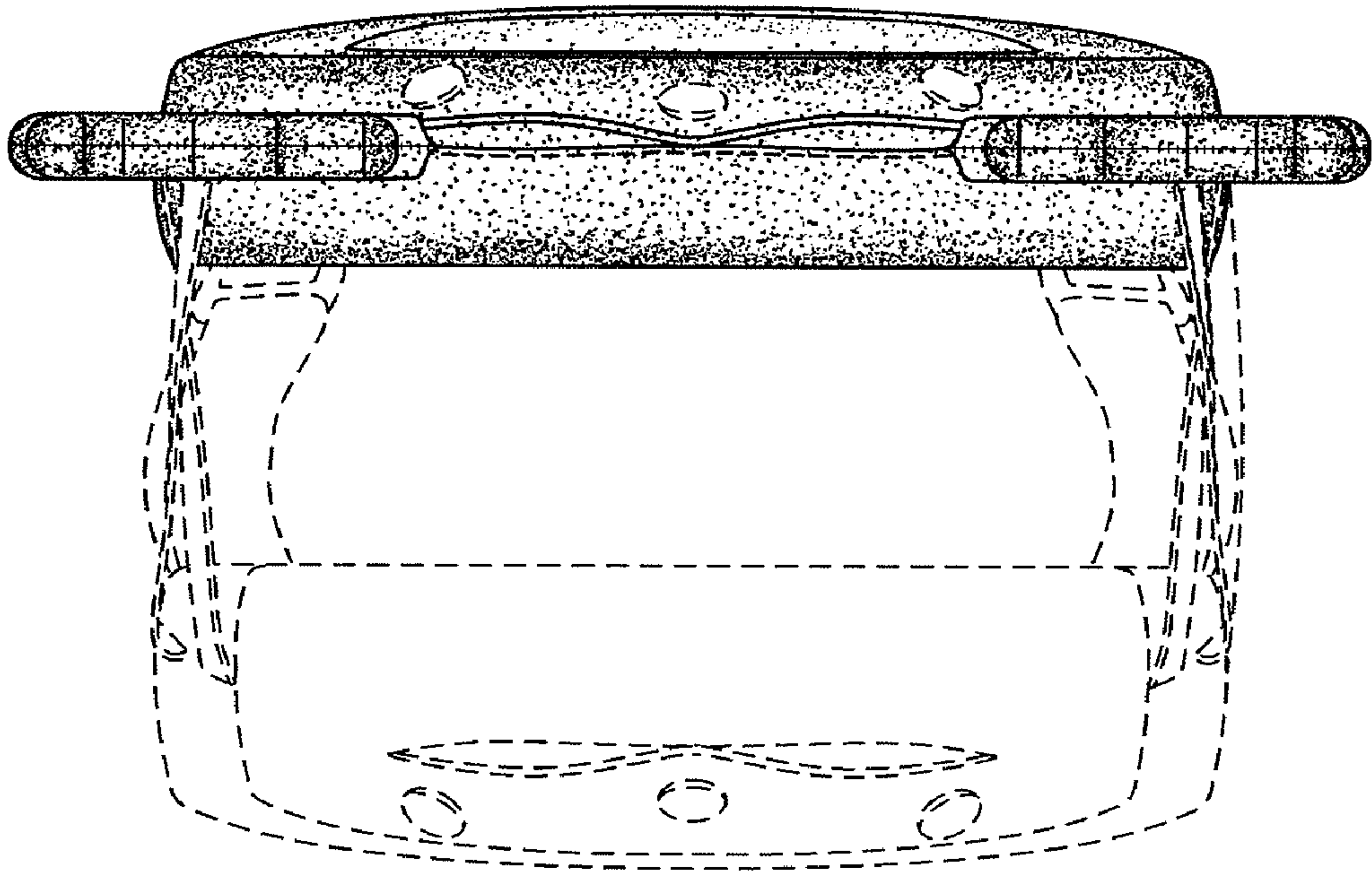


FIG. 5

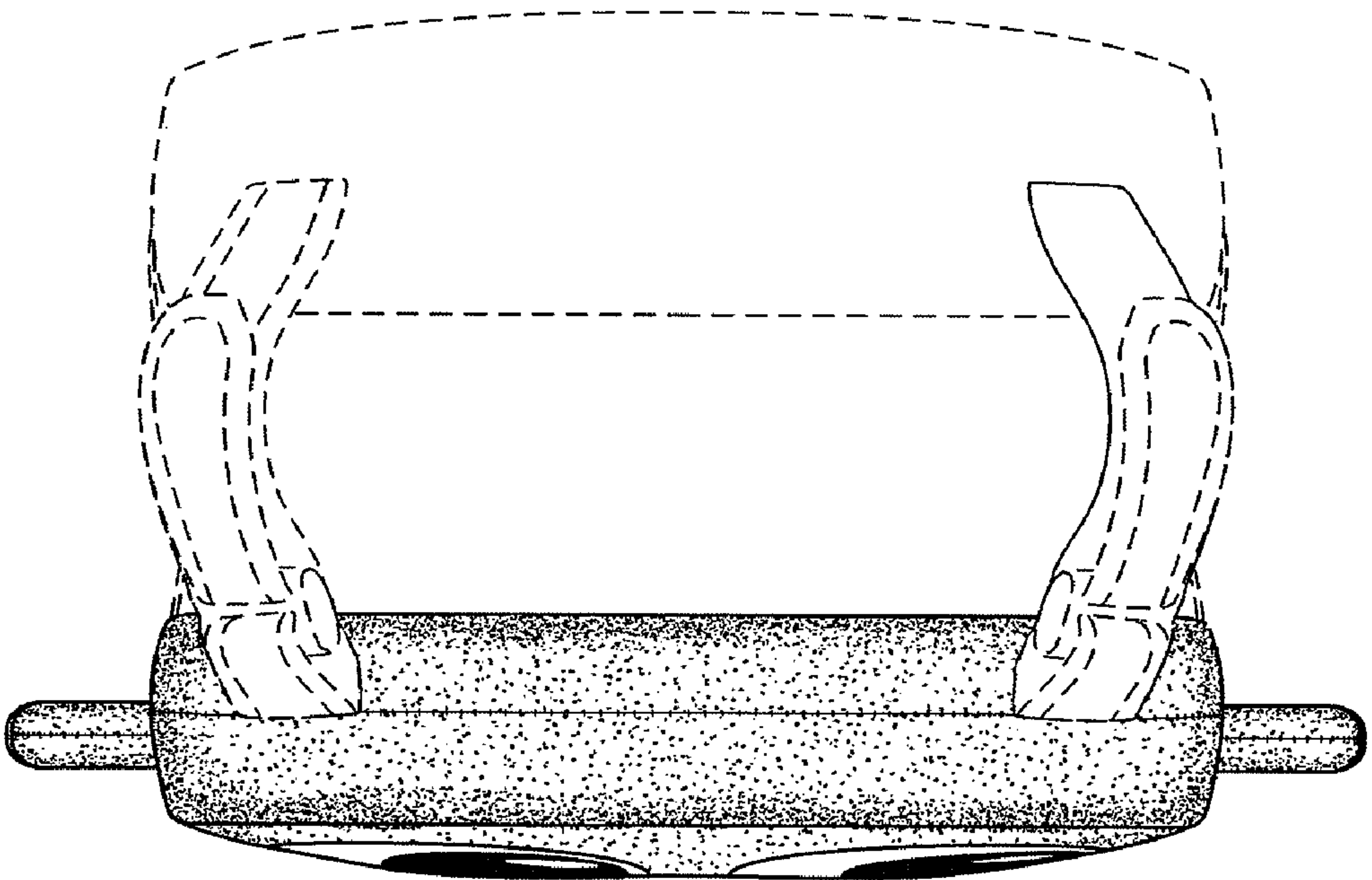


FIG. 6