



US00D607526S

(12) **United States Design Patent**
Hofwegen et al.

(10) **Patent No.:** **US D607,526 S**
(45) **Date of Patent:** **** Jan. 5, 2010**

(54) **GOLF PRACTICE DEVICE**

(75) Inventors: **Robertus C. S. Hofwegen**, Huizen (NL);
Jean-Pierre Burdorf, Laren (NL)

(73) Assignee: **License House Holding B.V.**, Laren
(NH) (NL)

(**) Term: **14 Years**

(21) Appl. No.: **29/314,283**

(22) Filed: **Mar. 18, 2009**

(30) **Foreign Application Priority Data**

Nov. 5, 2008 (EM) 001034334-0001

(51) **LOC (9) Cl.** **21-02**

(52) **U.S. Cl.** **D21/790; D21/791**

(58) **Field of Classification Search** D21/789-791;
473/171, 183, 185, 589, 594; 273/338-339,
273/402

See application file for complete search history.

(56) **References Cited**

U.S. PATENT DOCUMENTS

D83,502 S *	3/1931	Carter	D21/790
2,626,152 A *	1/1953	Miller	473/185
2,719,719 A *	10/1955	Sherwan	473/183
D183,223 S *	7/1958	Neiler	D21/790
D186,276 S *	10/1959	Neiler	D21/790
D201,689 S *	7/1965	Linder	D21/790
D206,333 S *	11/1966	Portteus	D21/790
D239,299 S *	3/1976	O'Shea	D21/790
D273,803 S *	5/1984	Johnson	D21/790

4,726,591 A *	2/1988	Johnson	273/339
D336,618 S *	6/1993	Smith	D21/790
D348,501 S *	7/1994	Wong	D21/790
D372,289 S *	7/1996	Whittaker	D21/790
5,954,590 A *	9/1999	Nixey	473/185
D425,596 S *	5/2000	Valvonis	D21/789
D470,906 S *	2/2003	Shaw	D21/791
D505,471 S *	5/2005	Caramico	D21/789

* cited by examiner

Primary Examiner—Mitchell I Siegel

(74) *Attorney, Agent, or Firm*—Abelman, Frayne & Schwab

(57) **CLAIM**

The ornamental design for a golf practice device, as shown and described.

DESCRIPTION

FIG. 1 is a front top and left side perspective view of the golf practice device constructed according to our design;

FIG. 2 is a front elevational view thereof;

FIG. 3 is a left side elevational view thereof, the right side elevational view being a mirror image thereof;

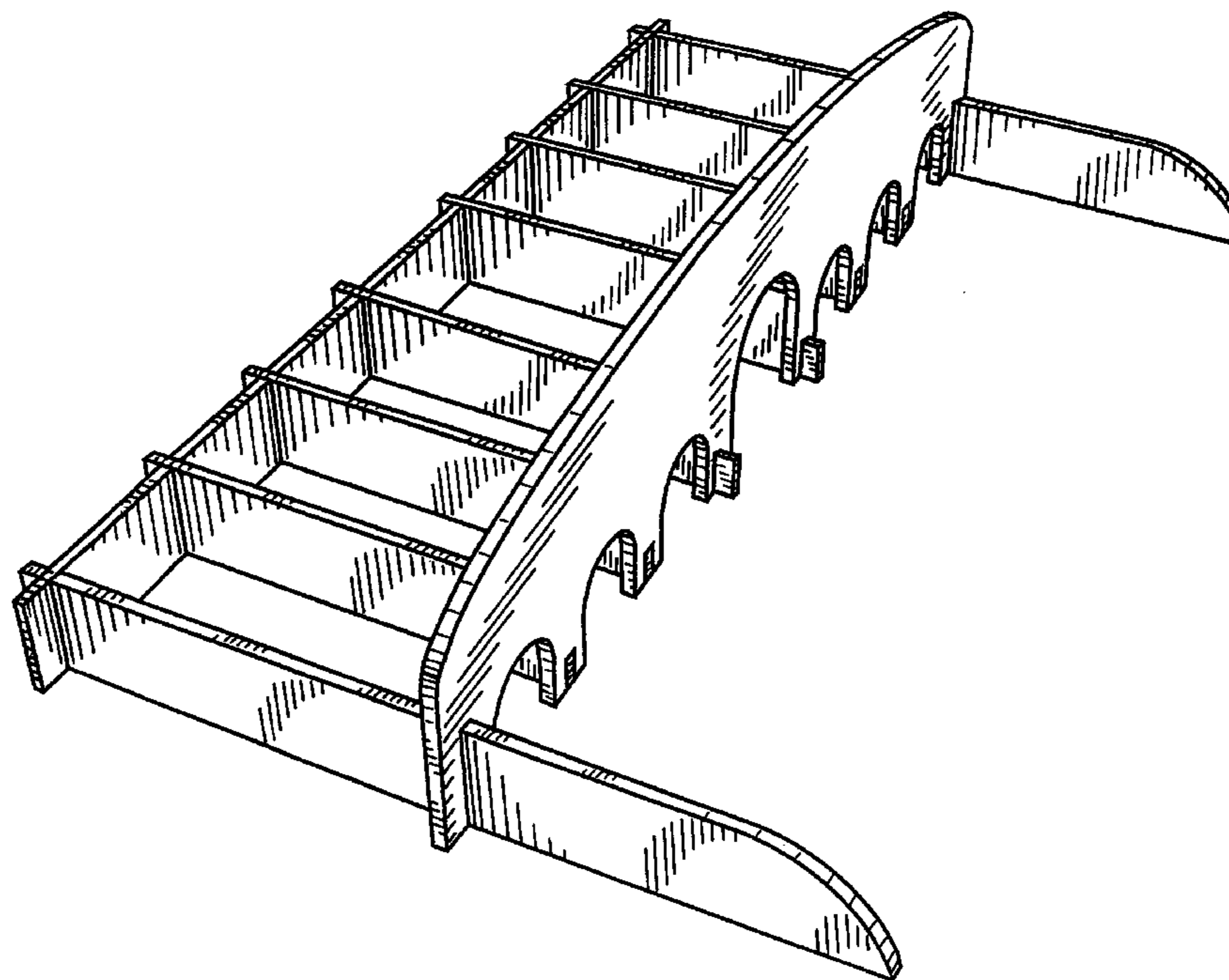
FIG. 4 is a top plan view thereof;

FIG. 5 is an elevational view of the front board, shown for clarity of illustration;

FIG. 6 is an exploded elevational view of the remaining boards, shown for clarity of illustration; and,

FIG. 7 is a rear elevational view of the golf practice device of FIG. 1.

1 Claim, 5 Drawing Sheets



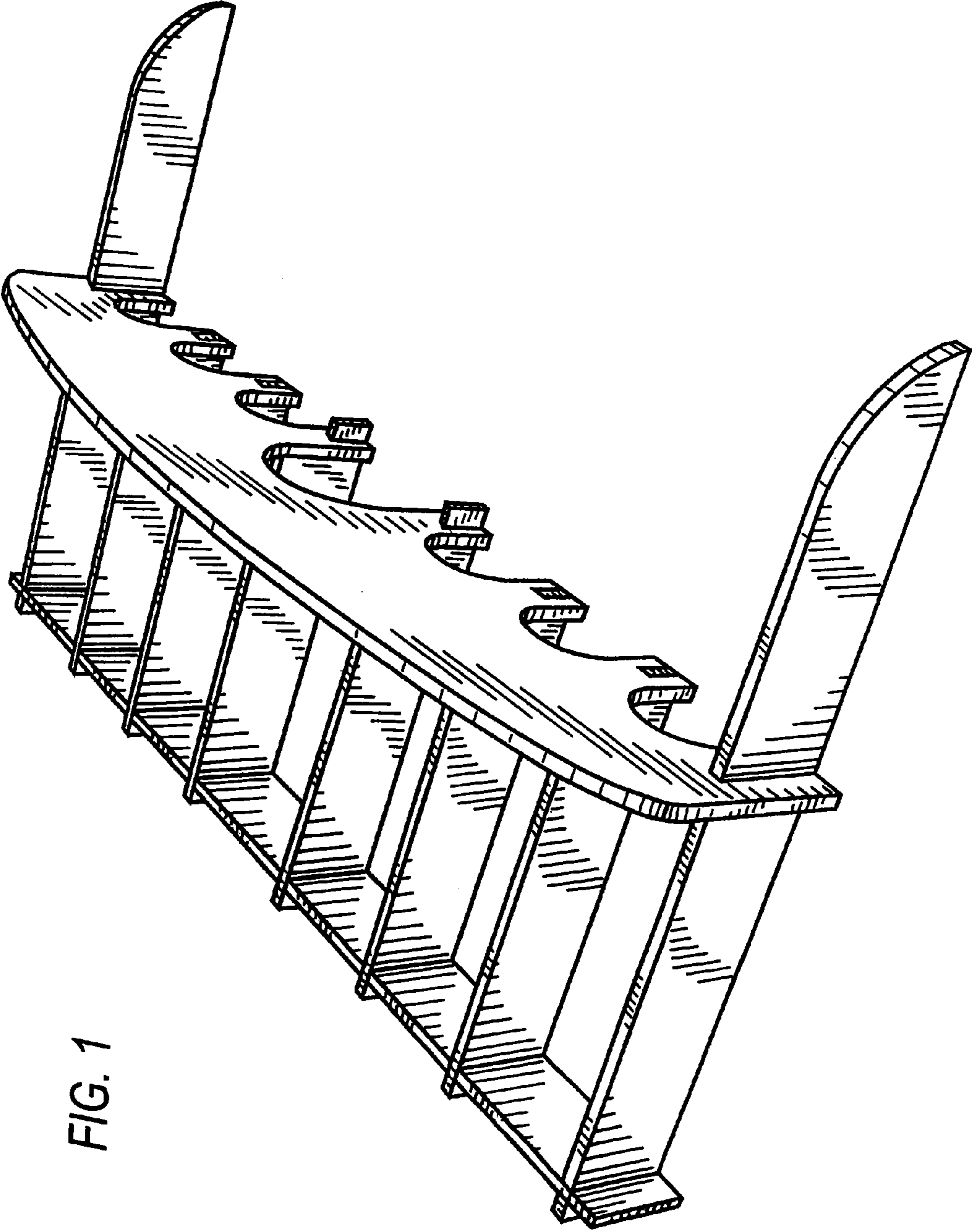


FIG. 1

FIG. 2

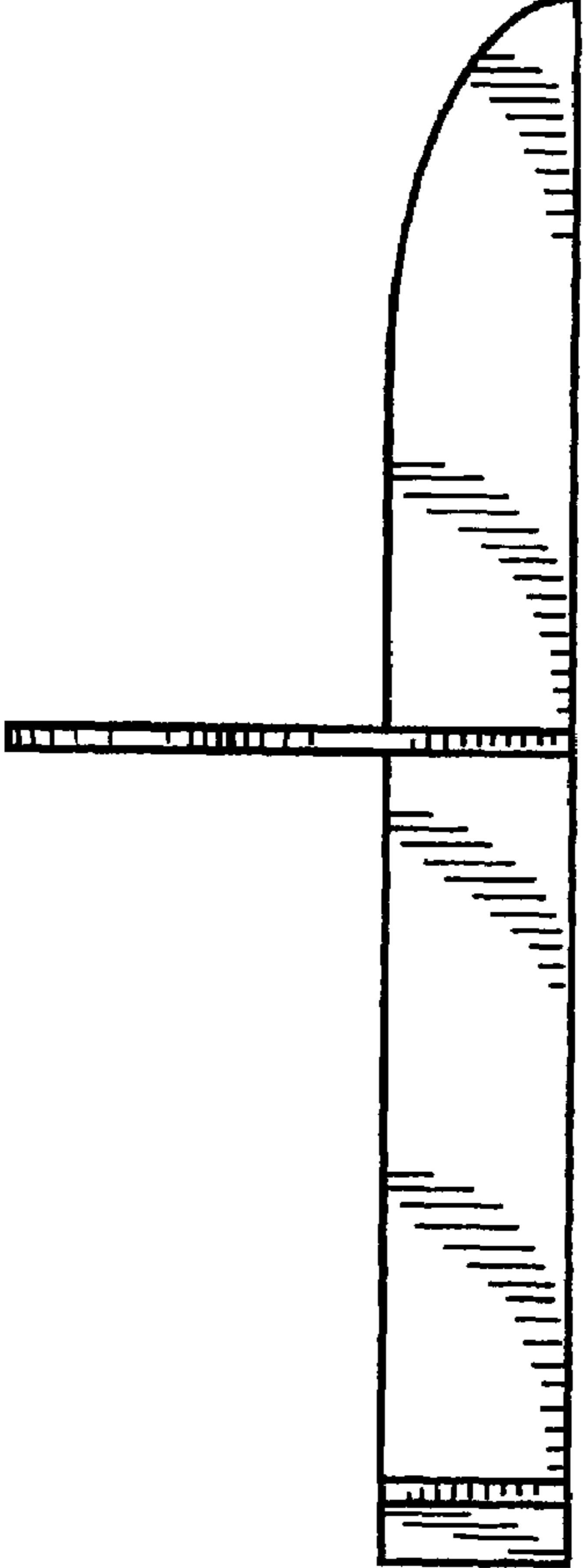
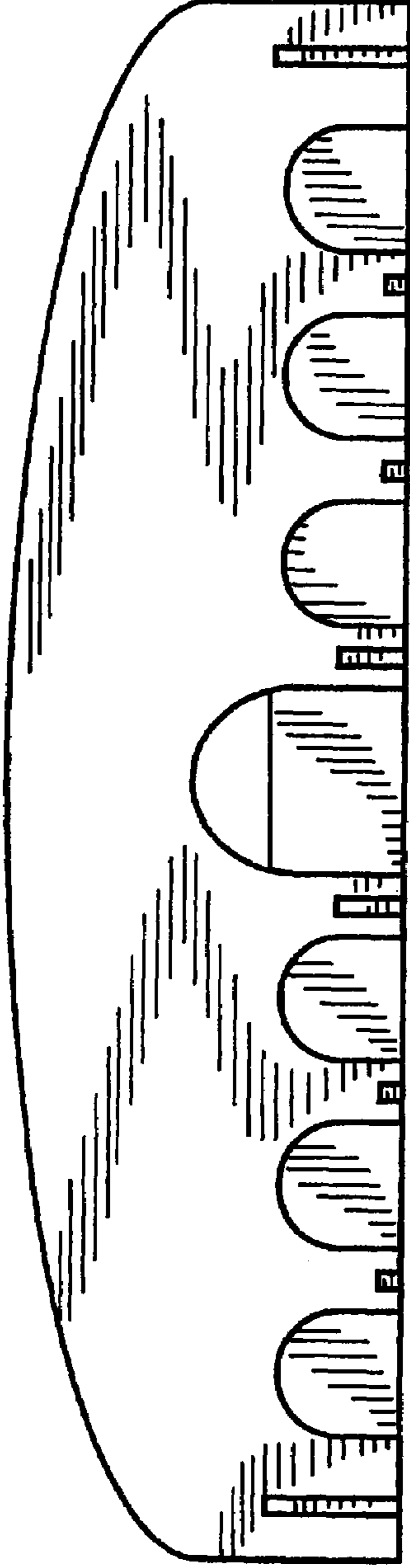


FIG. 3

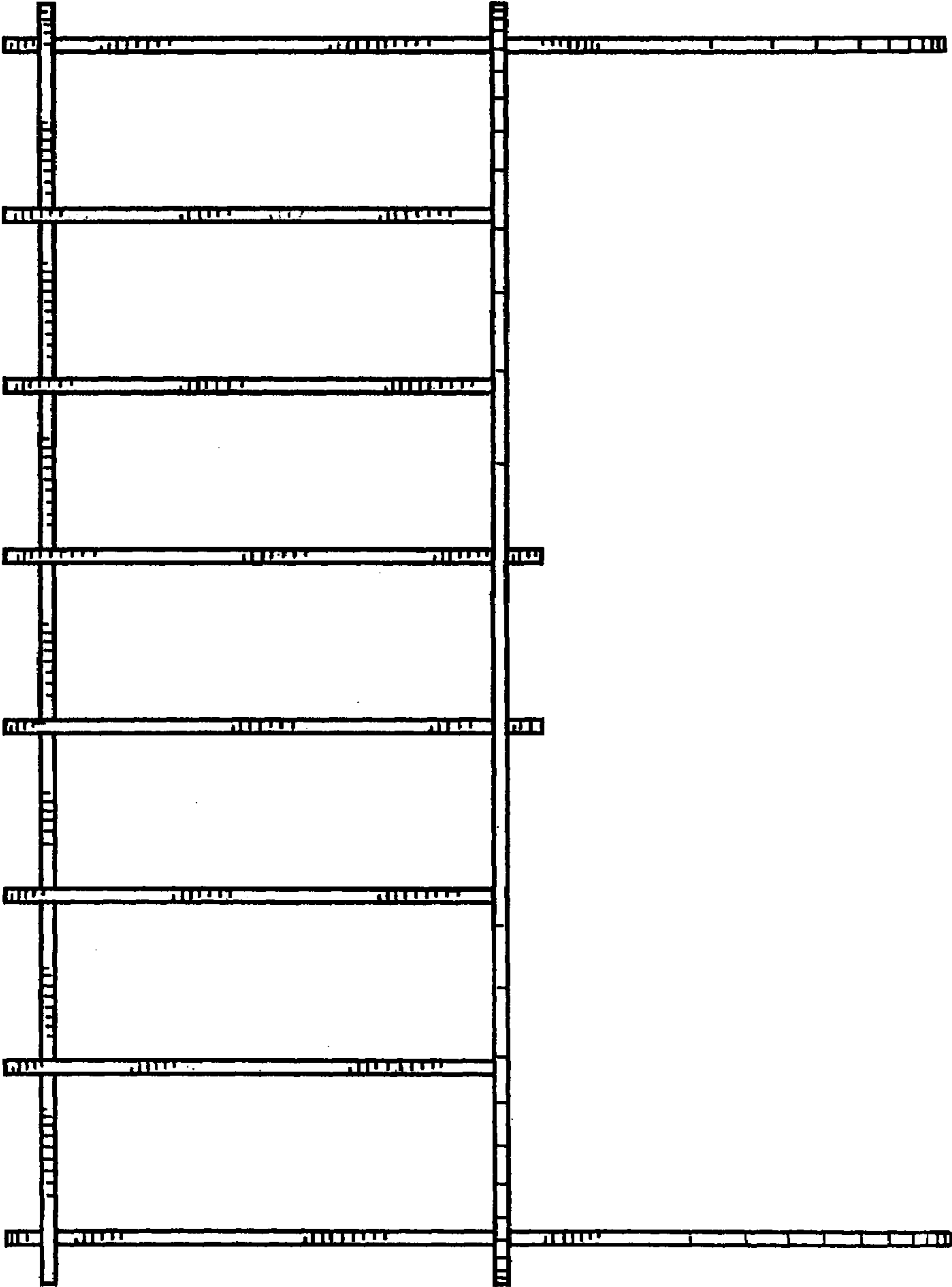


FIG. 4

FIG. 5

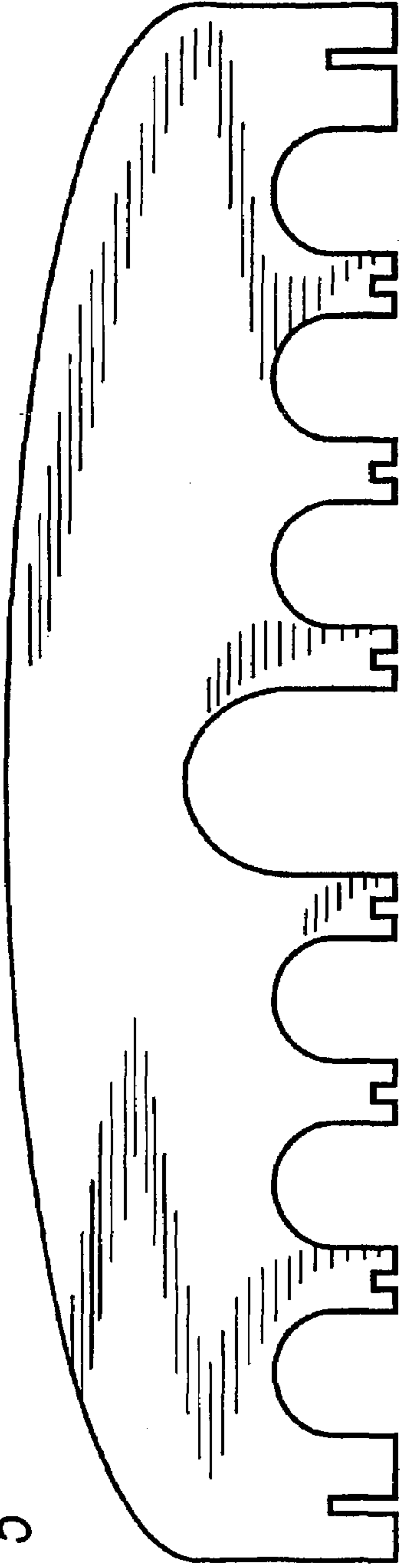


FIG. 6

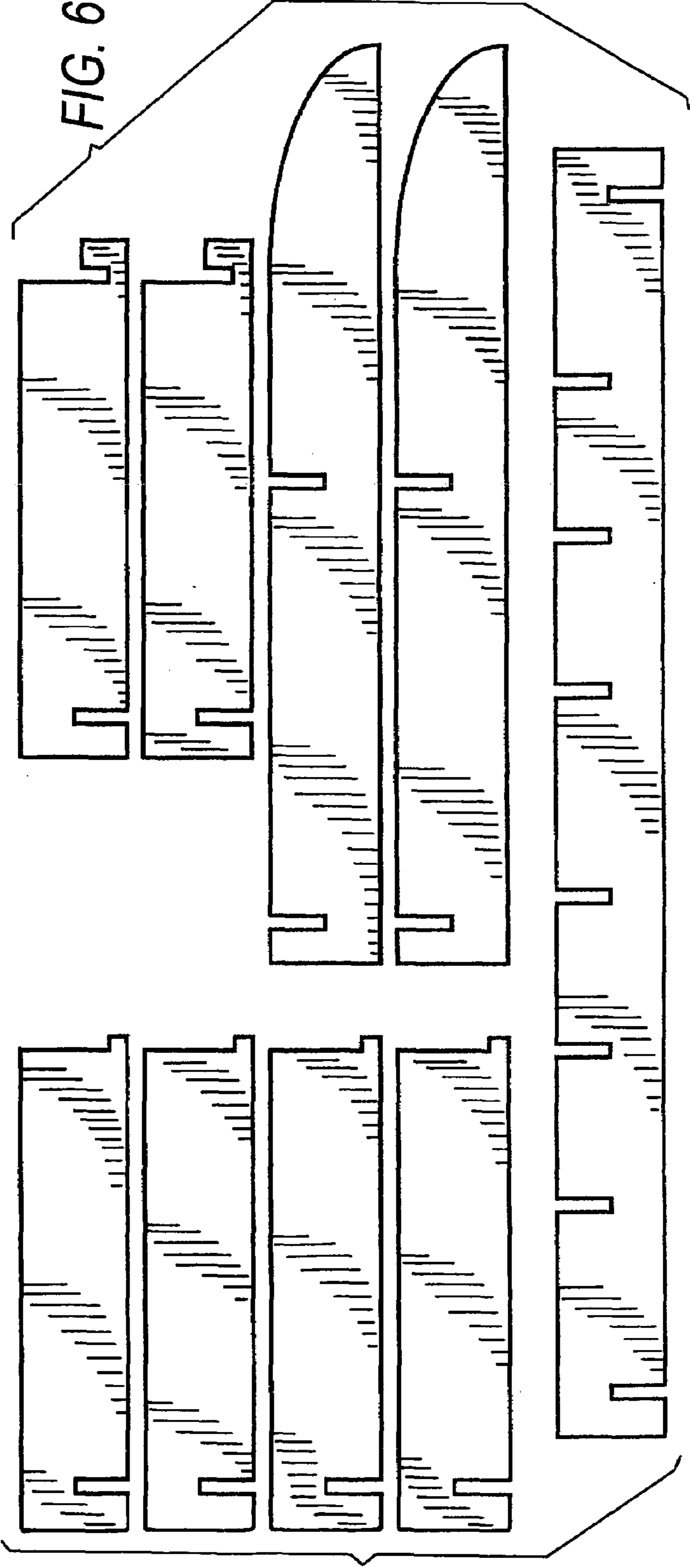


FIG. 7

