



US00D607518S

(12) **United States Design Patent**
Poolman et al.

(10) **Patent No.:** **US D607,518 S**
(45) **Date of Patent:** **** Jan. 5, 2010**

(54) **MOBILE TOY ROBOT**

(75) Inventors: **Johannes Petrus Jacobus Poolman**,
Pretoria (ZA); **Christian Kunneke**,
Pretoria (ZA); **Johannes Gerhardus**
Benadé, Centurion (ZA); **Pieter Etienne**
Dreyer, Edenvale (ZA)

(73) Assignee: **Robonica (Proprietary) Limited**,
Centurion (ZA)

(**) Term: **14 Years**

(21) Appl. No.: **29/301,007**

(22) Filed: **Feb. 6, 2008**

(51) **LOC (9) Cl.** **21-01**

(52) **U.S. Cl.** **D21/550**

(58) **Field of Classification Search** D21/548–550,
D21/561, 562, 433, 434; D12/82, 86, 88–91;
446/465, 466, 468, 469, 470, 427, 431, 437,
446/454–456

See application file for complete search history.

(56) **References Cited**

U.S. PATENT DOCUMENTS

D245,642 S * 8/1977 Young D21/533
D294,278 S * 2/1988 Ukisu D21/560
D362,280 S * 9/1995 George D21/550
5,819,008 A 10/1998 Asama et al.
6,939,197 B1 * 9/2005 Hoeting 446/437
D527,772 S * 9/2006 Bowen et al. D21/533

7,234,992 B2 * 6/2007 Weiss et al. 446/454
D590,894 S * 4/2009 Martino D21/533
2002/0137428 A1 * 9/2002 Tilbor et al. 446/465
2004/0198165 A1 * 10/2004 Lee et al. 446/427
2005/0148282 A1 * 7/2005 Moll et al. 446/456
2006/0211332 A1 * 9/2006 Leonov et al. 446/465
2009/0149113 A1 * 6/2009 Lund et al. 446/454

* cited by examiner

Primary Examiner—Holly H Baynham

Assistant Examiner—Cynthia M Chin

(74) *Attorney, Agent, or Firm*—Lahive & Cockfield, LLP;
Anthony A. Laurentano, Esq.

(57) **CLAIM**

The ornamental design for a mobile toy robot, as shown and described.

DESCRIPTION

FIG. 1 is a perspective view of a mobile toy robot showing the design.

FIG. 2 is a left side view of a mobile toy robot.

FIG. 3 is a right side view of a mobile toy robot.

FIG. 4 is a rear view of a mobile toy robot.

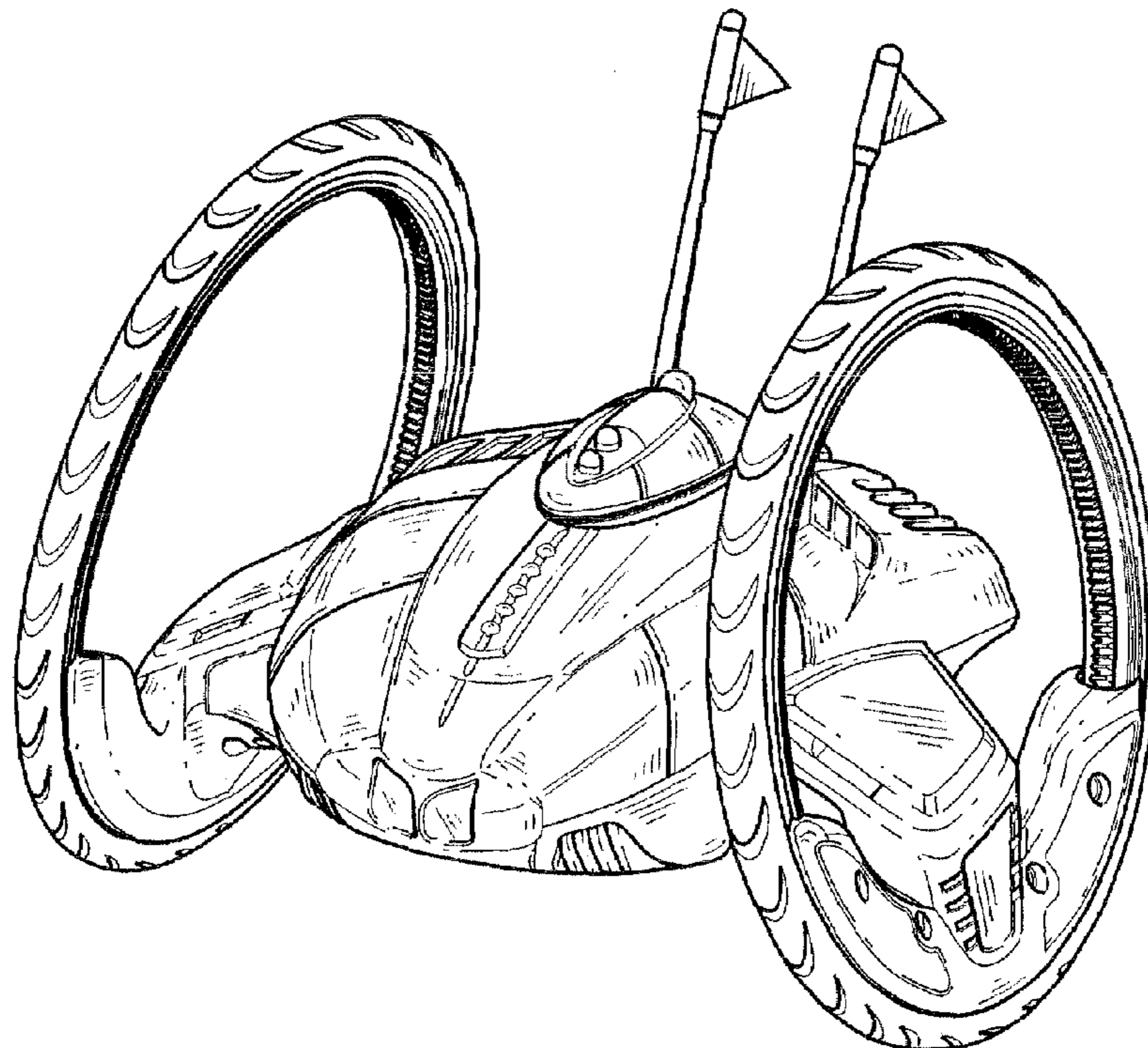
FIG. 5 is a front view of a mobile toy robot.

FIG. 6 is a plan view of a mobile toy robot; and,

FIG. 7 is a bottom view of a mobile toy robot.

The broken lines represent portions of the design that form no part of the claim.

1 Claim, 4 Drawing Sheets



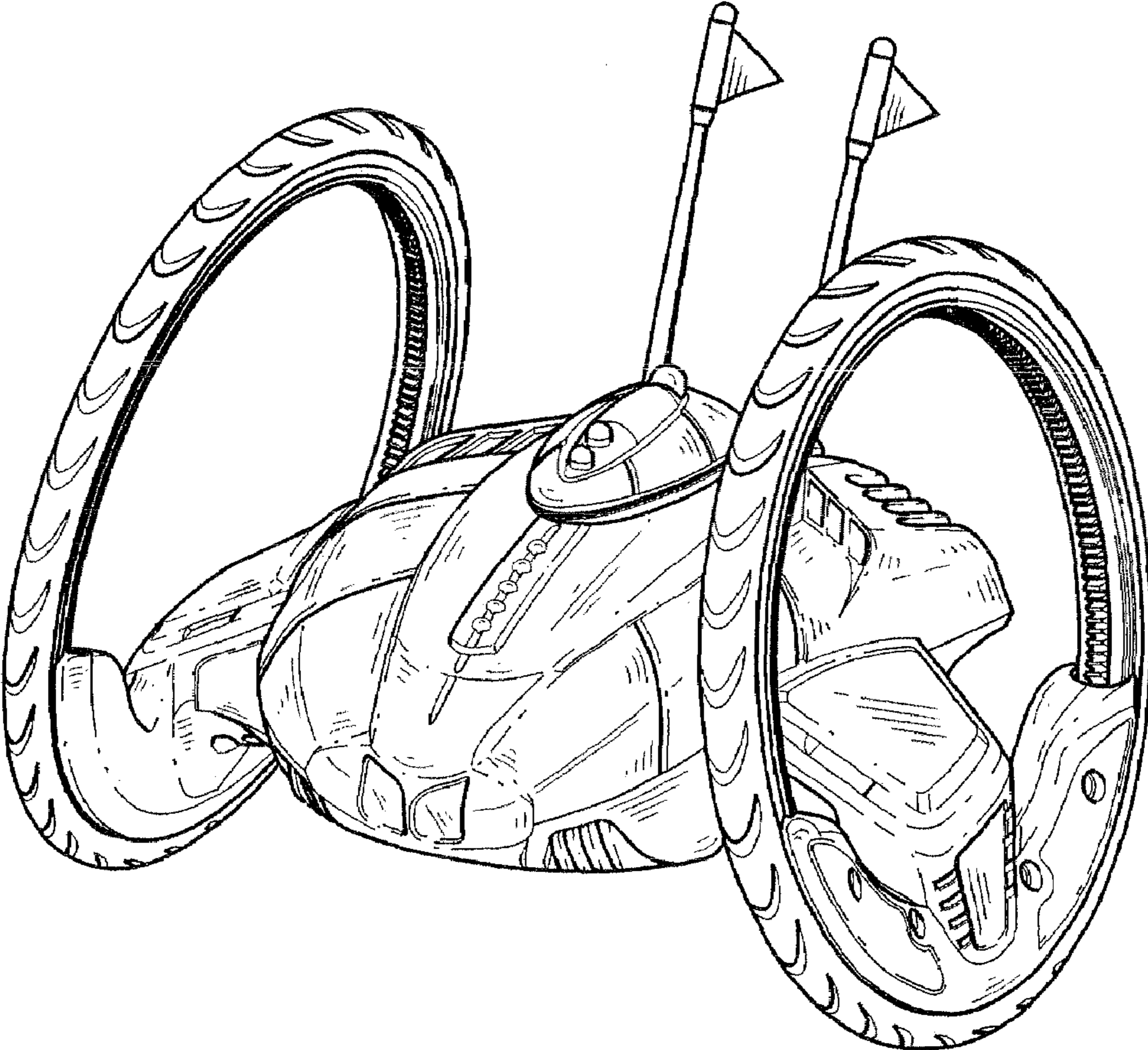


Fig. 1

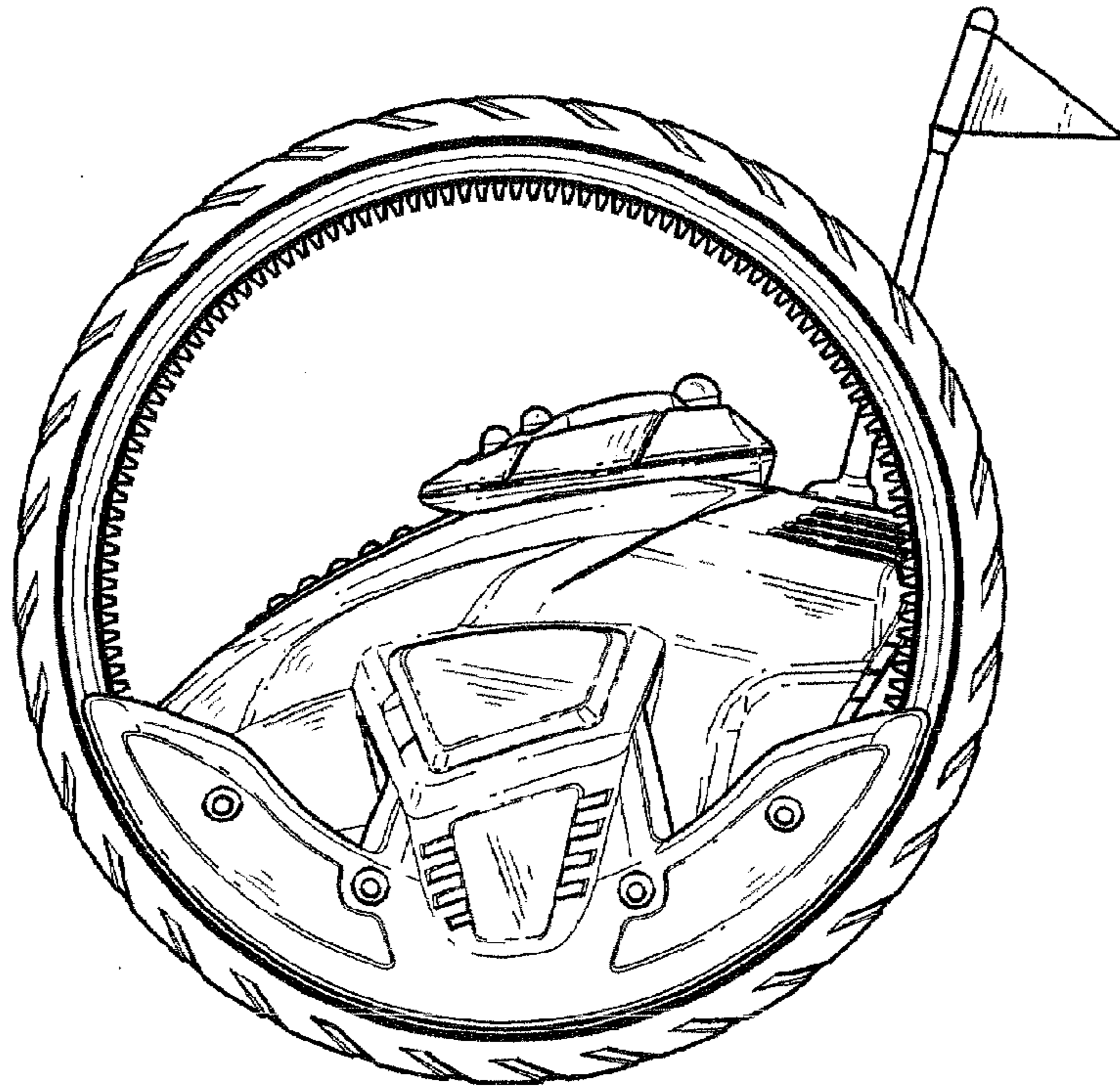


Fig. 2

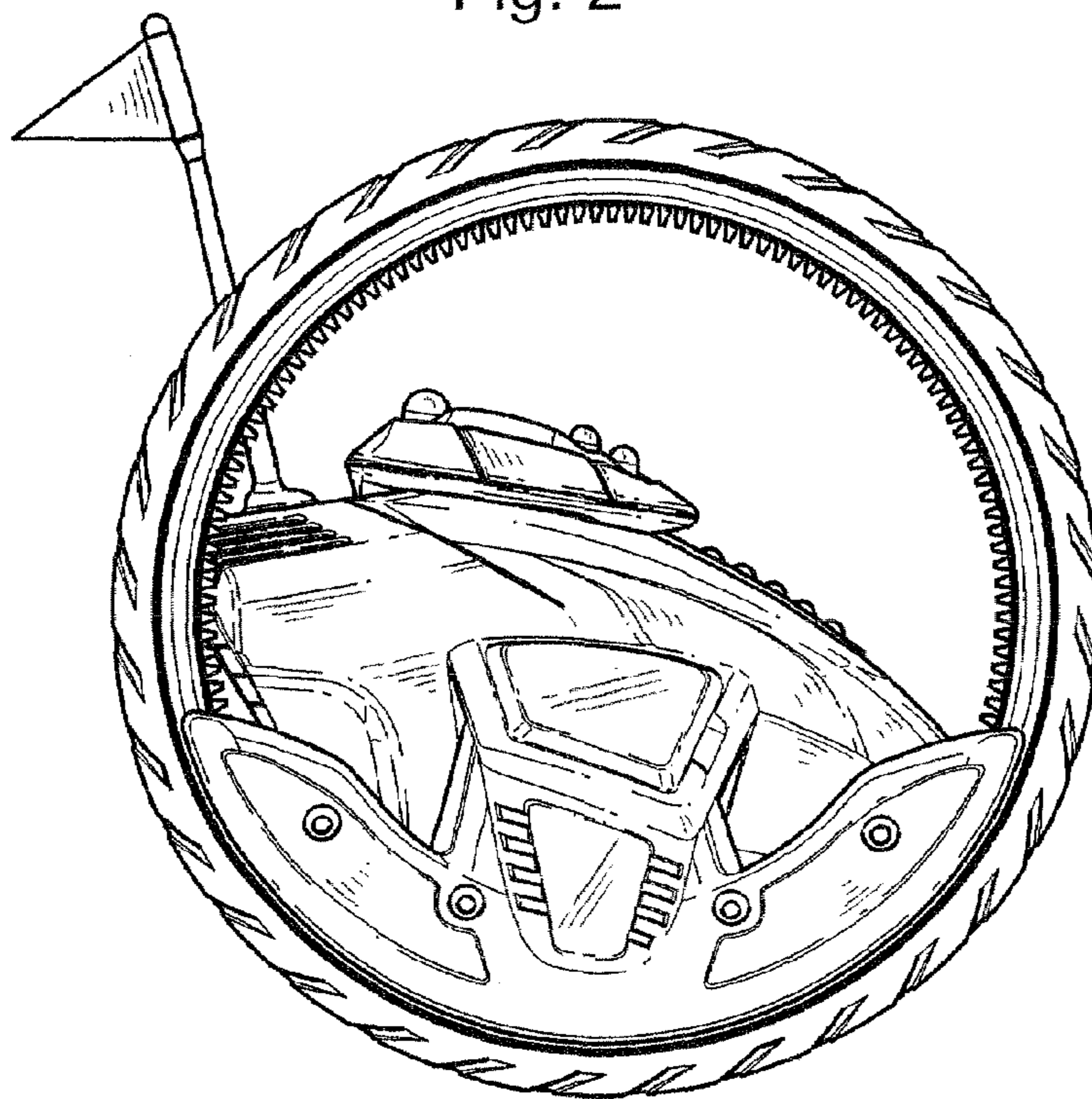


Fig. 3

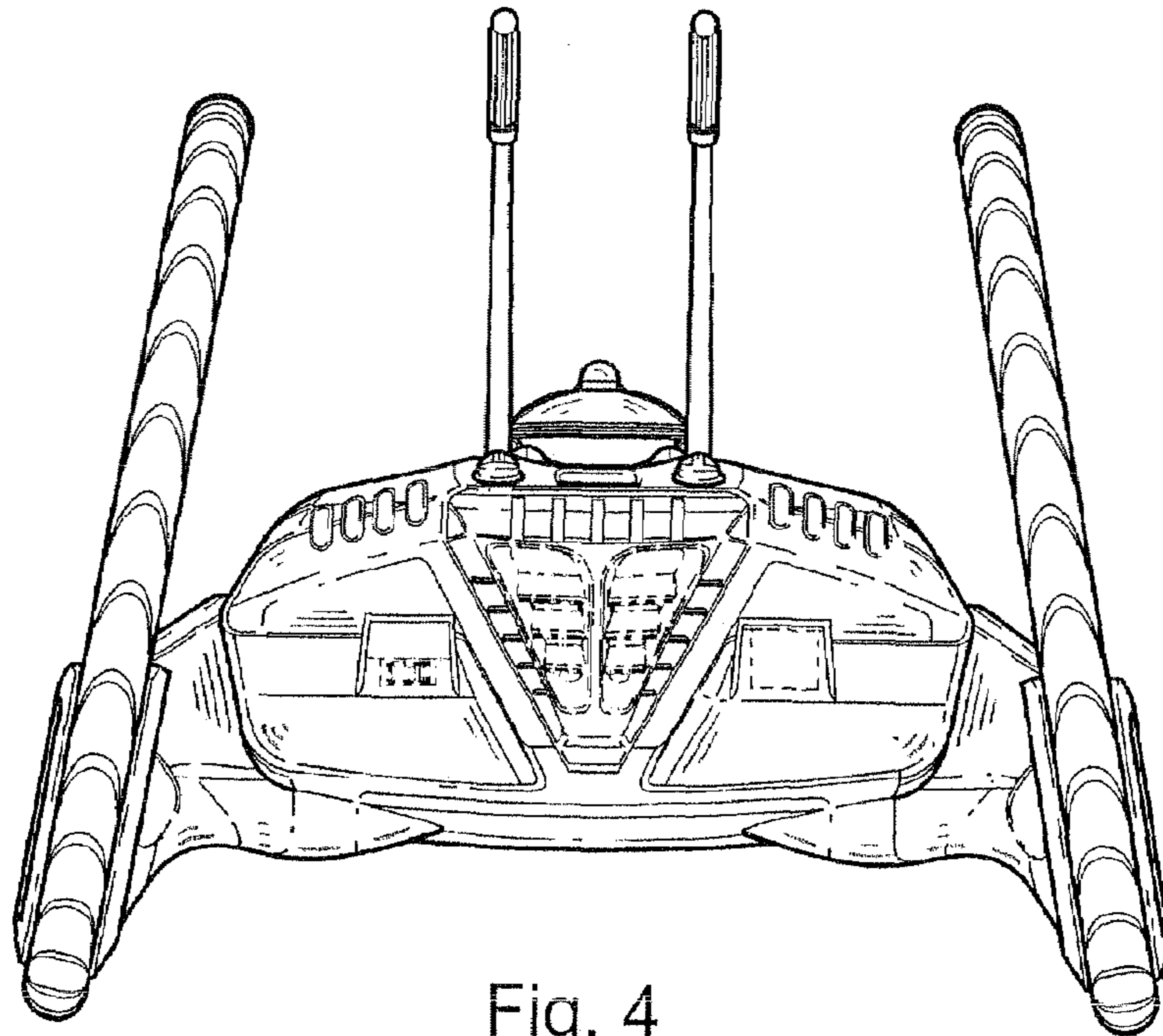


Fig. 4

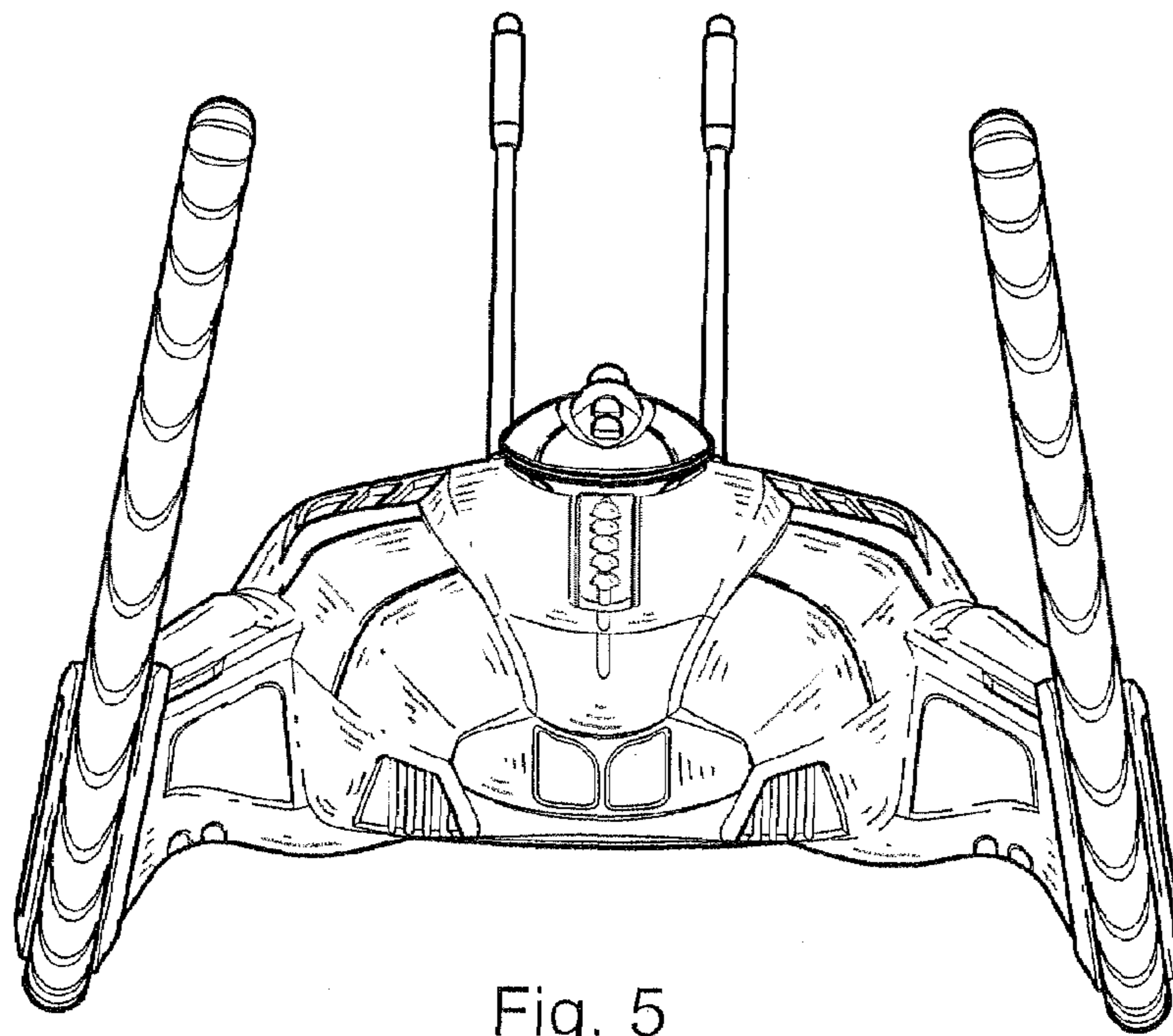


Fig. 5

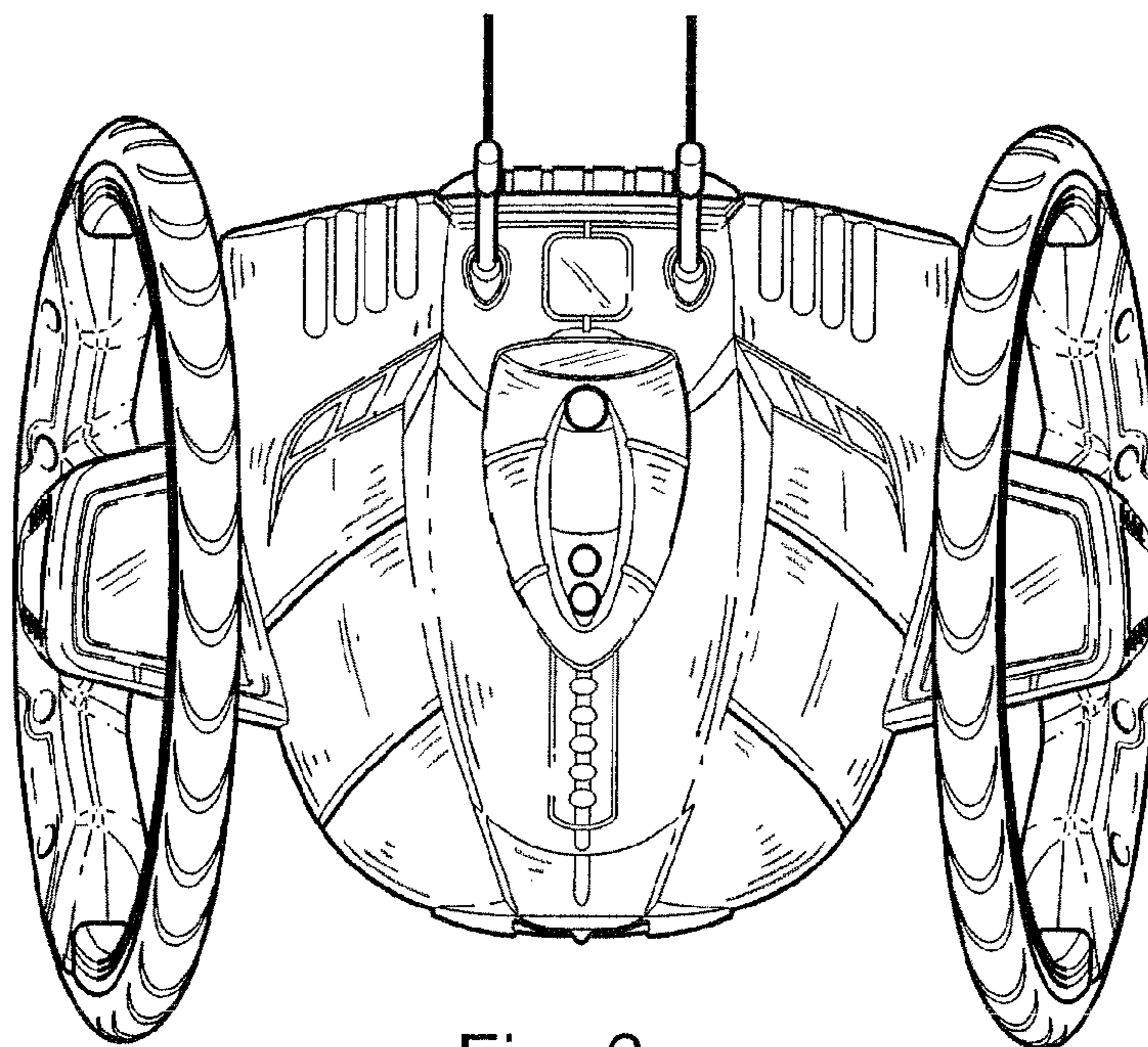


Fig. 6

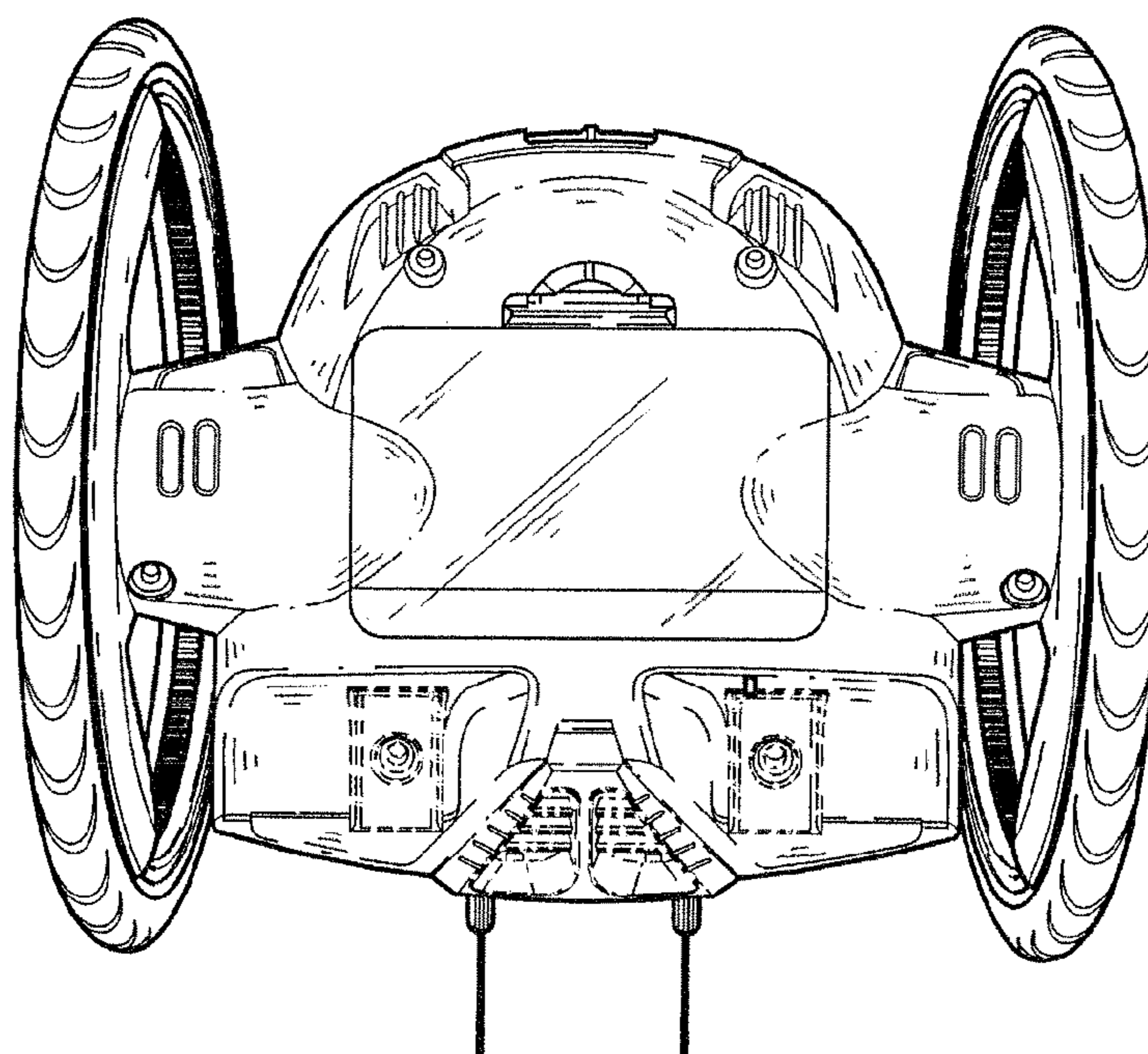


Fig. 7