



US00D607515S

(12) **United States Design Patent**  
**Oikawa et al.**

(10) **Patent No.:** **US D607,515 S**

(45) **Date of Patent:** **\*\* Jan. 5, 2010**

(54) **HAND HELD GAME CONTROLLER**

(75) Inventors: **Yuji Oikawa**, Marina Del Rey, CA (US);  
**Hiroya Fujii**, Los Angeles, CA (US);  
**Isamu Arie**, Santa Monica, CA (US);  
**Ronald Clark**, Los Angeles, CA (US)

(73) Assignee: **Sony Computer Entertainment Inc.**,  
Tokyo (JP)

(\*\*) Term: **14 Years**

(21) Appl. No.: **29/321,946**

(22) Filed: **Jul. 25, 2008**

(51) **LOC (9) Cl.** ..... **21-01**

(52) **U.S. Cl.** ..... **D21/333; D14/412**

(58) **Field of Classification Search** ..... D21/324,  
D21/328, 332, 333; D14/217, 218, 356,  
D14/388, 399, 440, 401, 412-416, 435, 454-457,  
D14/496; 273/148 B; 463/1, 29-38, 46,  
463/47; 345/156-161, 905

See application file for complete search history.

(56) **References Cited**

**U.S. PATENT DOCUMENTS**

4,969,647 A \* 11/1990 Mical et al. .... 463/31  
5,296,871 A \* 3/1994 Paley ..... 345/163  
5,332,322 A \* 7/1994 Gambaro ..... 400/489  
5,506,605 A \* 4/1996 Paley ..... 345/163  
5,645,277 A \* 7/1997 Cheng ..... 273/148 B  
6,809,722 B2 \* 10/2004 Mei et al. .... 345/163  
D556,759 S \* 12/2007 Kawanobe et al. .... D14/401

D559,254 S \* 1/2008 Ashida et al. .... D14/400  
D567,243 S \* 4/2008 Ashida et al. .... D14/412  
D568,882 S \* 5/2008 Ashida et al. .... D14/400  
D575,284 S \* 8/2008 Ashida et al. .... D14/400  
D576,624 S \* 9/2008 Ashida et al. .... D14/400

\* cited by examiner

*Primary Examiner*—Prabhakar Deshmukh

(74) *Attorney, Agent, or Firm*—Martine Penilla &  
Gencarella, LLP

(57) **CLAIM**

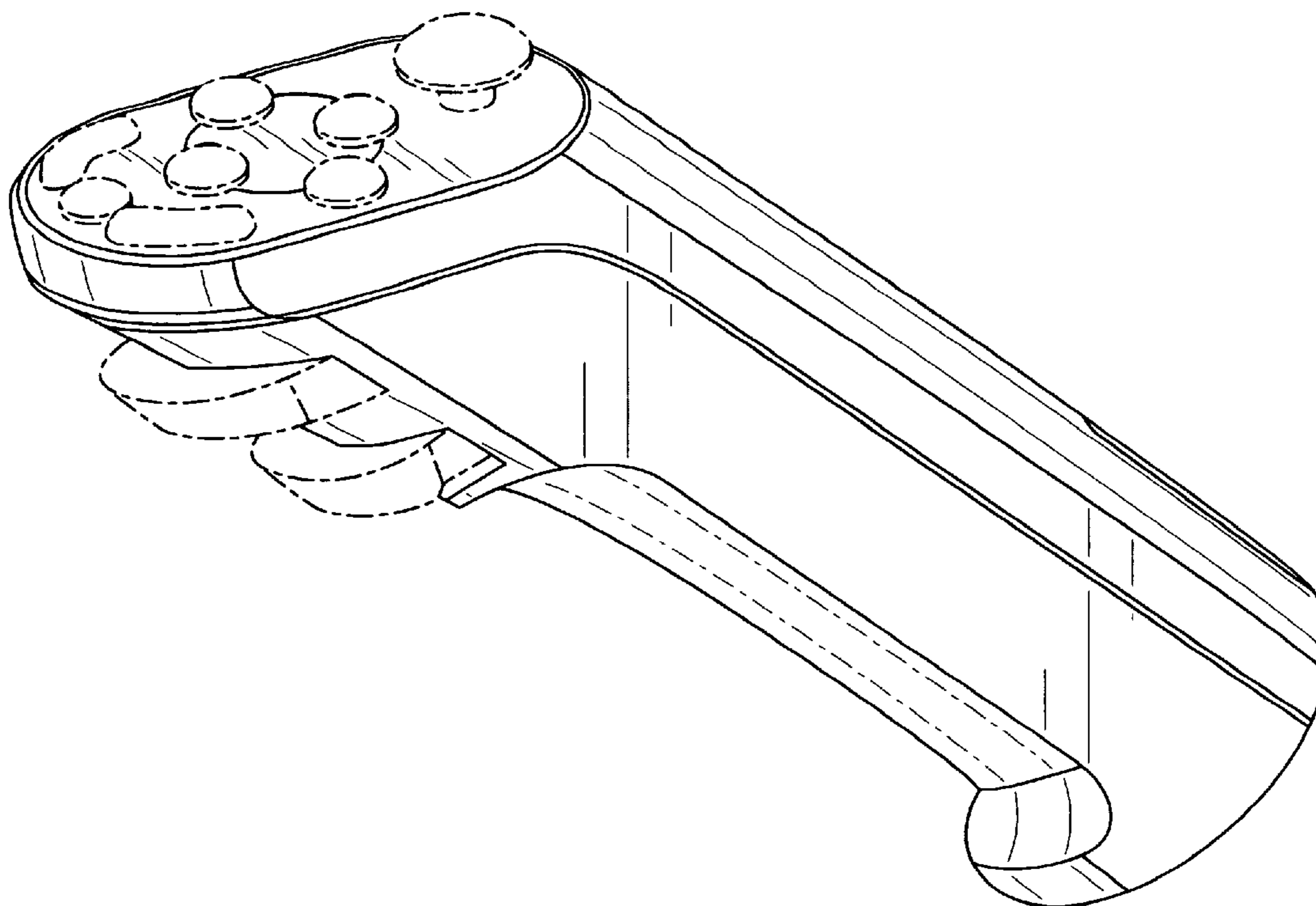
The ornamental design for a hand held game controller, as shown and described.

**DESCRIPTION**

FIG. 1 is a perspective view of a hand held game controller;  
FIG. 2 is a front view thereof;  
FIG. 3 is a rear view thereof;  
FIG. 4 is a right side view thereof;  
FIG. 5 is a left right side view thereof;  
FIG. 6 is a top view thereof; and  
FIG. 7 is a bottom view thereof; and,  
FIG. 8 is a perspective view of the hand held game controller,  
as used by a user.

The broken lines showing of a hand in FIG. 8 and all other environmental features are for illustrative purposes only and form no part of the claimed design.

**1 Claim, 6 Drawing Sheets**



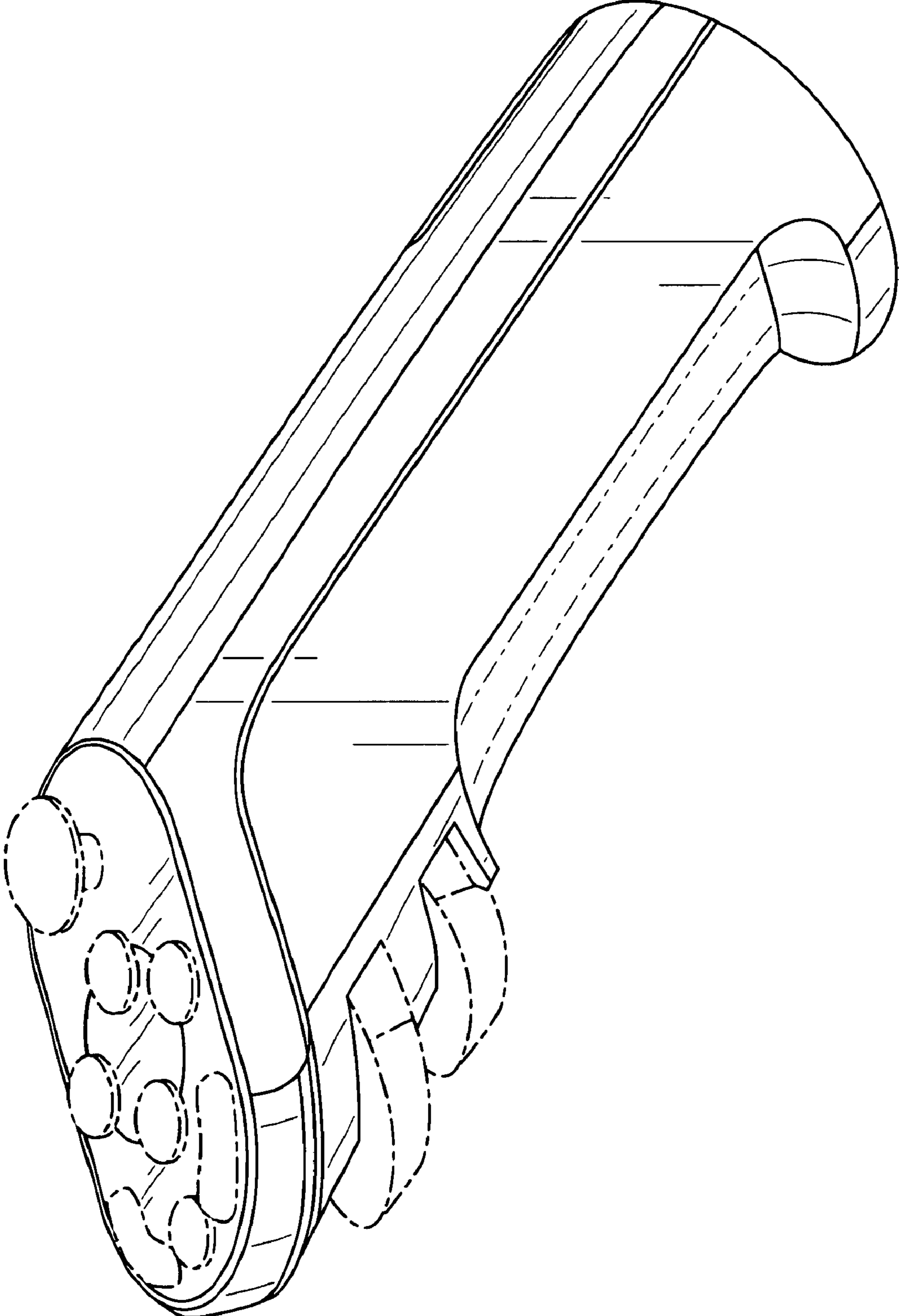


FIG. 1

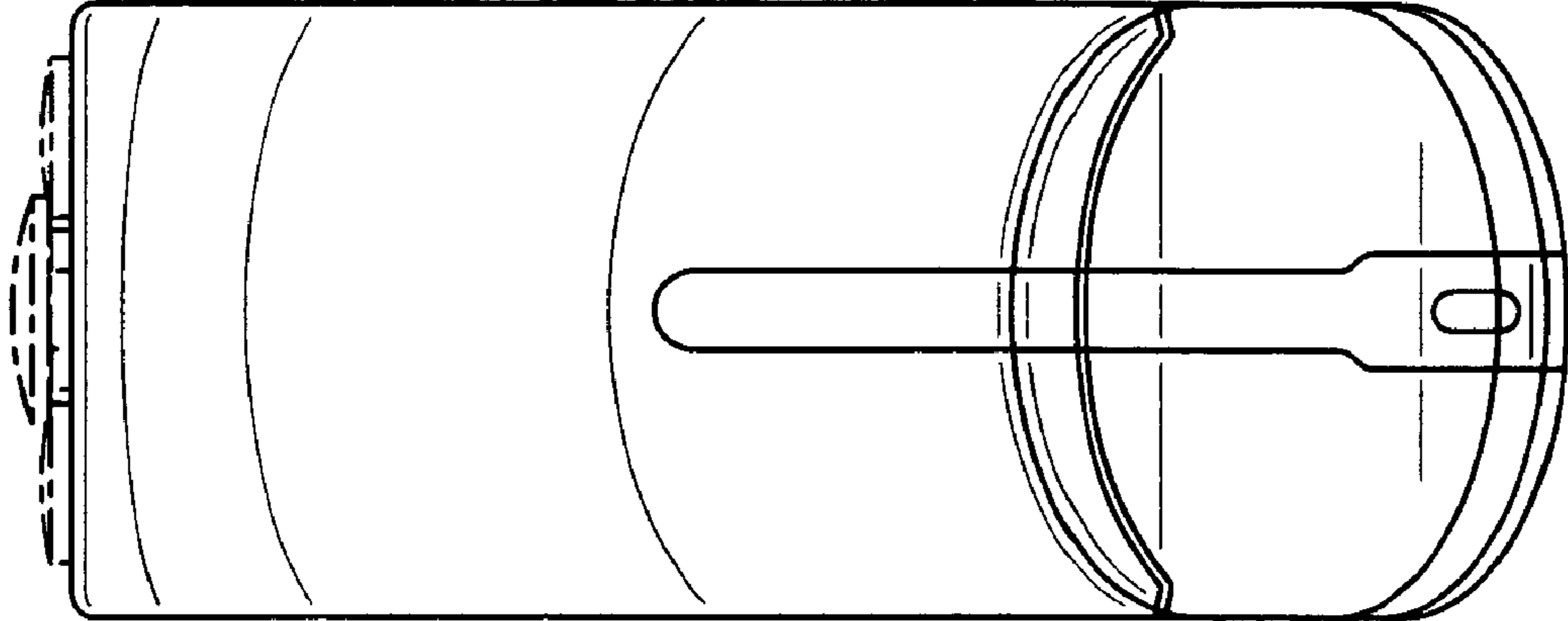


FIG. 3

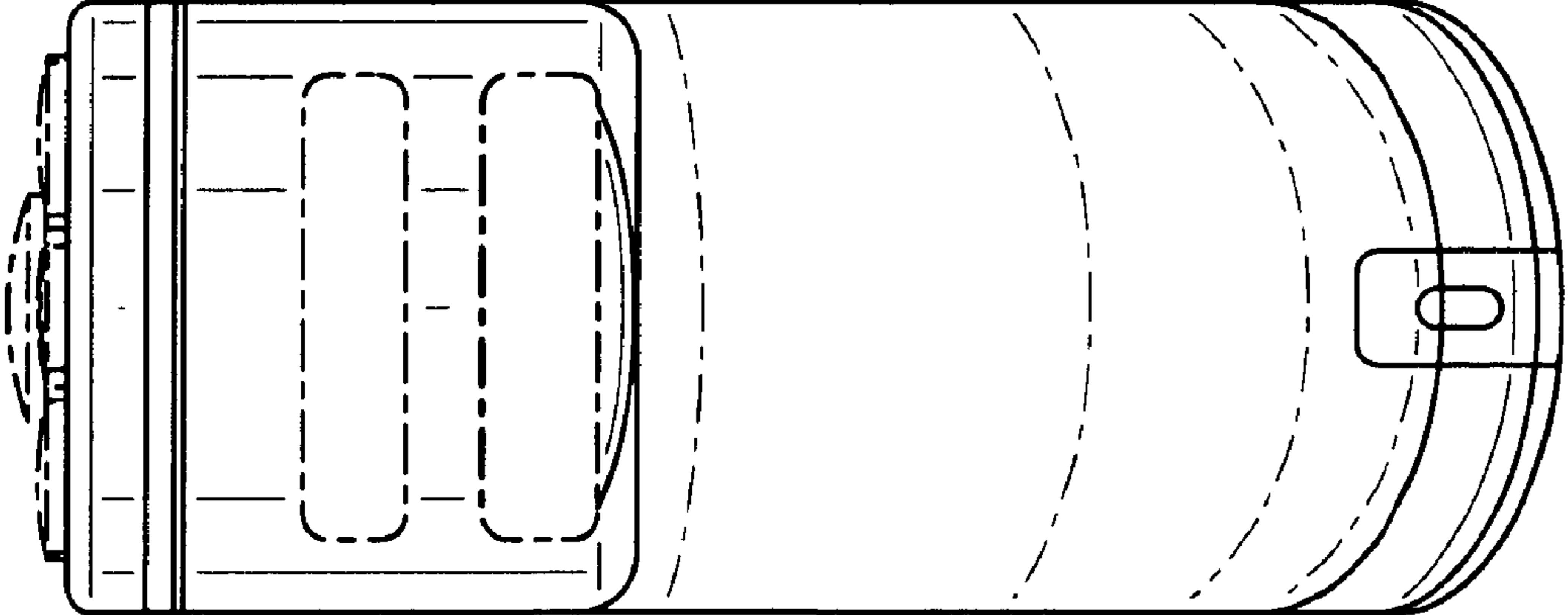


FIG. 2

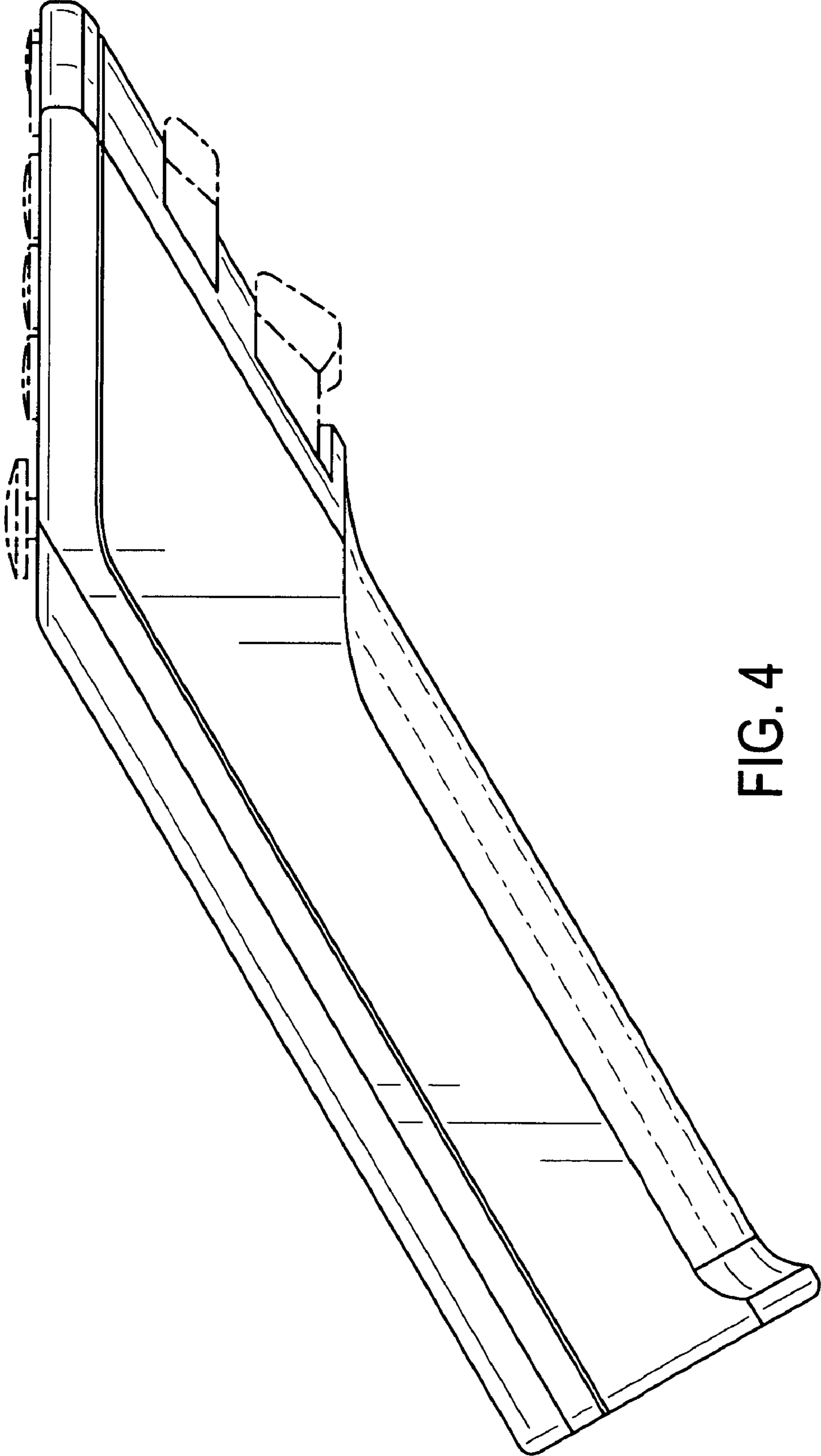


FIG. 4

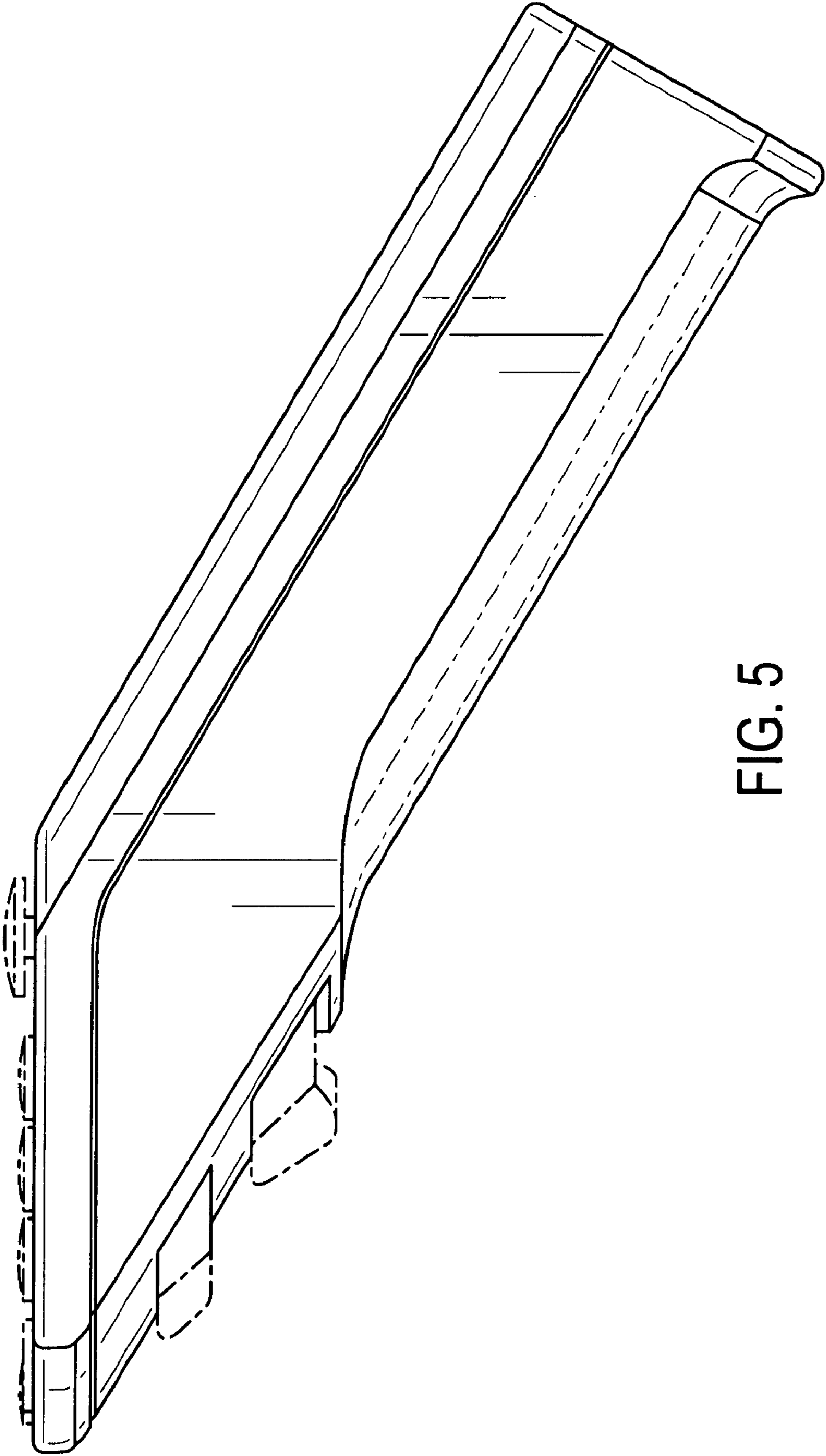


FIG. 5



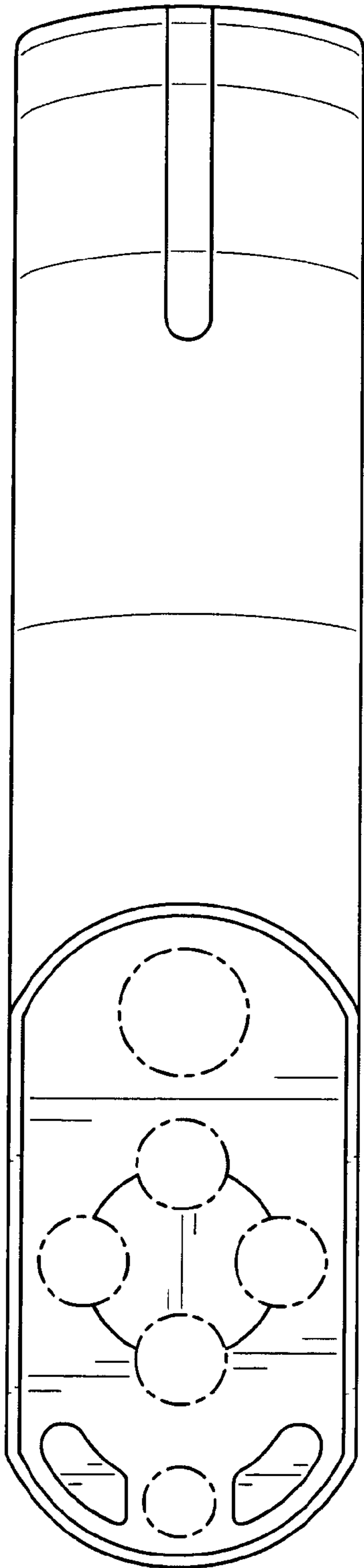


FIG. 6

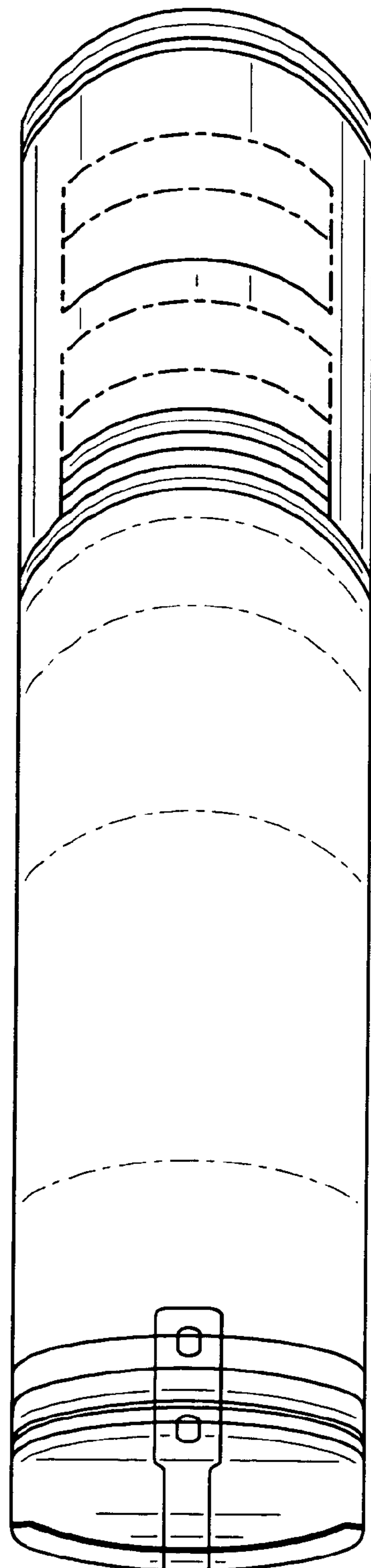


FIG. 7

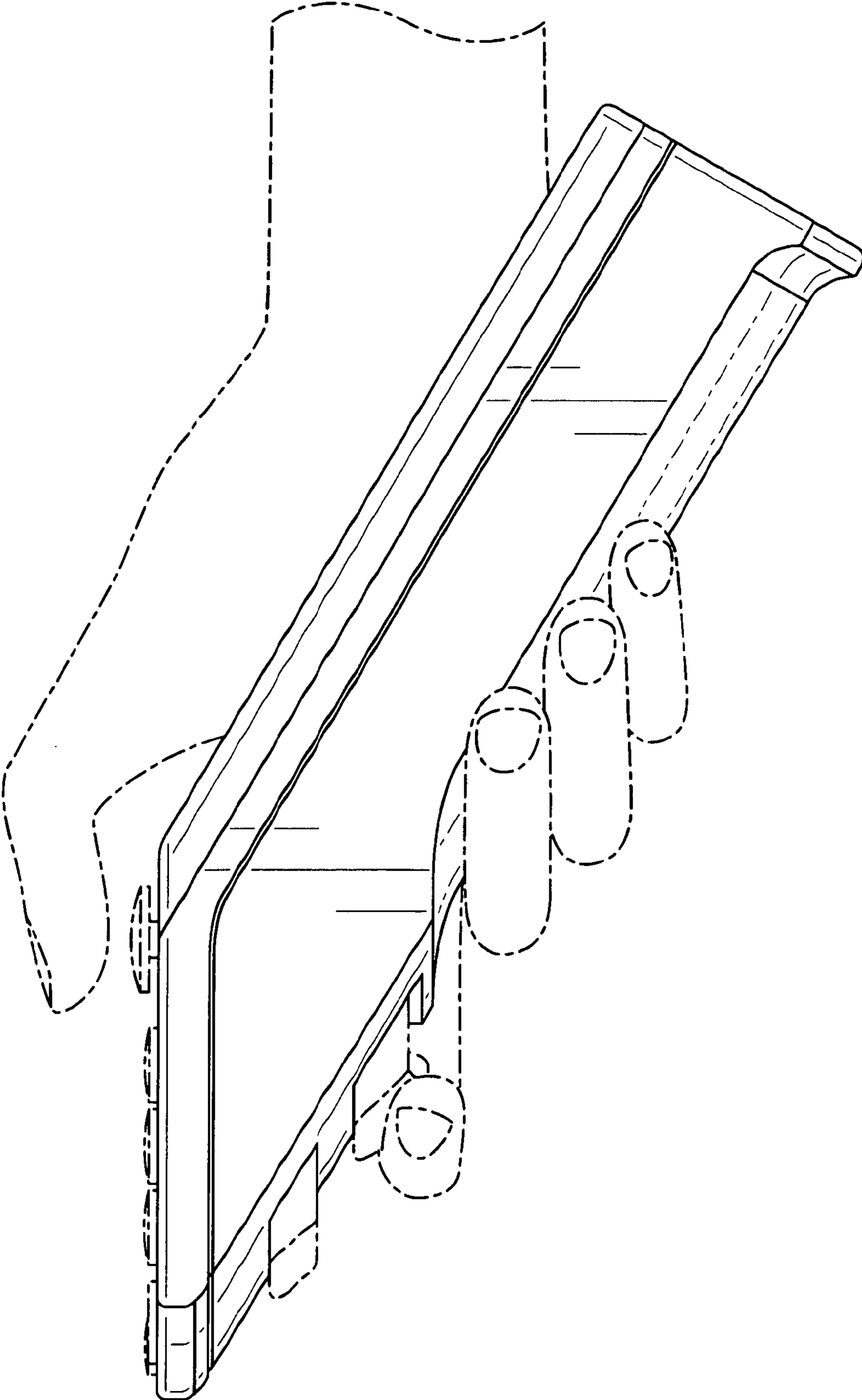


FIG. 8