



(12) **United States Design Patent**
Jun

(10) **Patent No.:** **US D607,510 S**
(45) **Date of Patent:** **** Jan. 5, 2010**

(54) **MARKING PEN**

(75) Inventor: **Yang Sook Jun**, Gyeonggi-do (KR)

(73) Assignee: **Alpha Art Materials Co., Ltd**, Seoul (KR)

(**) Term: **14 Years**

(21) Appl. No.: **29/311,312**

(22) Filed: **Feb. 17, 2009**

(30) **Foreign Application Priority Data**

Aug. 19, 2008 (KR) 30-2008-0035832

(51) **LOC (9) Cl.** **19-06**

(52) **U.S. Cl.** **D19/47**

(58) **Field of Classification Search** D19/35,
D19/36, 41-51, 53-57; 24/11 F, 11 P, 11 R;
401/52, 99, 100, 104-109, 192, 195, 196
See application file for complete search history.

(56) **References Cited**

U.S. PATENT DOCUMENTS

3,683,484 A * 8/1972 Kolster et al. 29/416
D397,148 S * 8/1998 Luntz D19/36
D425,559 S * 5/2000 Beneyto D19/51
D474,241 S * 5/2003 Hasegawa D19/51

6,572,299 B1 * 6/2003 Brennan 401/195
D497,643 S * 10/2004 Nishida D19/51
D548,786 S * 8/2007 O'Hern et al. D19/47
D576,677 S * 9/2008 Jeon D19/50

FOREIGN PATENT DOCUMENTS

EM 001088702-0001 * 2/2009

* cited by examiner

Primary Examiner—Elizabeth A Albert

(74) *Attorney, Agent, or Firm*—Jacobson Holman PLLC

(57) **CLAIM**

The ornamental design for a marking pen, as shown and described.

DESCRIPTION

FIG. 1 is a perspective view showing my new design for a marking pen,

FIG. 2 is a front view thereof,

FIG. 3 is a rear view thereof,

FIG. 4 is a left side thereof,

FIG. 5 is a right side thereof,

FIG. 6 is a top plan view thereof; and,

FIG. 7 is a bottom view thereof.

1 Claim, 2 Drawing Sheets

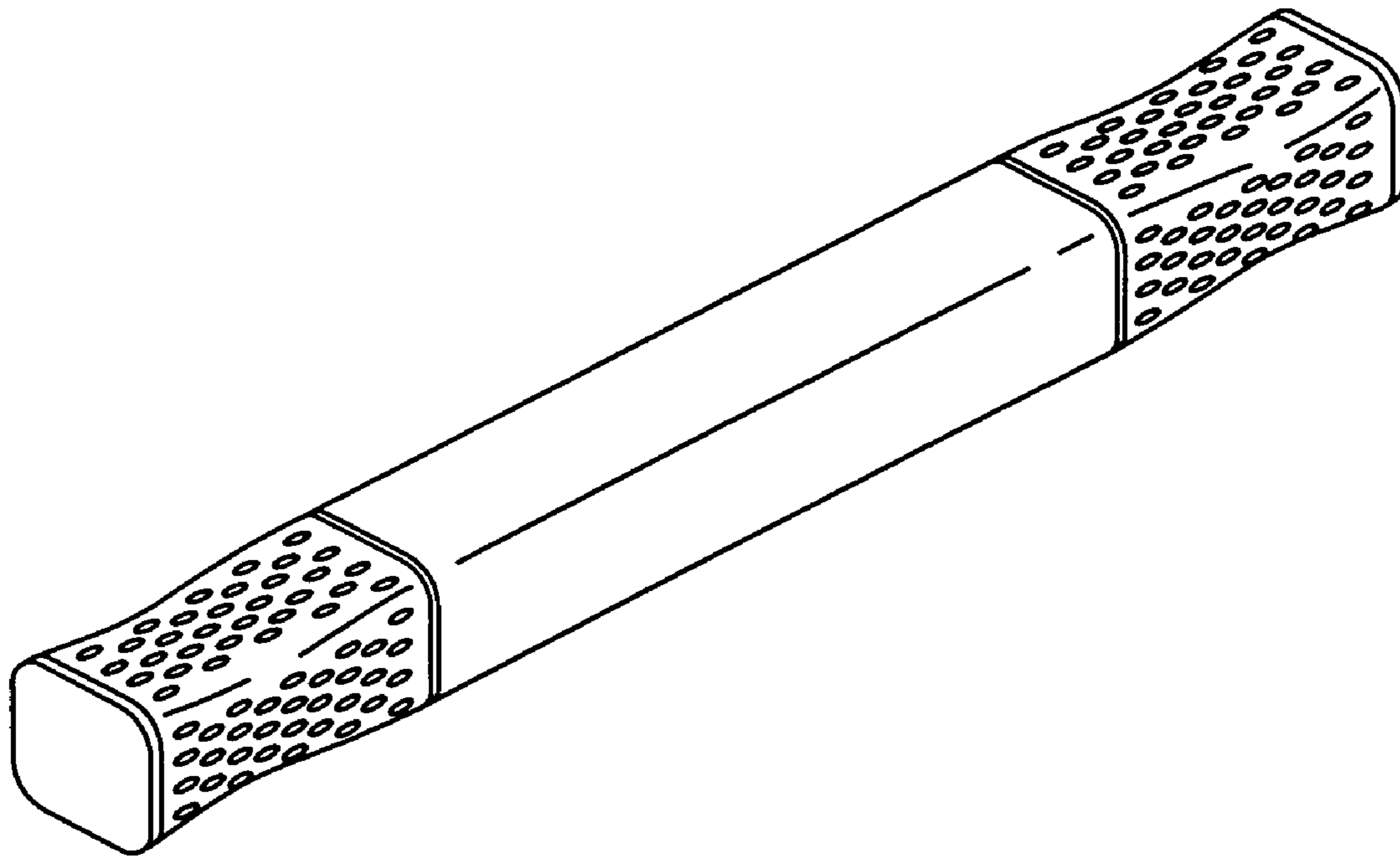


FIG. 1

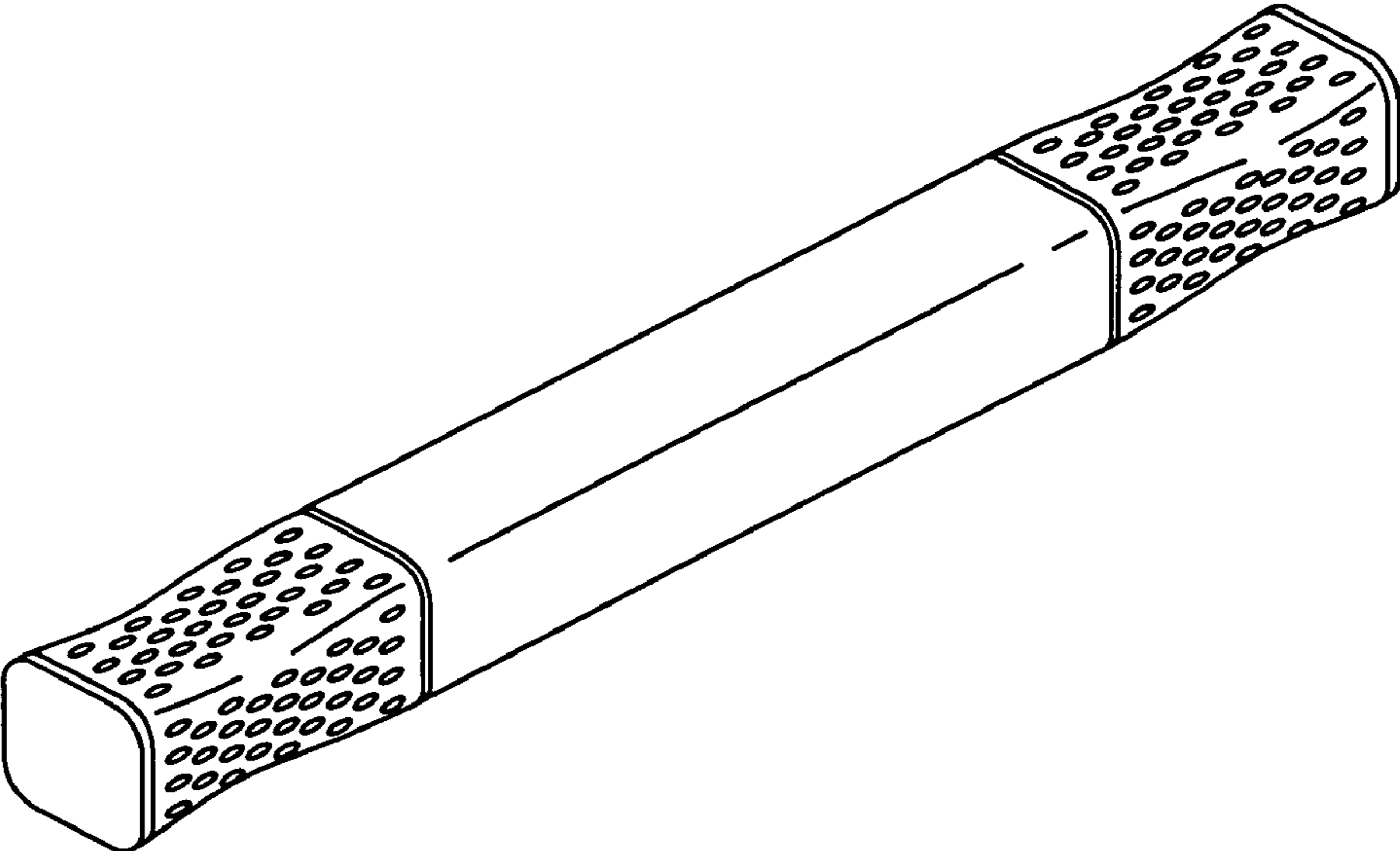


FIG. 2



FIG. 3



FIG. 4

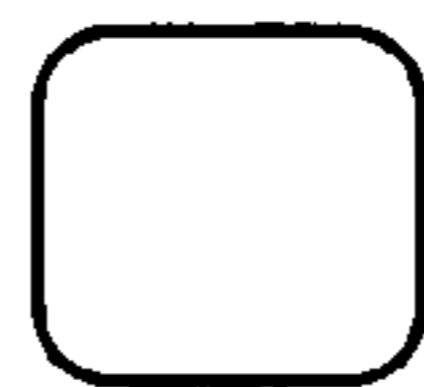


FIG. 5

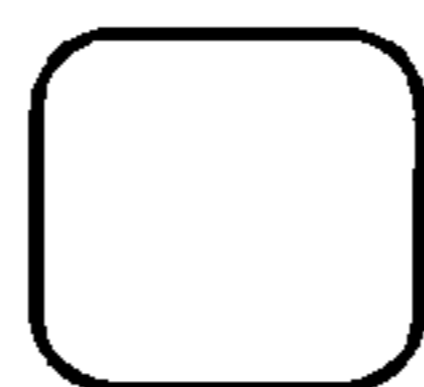


FIG. 6

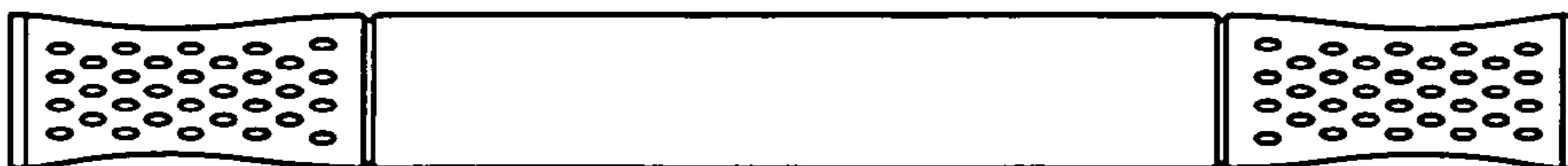


FIG. 7

