



US00D607507S

(12) **United States Design Patent**
Kimura et al.

(10) **Patent No.:** **US D607,507 S**
(45) **Date of Patent:** **** Jan. 5, 2010**

(54) **PRINTER**

(75) Inventors: **Seiji Kimura**, Shiojiri (JP); **Kanako Nakatani**, Matsumoto (JP); **Kenichi Hirabayashi**, Shiojiri (JP); **Tsukasa Abe**, Asahi-mura (JP); **Shinsuke Tomomatsu**, Matsumoto (JP)

(73) Assignee: **Seiko Epson Corporation** (JP)

(**) Term: **14 Years**

(21) Appl. No.: **29/312,220**

(22) Filed: **Oct. 6, 2008**

(30) **Foreign Application Priority Data**

Jun. 12, 2008 (JP) 2008-014949

(51) **LOC (9) Cl.** **14-02**

(52) **U.S. Cl.** **D18/55**

(58) **Field of Classification Search** D18/36-37,
D18/50, 54, 54.1, 55, 19; D14/420-425,
D14/463-470; 400/613, 613.1-613.4, 690.1-690.4,
400/691-694

See application file for complete search history.

(56) **References Cited**

U.S. PATENT DOCUMENTS

D470,884 S * 2/2003 Gotham et al. D18/55
D474,805 S * 5/2003 Gotham et al. D18/50

D544,530 S * 6/2007 Omuro et al. D18/50
D558,819 S * 1/2008 Kimura et al. D18/50
D559,900 S * 1/2008 Kimura et al. D18/50
D574,883 S * 8/2008 Seino D18/50
D579,487 S * 10/2008 Yamada D18/50
7,563,045 B2 * 7/2009 Nagata 400/693

* cited by examiner

Primary Examiner—Cathy Anne MacCormac

(74) *Attorney, Agent, or Firm*—Harness, Dickey & Pierce, P.L.C.

(57) **CLAIM**

The ornamental design for a printer, as shown and described.

DESCRIPTION

FIG. 1 is a top, front and right side perspective view of a printer embodying our new design;

FIG. 2 is a top, front and left side view thereof;

FIG. 3 is a front view thereof;

FIG. 4 is a rear view thereof;

FIG. 5 is a left side view thereof;

FIG. 6 is a right side view thereof;

FIG. 7 is a top view thereof;

FIG. 8 is a bottom view thereof; and,

FIG. 9 is a top, front and right side perspective view thereof, showing the paper tray in a retracted position.

1 Claim, 5 Drawing Sheets

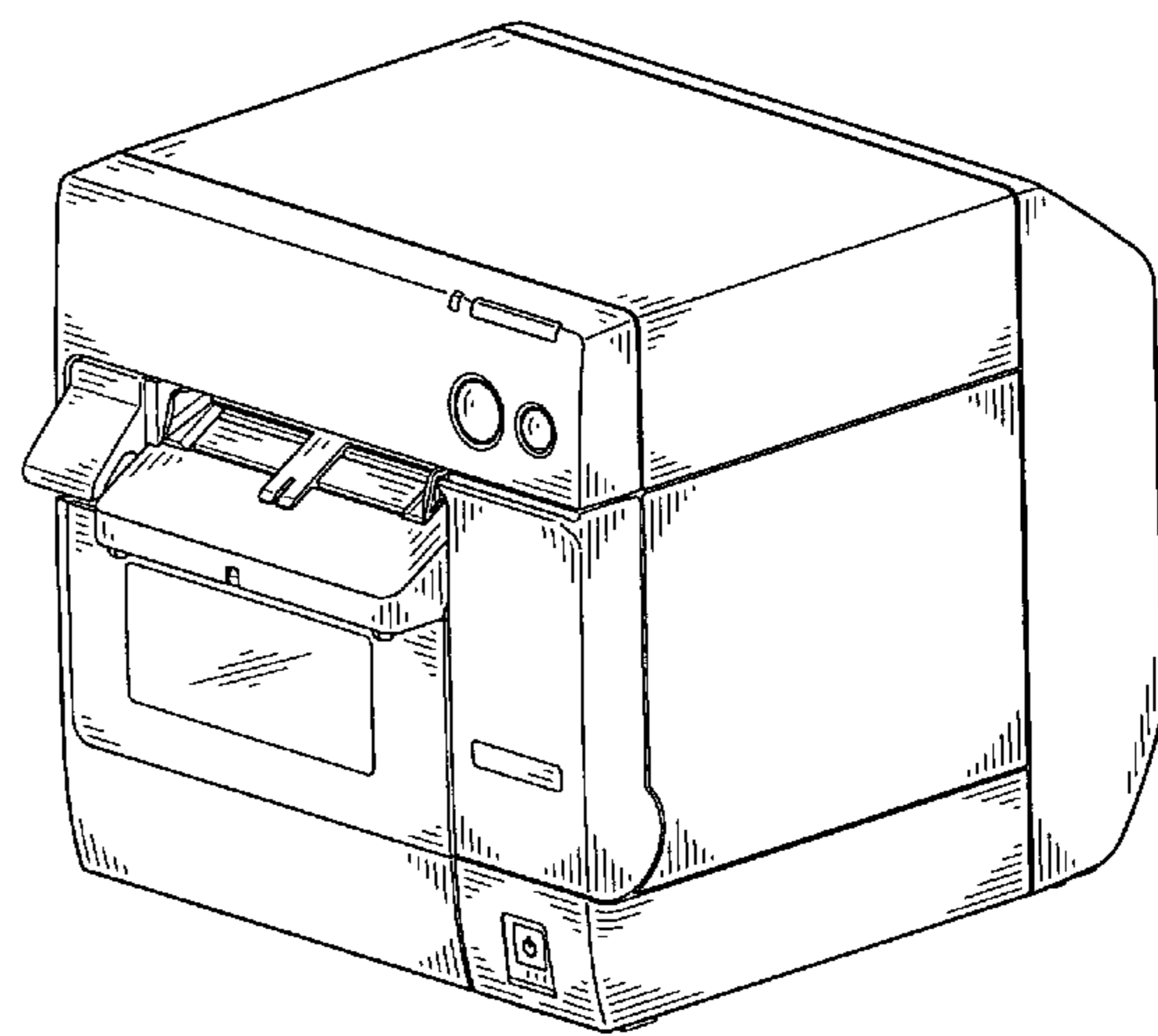
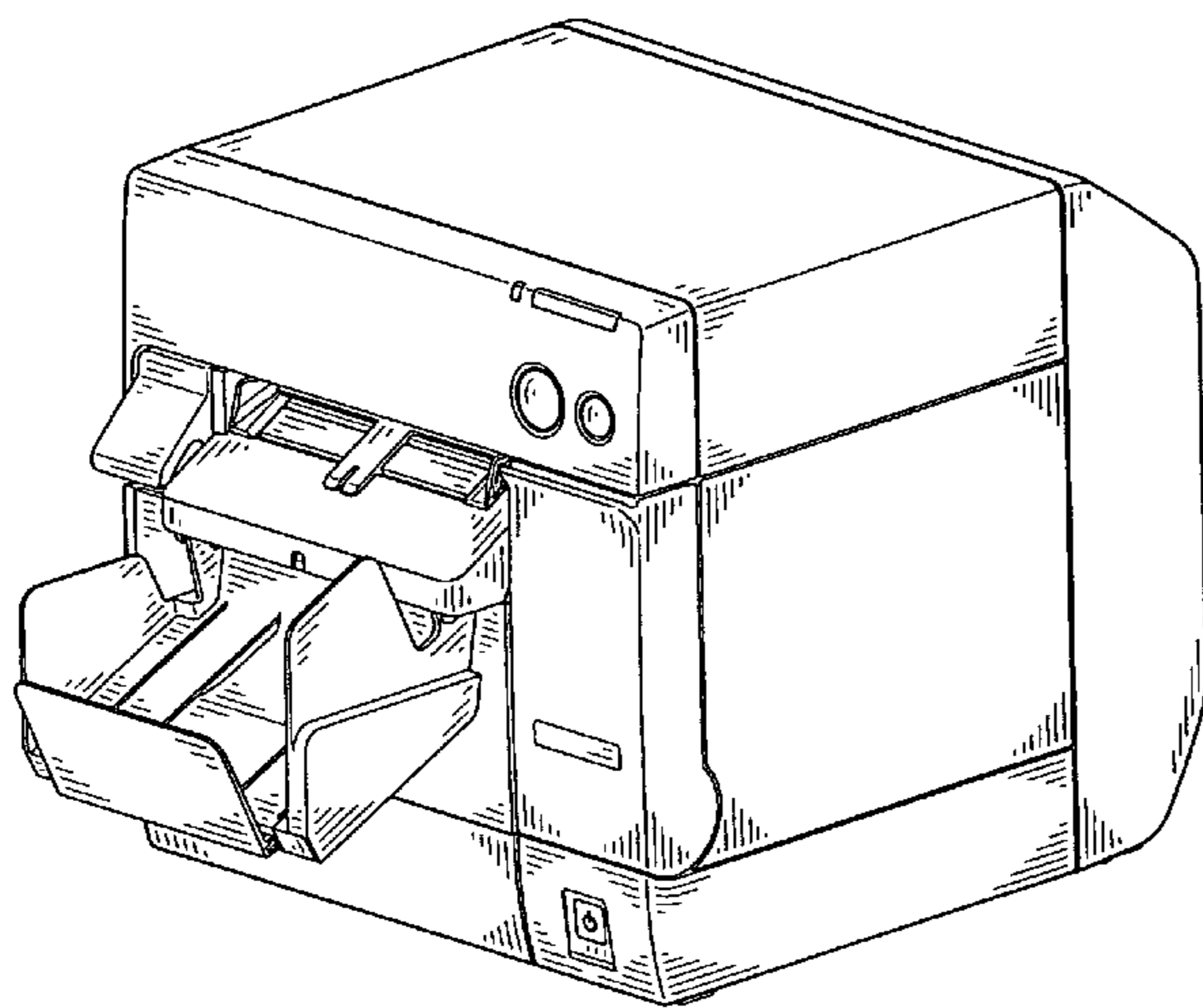


FIG. 1

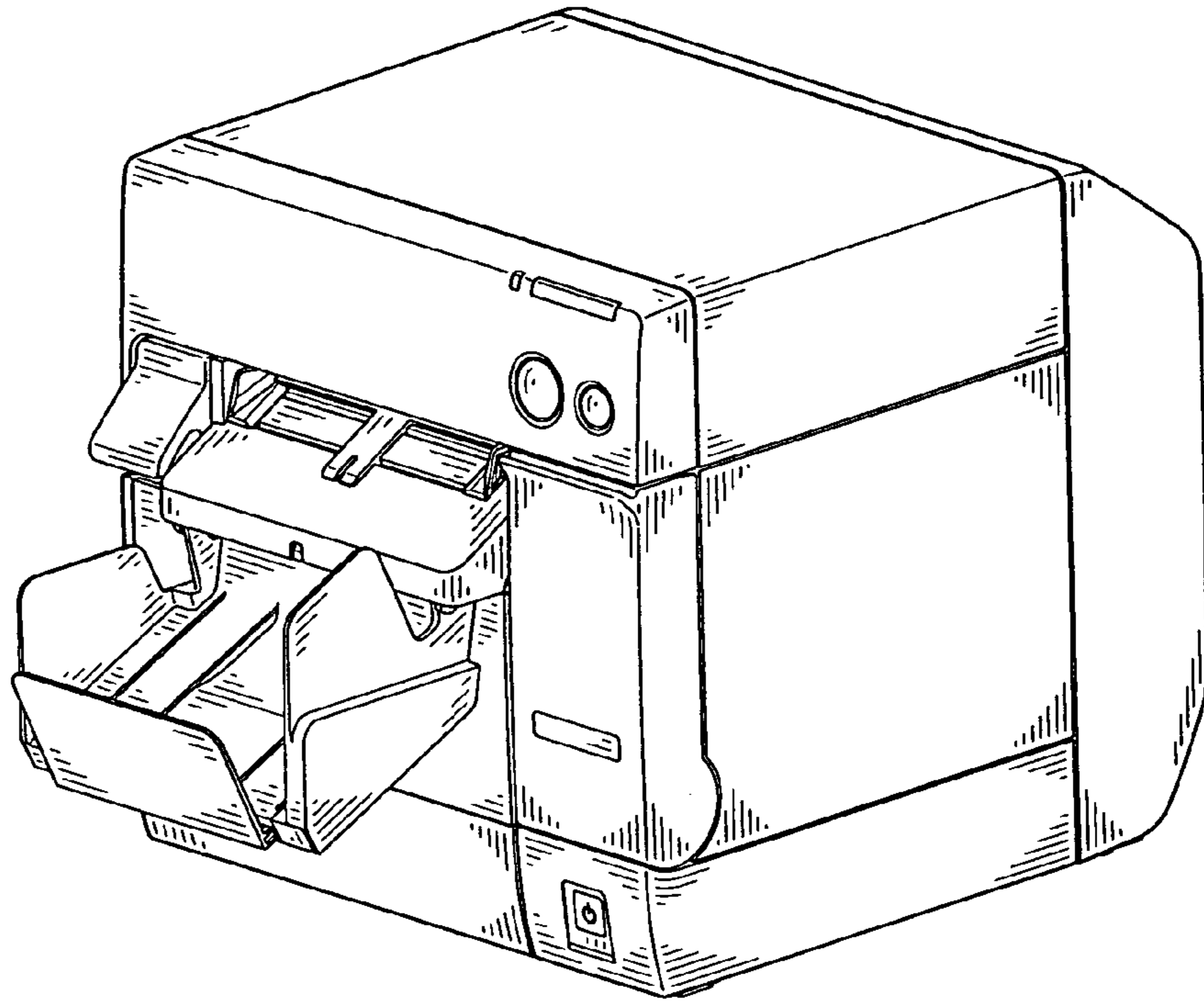


FIG. 2

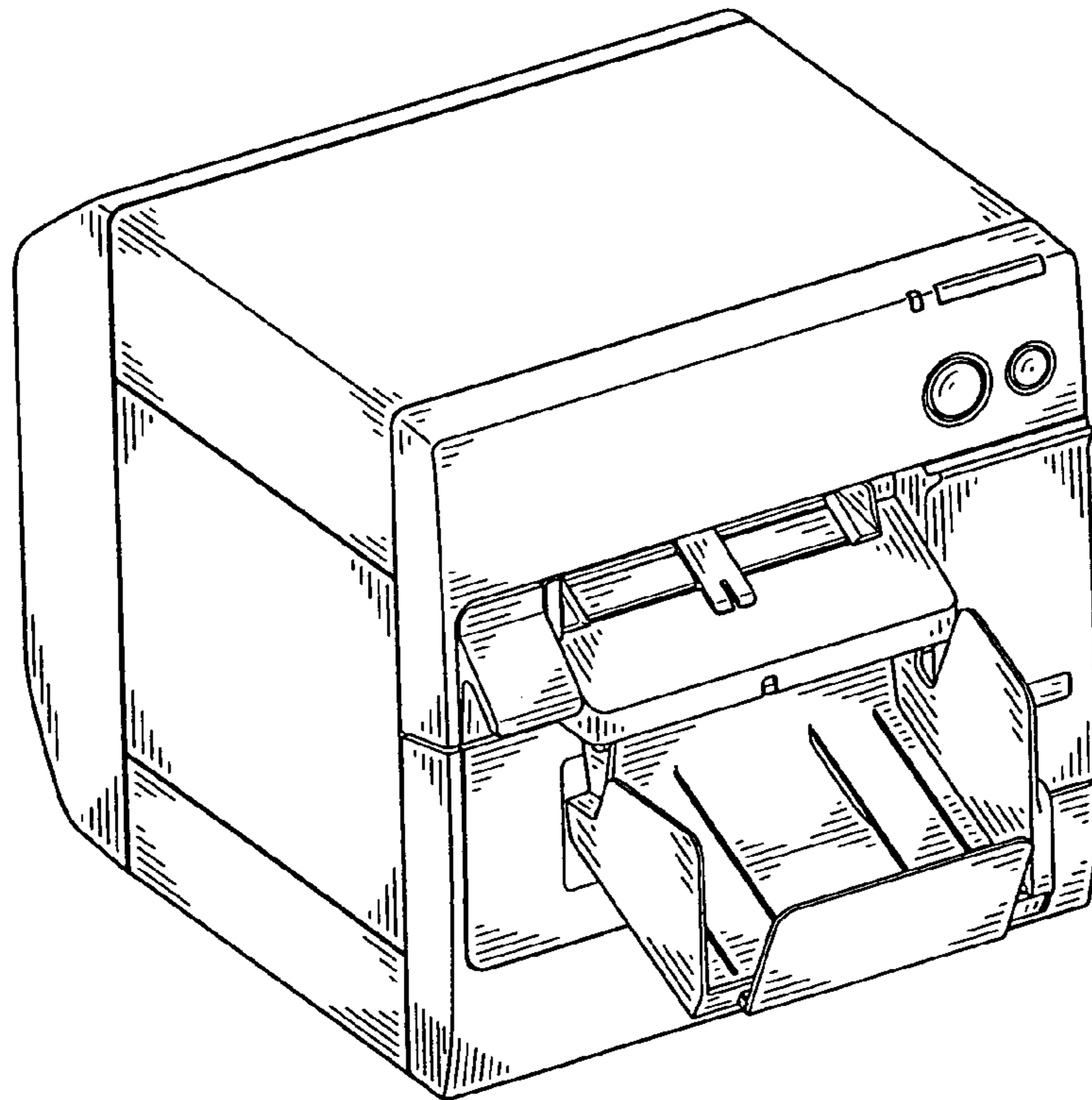


FIG. 3

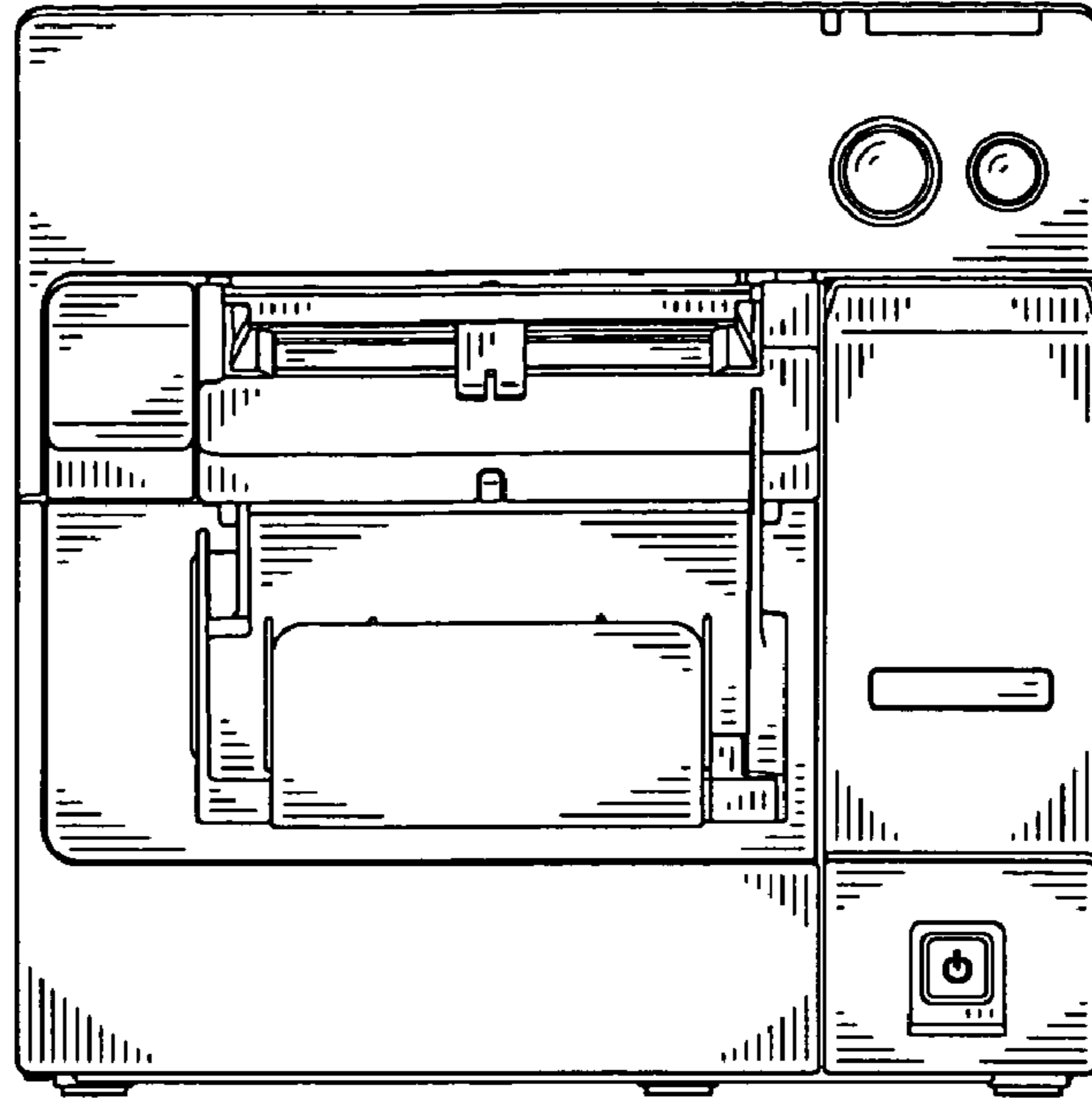


FIG. 4

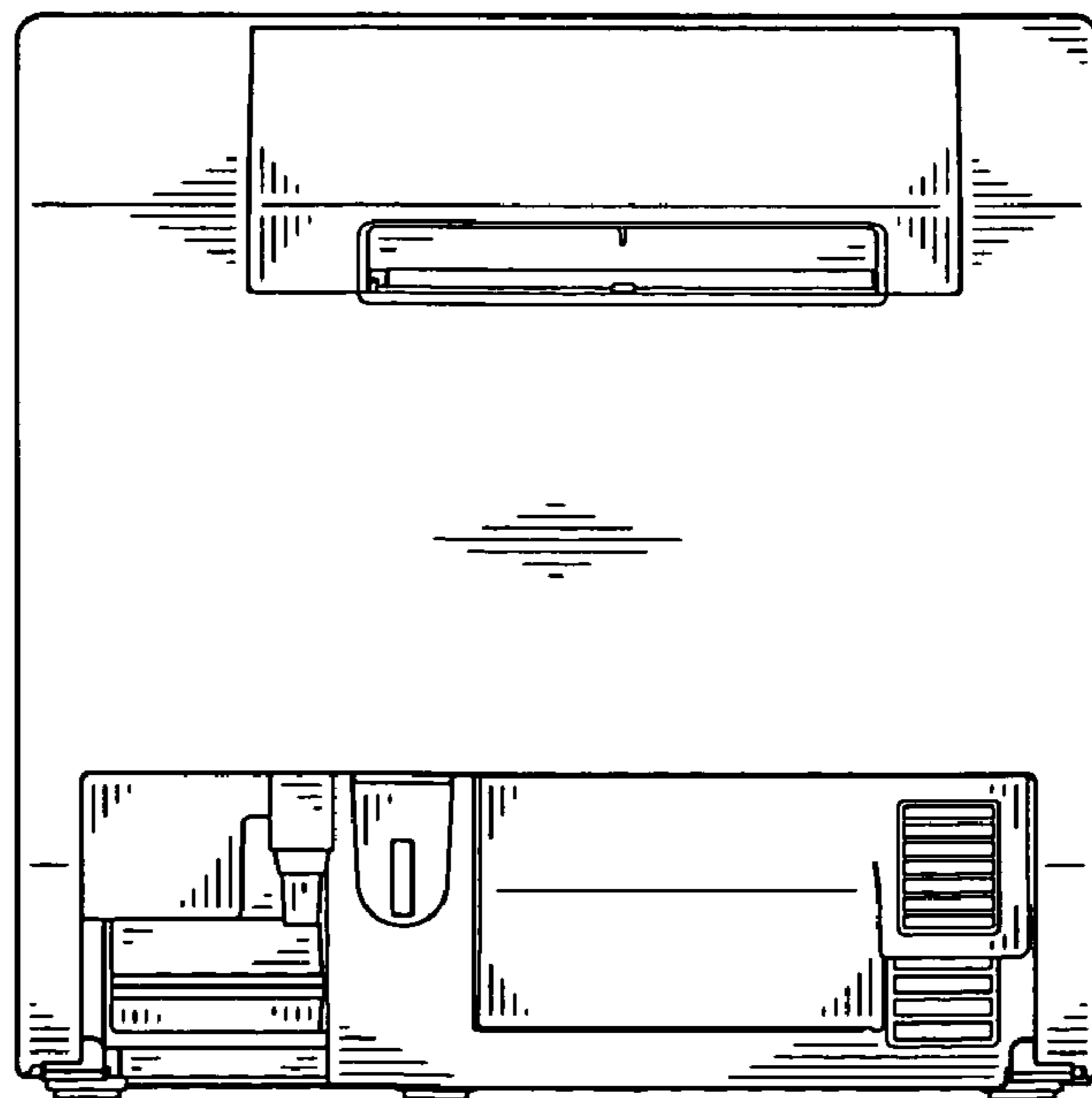


FIG. 5

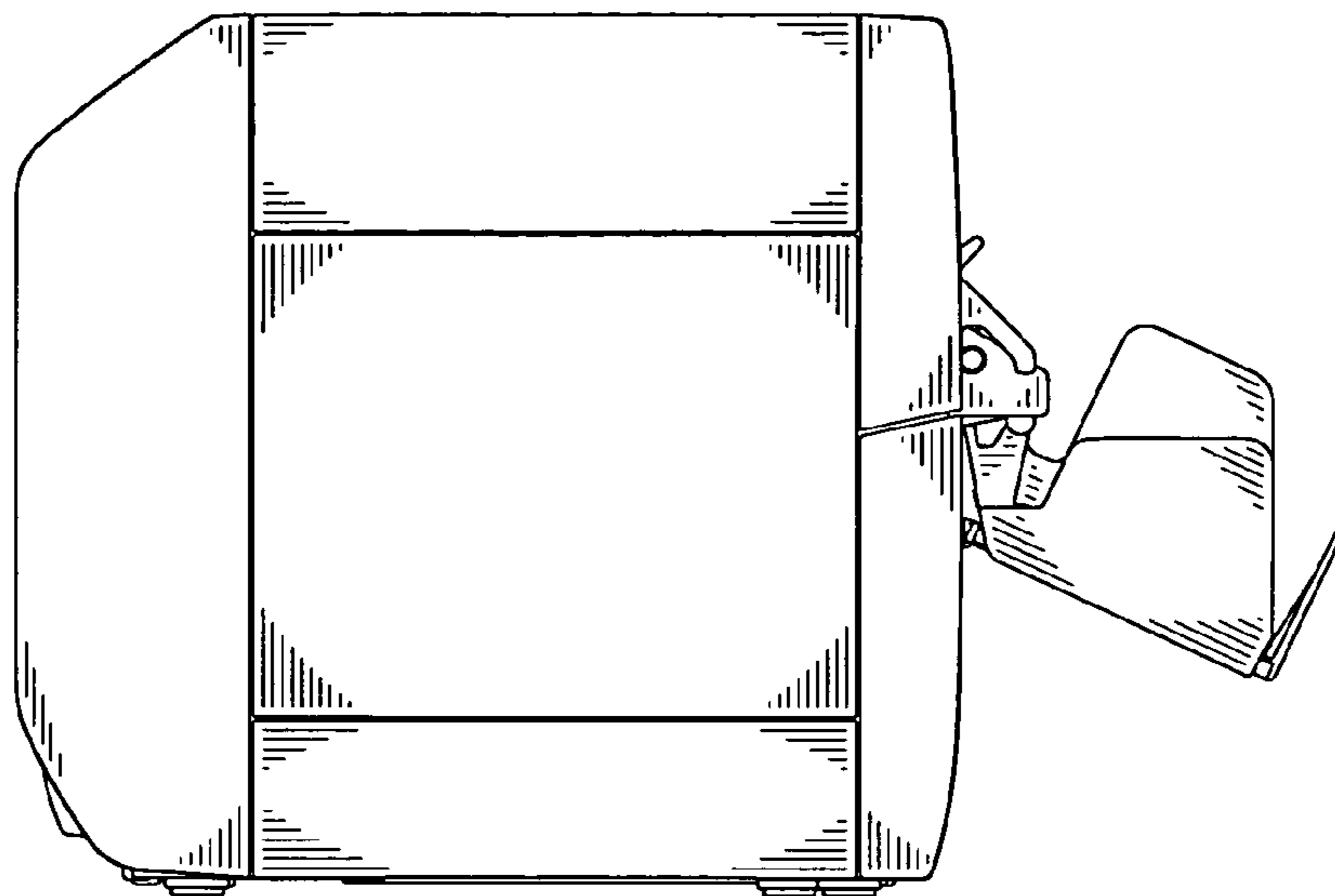


FIG. 6

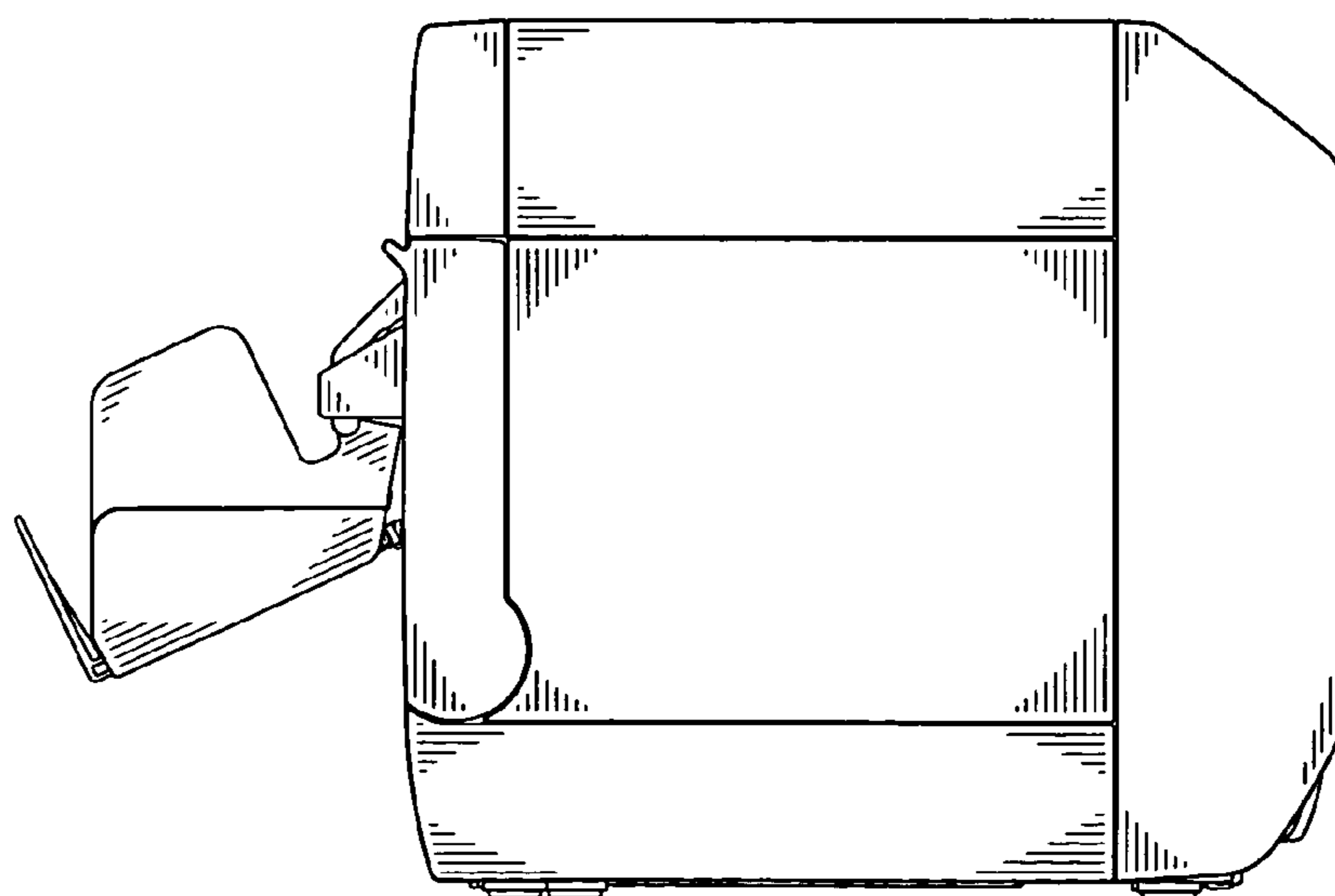


FIG. 7

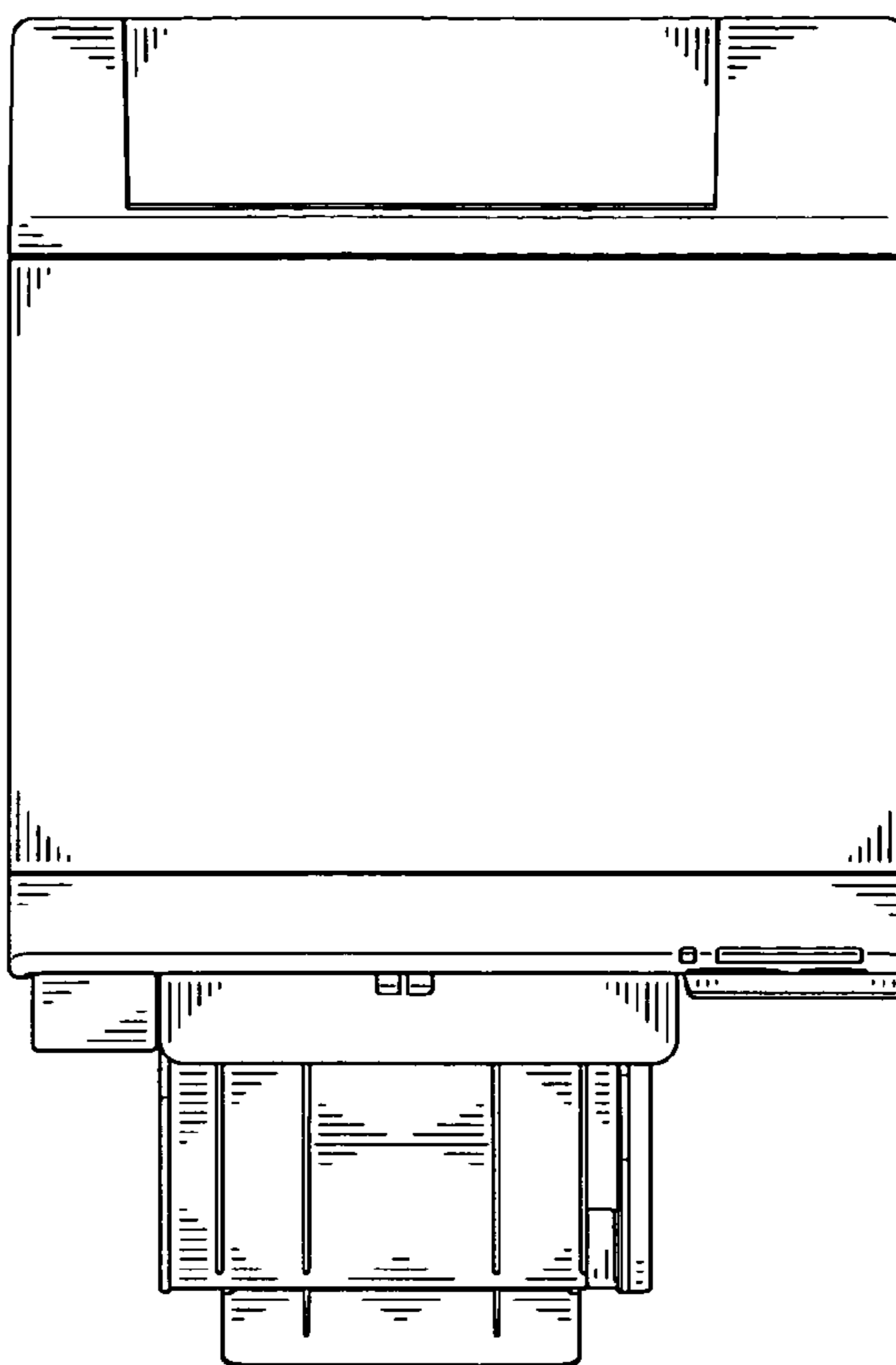


FIG. 8

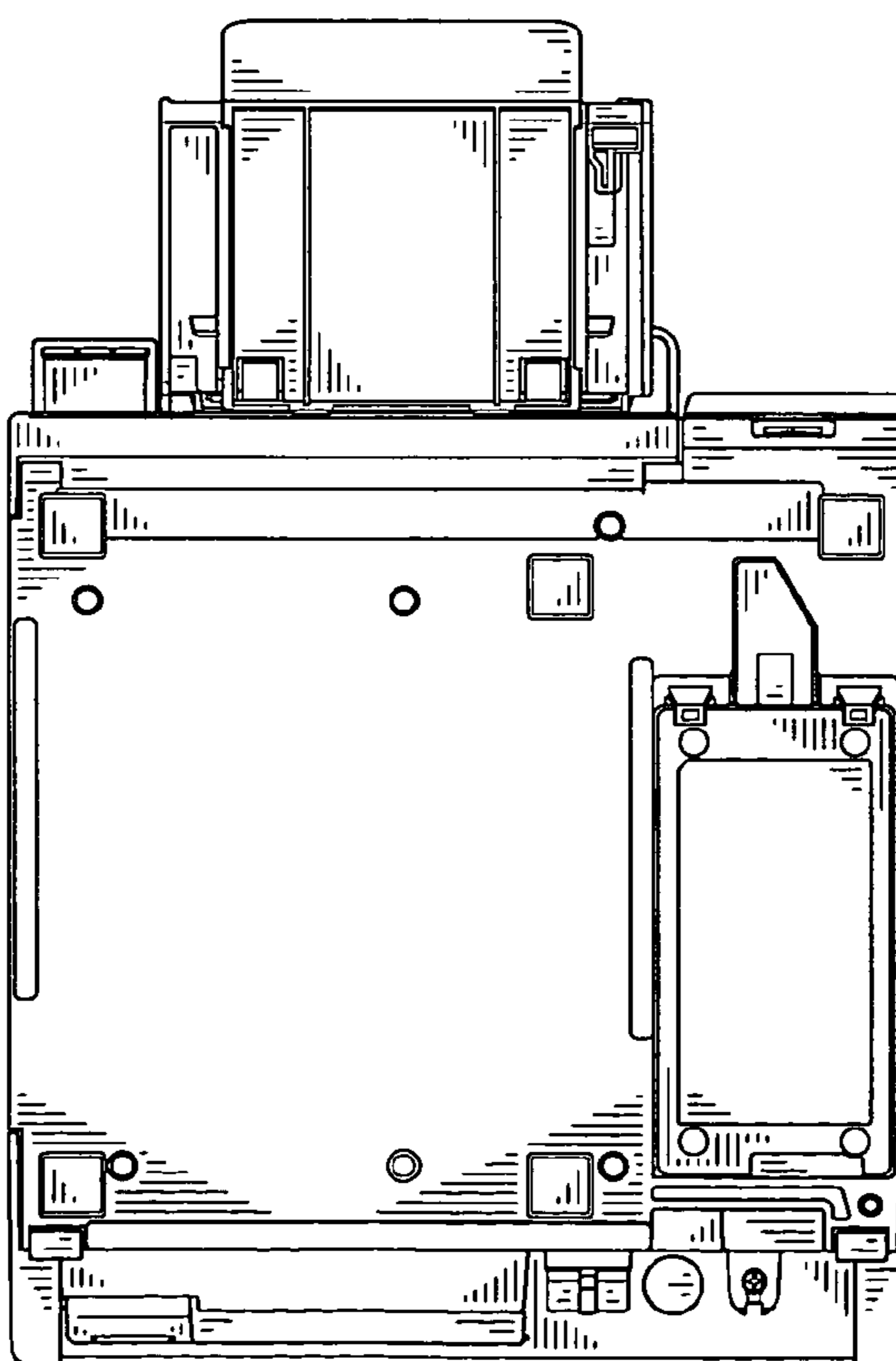


FIG. 9

