



US00D607505S

(12) **United States Design Patent**
Sasaki et al.

(10) **Patent No.:** **US D607,505 S**
(45) **Date of Patent:** **** Jan. 5, 2010**

(54) **LASER PRINTER WITH SCANNER**

(75) Inventors: **Tomohiko Sasaki**, Tokyo (JP);
Kazuyoshi Yamada, Kanagawa (JP);
Masato Suzuki, Saitama (JP)

(73) Assignee: **Ricoh Company, Ltd.**, Tokyo (JP)

(**) Term: **14 Years**

(21) Appl. No.: **29/305,555**

(22) Filed: **Mar. 24, 2008**

(30) **Foreign Application Priority Data**

Sep. 28, 2007 (JP) 2007-026523

(51) **LOC (9) Cl.** **14-02**

(52) **U.S. Cl.** **D18/55; D14/421**

(58) **Field of Classification Search** D18/36-39,
D18/19, 50, 54, 54.1, 55; D14/420-425,
D14/463-470; 400/613, 613.1-613.4, 690.1-690.4,
400/691-694

See application file for complete search history.

(56) **References Cited**

U.S. PATENT DOCUMENTS

D443,635 S * 6/2001 Ogawa et al. D18/39
D458,297 S * 6/2002 Laidlaw et al. D18/36
D502,500 S * 3/2005 Hoshiya et al. D18/50

D529,951 S * 10/2006 Katayama et al. D18/53
D532,450 S * 11/2006 Smith et al. D18/55
D534,578 S * 1/2007 Katayama et al. D18/55
D567,848 S * 4/2008 Kawamura et al. D18/39
D575,330 S * 8/2008 Egami et al. D18/55
D579,973 S * 11/2008 Park et al. D18/55
D581,976 S * 12/2008 Park et al. D18/55
D586,385 S * 2/2009 Kim et al. D18/55
D589,550 S * 3/2009 Clark, III D18/39

* cited by examiner

Primary Examiner—Cathy Anne MacCormac

(74) *Attorney, Agent, or Firm*—Dickstein Shapiro LLP

(57) **CLAIM**

The ornamental design for a laser printer with scanner, as shown and described.

DESCRIPTION

FIG. 1 is a front elevation of a laser printer with scanner according to the present invention;

FIG. 2 is a rear elevation thereof;

FIG. 3 is a top plan view thereof;

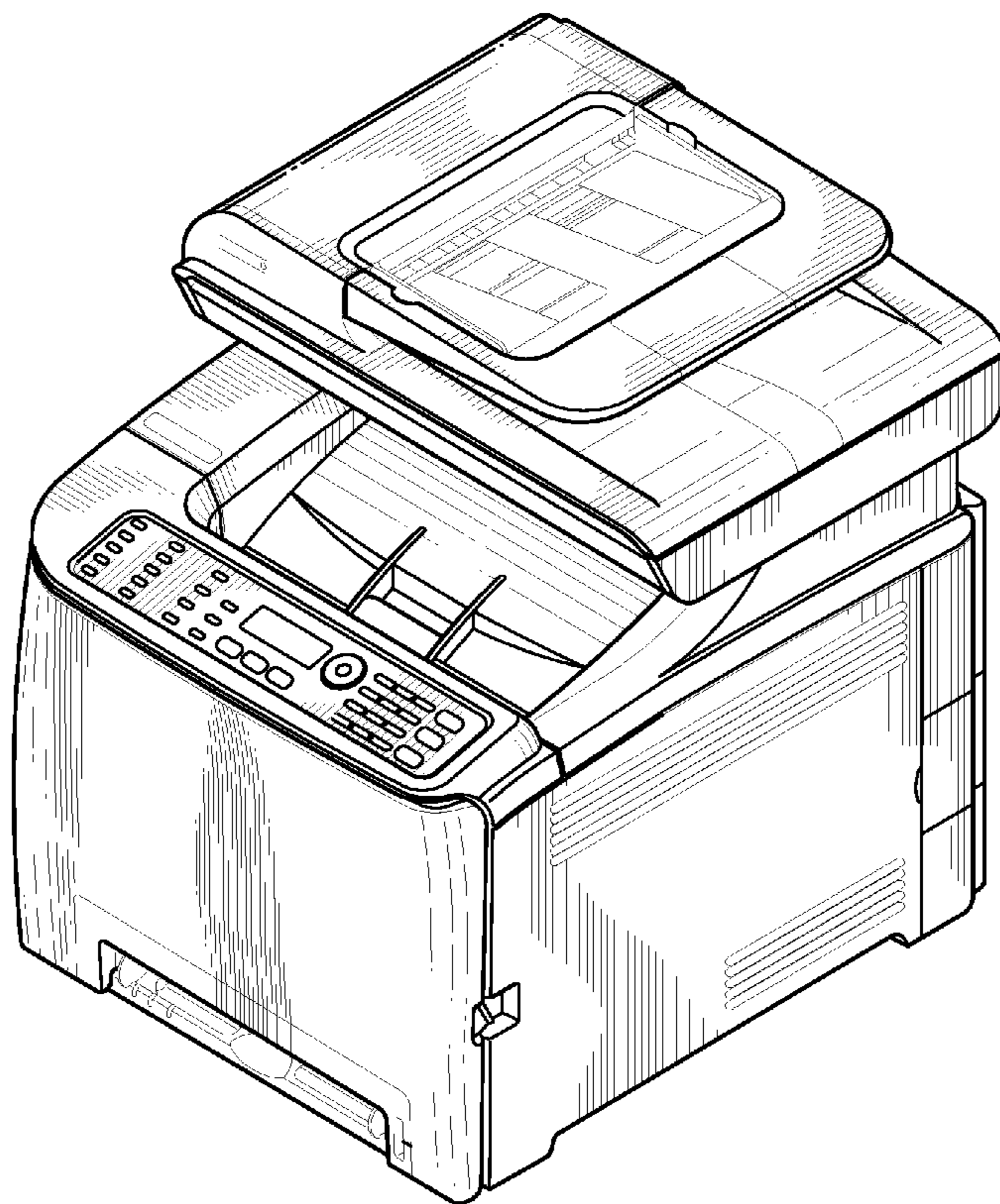
FIG. 4 is a bottom plan view thereof;

FIG. 5 is a right side elevation thereof;

FIG. 6 is a left side elevation thereof; and,

FIG. 7 is a top, front and right side perspective view thereof.

1 Claim, 4 Drawing Sheets



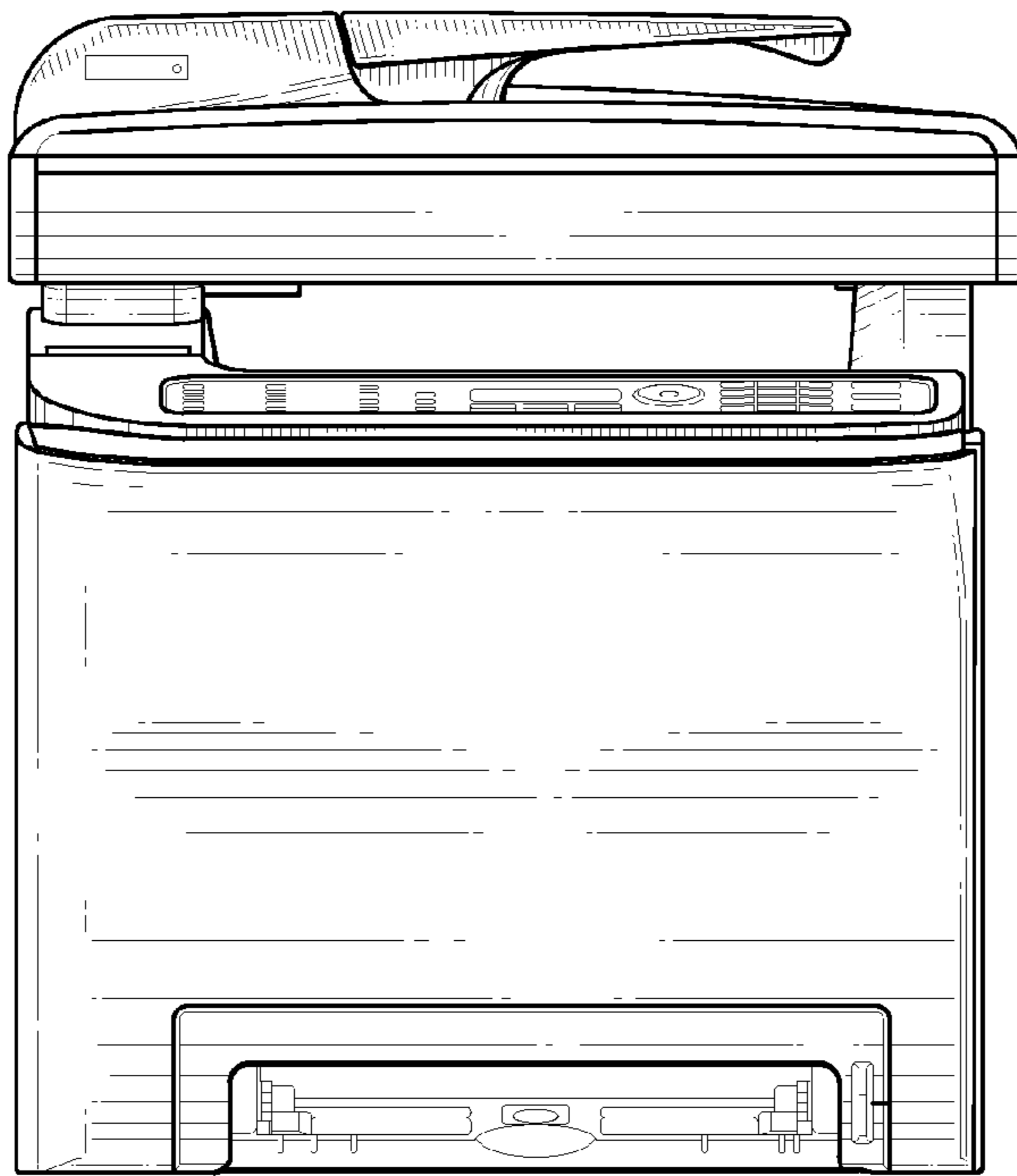


FIG. 1

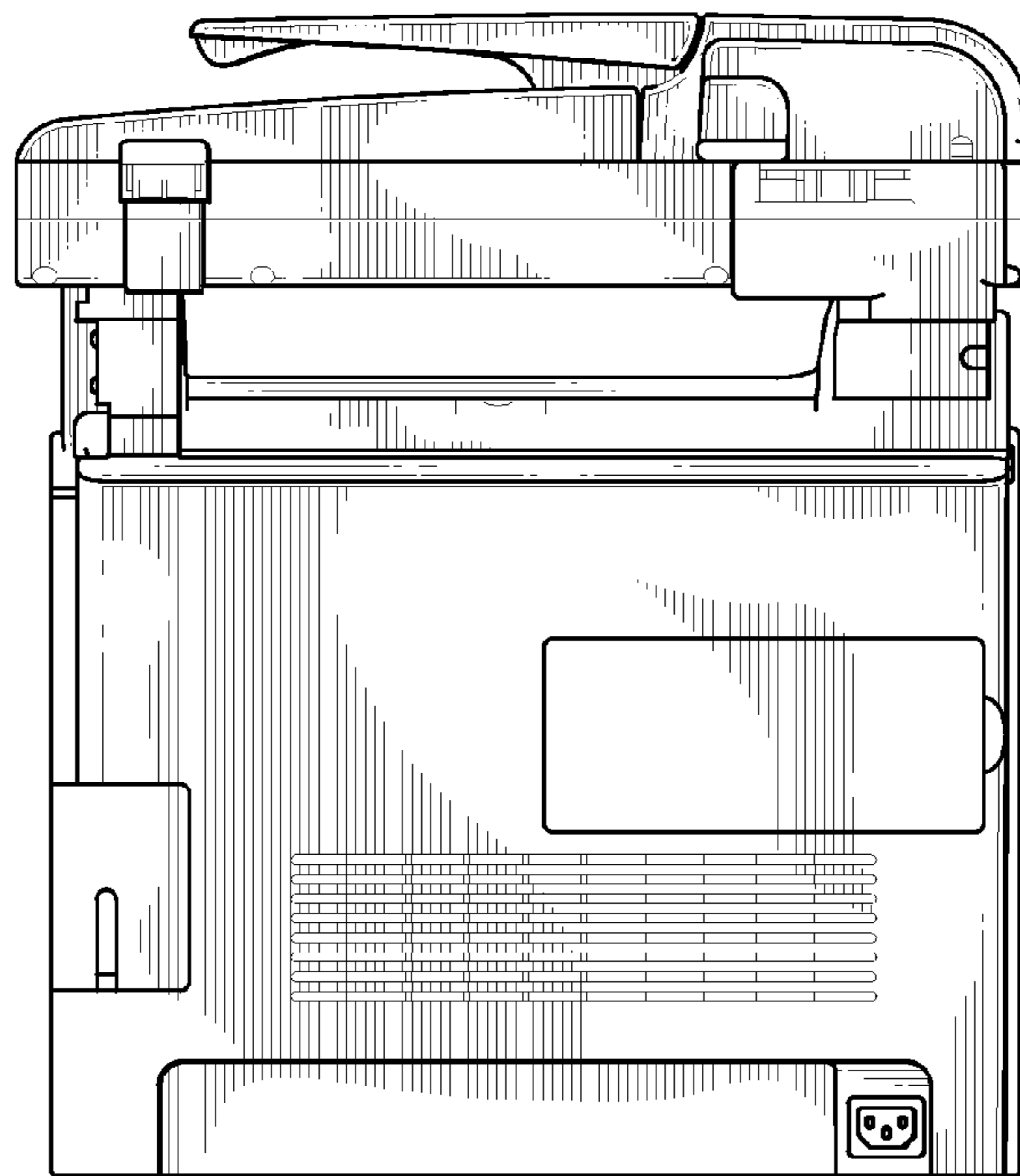


FIG. 2

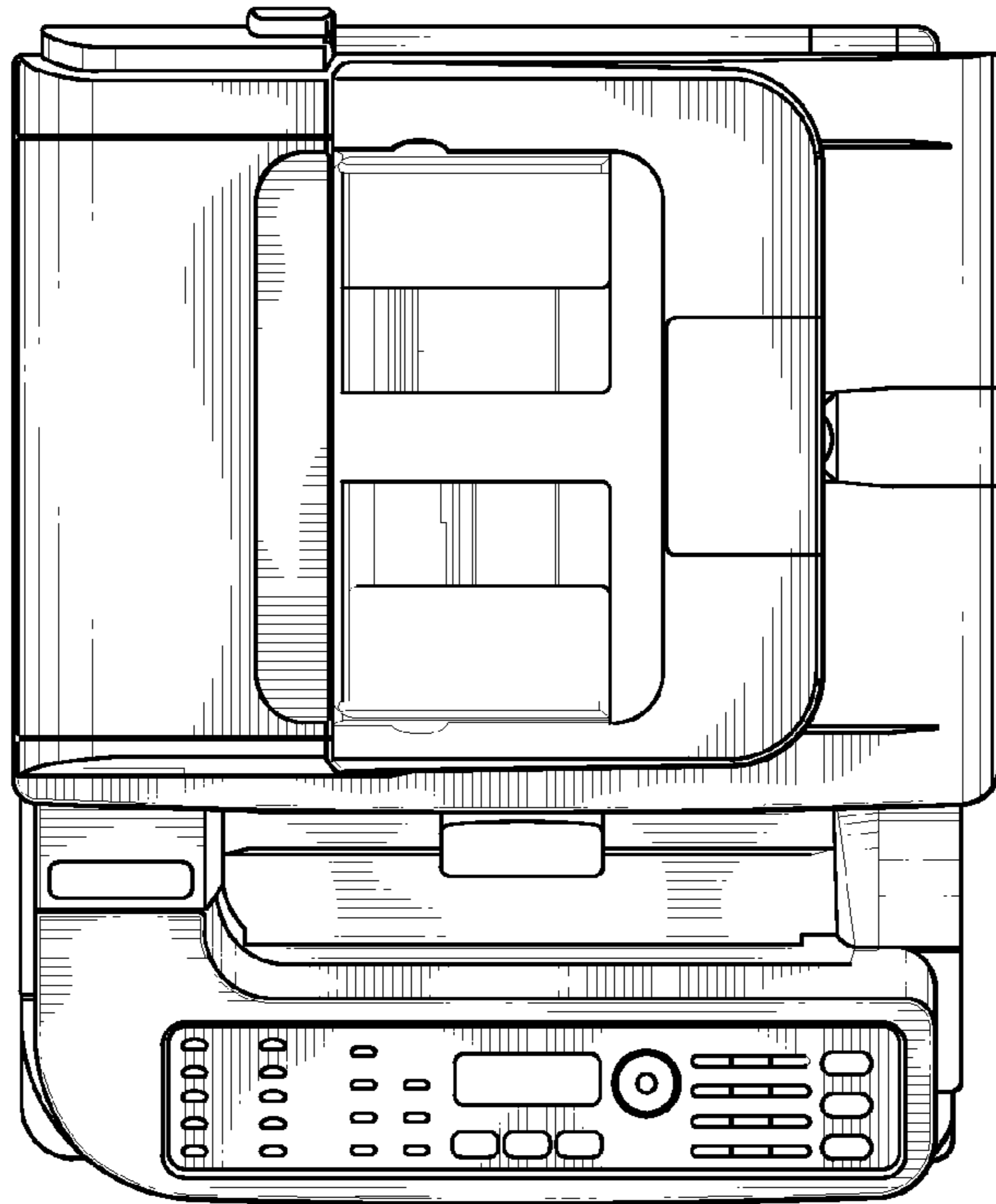


FIG. 3

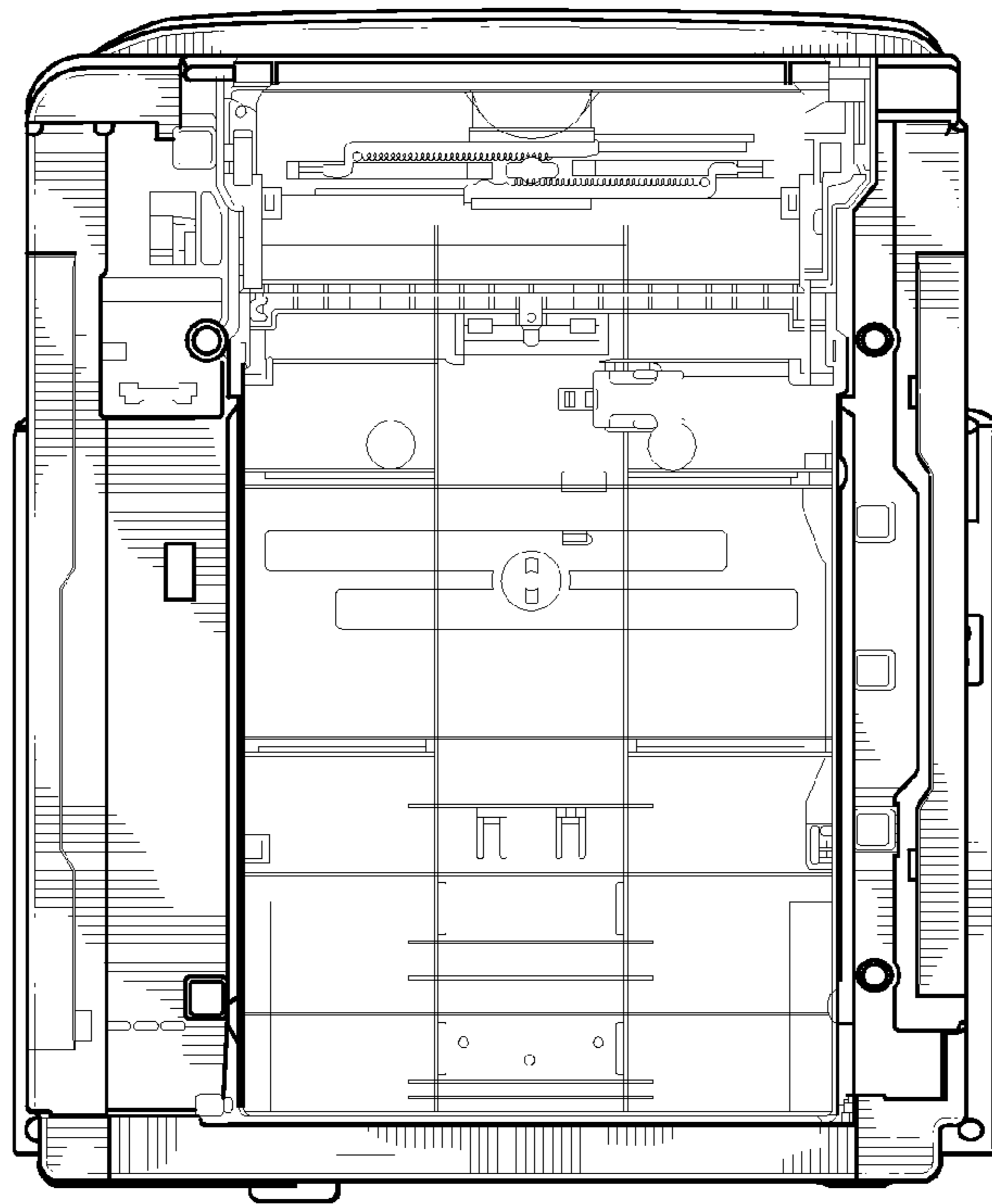


FIG. 4

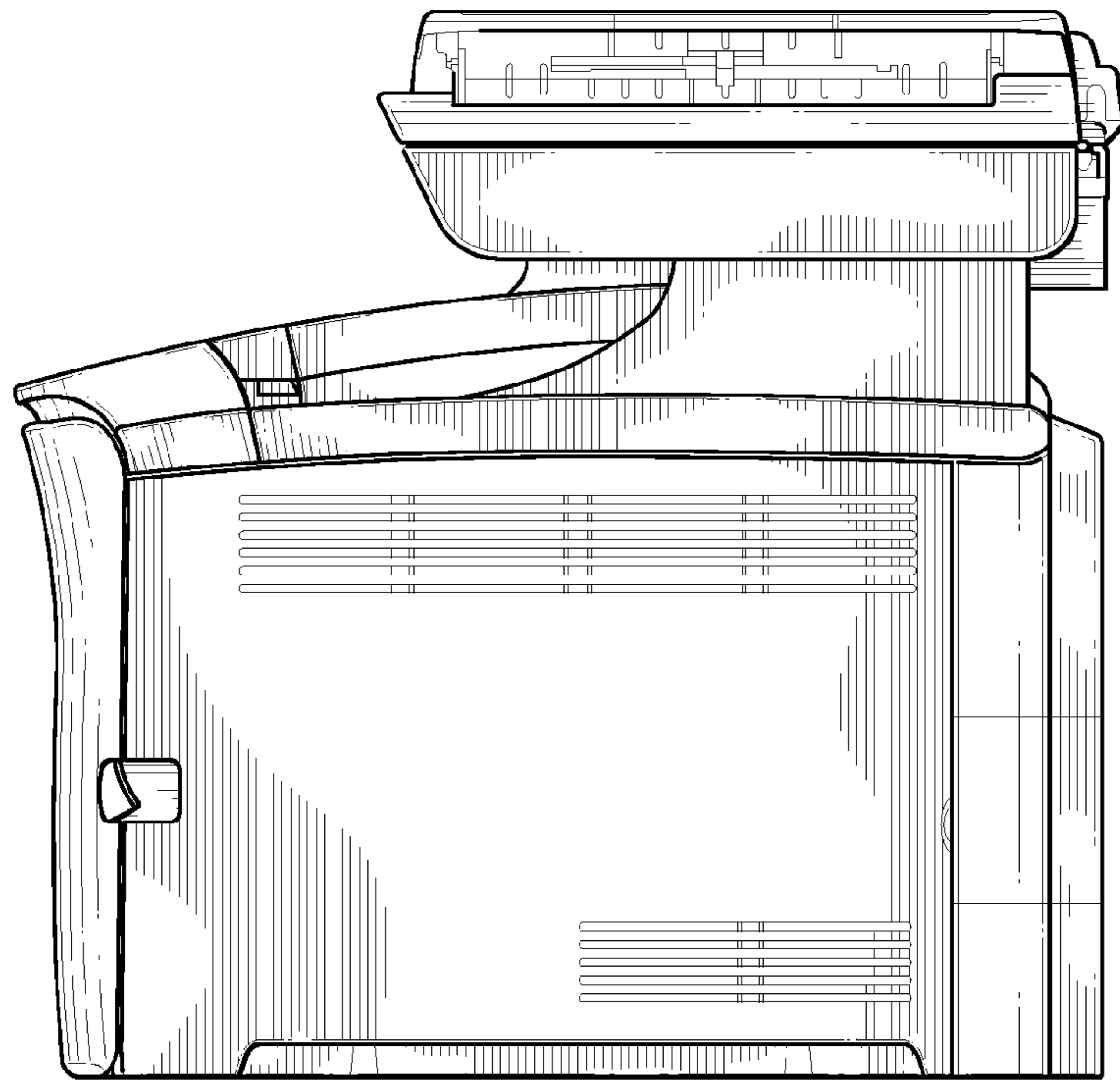


FIG. 5

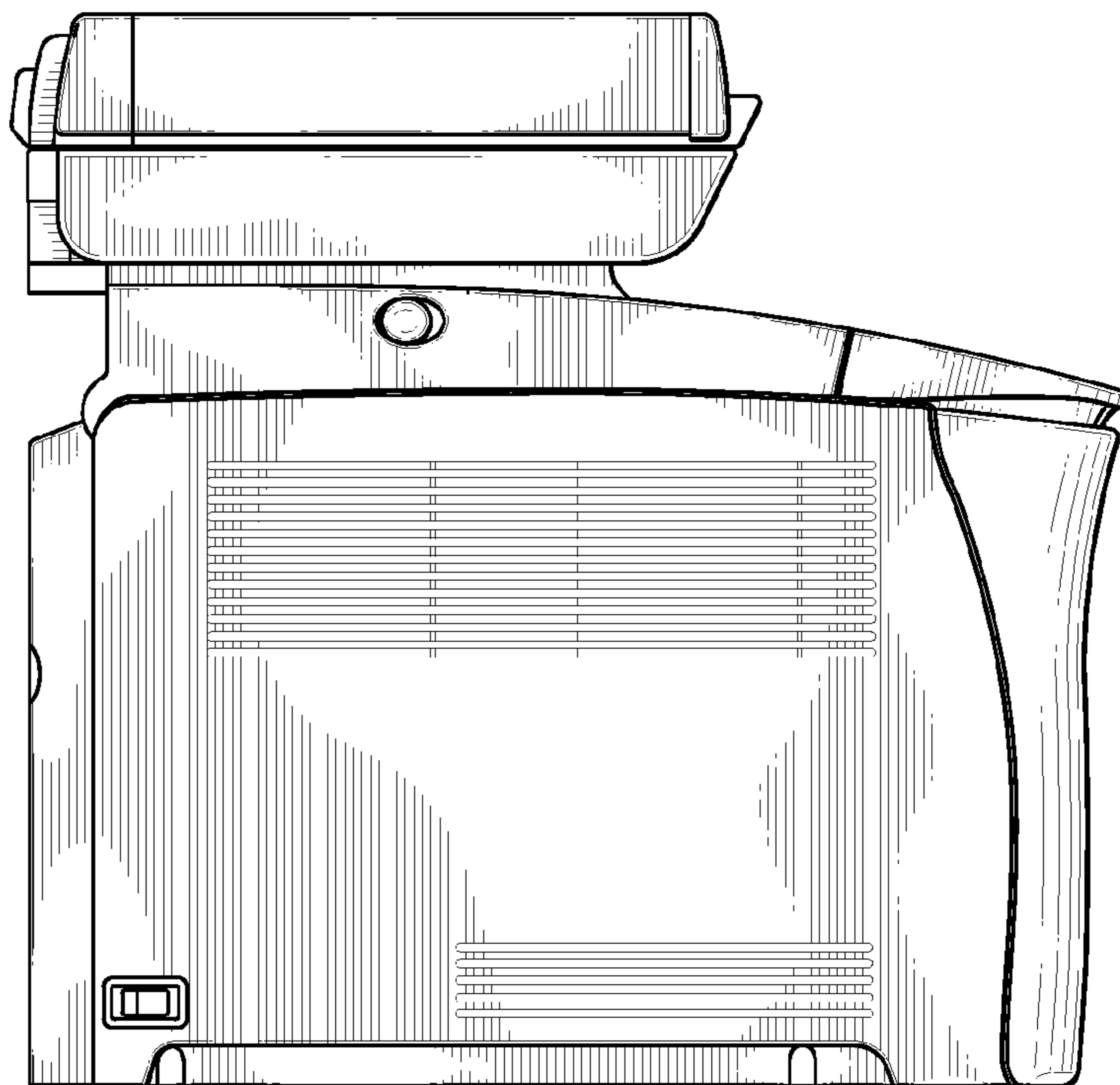


FIG. 6

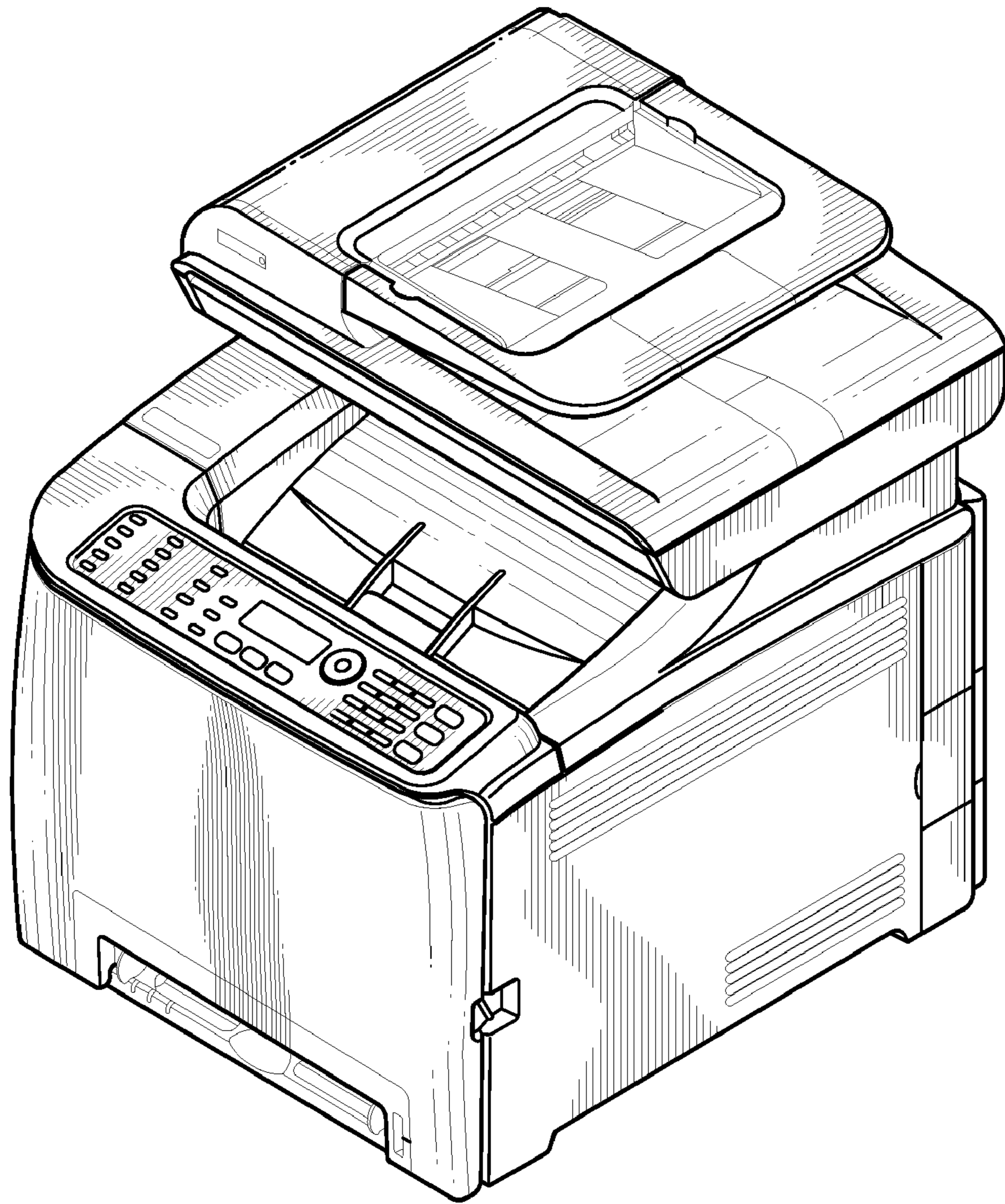


FIG. 7