



US00D607502S

(12) **United States Design Patent**  
**Lee et al.**

(10) **Patent No.:** **US D607,502 S**  
(45) **Date of Patent:** **\*\* Jan. 5, 2010**

(54) **LASER PRINTER**

(75) Inventors: **Son-Young Lee**, Seoul (KR); **Bong-Uk Lim**, Kyunggi-do (KR); **Jun-Won Bae**, Seoul (KR)

(73) Assignee: **Samsung Electronics Co., Ltd.**, Suwon, Kyunggi-do (KR)

(\*\*) Term: **14 Years**

(21) Appl. No.: **29/307,999**

(22) Filed: **May 22, 2008**

(51) **LOC (9) Cl.** ..... **14-02**

(52) **U.S. Cl.** ..... **D18/50**

(58) **Field of Classification Search** ..... D18/36–37,  
D18/50, 54, 54.1, 55, 19; D14/420–425,  
D14/463–470; 400/613, 613.1–613.4, 690.1–690.4,  
400/691–694

See application file for complete search history.

(56) **References Cited**

**U.S. PATENT DOCUMENTS**

- D285,680 S \* 9/1986 Cederberg ..... D14/140.2
- D316,106 S \* 4/1991 Yamatogi ..... D18/36
- D316,707 S \* 5/1991 Allgeier ..... D14/420
- D326,867 S 6/1992 Kwak
- D327,878 S \* 7/1992 Fukutake et al. .... D14/420
- D359,506 S 6/1995 Lee
- D365,348 S \* 12/1995 Card et al. .... D14/140.3
- D378,218 S 2/1997 Hong et al.
- D447,766 S \* 9/2001 Obara et al. .... D18/19
- D450,757 S \* 11/2001 Okamura ..... D18/55
- 6,572,290 B2 \* 6/2003 McCleave et al. .... 400/693
- D527,045 S 8/2006 Lim et al.
- D530,737 S 10/2006 Lim et al.
- D532,043 S 11/2006 Park et al.
- D536,372 S 2/2007 Lim et al.
- D573,178 S 3/2007 Lee et al.
- D573,179 S 3/2007 Bae et al.
- D542,292 S \* 5/2007 Kitamura et al. .... D14/422

- D551,287 S \* 9/2007 Ishigami et al. .... D18/50
- D551,700 S 9/2007 Park et al.
- D580,483 S 9/2007 Park et al.
- D581,976 S 9/2007 Park et al.
- D552,170 S 10/2007 Kim et al.
- D555,195 S 11/2007 Park et al.
- D555,722 S 11/2007 Bae et al.
- D556,253 S 11/2007 Hong et al.

(Continued)

**OTHER PUBLICATIONS**

U.S. Appl. No. 29/294,097, Applicant: Hee-Yul Kim, et al., filed Dec. 21, 2007 entitled Laser Printer.

U.S. Appl. No. 29/294,093, Applicant: Hee-Yul Kim, et al., filed Dec. 21, 2007 entitled Laser Printer.

U.S. Appl. No. 29/308,001, Applicant: Kyong-Hwan Kim, et al., filed May 22, 2008 entitled Color Laser Printer.

U.S. Appl. No. 29/308,000, Applicant: Kyong-Hwan Kim, et al., filed May 22, 2008 entitled Laser Printer.

U.S. Appl. No. 29/308,018, Applicant: Kyong-Hwan Kim, et al., filed May 22, 2008 entitled Laser Printer.

*Primary Examiner*—Cathy Anne MacCormac

(74) *Attorney, Agent, or Firm*—Flynn, Thiel, Boutell & Tanis, P.C.

(57) **CLAIM**

The ornamental design for a laser printer, as shown and described.

**DESCRIPTION**

FIG. 1 is a top front perspective view of a laser printer showing our new design;

FIG. 2 is a front elevational view thereof;

FIG. 3 is a rear elevational view thereof;

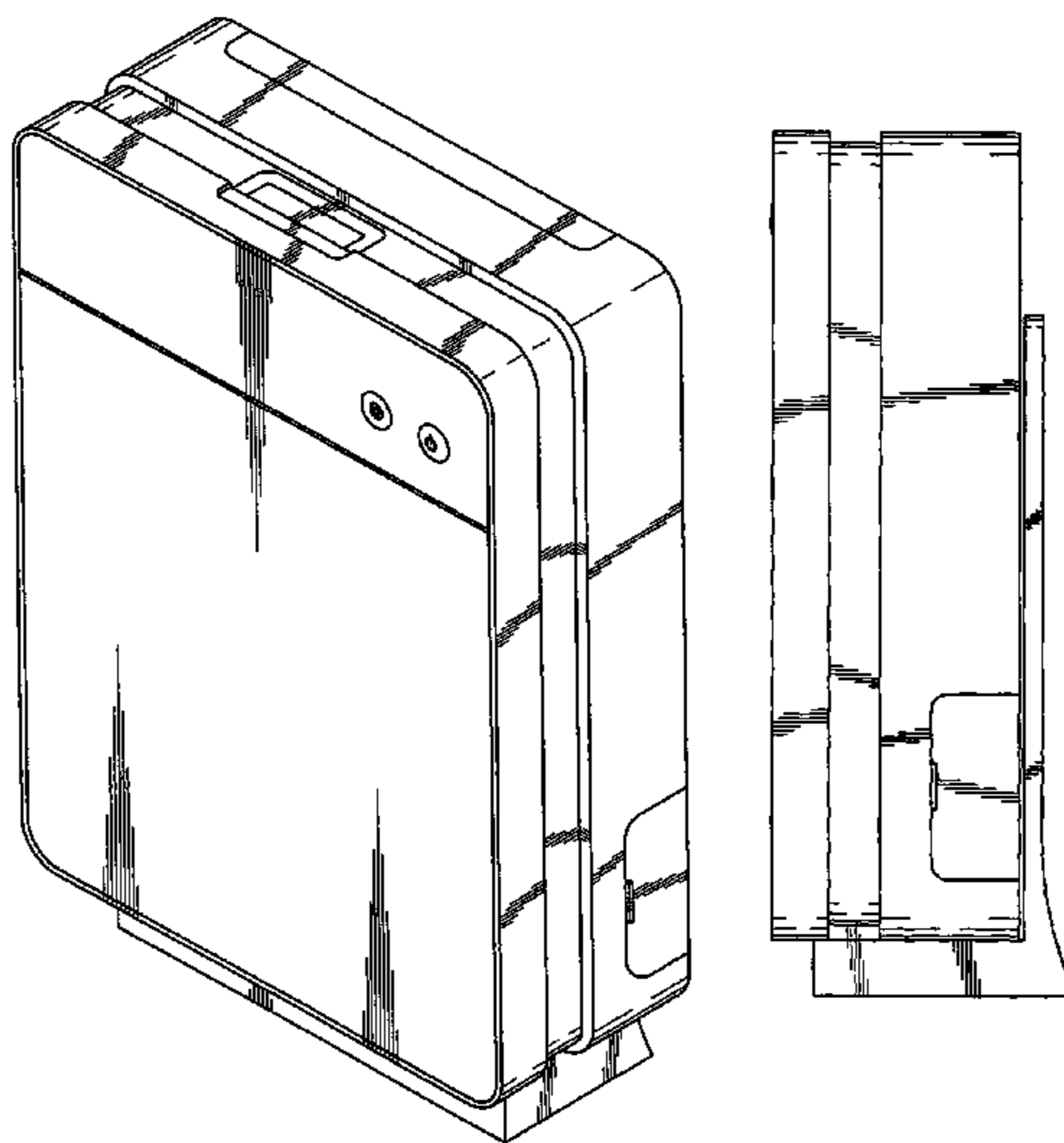
FIG. 4 is a left side elevational view thereof;

FIG. 5 is a right side elevational view thereof;

FIG. 6 is a top plan view thereof; and,

FIG. 7 is a bottom plan view thereof.

**1 Claim, 5 Drawing Sheets**



# US D607,502 S

Page 2

---

## U.S. PATENT DOCUMENTS

D556,822 S	12/2007	Hong et al.	D562,378 S	2/2008	Kim et al.	
D558,261 S	12/2007	Hong et al.	D578,535 S *	10/2008	Schmitz .....	D14/421
D558,262 S	12/2007	Hong et al.	D584,344 S	1/2009	Lee et al.	
D558,820 S	1/2008	Hong et al.	D584,348 S	1/2009	Boo et al.	
D560,250 S *	1/2008	Ito .....	D586,383 S *	2/2009	Takatani .....	D18/50
D561,248 S	2/2008	Lee et al.	D586,385 S	2/2009	Kim et al.	
D561,824 S	2/2008	Park et al.	D593,149 S	5/2009	Park et al.	

\* cited by examiner

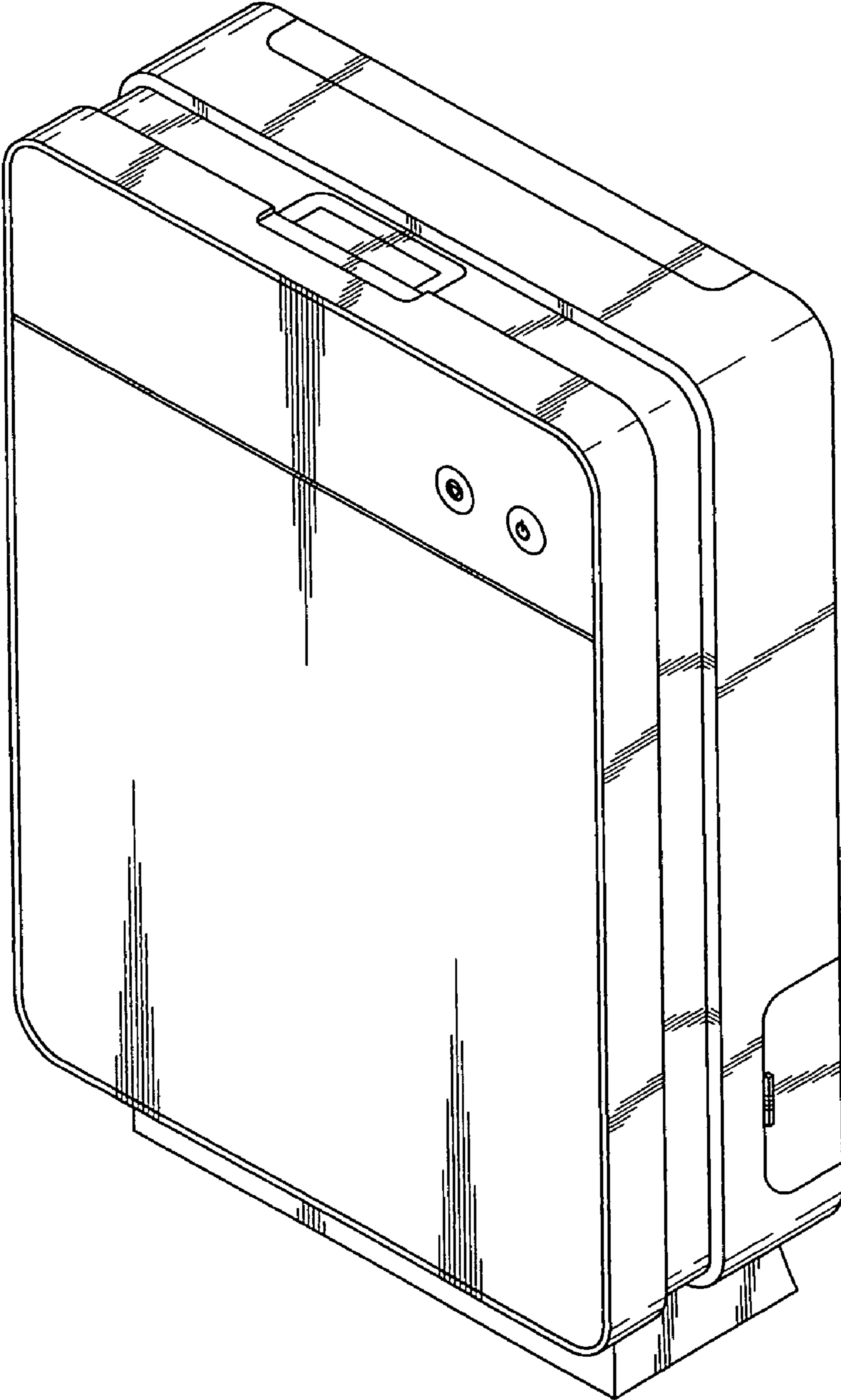


FIG. 1

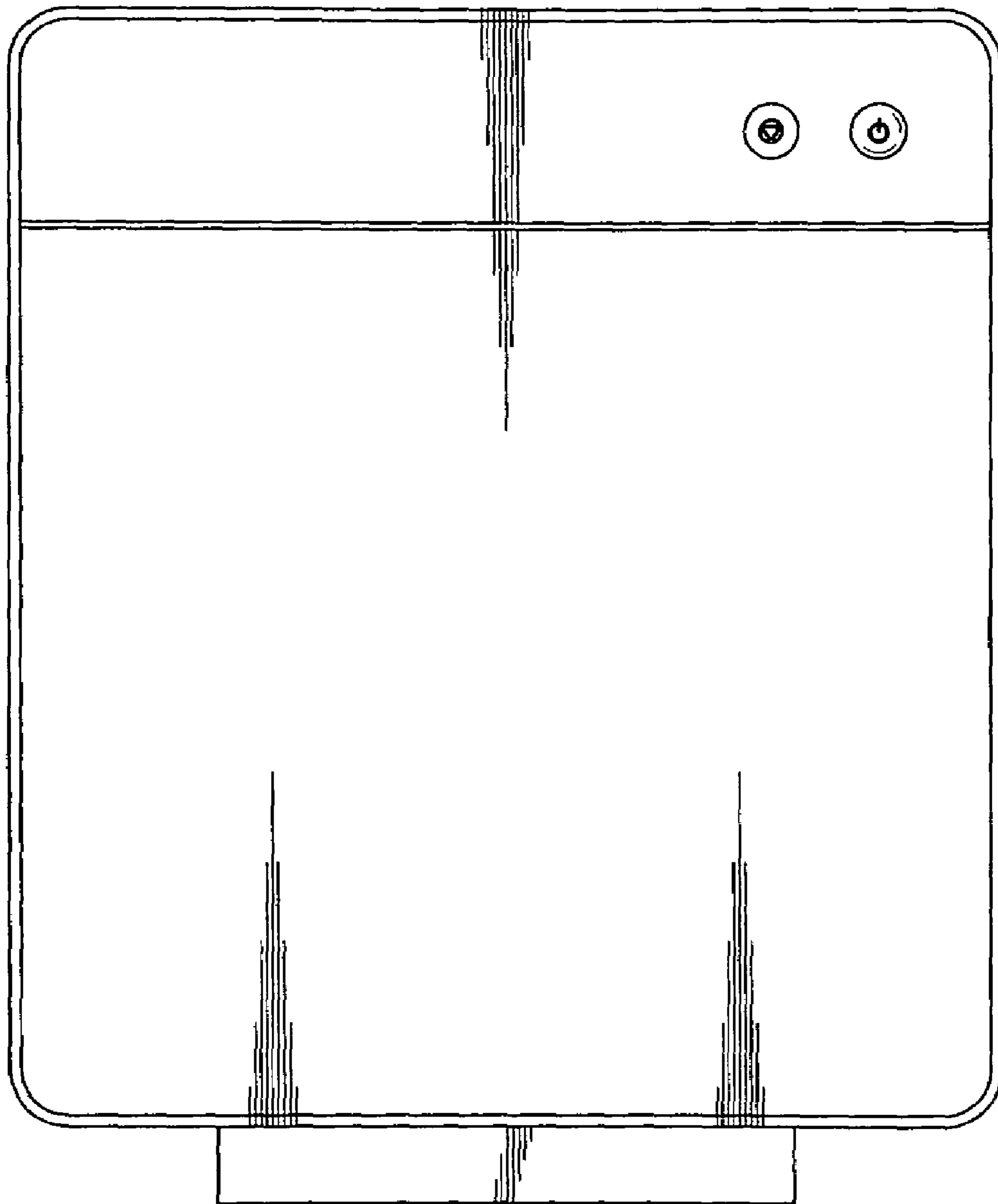


FIG. 2

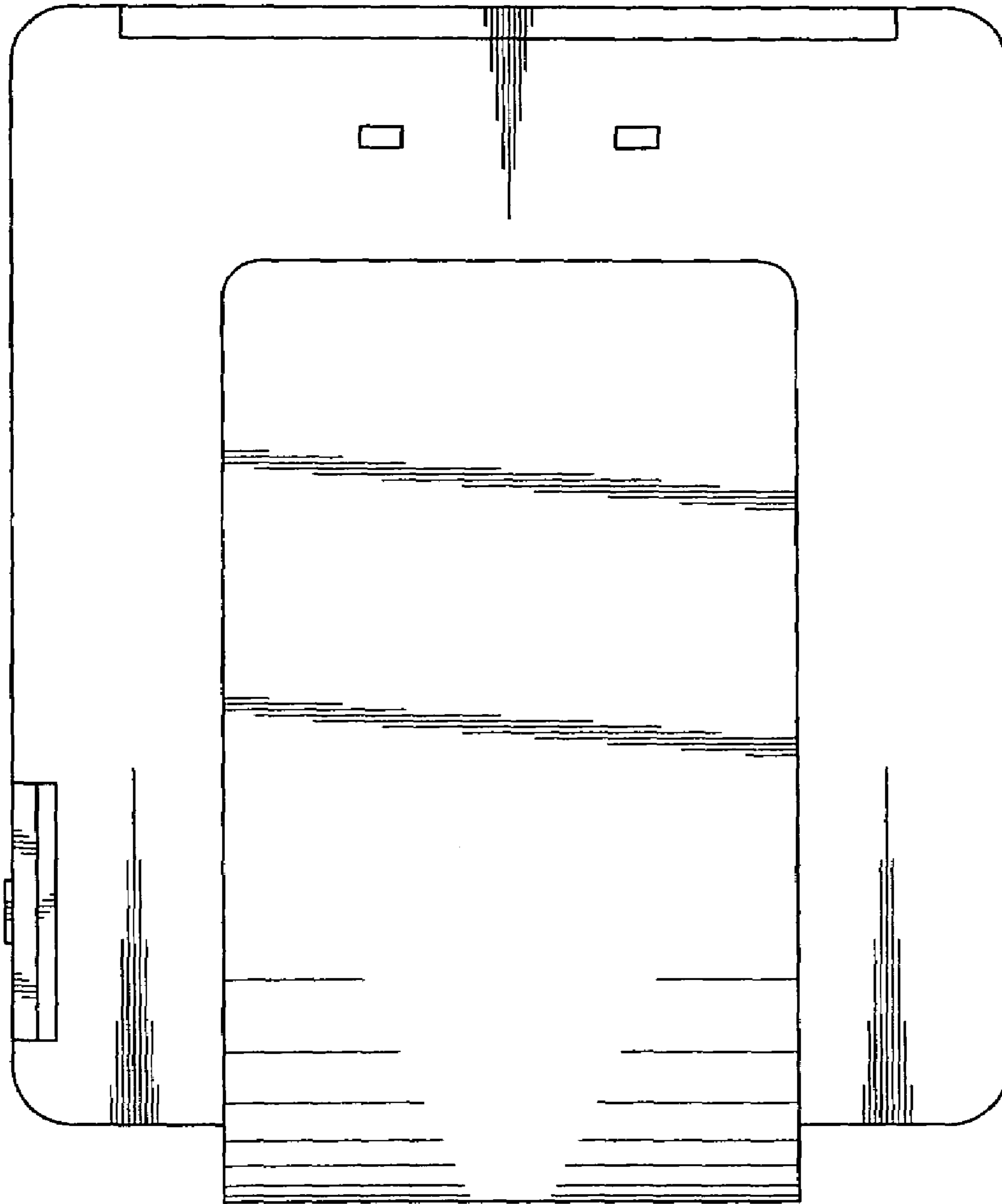


FIG. 3

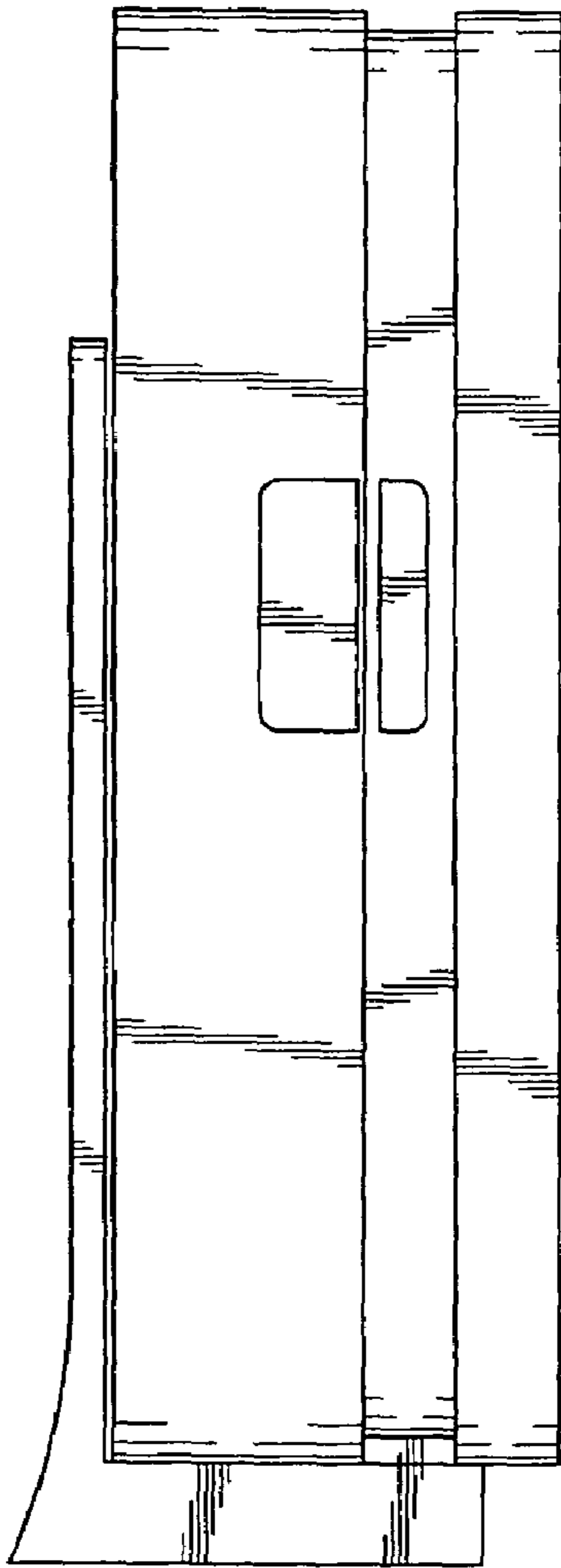


FIG. 4

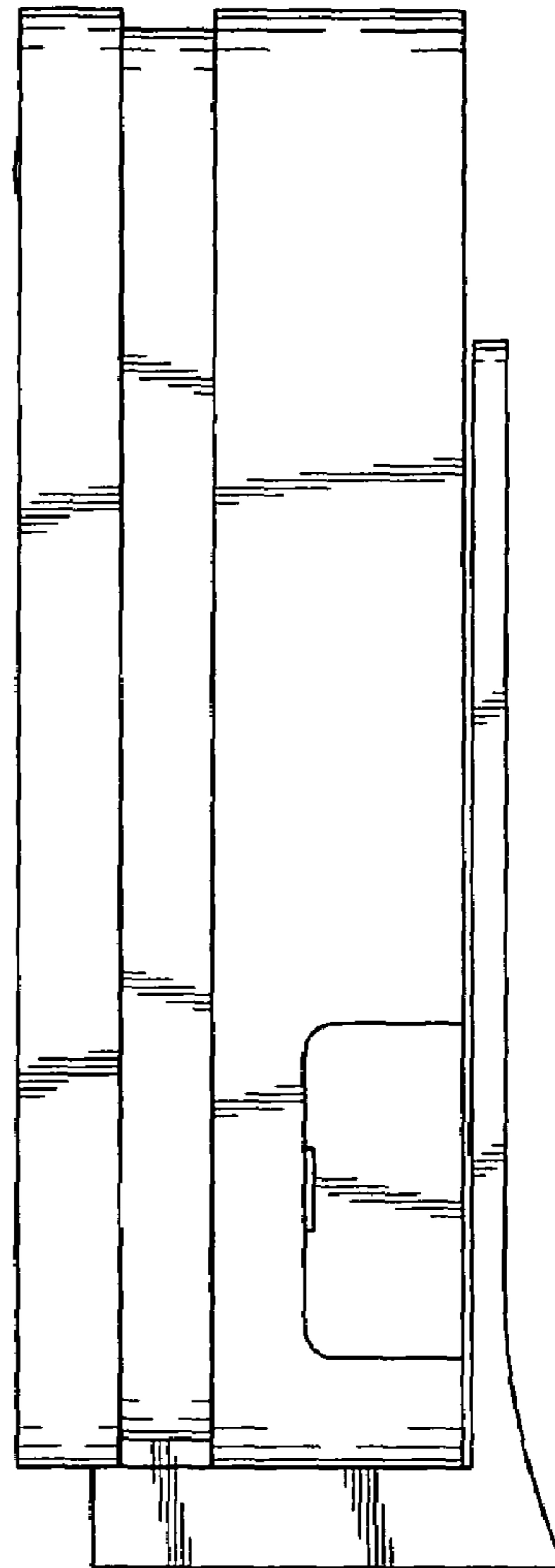


FIG. 5

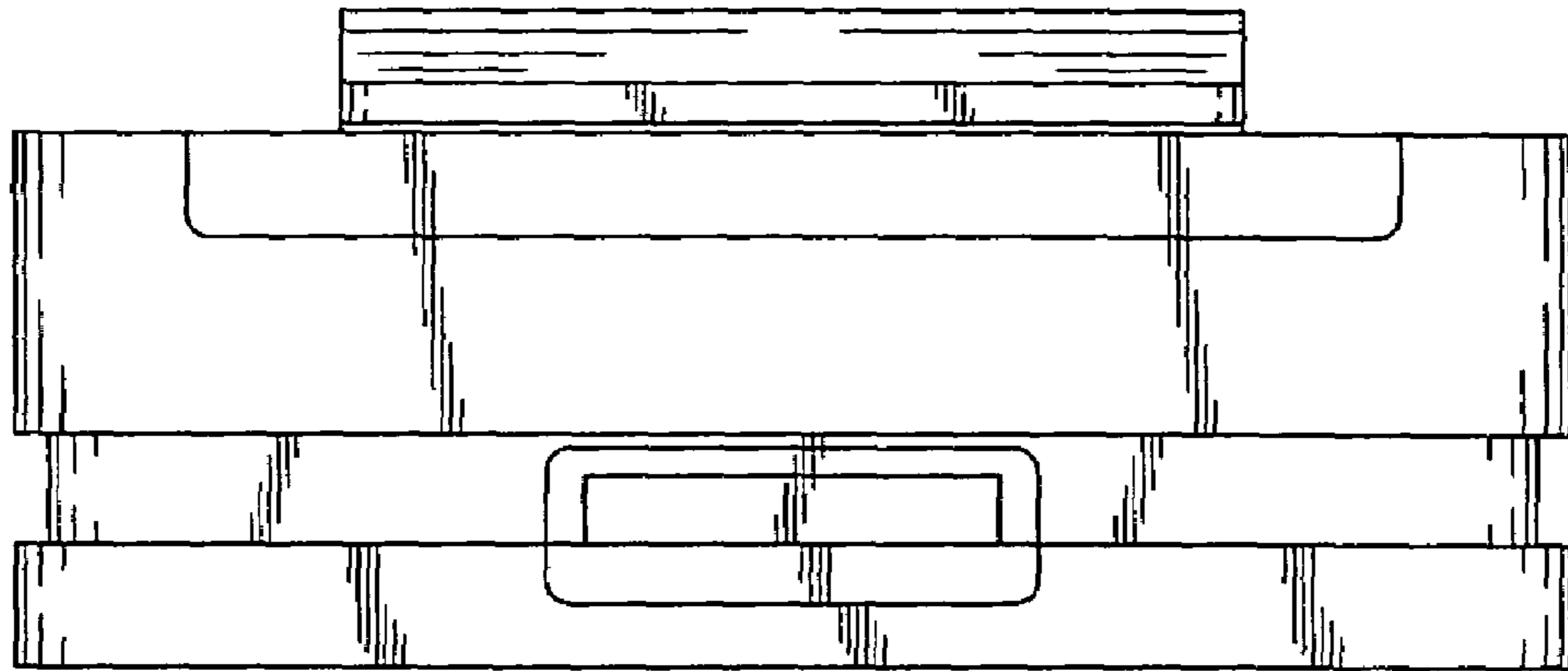


FIG. 6

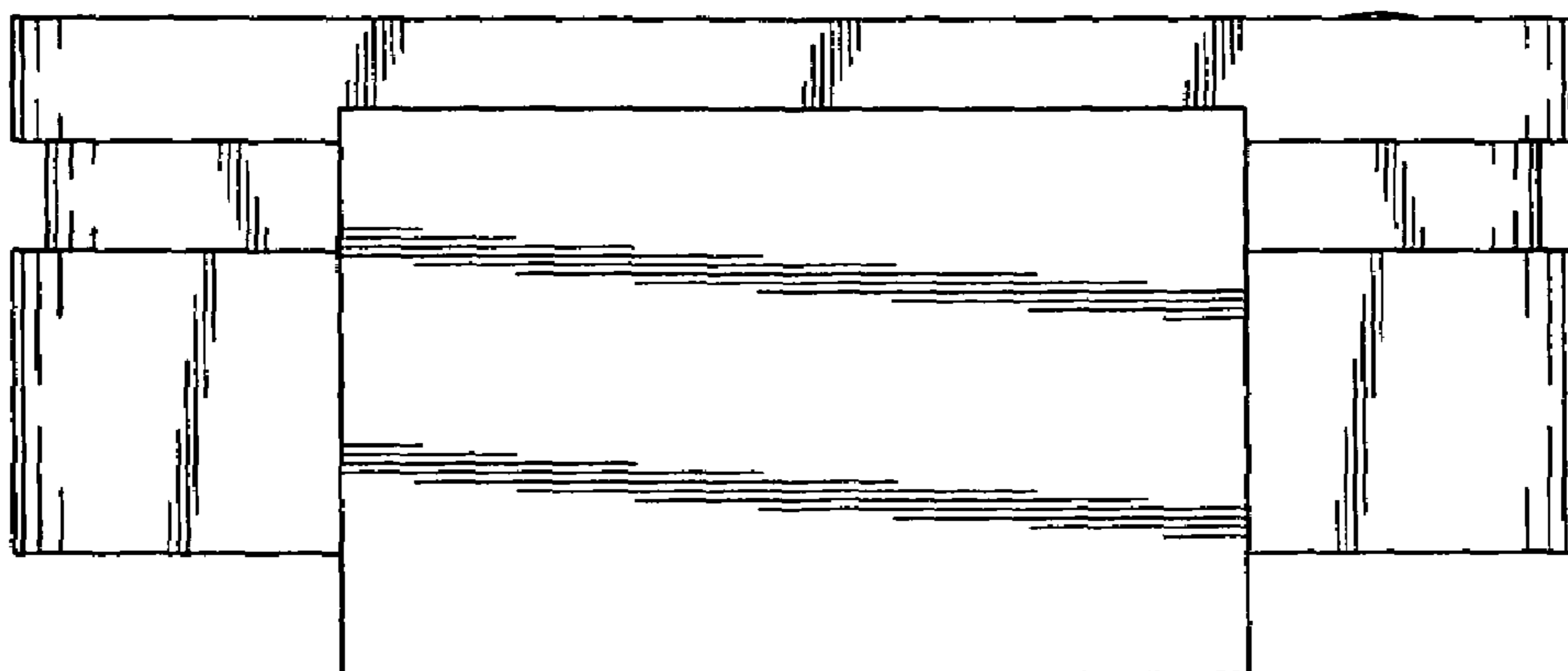


FIG. 7