



US00D607490S

(12) **United States Design Patent**
Shih

(10) **Patent No.:** **US D607,490 S**
(45) **Date of Patent:** **** Jan. 5, 2010**

(54) **HAND STAMP**

(76) Inventor: **Hsu-Shen Shih**, No. 31, Lane 349,
Chungcheng S. Rd., Yungkang City,
Tainan Hsien (TW)

(**) Term: **14 Years**

(21) Appl. No.: **29/311,935**

(22) Filed: **Aug. 3, 2009**

(51) **LOC (9) Cl.** **19-02**

(52) **U.S. Cl.** **D18/15**

(58) **Field of Classification Search** D18/15-18;
101/333, 334, 327, 328, 352.07, 405, 406;
118/264, 268

See application file for complete search history.

(56) **References Cited**

U.S. PATENT DOCUMENTS

D421,452	S	*	3/2000	Pichler	D18/15
6,058,840	A	*	5/2000	Poplawski et al.	101/405
D441,009	S	*	4/2001	Hayashi	D18/15
D477,628	S	*	7/2003	Zambelli et al.	D18/15
D516,117	S	*	2/2006	Shih	D18/15
7,024,994	B2	*	4/2006	Dour	101/333
D568,381	S	*	5/2008	Shih	D18/15
D583,857	S	*	12/2008	Shih	D18/15

7,464,643	B2	*	12/2008	Pointl	101/405
D586,844	S	*	2/2009	Shih	D18/15
D587,746	S	*	3/2009	Russo et al.	D18/15
D595,340	S	*	6/2009	Kida et al.	D18/15

* cited by examiner

Primary Examiner—Charles A Rademaker
(74) *Attorney, Agent, or Firm*—HersHKovitz & Associates,
LLC; Abraham HersHKovitz

(57) **CLAIM**

The ornamental design for a hand stamp, as shown and described.

DESCRIPTION

FIG. 1 is a perspective view of a hand stamp, showing my new design;

FIG. 2 is a front view thereof;

FIG. 3 is a rear view thereof;

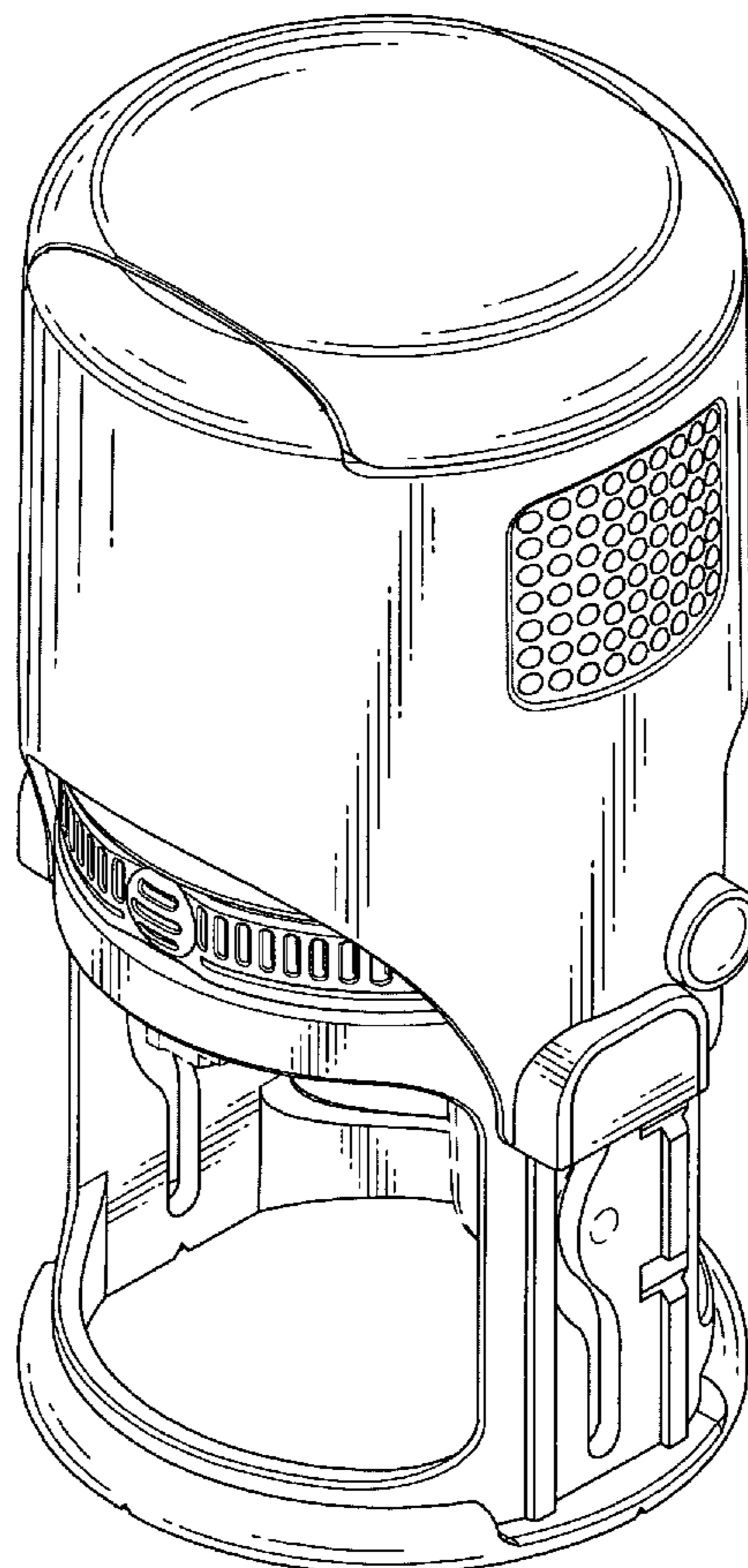
FIG. 4 is a left view thereof;

FIG. 5 is a right view thereof; and,

FIG. 6 is a top view thereof.

The broken lines in the drawings are shown for illustrative purposes only and form no part of the claimed design.

1 Claim, 6 Drawing Sheets



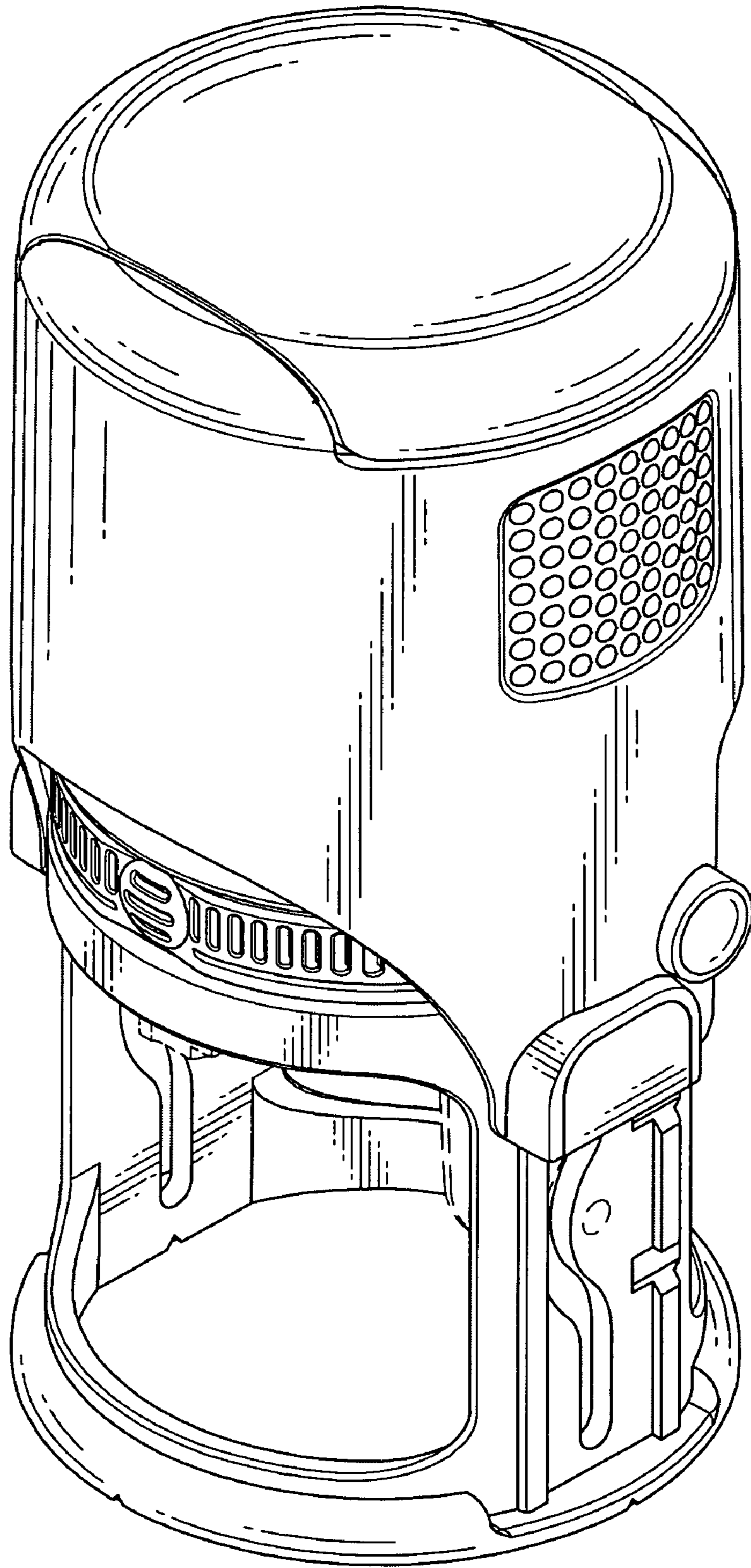


FIG. 1

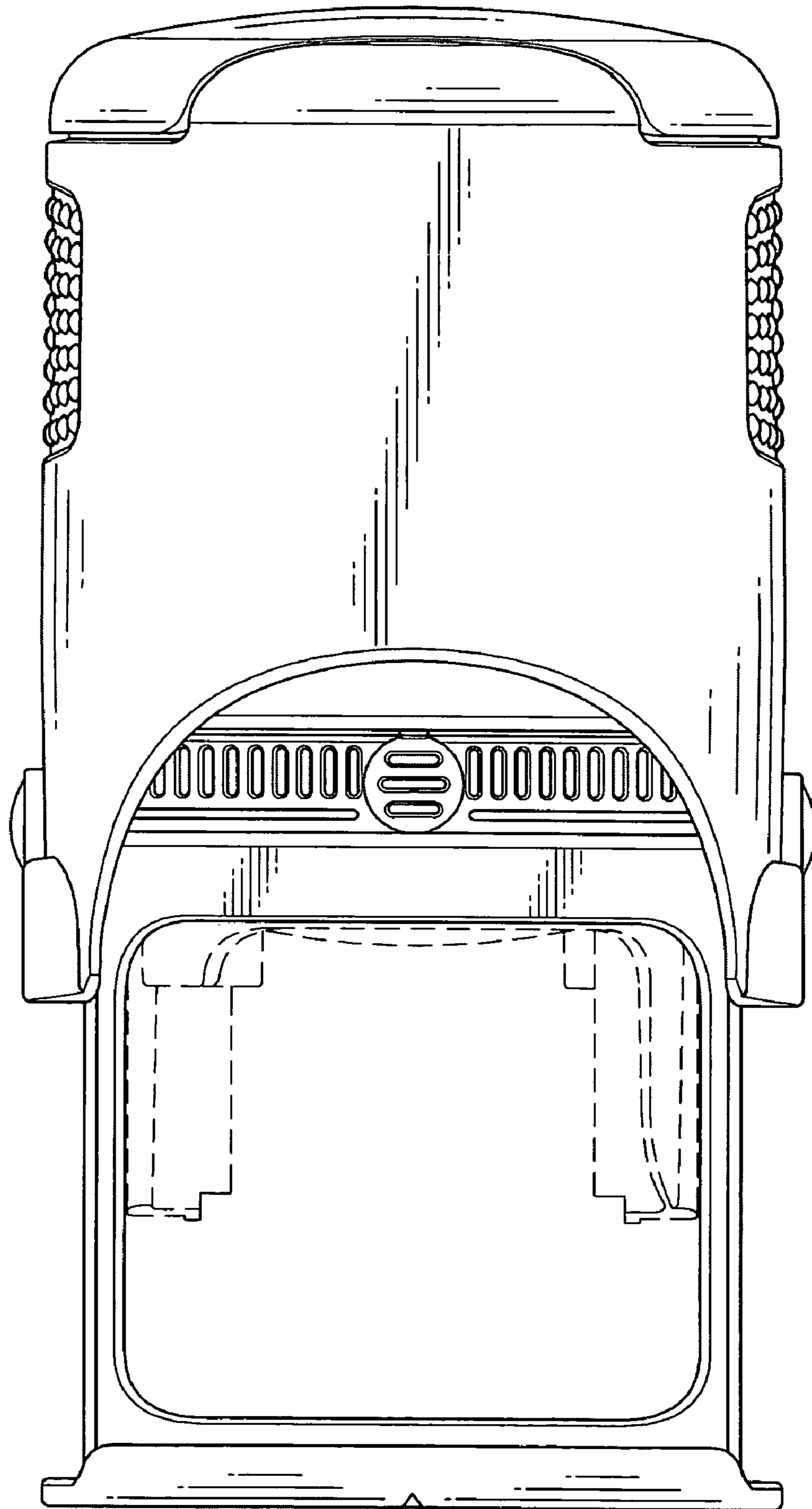


FIG.2

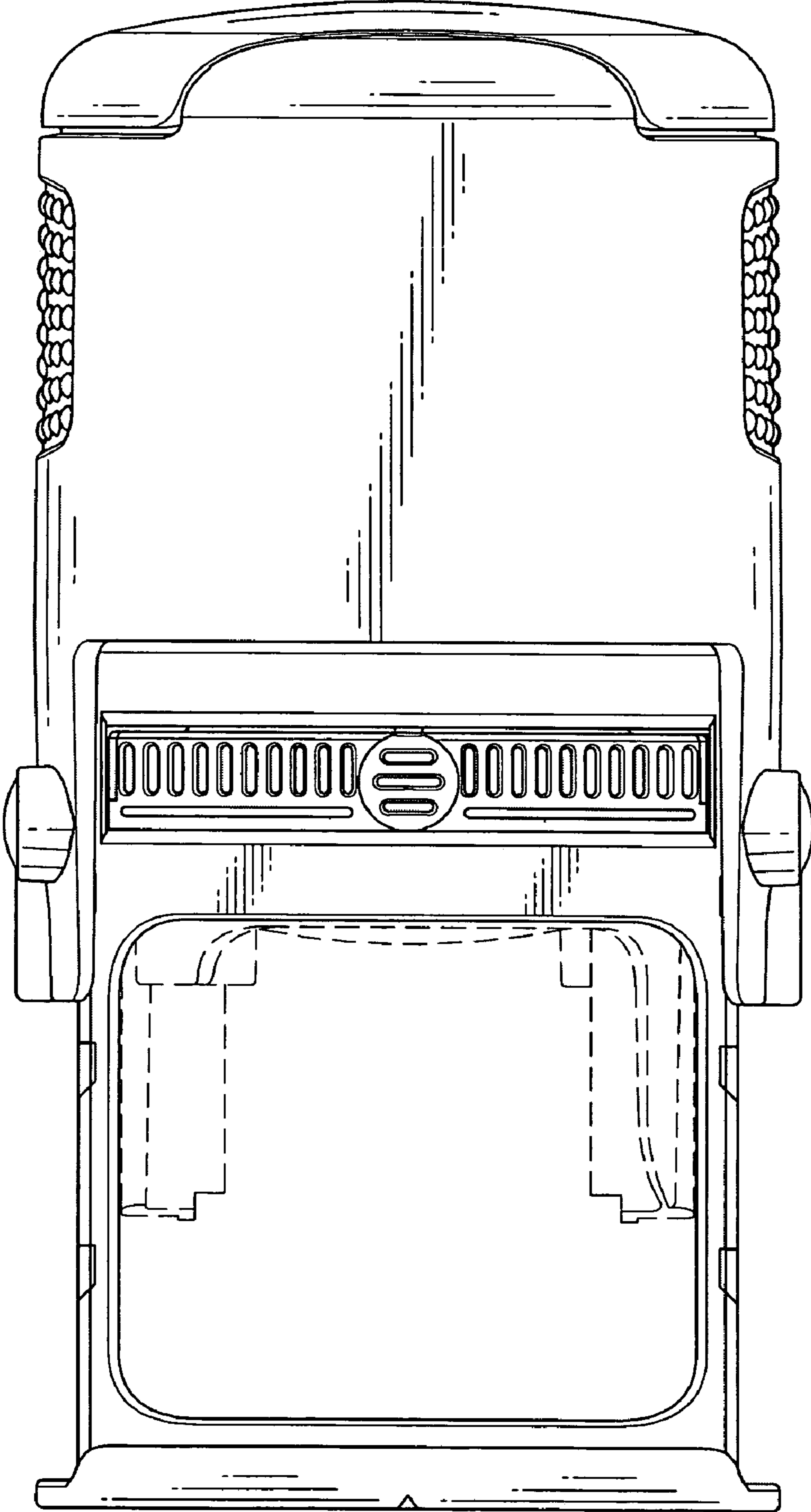


FIG.3

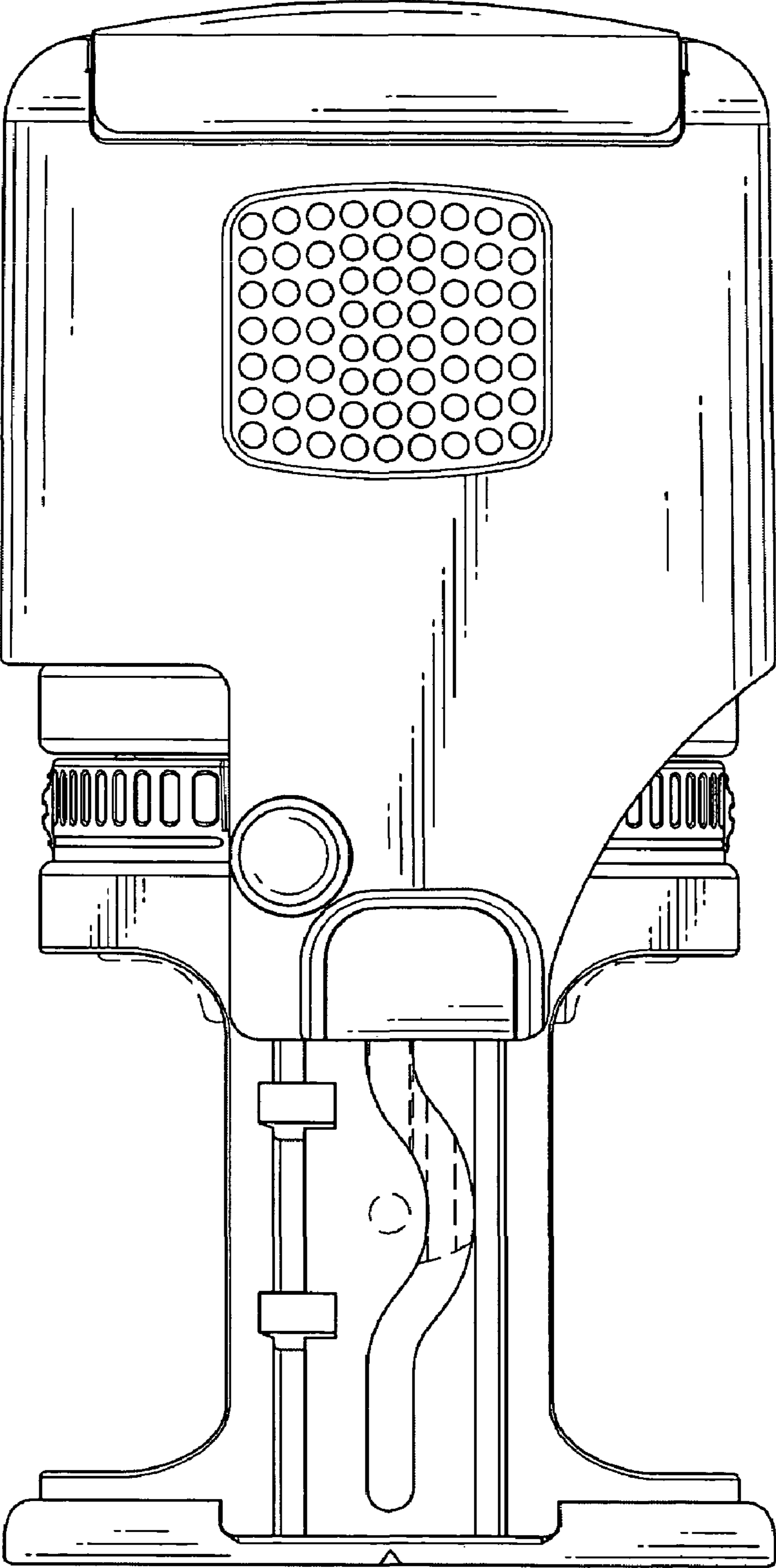


FIG.4

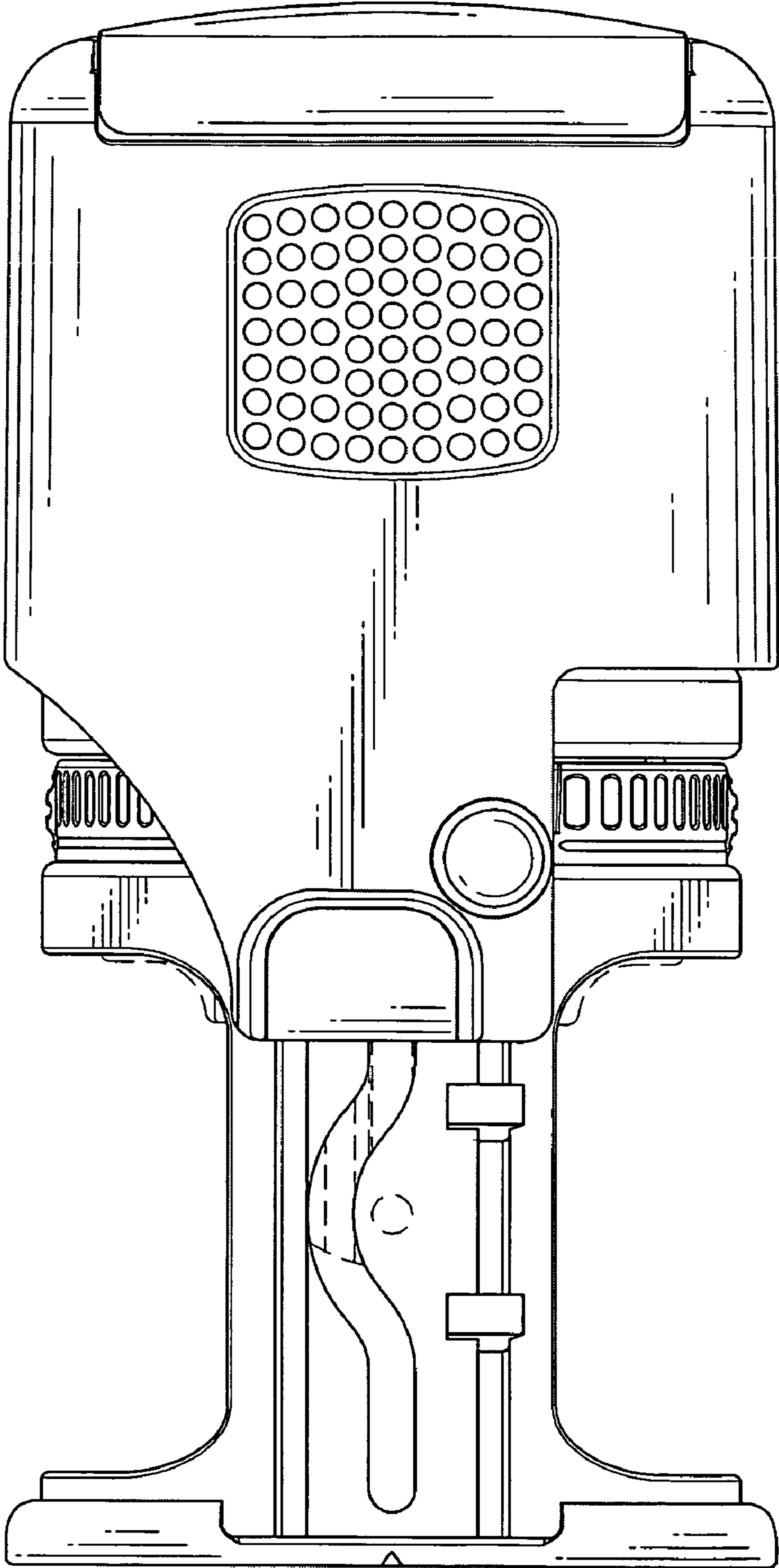


FIG.5

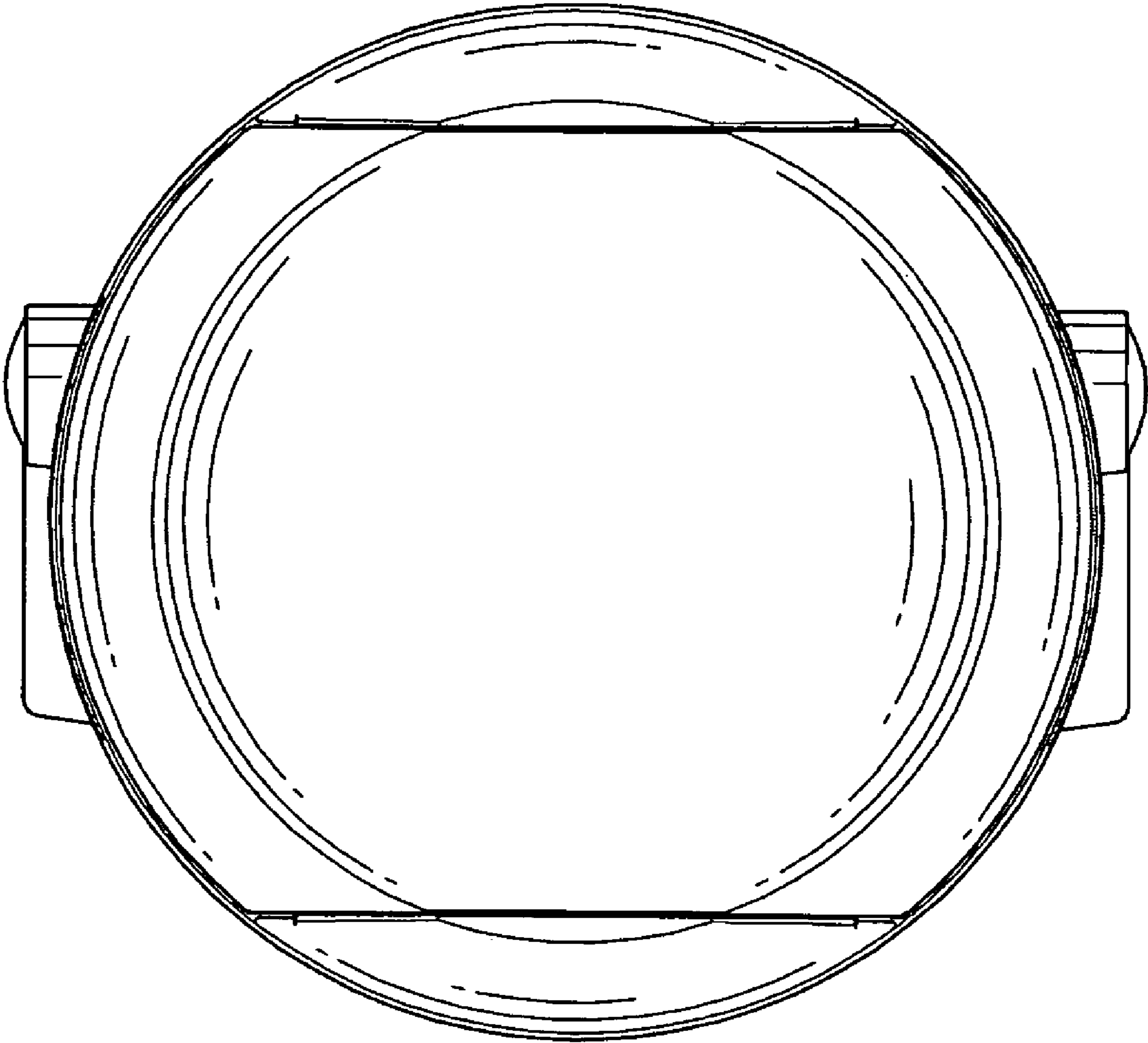


FIG.6