

US00D607489S

(12) **United States Design Patent**
Kida et al.

(10) **Patent No.:** **US D607,489 S**
(45) **Date of Patent:** **** Jan. 5, 2010**

(54) **STAMP**

D545,885 S * 7/2007 Faber D18/15
D568,381 S * 5/2008 Shih D18/15
7,464,643 B2 * 12/2008 Pointl 101/405

(75) Inventors: **Masaki Kida**, Setagaya-ku (JP);
Motohide Imaizumi, Setagaya-ku (JP)

FOREIGN PATENT DOCUMENTS

(73) Assignee: **Shachihata Inc.**, Aichi (JP)

JP 946405 11/1995
JP 1031866-1 4/1999
JP 1090086 9/2000
JP 1260537 12/2005

(**) Term: **14 Years**

* cited by examiner

(21) Appl. No.: **29/311,048**

(22) Filed: **Dec. 16, 2008**

Primary Examiner—Charles A Rademaker

(74) *Attorney, Agent, or Firm*—Jacobson Holman PLLC

(30) **Foreign Application Priority Data**

Jul. 2, 2008 (JP) D2008-017095

(57) **CLAIM**

The ornamental design for a stamp, as shown and described.

(51) **LOC (9) Cl.** **19-02**

(52) **U.S. Cl.** **D18/15**

(58) **Field of Classification Search** D18/15-18;
101/333, 334, 327, 328, 352.07, 405, 406;
118/264, 268

DESCRIPTION

See application file for complete search history.

FIG. 1 is a perspective view of a stamp showing our new design;

FIG. 2 is a rear elevation thereof.

FIG. 3 is a right elevation thereof.

FIG. 4 is a left elevation thereof.

FIG. 5 is a top plan view thereof.

FIG. 6 is a bottom view thereof.

FIG. 7 is a cross-section thereof taken along a line A—A in FIG. 5;

FIG. 8 is a cross-section thereof taken along a line B—B in FIG. 1; and,

FIG. 9 is a perspective view thereof.

(56) **References Cited**

U.S. PATENT DOCUMENTS

4,289,070 A * 9/1981 MacGregor 101/327
D391,983 S * 3/1998 Yamaguchi D18/15
6,189,450 B1 * 2/2001 Shih 101/327
D452,262 S * 12/2001 MacNeil et al. D18/15
D492,957 S * 7/2004 Wei D18/15
D495,733 S * 9/2004 Sculler D18/18
D497,936 S * 11/2004 Kida et al. D18/15
D507,294 S * 7/2005 Kida et al. D18/15
D508,521 S * 8/2005 Kida et al. D18/15
6,945,172 B1 * 9/2005 Shih 101/333

1 Claim, 2 Drawing Sheets

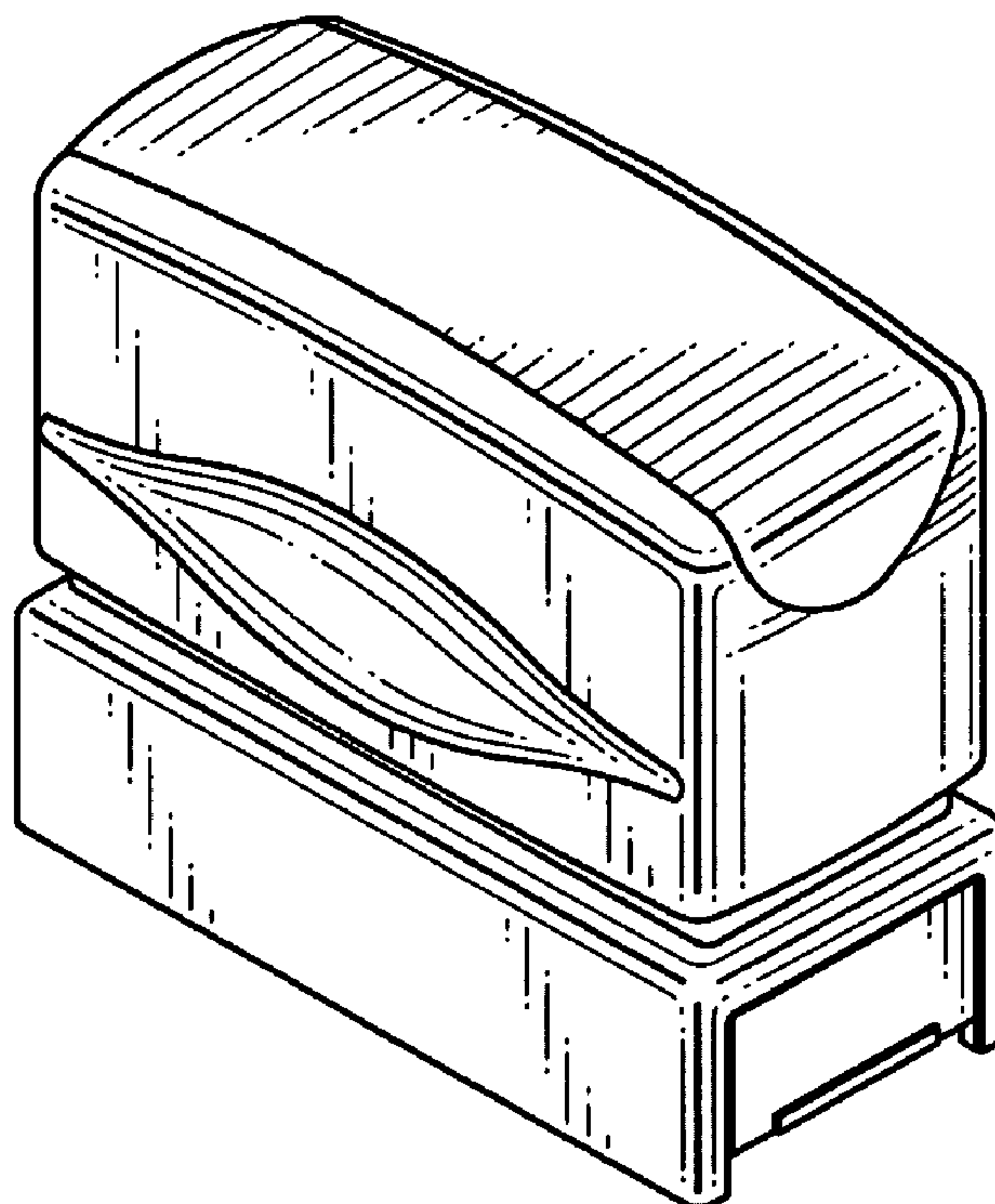
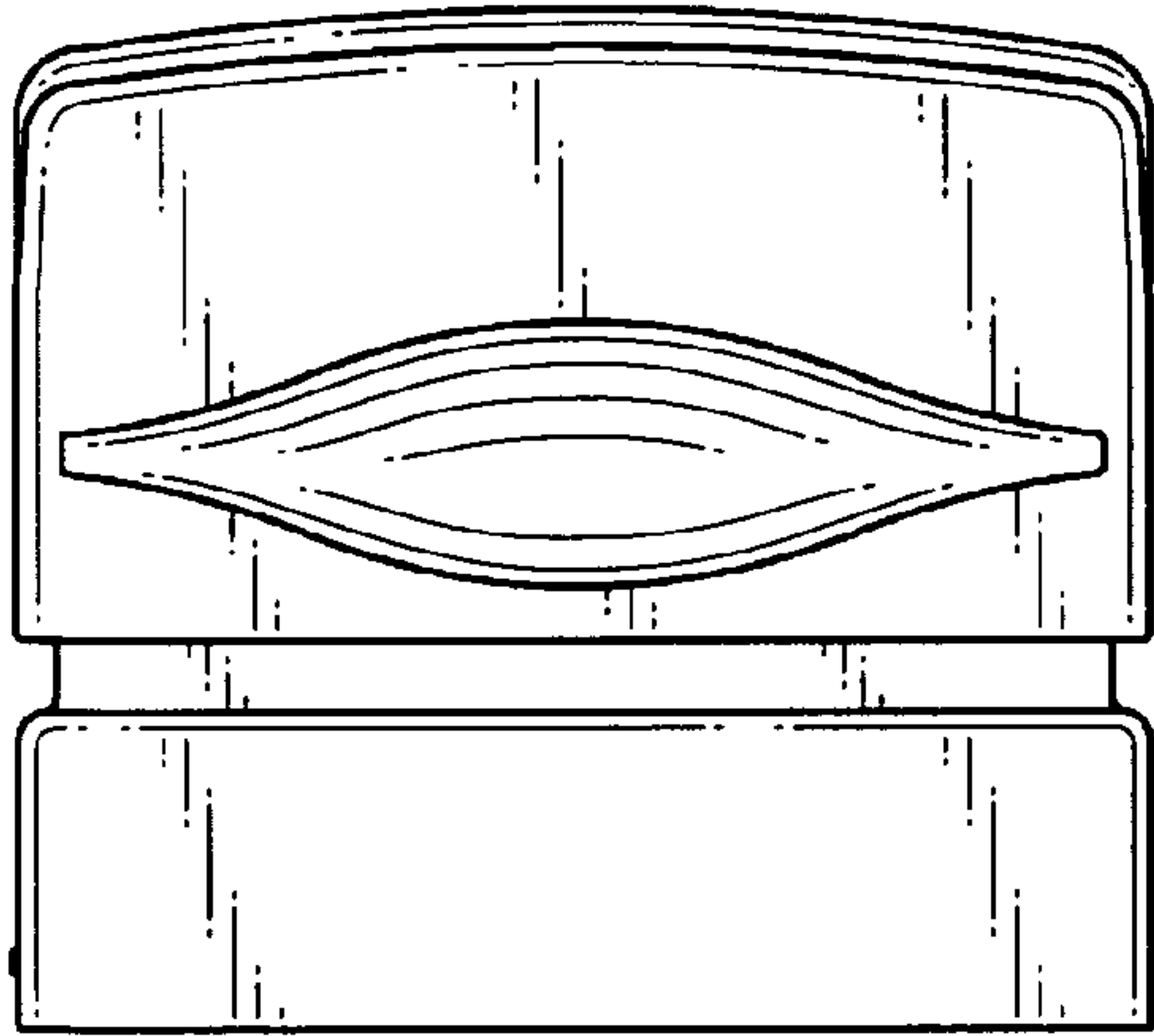


FIG. 1

B



B

FIG. 2

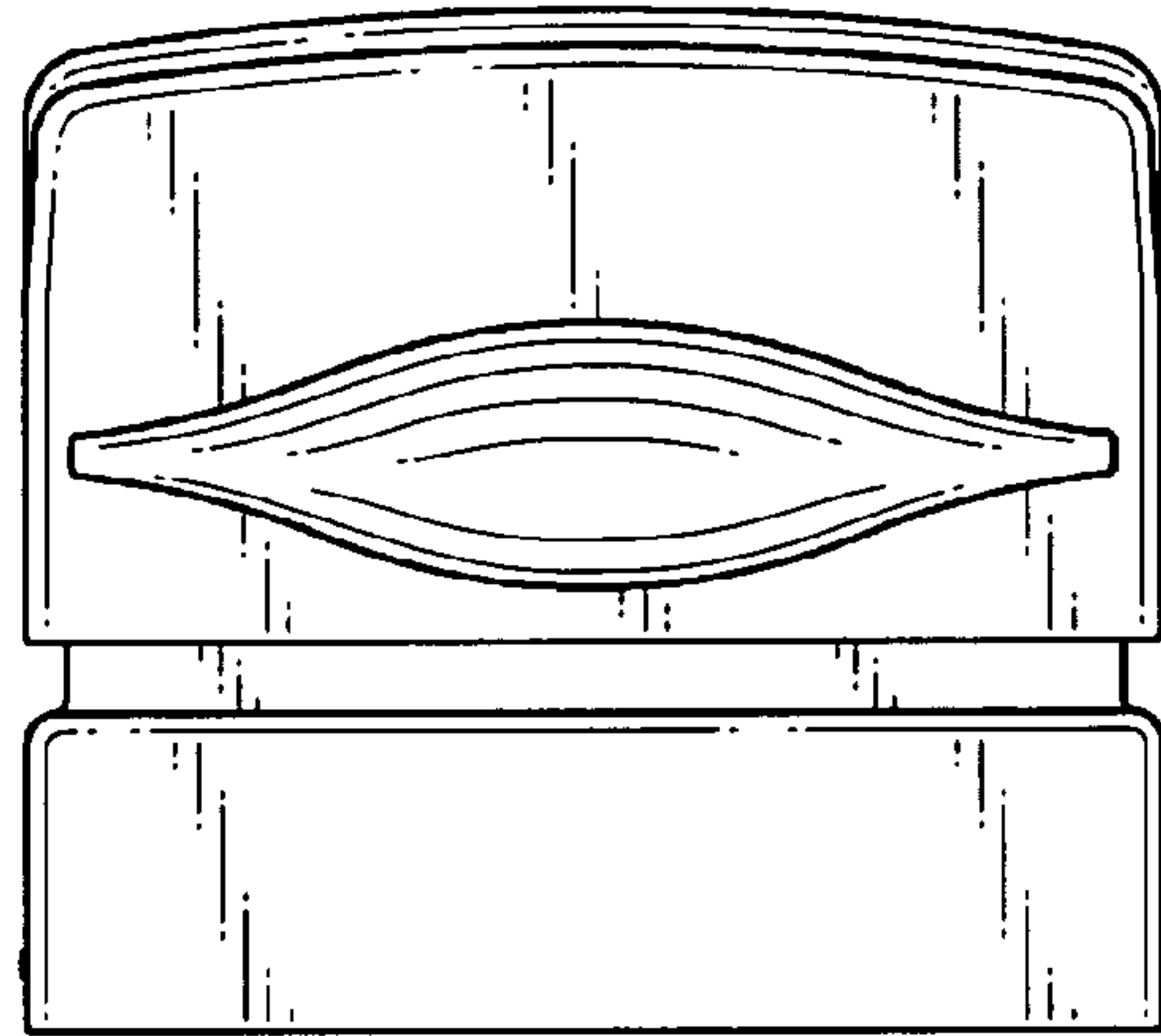


FIG. 3

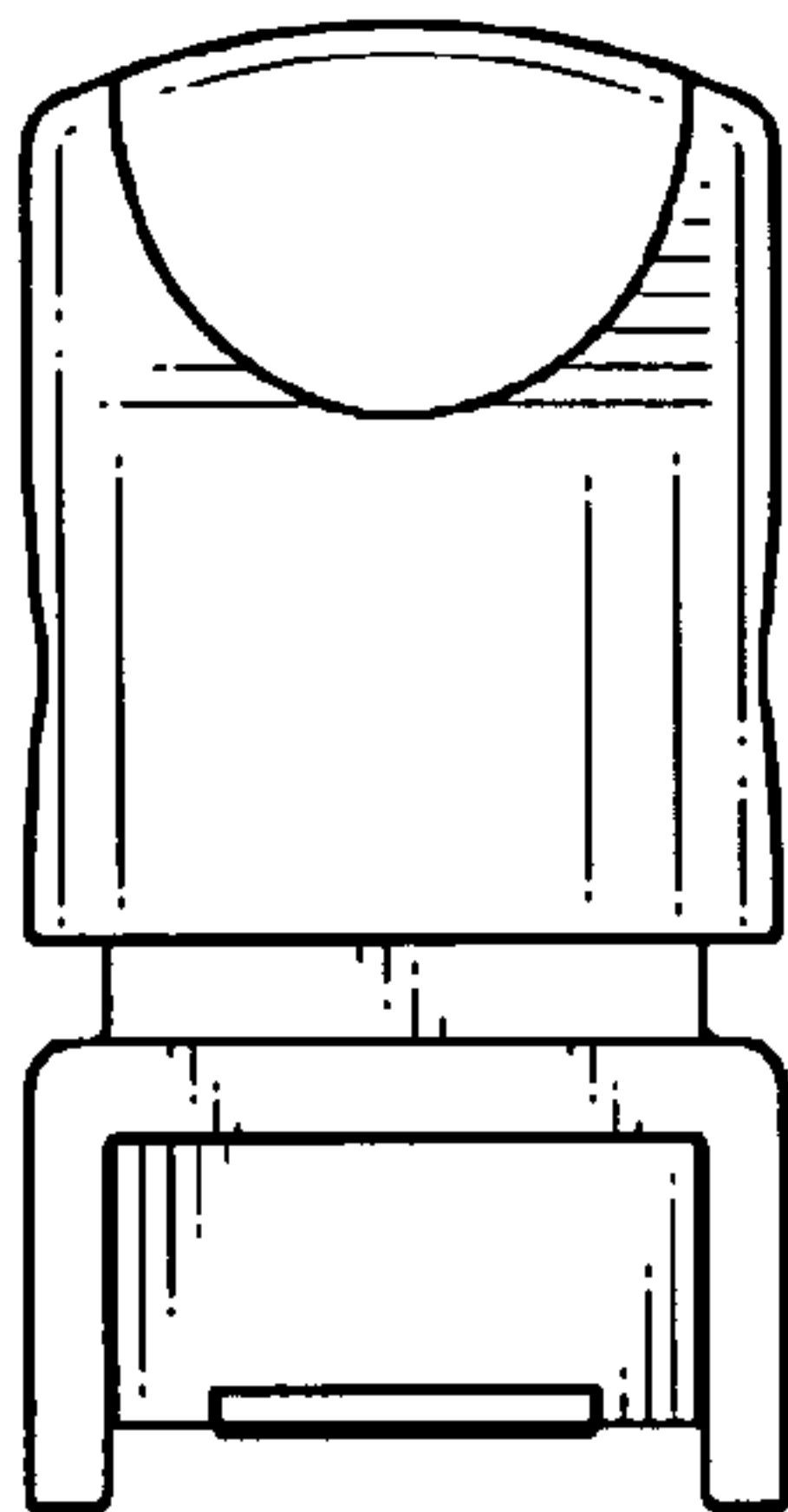


FIG. 4

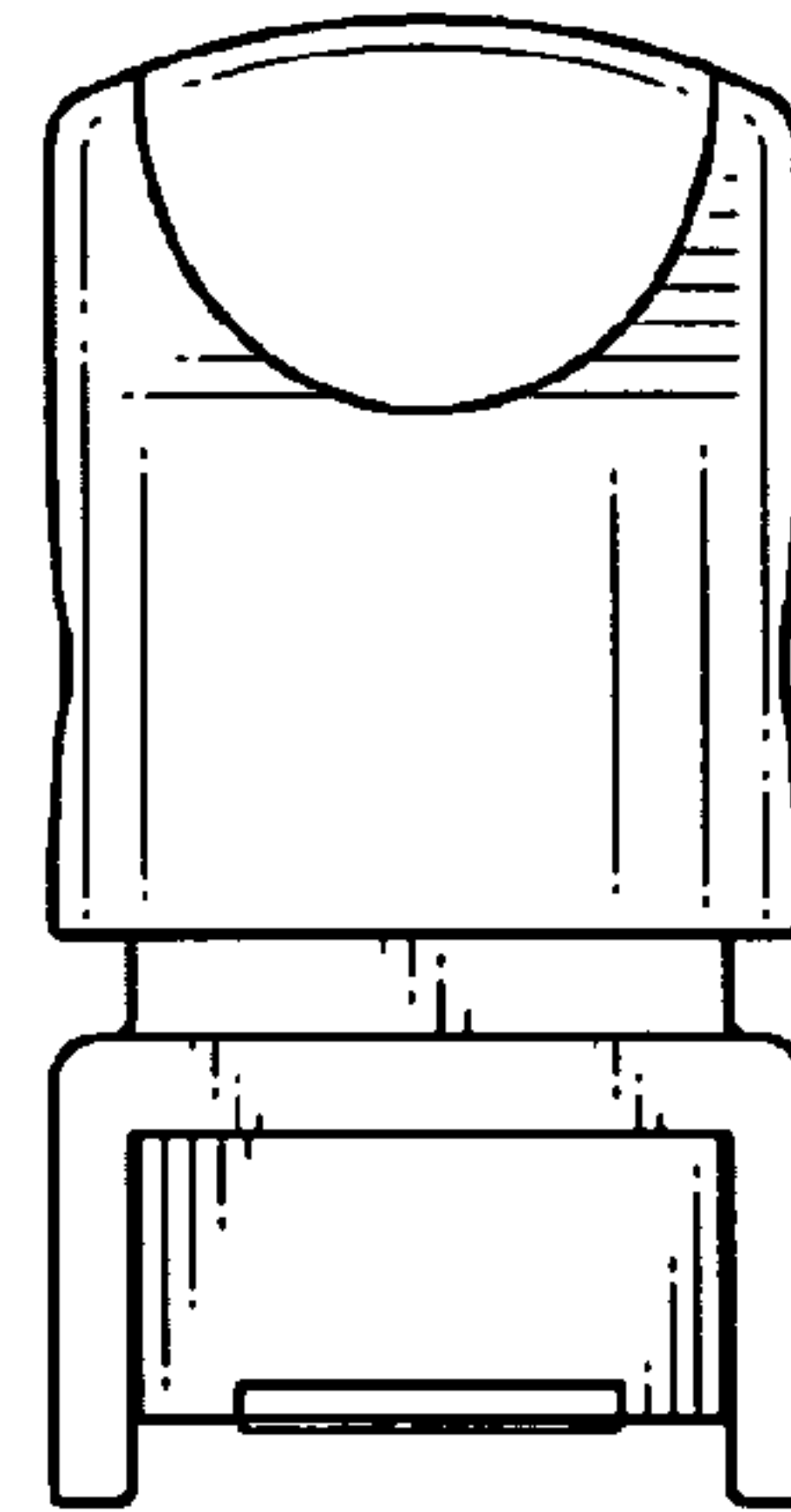


FIG. 5

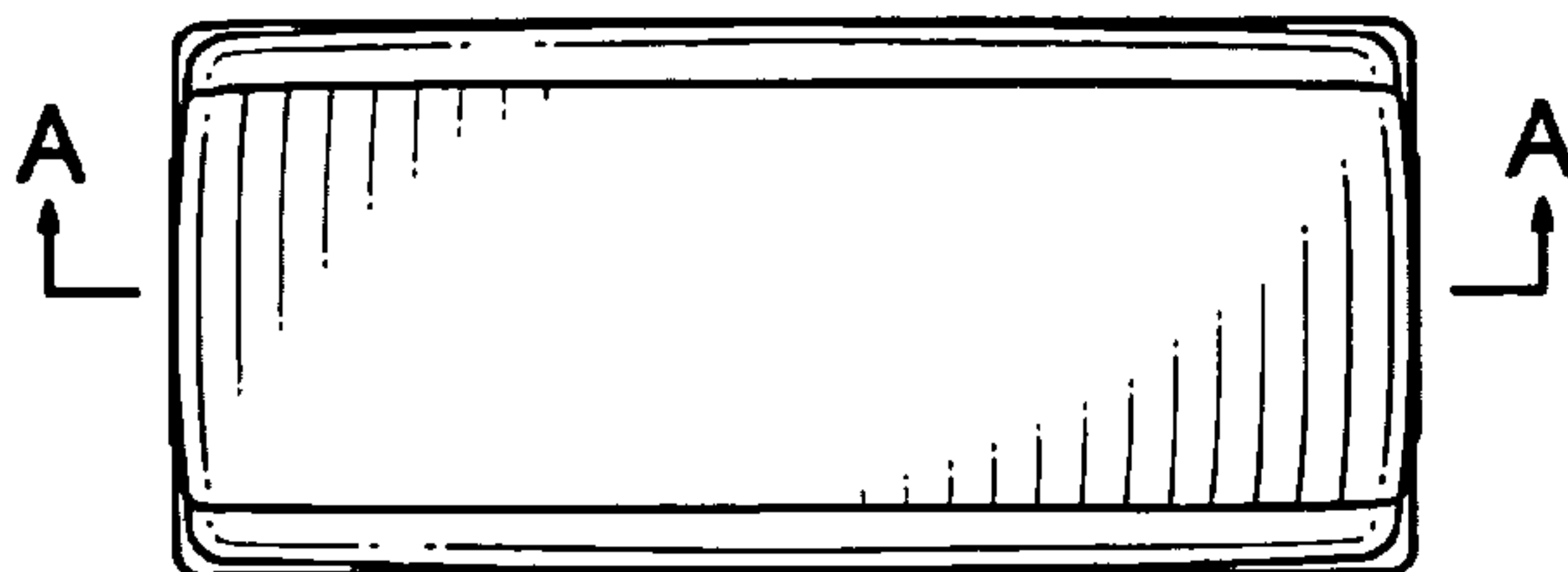


FIG. 6

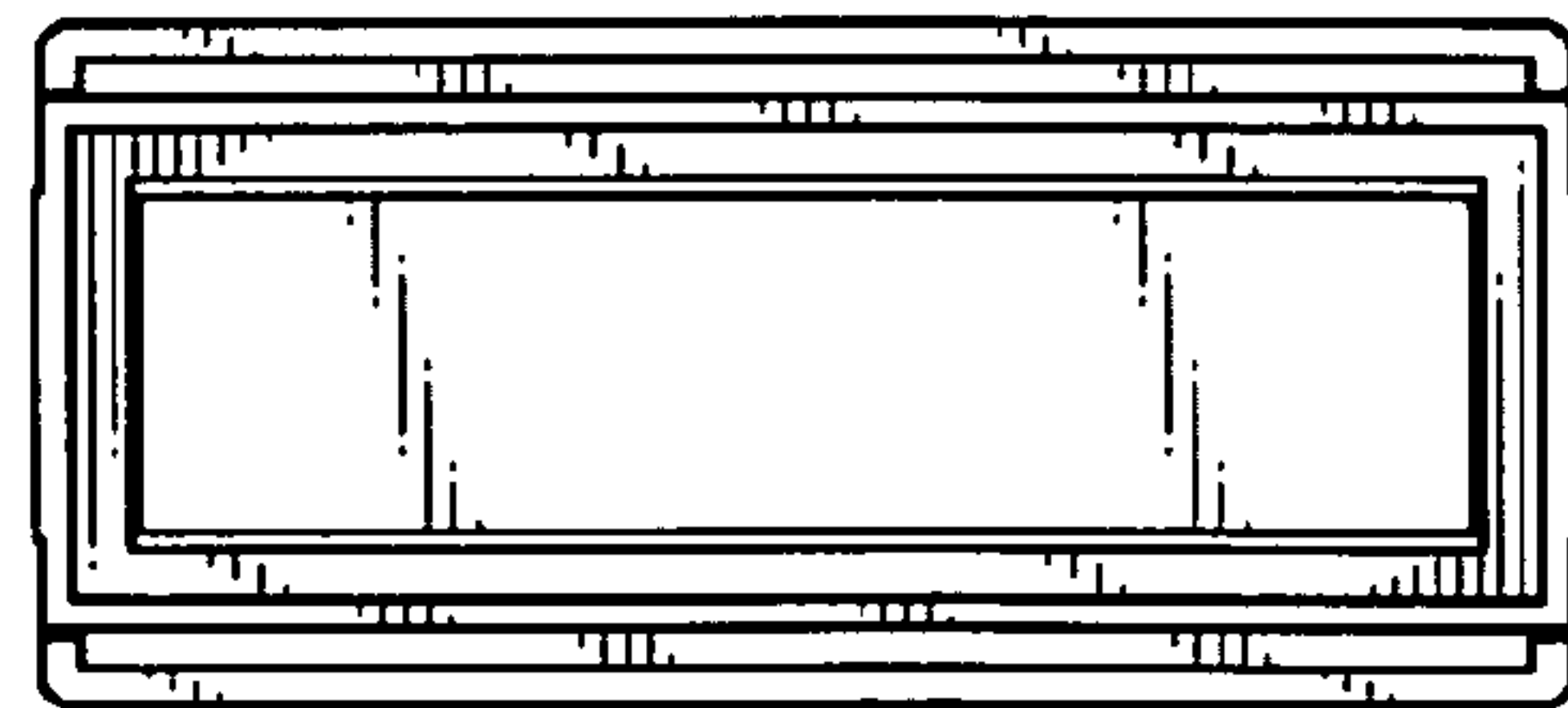


FIG. 7

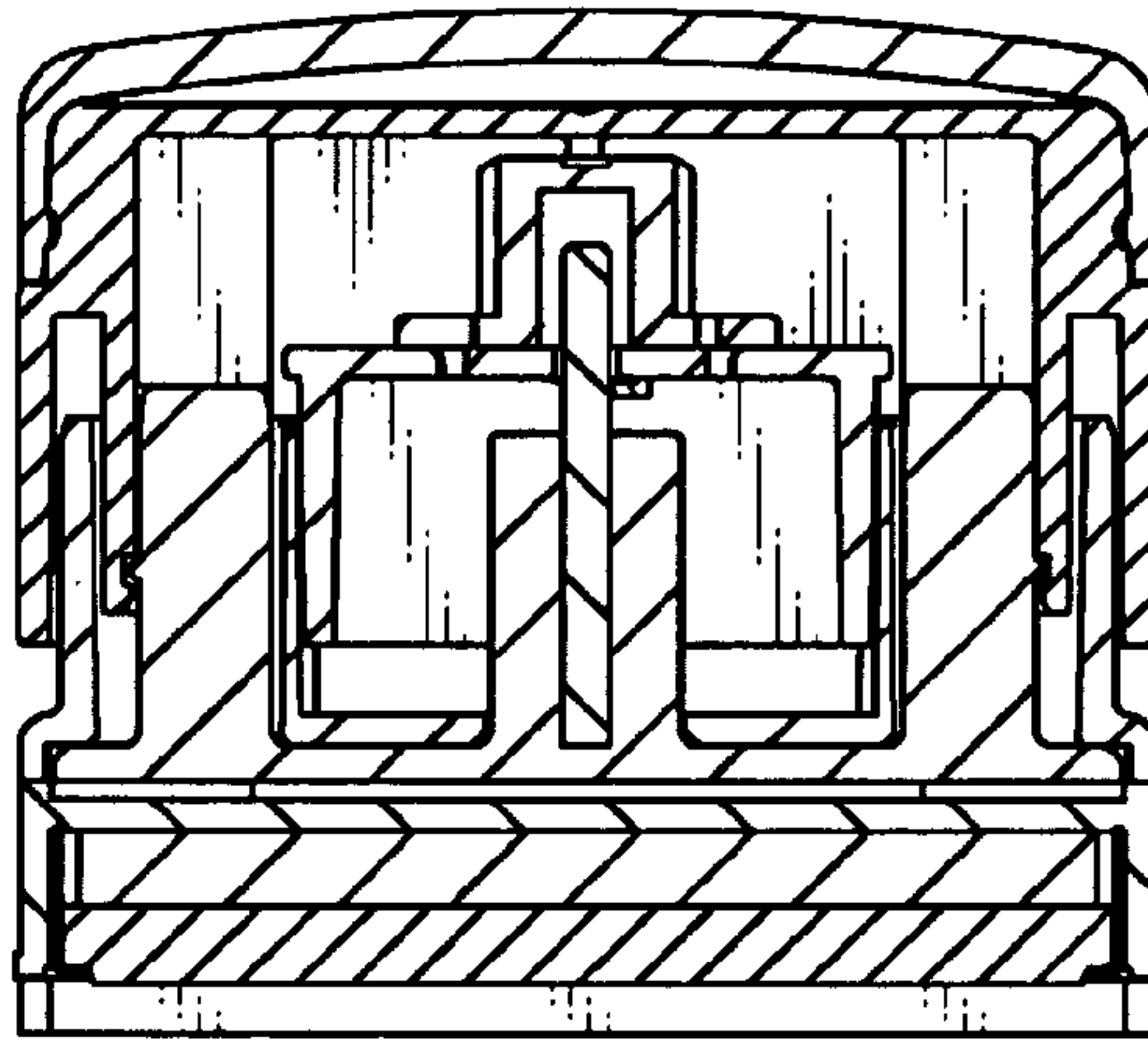


FIG. 8

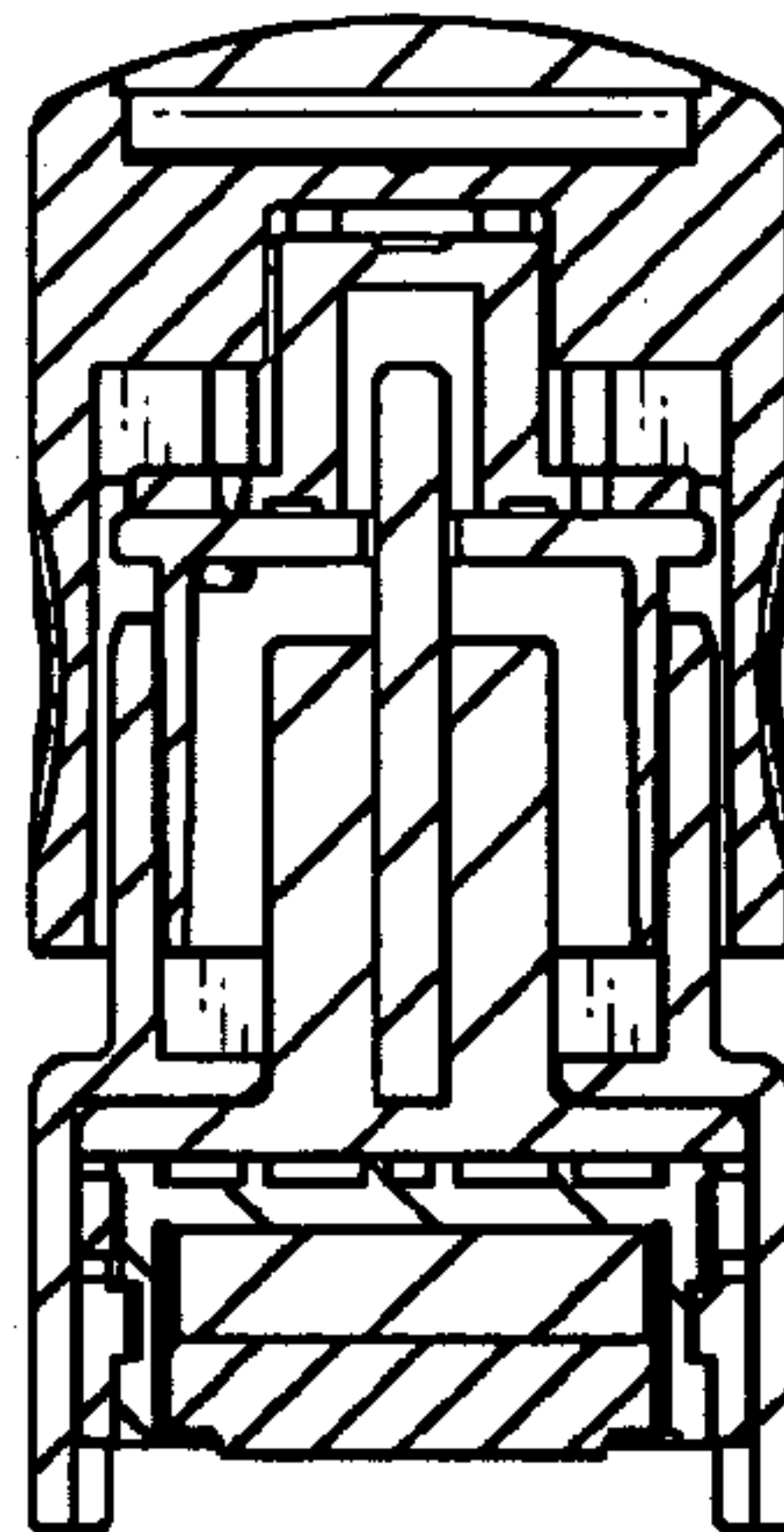


FIG. 9

