



US00D607486S

(12) **United States Design Patent**
Kwak

(10) **Patent No.:** **US D607,486 S**

(45) **Date of Patent:** **** Jan. 5, 2010**

(54) **MP3 VIOLIN**

D551,695 S * 9/2007 Gage D17/14
D576,664 S * 9/2008 Tsai D17/17

(76) Inventor: **Bong Yeol Kwak**, 5-37-2, Honcho
Nakanoku, Tokyo (JP)

* cited by examiner

(**) Term: **14 Years**

Primary Examiner—Stella M Reid

Assistant Examiner—R. Johnson

(21) Appl. No.: **29/336,913**

(74) *Attorney, Agent, or Firm*—John K. Park; Park Law Firm

(22) Filed: **May 12, 2009**

(57) **CLAIM**

(51) **LOC (9) Cl.** **17-03**

The ornamental design for a MP3 violin, as shown and described.

(52) **U.S. Cl.** **D17/17**

(58) **Field of Classification Search** D17/14,
D17/17, 18, 19; 84/7, 9, 274, 275, 290–293
See application file for complete search history.

DESCRIPTION

(56) **References Cited**

FIG. 1 is a perspective view of a MP3 violin showing my new design;

FIG. 2 is a front view thereof;

FIG. 3 is a rear view thereof;

FIG. 4 is a side view thereof;

FIG. 5 is another side view thereof;

FIG. 6 is a top plan view thereof; and,

FIG. 7 is a bottom plan view thereof.

The broken line showing of environment is for illustrative purposes only and forms no part of the claimed design.

U.S. PATENT DOCUMENTS

D256,369 S *	8/1980	Leach	D17/17
D288,937 S *	3/1987	Barrett	D17/17
4,679,481 A *	7/1987	Lozon	84/309
5,191,159 A *	3/1993	Jordan	84/274
D385,901 S *	11/1997	Wong	D17/20
D393,868 S *	4/1998	Welling	D17/17
D403,013 S *	12/1998	Honda	D17/17
D419,587 S *	1/2000	Okamura	D17/14
D441,004 S *	4/2001	Kondo	D17/14
D478,611 S *	8/2003	Nakajima	D17/14

1 Claim, 4 Drawing Sheets

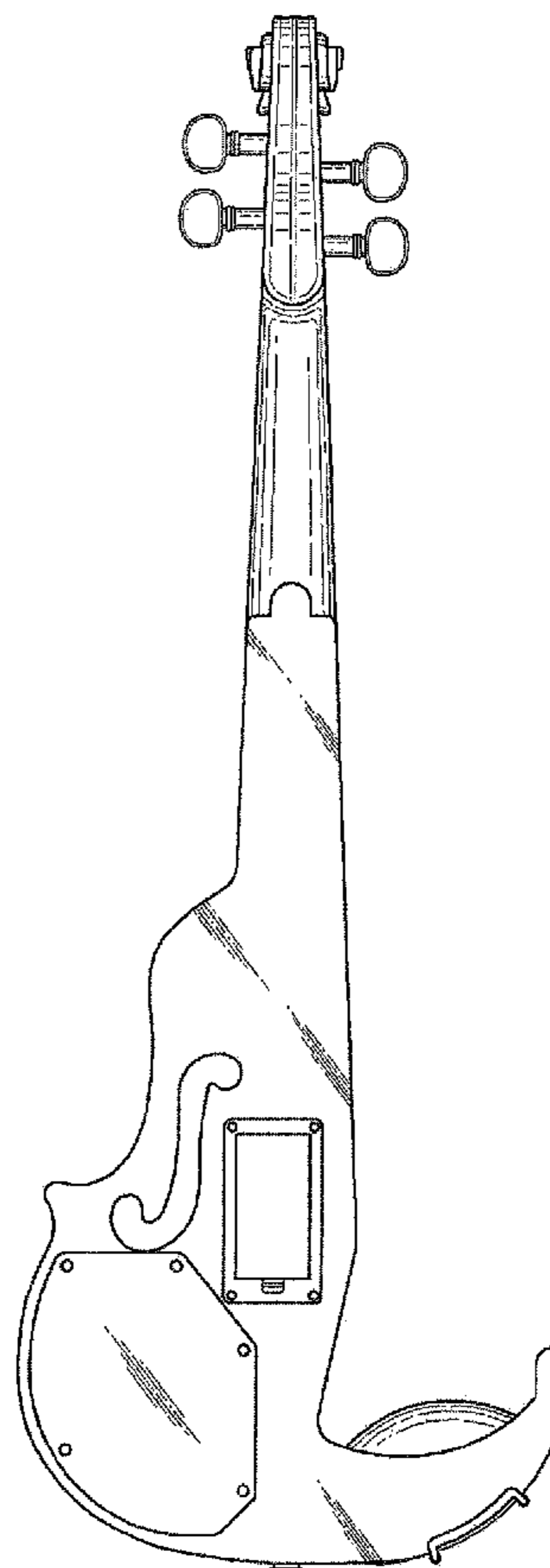
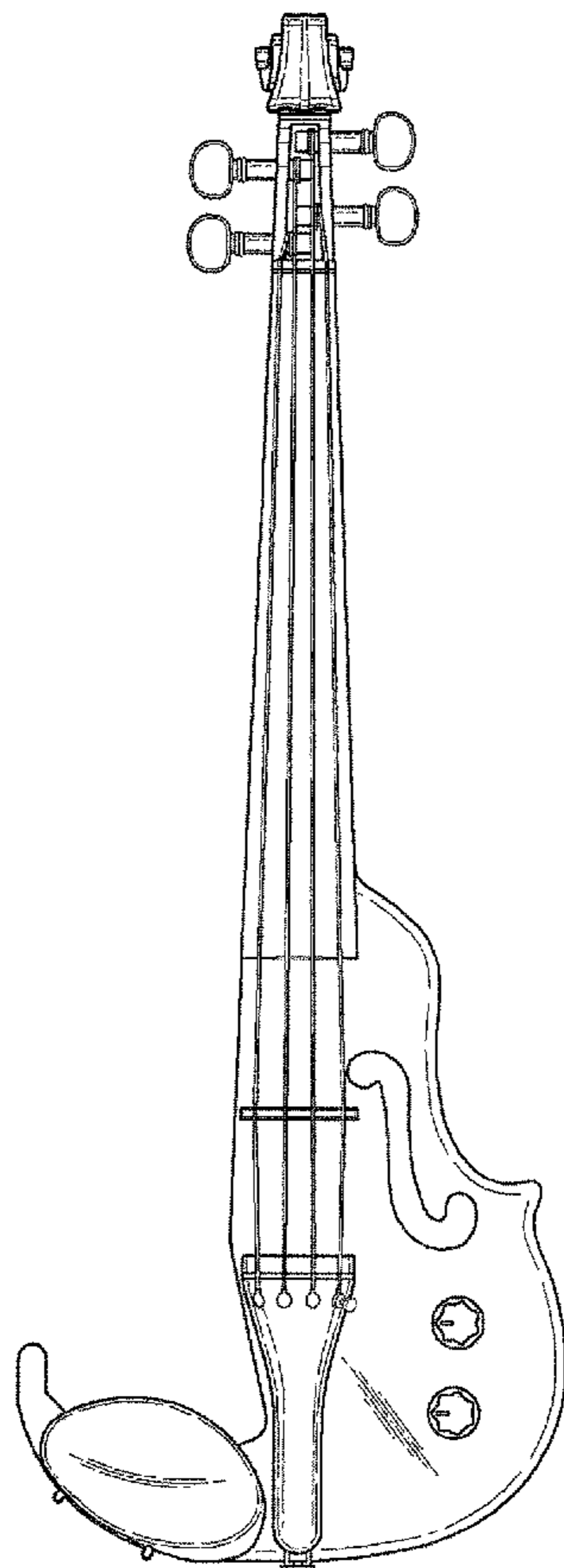


FIG. 1

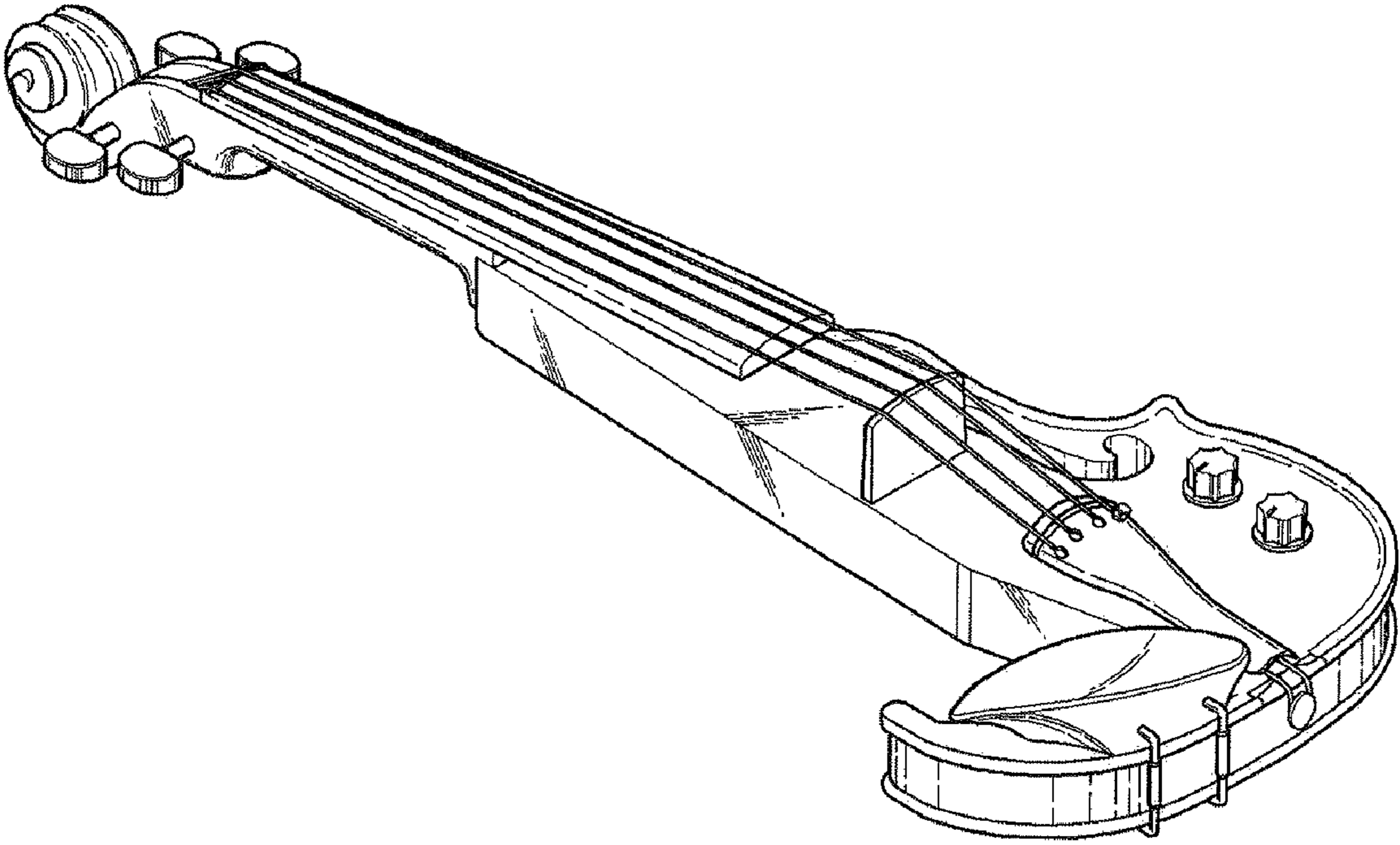


FIG. 2

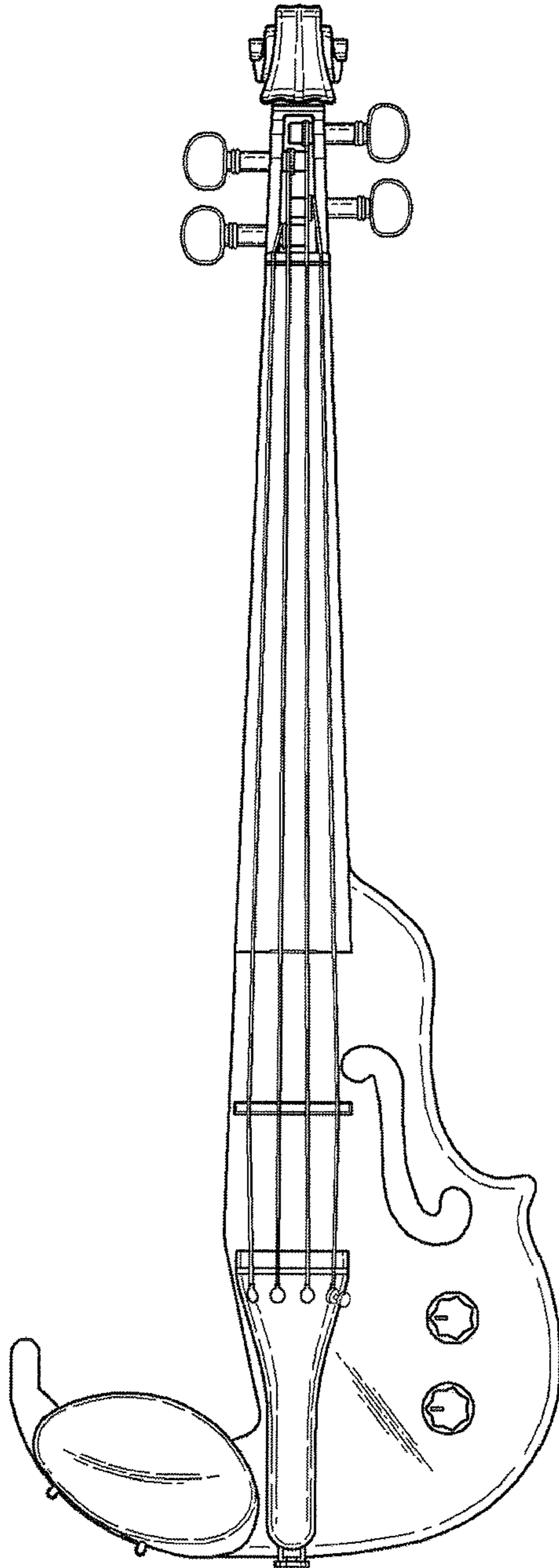


FIG. 3

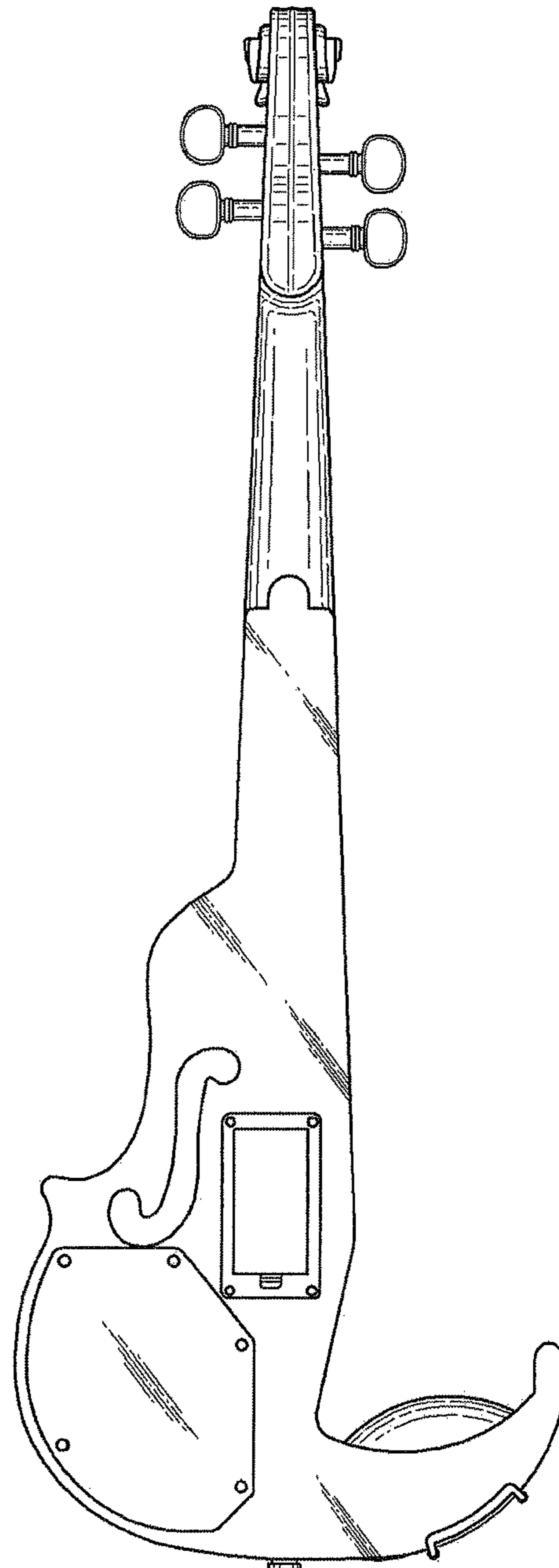


FIG. 4

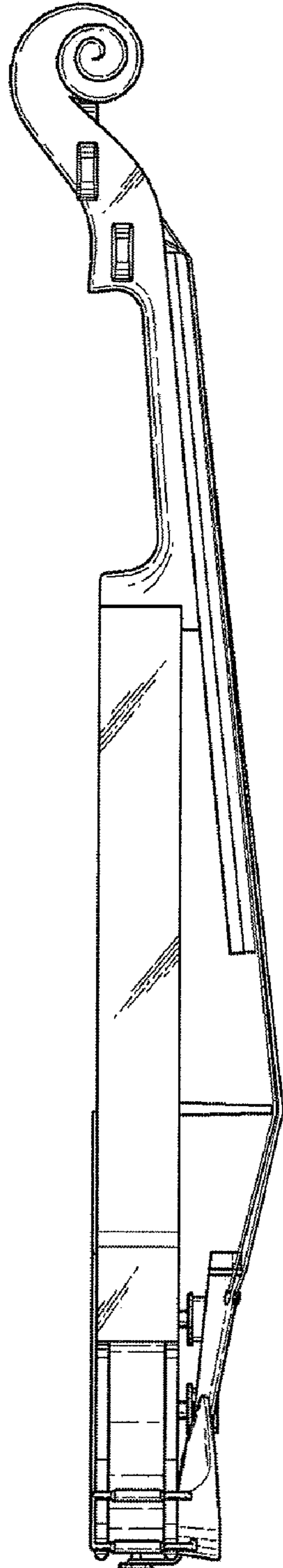


FIG. 5

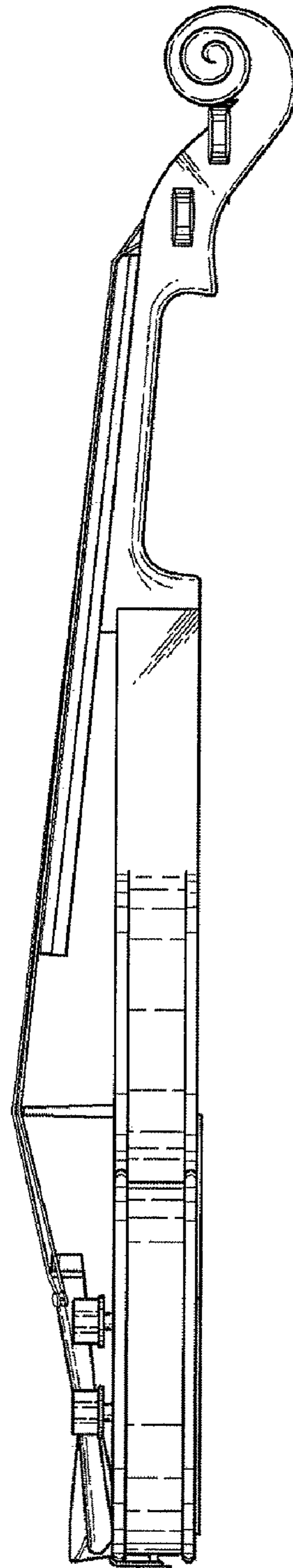


FIG. 6

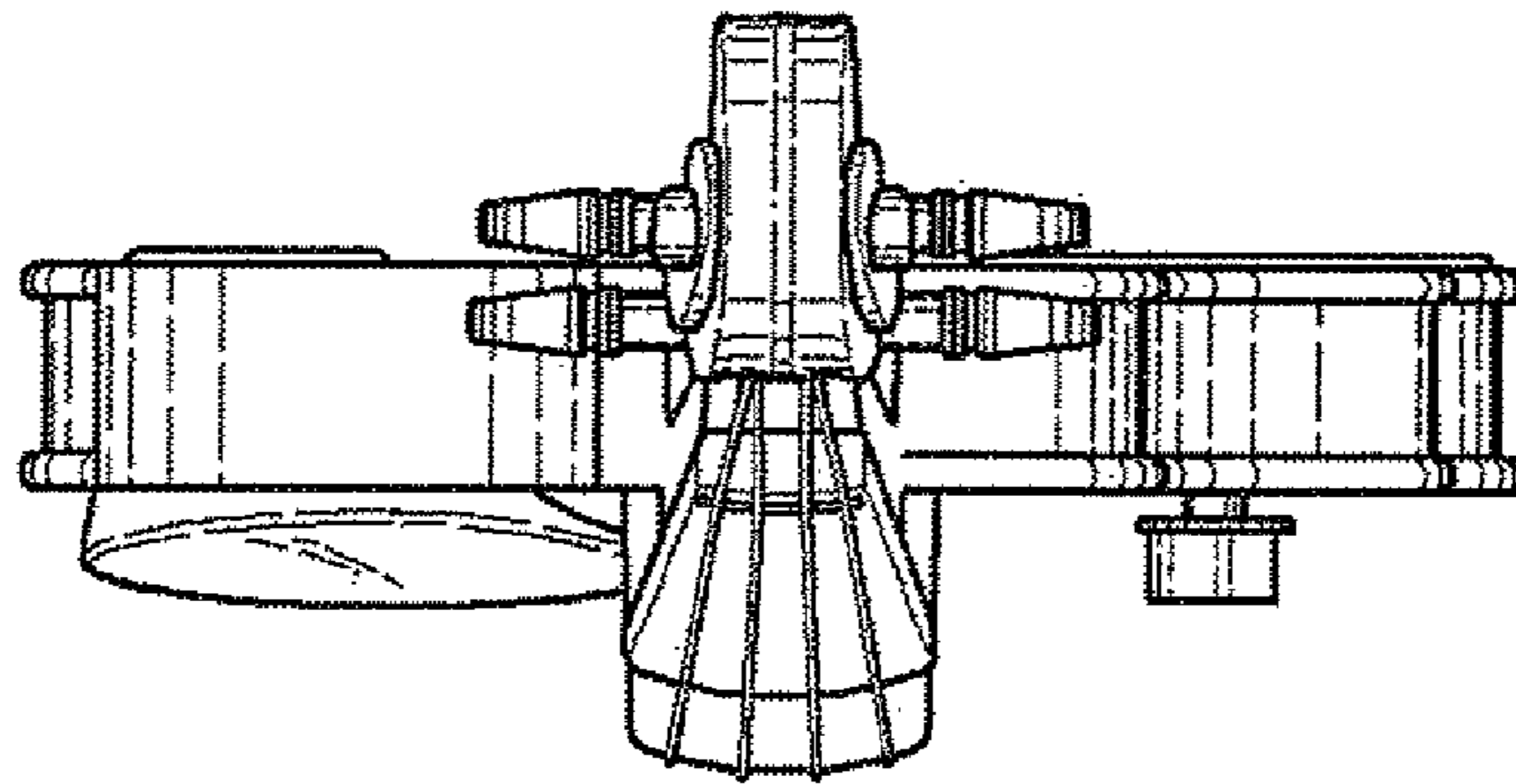


FIG. 7

