



US00D607480S

(12) **United States Design Patent**
Nakajima

(10) **Patent No.:** **US D607,480 S**
(45) **Date of Patent:** **** Jan. 5, 2010**

(54) **DIGITAL CAMERA**

7,507,041 B2 * 3/2009 Ueda et al. 348/375

(75) Inventor: **Kenzo Nakajima**, Musashino (JP)

* cited by examiner

(73) Assignee: **Olympus Imaging Corp.**, Tokyo (JP)

Primary Examiner—Adir Aronovich
(74) *Attorney, Agent, or Firm*—Frishauf, Holtz, Goodman & Chick, P.C.

(**) Term: **14 Years**

(21) Appl. No.: **29/325,287**

(57) **CLAIM**

(22) Filed: **Sep. 29, 2008**

The ornamental design for a digital camera, as shown and described.

(30) **Foreign Application Priority Data**

Aug. 7, 2008 (JP) 2008-020520

DESCRIPTION

(51) **LOC (9) Cl.** **16-01**

FIG. 1 is front, top and right side perspective view of a digital camera with a lens cover in an open position;

(52) **U.S. Cl.** **D16/212; D16/202**

FIG. 2 is a front elevational view thereof, with the lens cover in an open position;

(58) **Field of Classification Search** D16/200–204,
D16/208, 218, 219; 348/373–376; 358/909.1;
396/349, 448, 535–541

FIG. 3 is a rear elevational view thereof;

See application file for complete search history.

FIG. 4 is a top plan view thereof;

FIG. 5 is a bottom plan view thereof;

(56) **References Cited**

U.S. PATENT DOCUMENTS

D542,322 S * 5/2007 Miyashita D16/218
D559,294 S * 1/2008 Hibi D16/212
D570,391 S * 6/2008 Hibi D16/212
D570,889 S * 6/2008 Nakajima D16/202
D572,285 S * 7/2008 Kuroda D16/202

FIG. 6 is a right side elevational view thereof;

FIG. 7 is a left side elevational view thereof; and,

FIG. 8 is a front elevational view thereof, with the lens cover in a closed position.

1 Claim, 5 Drawing Sheets

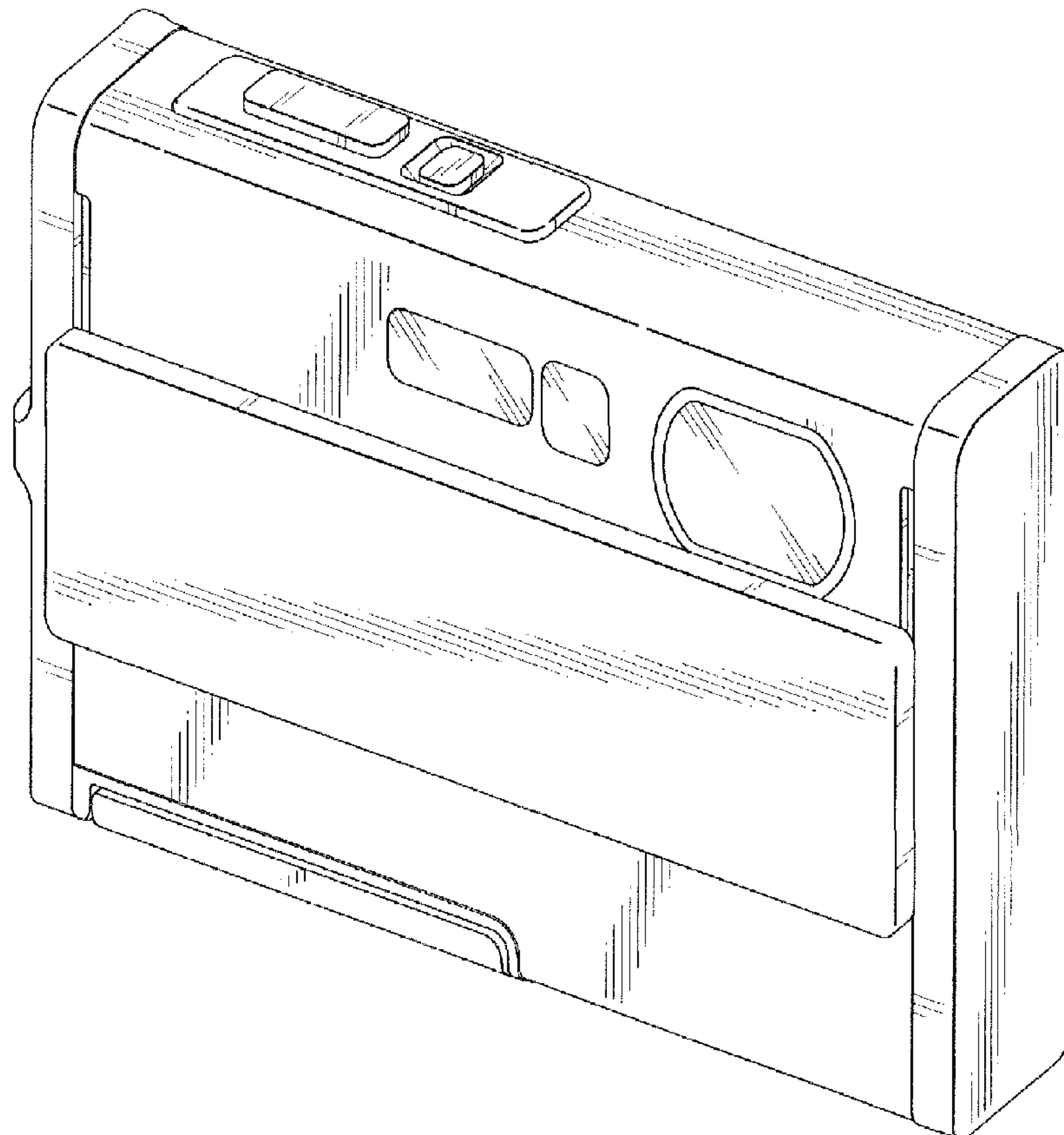


FIG. 1

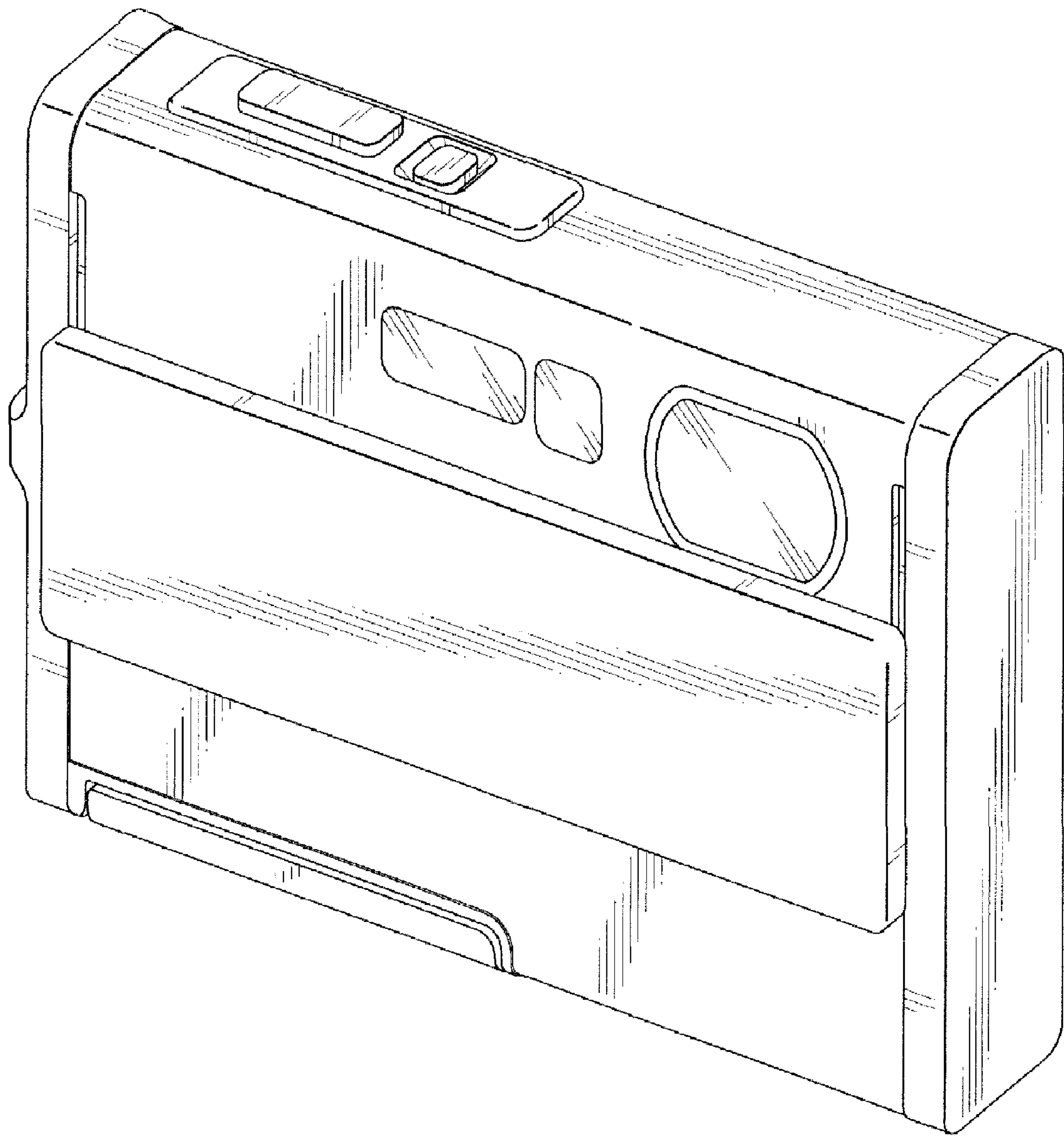


FIG.2

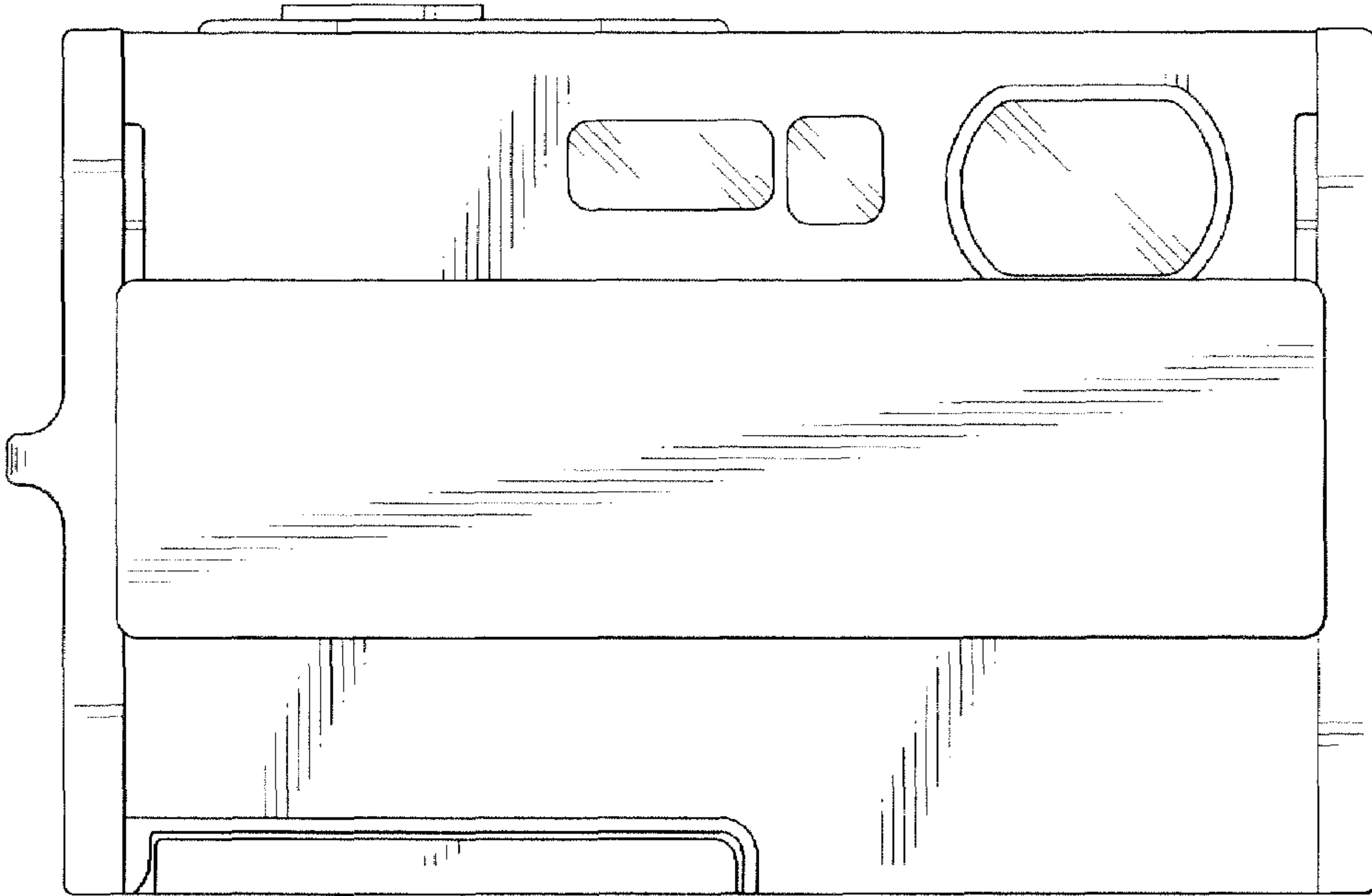


FIG.3

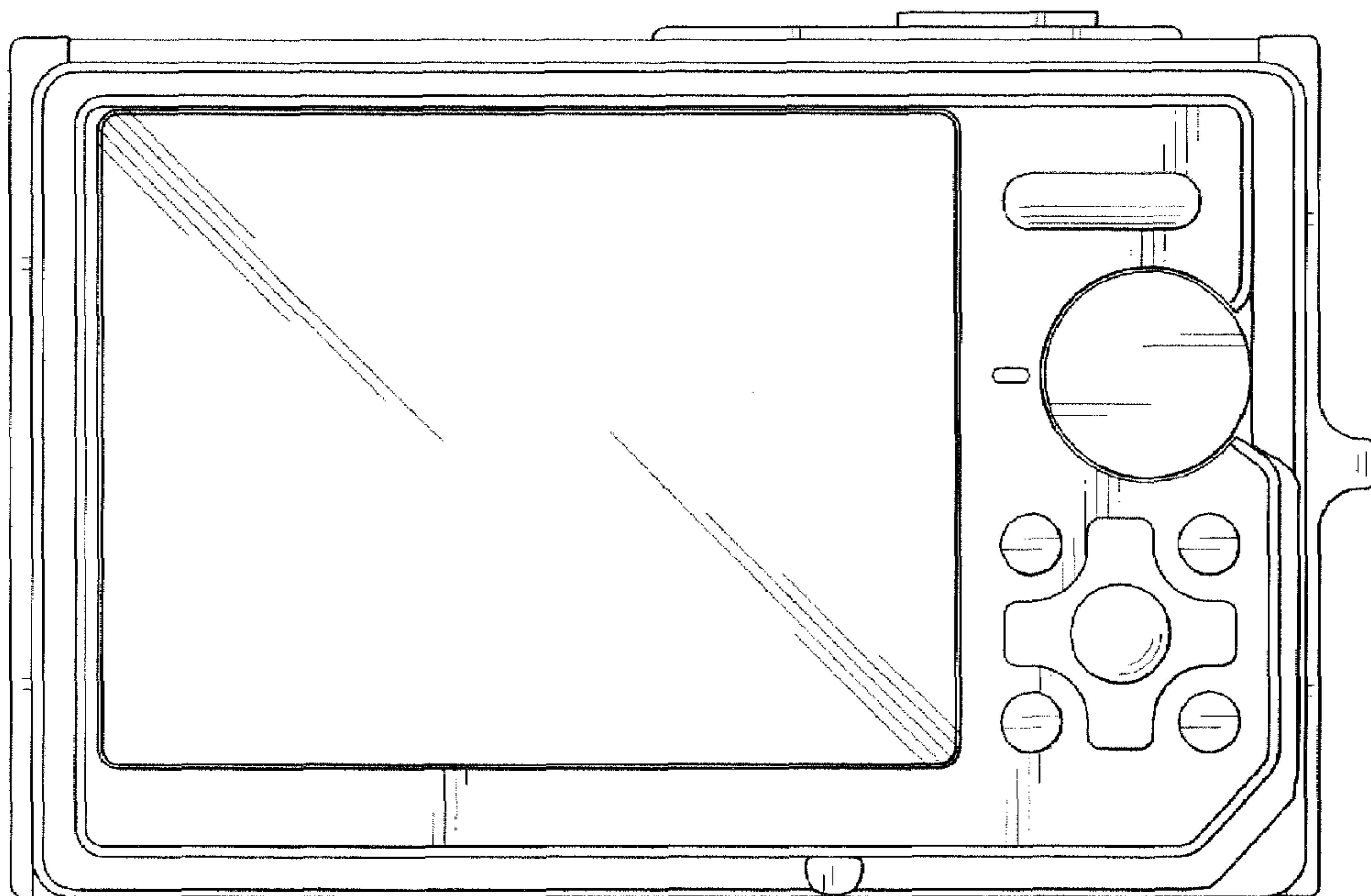


FIG.4

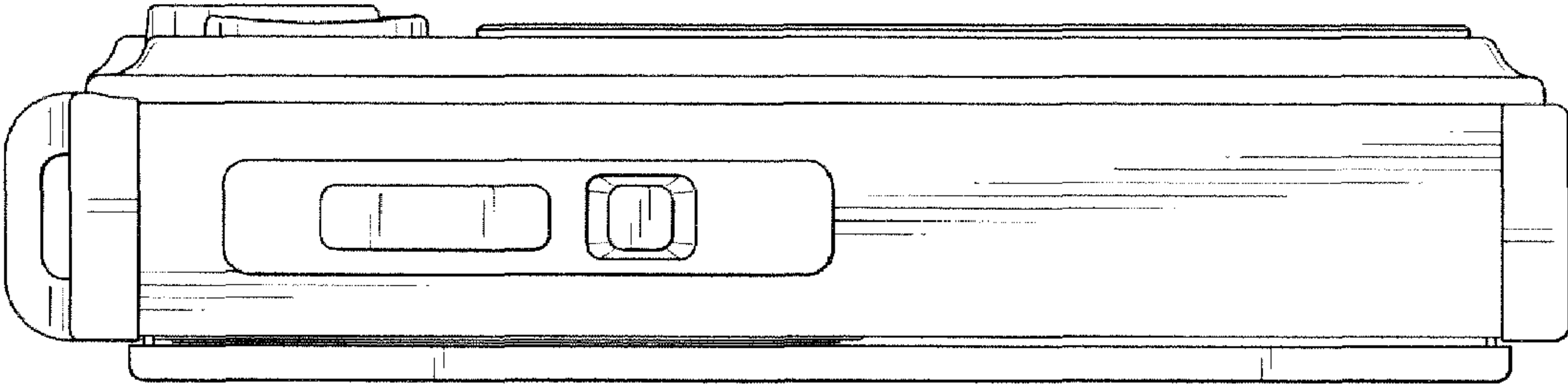


FIG.5

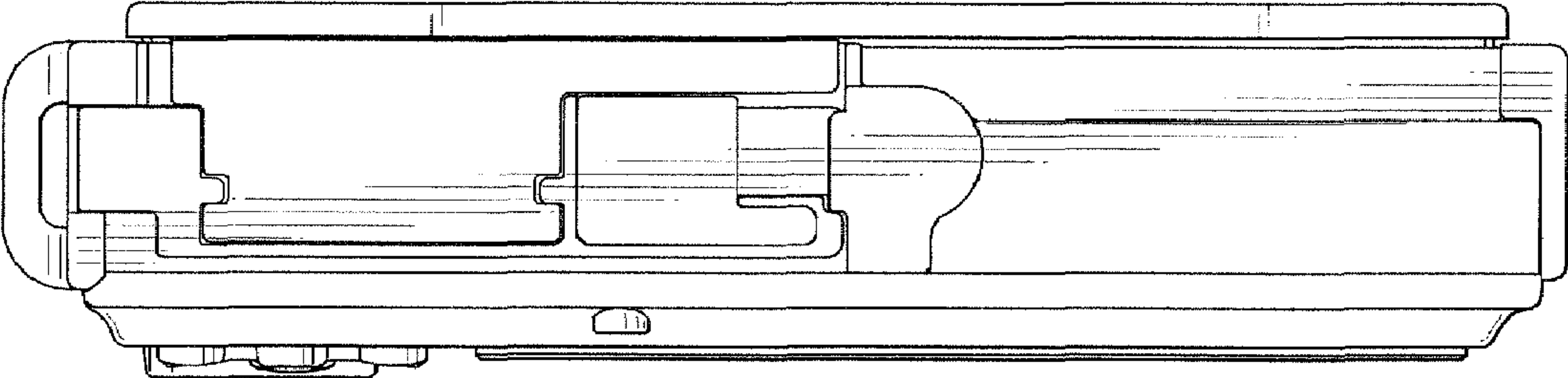


FIG.6

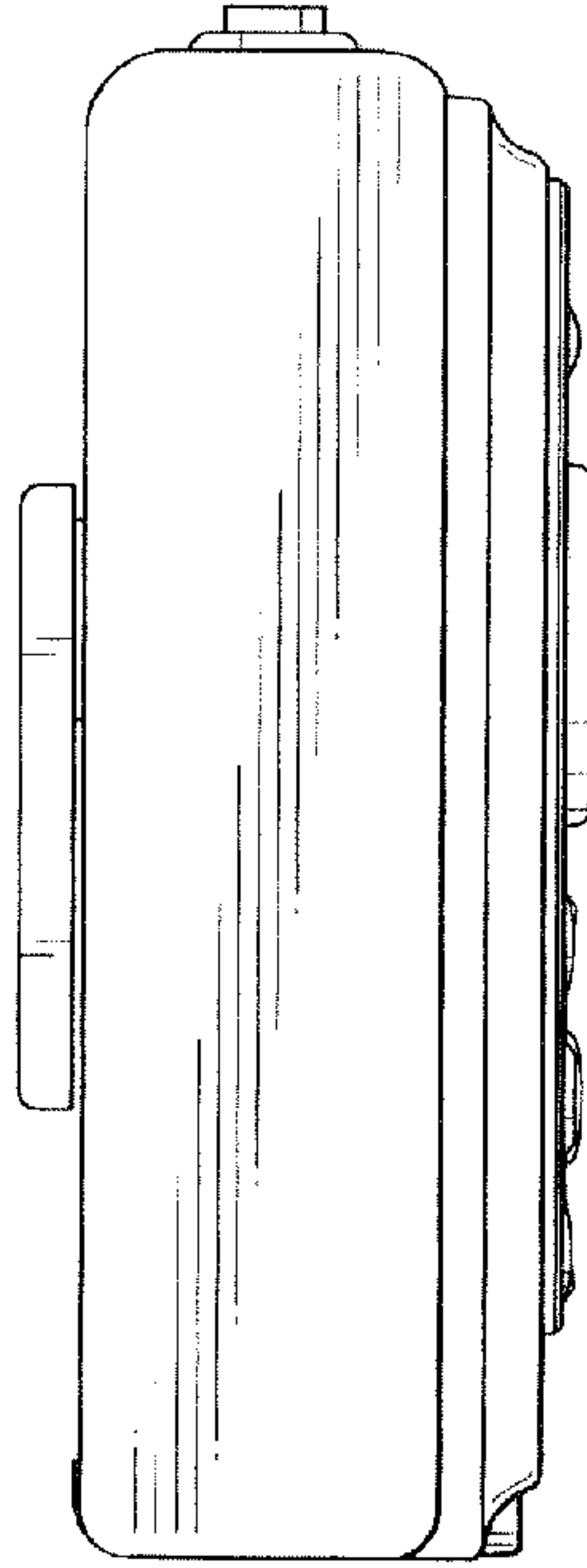


FIG.7

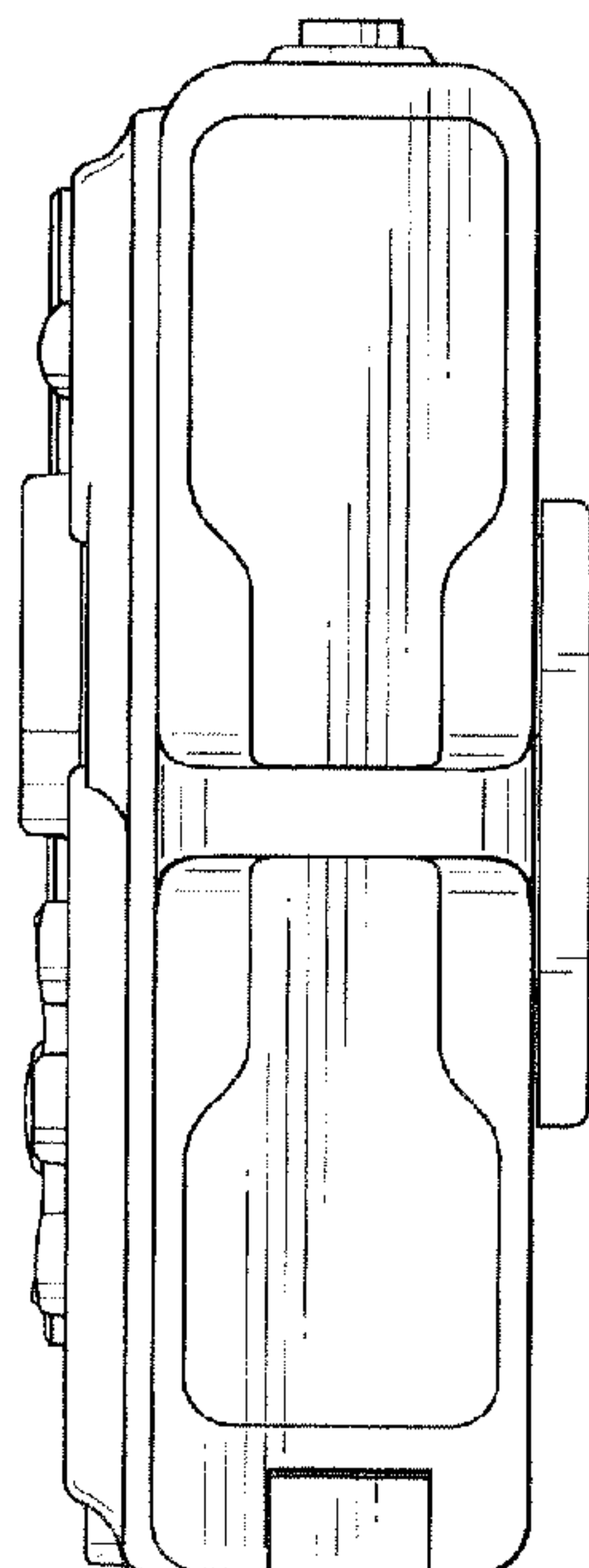


FIG.8

