



US00D607479S

(12) **United States Design Patent**  
**Yu**

(10) **Patent No.:** **US D607,479 S**  
(45) **Date of Patent:** **\*\* Jan. 5, 2010**

(54) **VIDEO CAMERA**

(75) Inventor: **Tzu Chiang Yu**, Taipei (TW)

(73) Assignee: **DXG Technology Corp.**, Taipei (TW)

(\*\*) Term: **14 Years**

(21) Appl. No.: **29/327,612**

(22) Filed: **Nov. 10, 2008**

(51) **LOC (9) Cl.** ..... **16-01**

(52) **U.S. Cl.** ..... **D16/202**

(58) **Field of Classification Search** ..... D16/200–204,  
D16/208, 218; 348/373–376; 358/909.1;  
396/535–541

See application file for complete search history.

(56) **References Cited**

**U.S. PATENT DOCUMENTS**

D472,258 S *	3/2003	Yin et al.	.....	D16/218
6,683,653 B1 *	1/2004	Miyake et al.	.....	348/373
D491,592 S *	6/2004	Fang	.....	D16/202
D527,403 S *	8/2006	Byun et al.	.....	D16/202
D527,754 S *	9/2006	Chou	.....	D16/202

D542,820 S *	5/2007	Depay	.....	D16/202
D591,321 S *	4/2009	Sheppard et al.	.....	D16/202
D594,047 S *	6/2009	Lee	.....	D16/203

\* cited by examiner

*Primary Examiner*—Adir Aronovich

(74) *Attorney, Agent, or Firm*—Rabin & Berdo, P.C.

(57) **CLAIM**

The ornamental design for a video camera, as shown and described.

**DESCRIPTION**

FIG. 1 is a top, front and right side perspective view of a video camera showing my new design;

FIG. 2 is a front elevational view thereof;

FIG. 3 is a rear elevational view thereof;

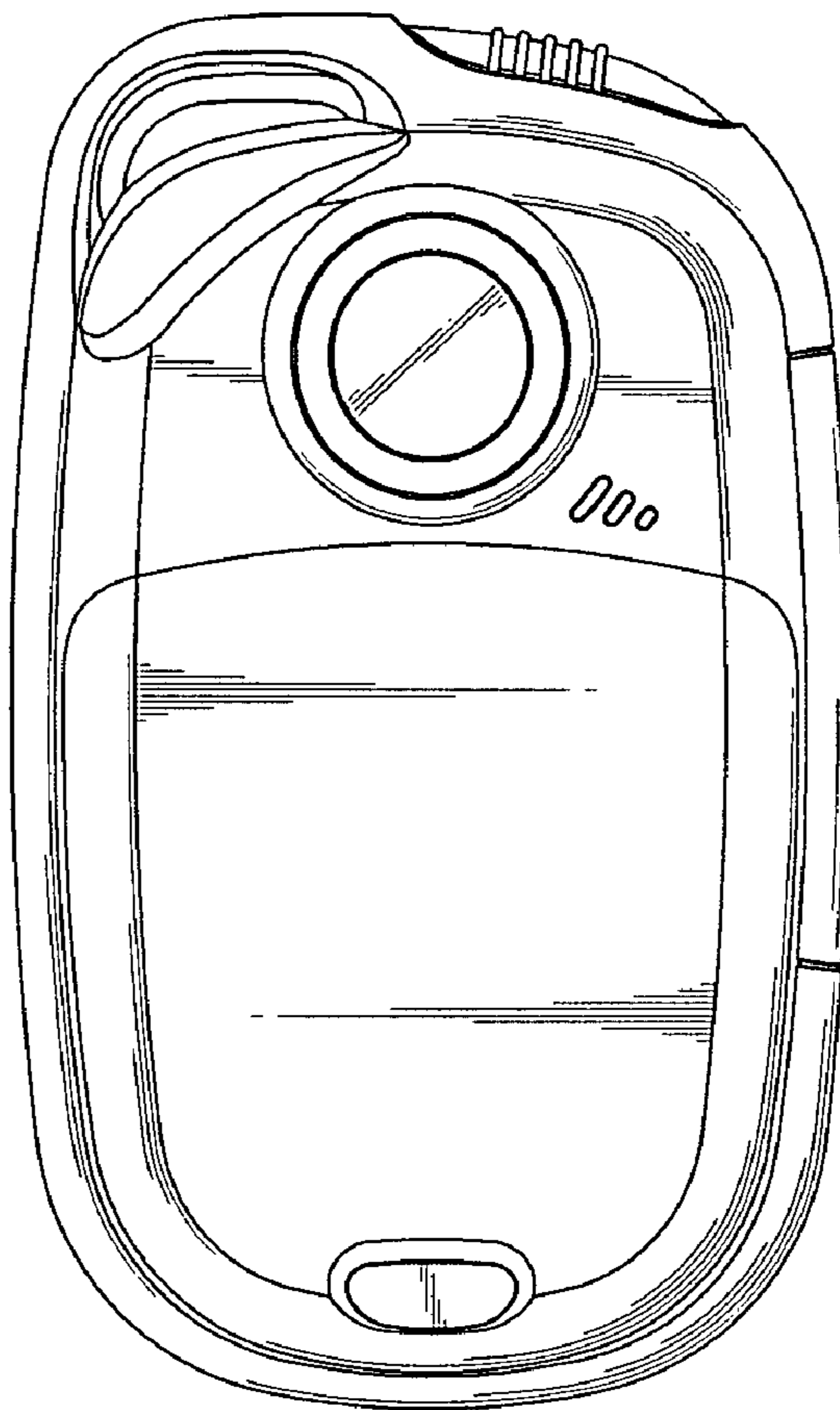
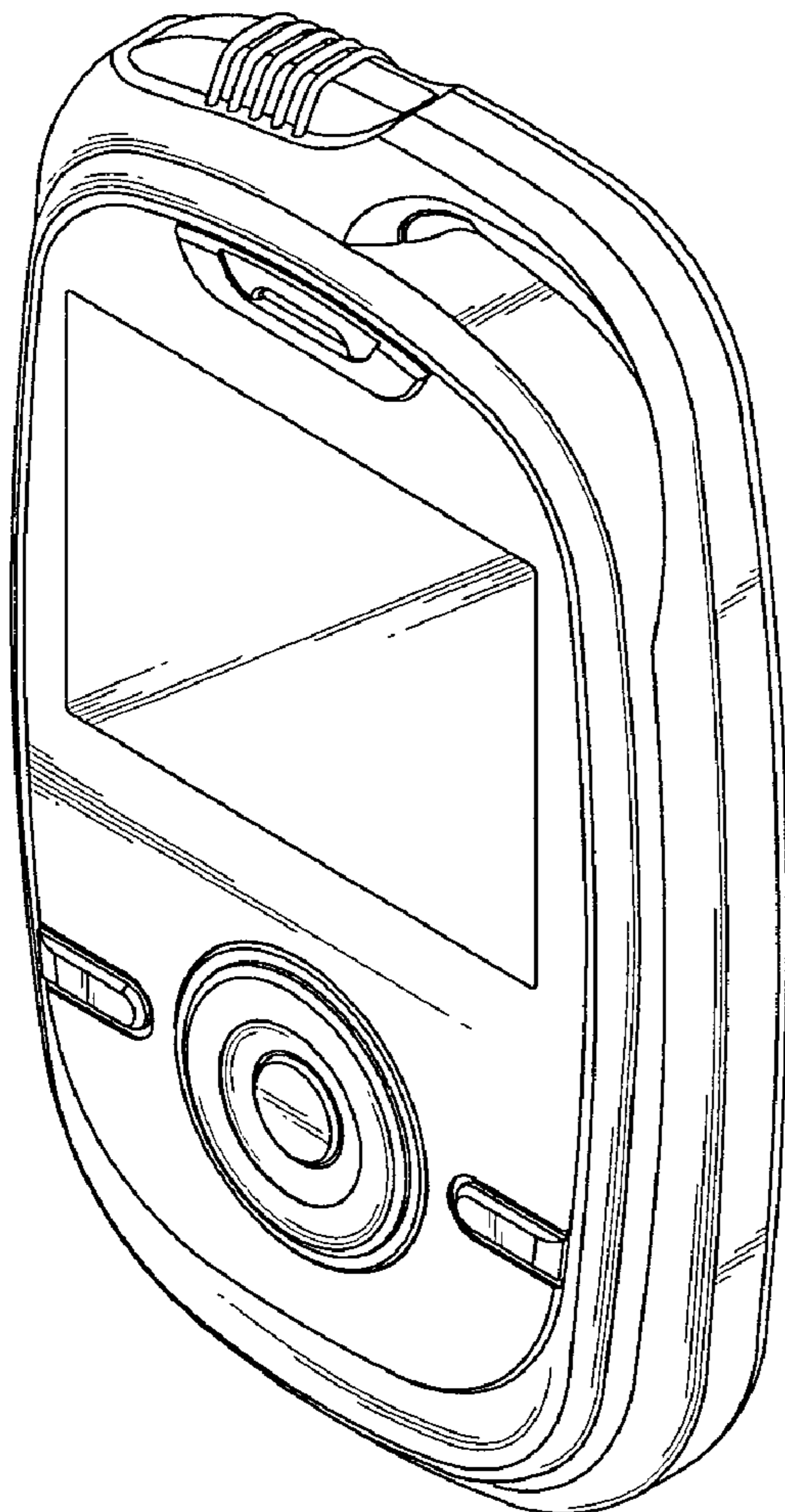
FIG. 4 is right side elevational view thereof;

FIG. 5 is a left side elevational view thereof;

FIG. 6 is a bottom plan view thereof; and,

FIG. 7 is a top plan view thereof.

**1 Claim, 7 Drawing Sheets**



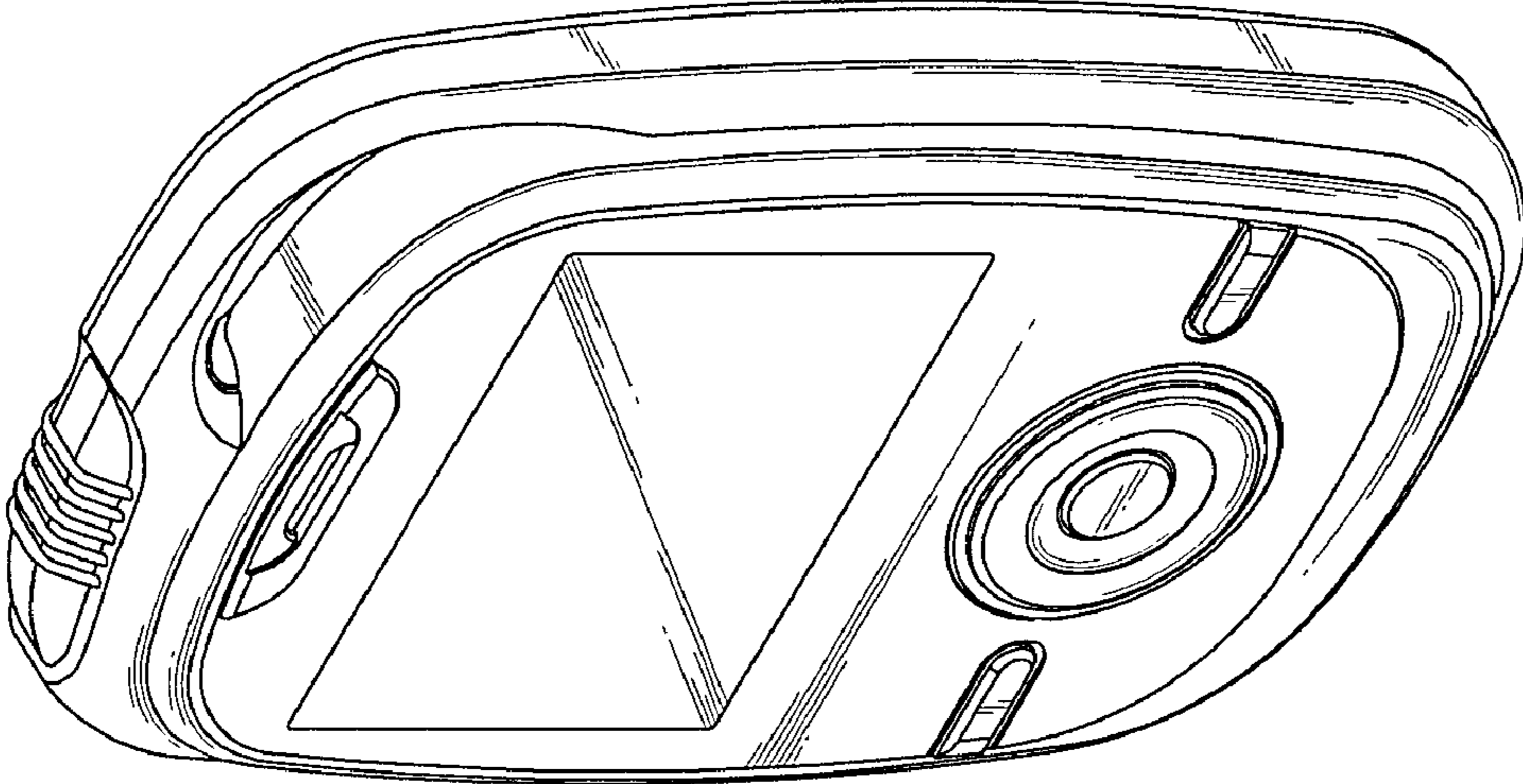


Fig.1

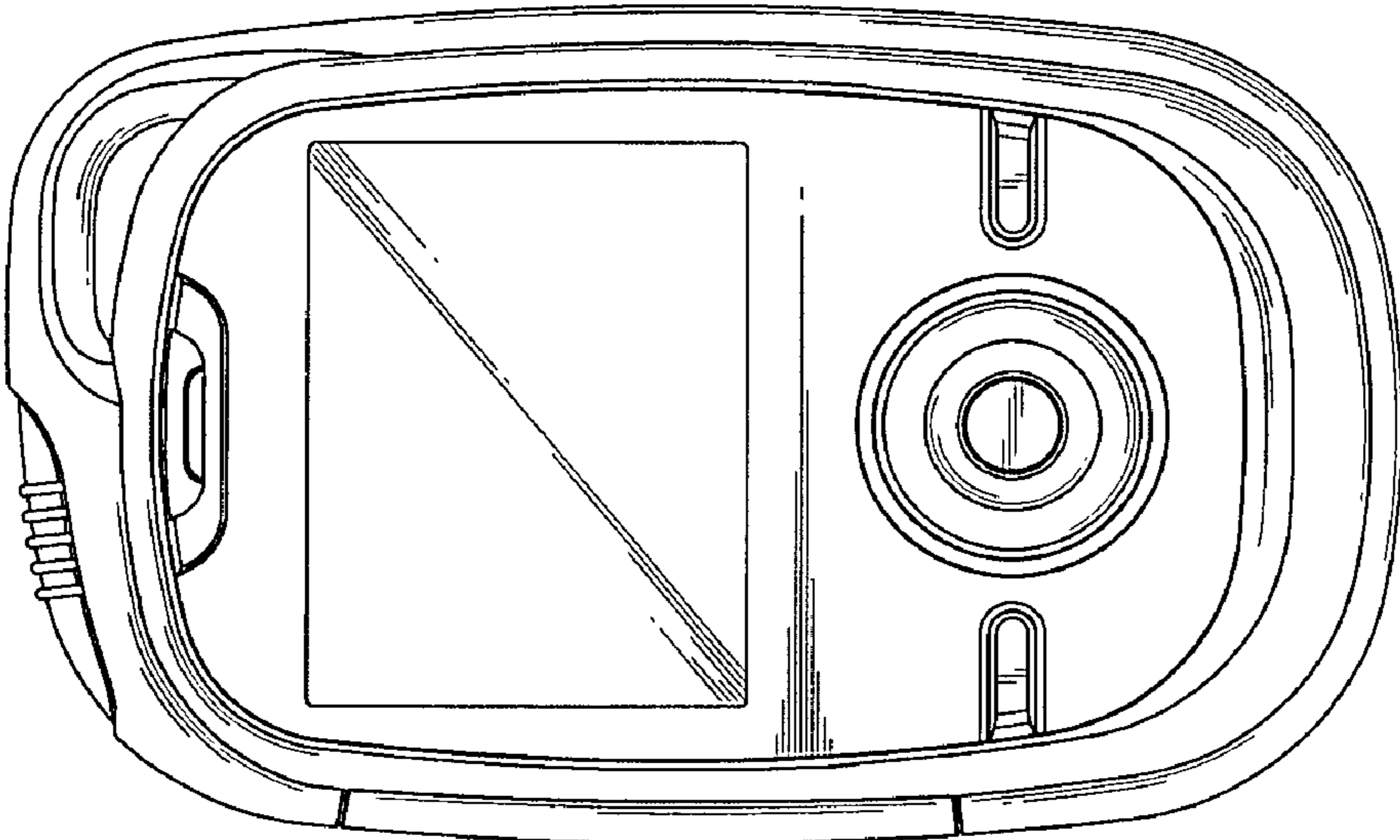


Fig.2

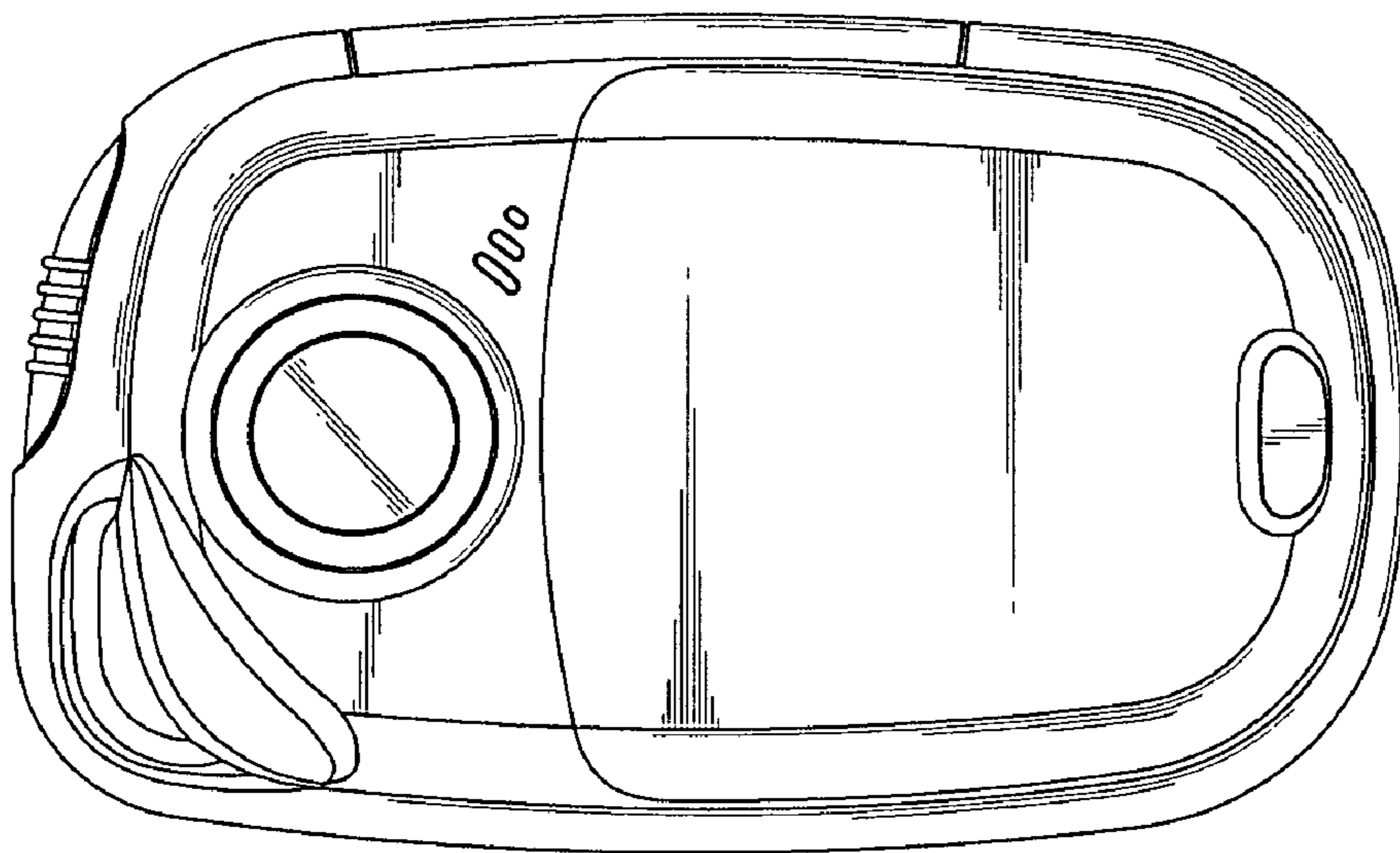


Fig.3

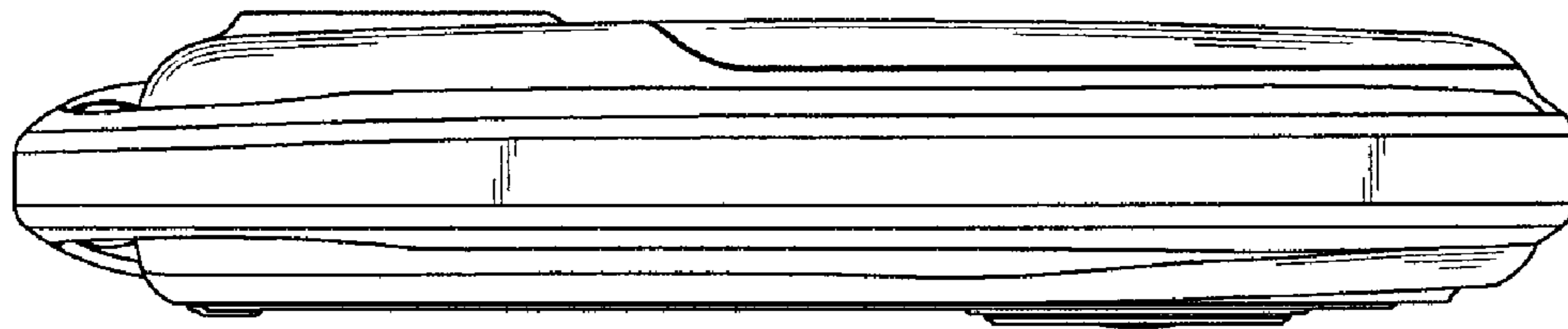


Fig.4

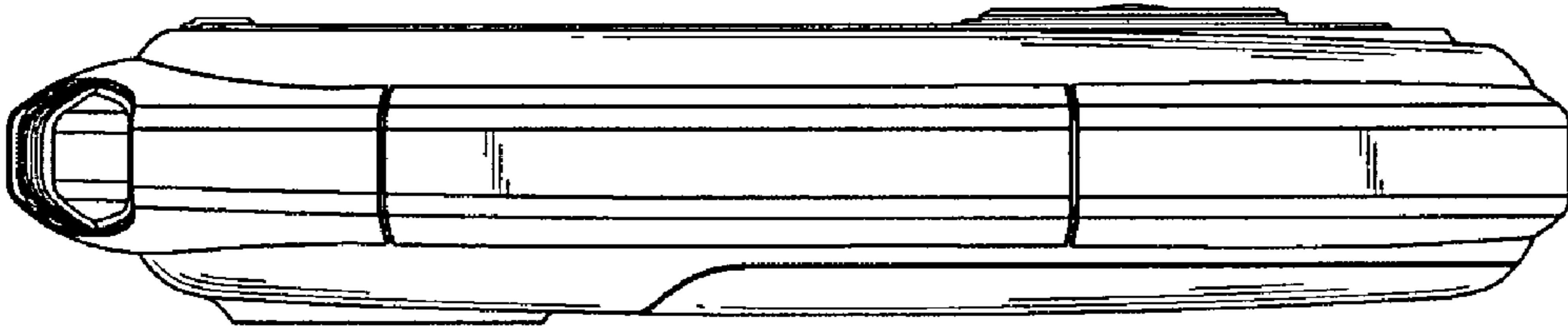


Fig.5

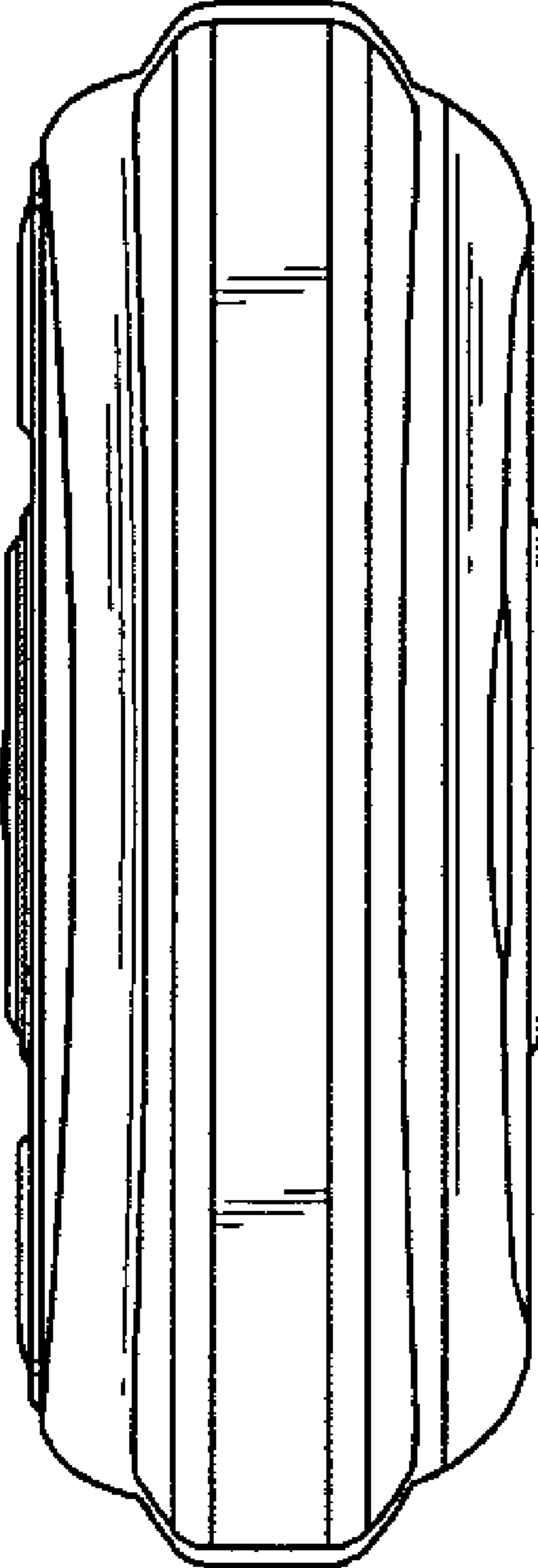


Fig.6

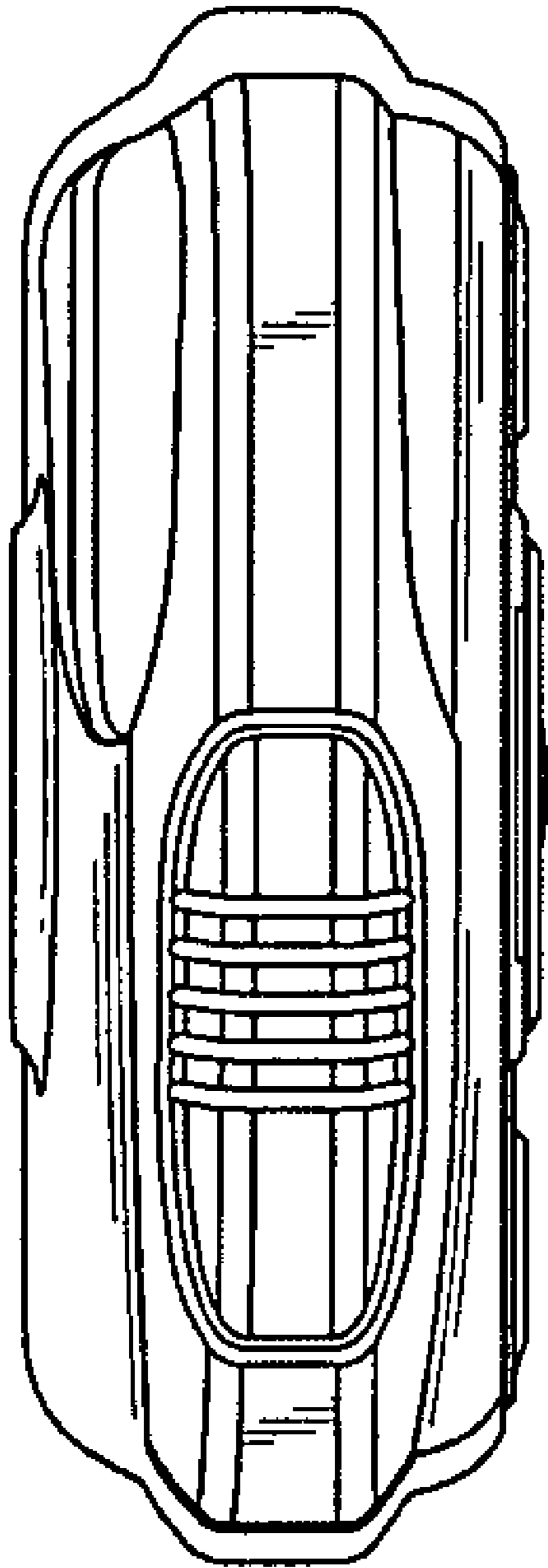


Fig. 7