



US00D607476S

(12) **United States Design Patent**
Saul

(10) **Patent No.:** **US D607,476 S**
(45) **Date of Patent:** **** Jan. 5, 2010**

(54) **IN-LINE MIXER**

(75) Inventor: **Garth H. Saul**, Faribault, MN (US)

(73) Assignee: **Johnson Screens (Australia) Pty. Ltd.**,
Geebung (AU)

(**) Term: **14 Years**

(21) Appl. No.: **29/339,675**

(22) Filed: **Jul. 6, 2009**

(51) **LOC (9) Cl.** **15-09**

(52) **U.S. Cl.** **D15/138**

(58) **Field of Classification Search** D15/138,
D15/139, 140; D23/200; D24/220; 7/379;
222/145.6; 366/181.5, 220, 222, 225, 230,
366/318, 320, 336, 337, 339, 602
See application file for complete search history.

(56) **References Cited**

U.S. PATENT DOCUMENTS

735,206	A *	8/1903	Burrows	366/102
3,923,288	A *	12/1975	King	366/336
4,034,965	A *	7/1977	King	366/336
4,801,008	A	1/1989	Rich		
4,969,747	A	11/1990	Colin et al.		
5,386,928	A	2/1995	Blette		
5,722,829	A	3/1998	Wilcox et al.		
5,893,486	A	4/1999	Wasmire		
6,062,722	A	5/2000	Lake		
6,365,080	B1	4/2002	Parise		
6,623,155	B1 *	9/2003	Baron	366/181.5
6,837,399	B1 *	1/2005	Wagner et al.	222/145.6
6,899,453	B2 *	5/2005	Koch et al.	366/174.1
7,066,724	B2	6/2006	Danules et al.		
7,105,113	B2	9/2006	Danules et al.		
2008/0013401	A1 *	1/2008	Tarmann et al.	366/174.1
2008/0087683	A1 *	4/2008	Wagner et al.	222/145.6
2008/0232191	A1 *	9/2008	Keller	366/339
2009/0122638	A1 *	5/2009	Sato et al.	366/339

OTHER PUBLICATIONS

Devcon, "Static Mixing Nozzles for Epoxy and Methacrylate Adhesives," obtained from <http://www.markindpendepot.com>, generated Jul. 6, 2009.

* cited by examiner

Primary Examiner—Sandra Snapp
Assistant Examiner—Patricia Palasik

(74) *Attorney, Agent, or Firm*—Wong, Cabello, Lutsch
Rutherford & Bruculeri LLP

(57) **CLAIM**

The ornamental design for an in-line mixer, as shown and described.

DESCRIPTION

FIG. 1 is a perspective view of an in-line mixer showing my new design, as viewed from a first end thereof.

FIG. 2 is another perspective view of the in-line mixer, as viewed from a second end thereof.

FIG. 3 is a first side view of the in-line mixer.

FIG. 4 is a second side view of the in-line mixer that is 90-degrees to the first side view in FIG. 3.

FIG. 5 is a third side view of the in-line mixer that is 90-degrees to the second side view in FIG. 4.

FIG. 6 is a fourth side view of the in-line mixer that is 90-degrees to the third side view in FIG. 5.

FIG. 7 is an end view of the first end of the in-line mixer.

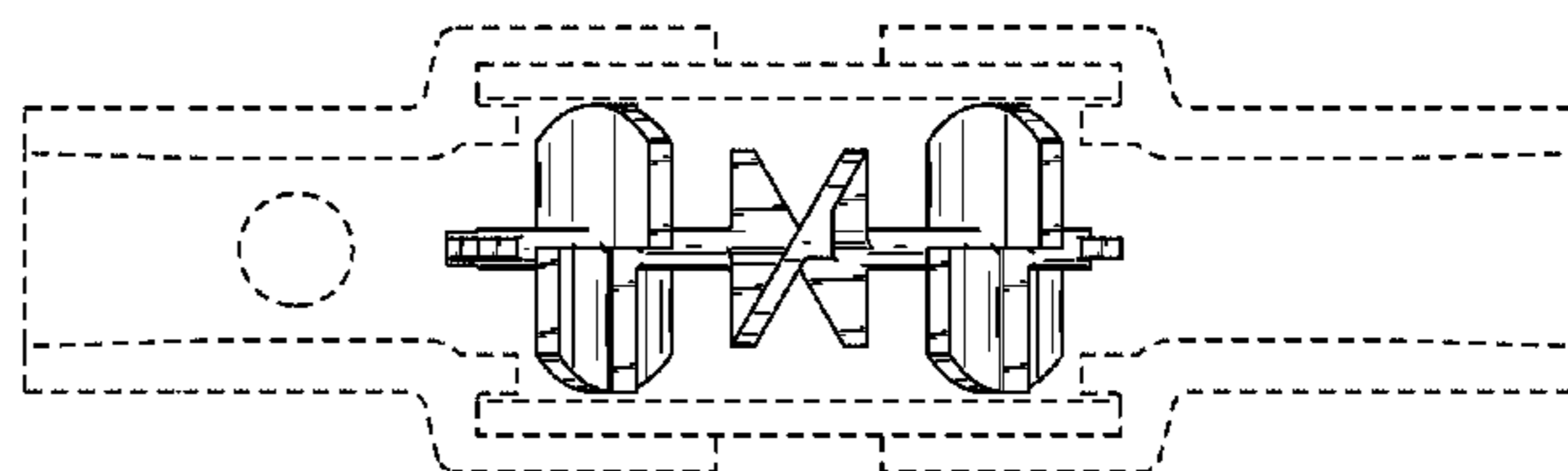
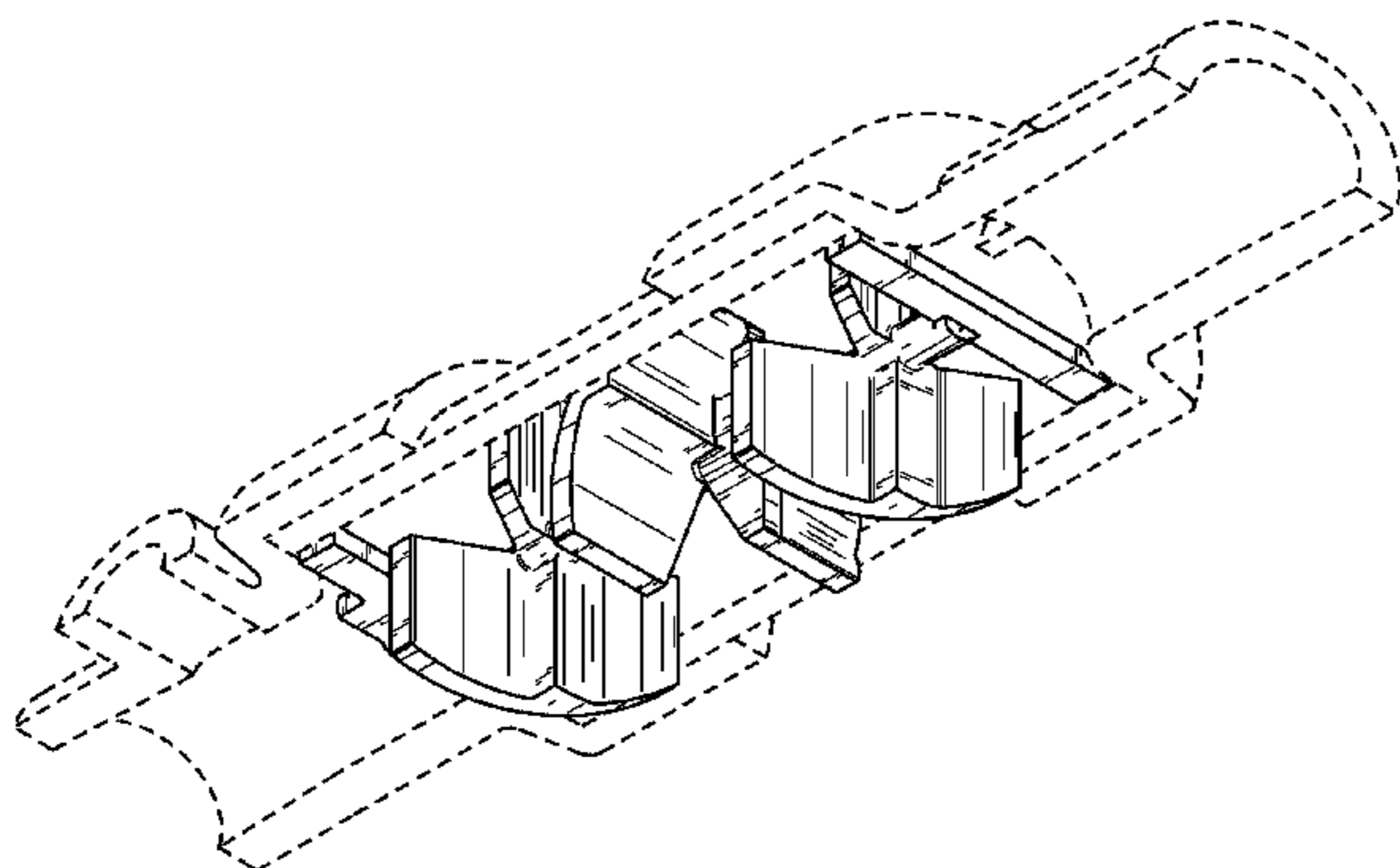
FIG. 8 is an end view of the second end of the in-line mixer.

FIG. 9 is the perspective view of the in-line mixer in FIG. 2 having environmental structure depicted in cross-section; and,

FIG. 10 shows the first side view of the in-line mixer in FIG. 3 having environmental structure depicted in cross-section.

The broken line showing of environmental structure in FIGS. 9 and 10 is for illustrative purposes only and forms no part of the claimed design.

1 Claim, 5 Drawing Sheets



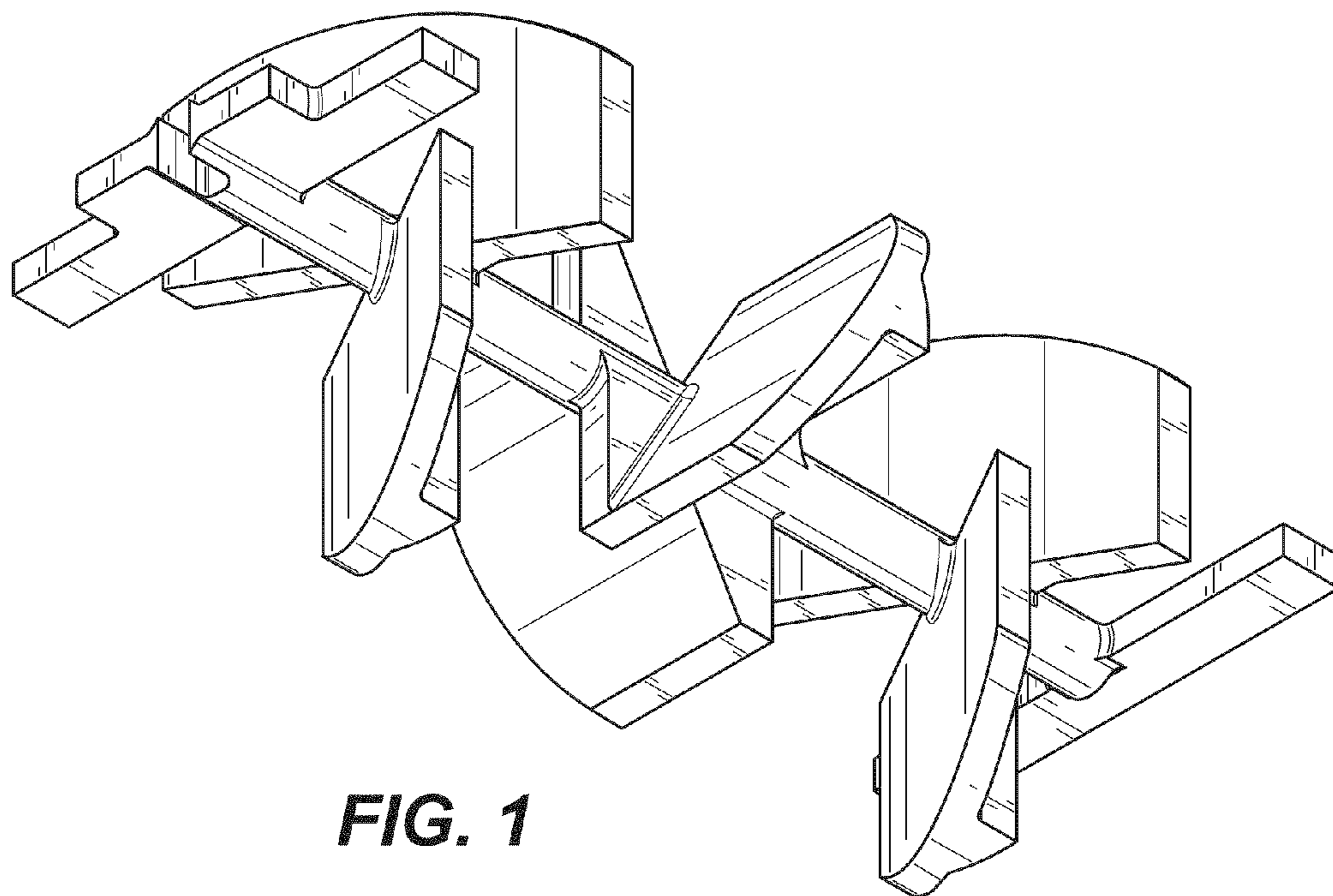


FIG. 1

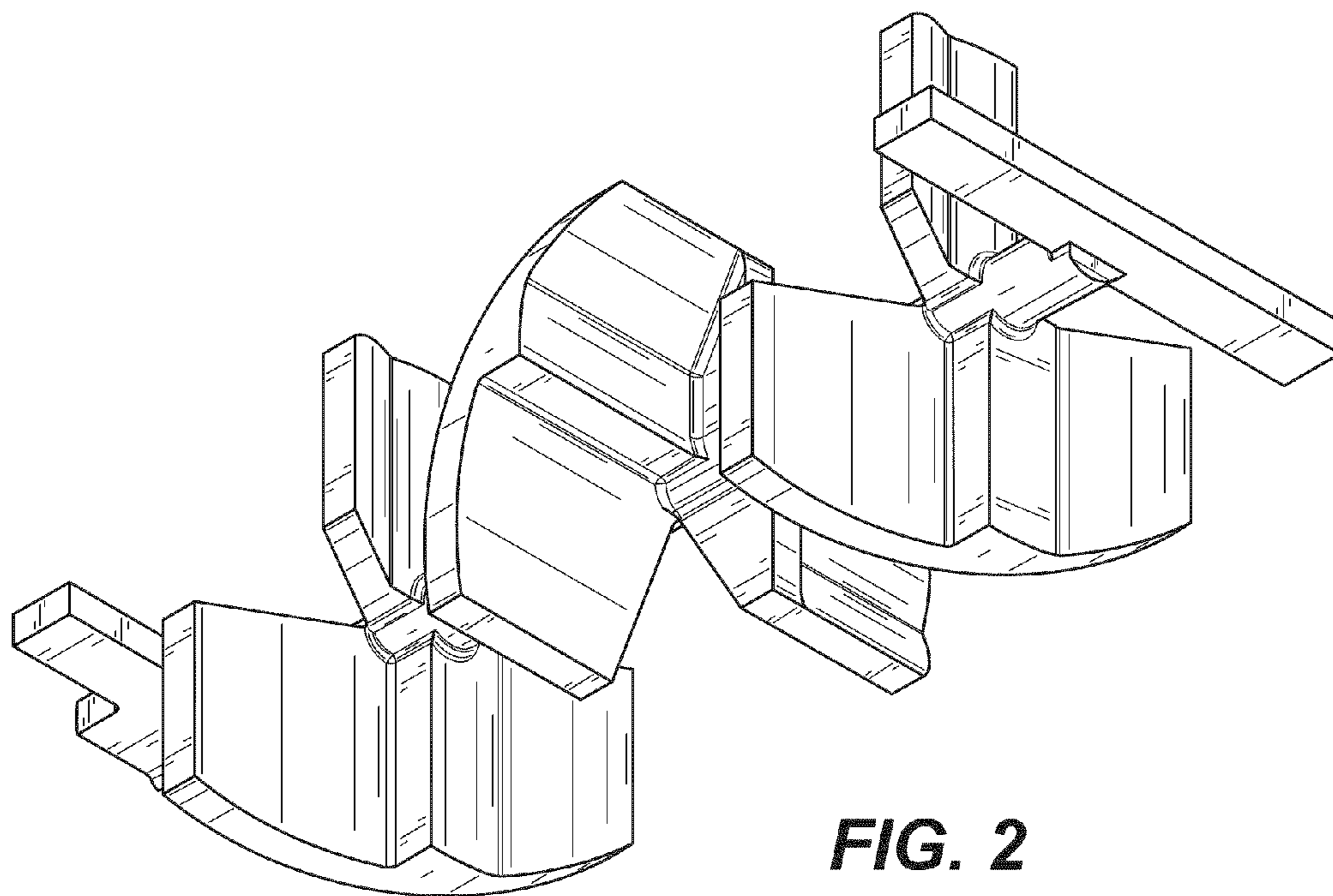


FIG. 2

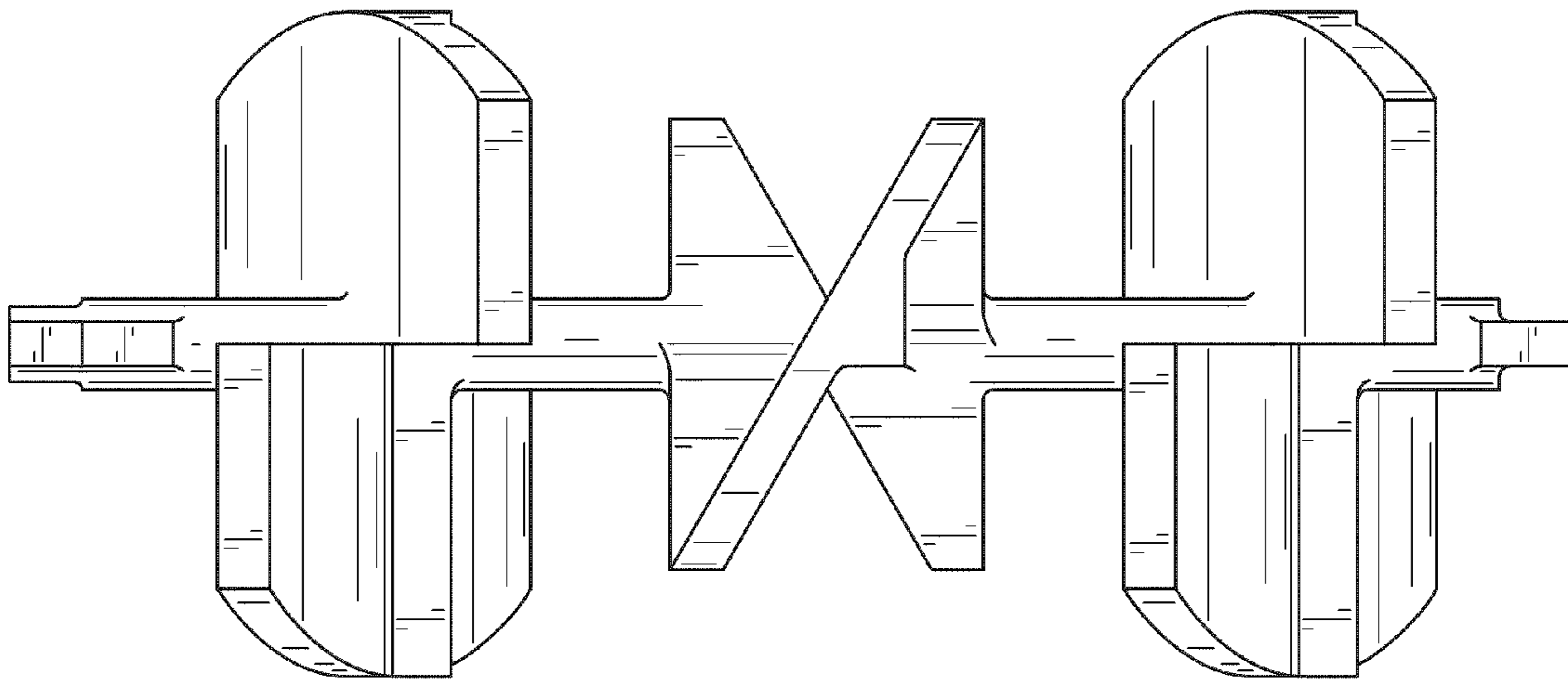


FIG. 3

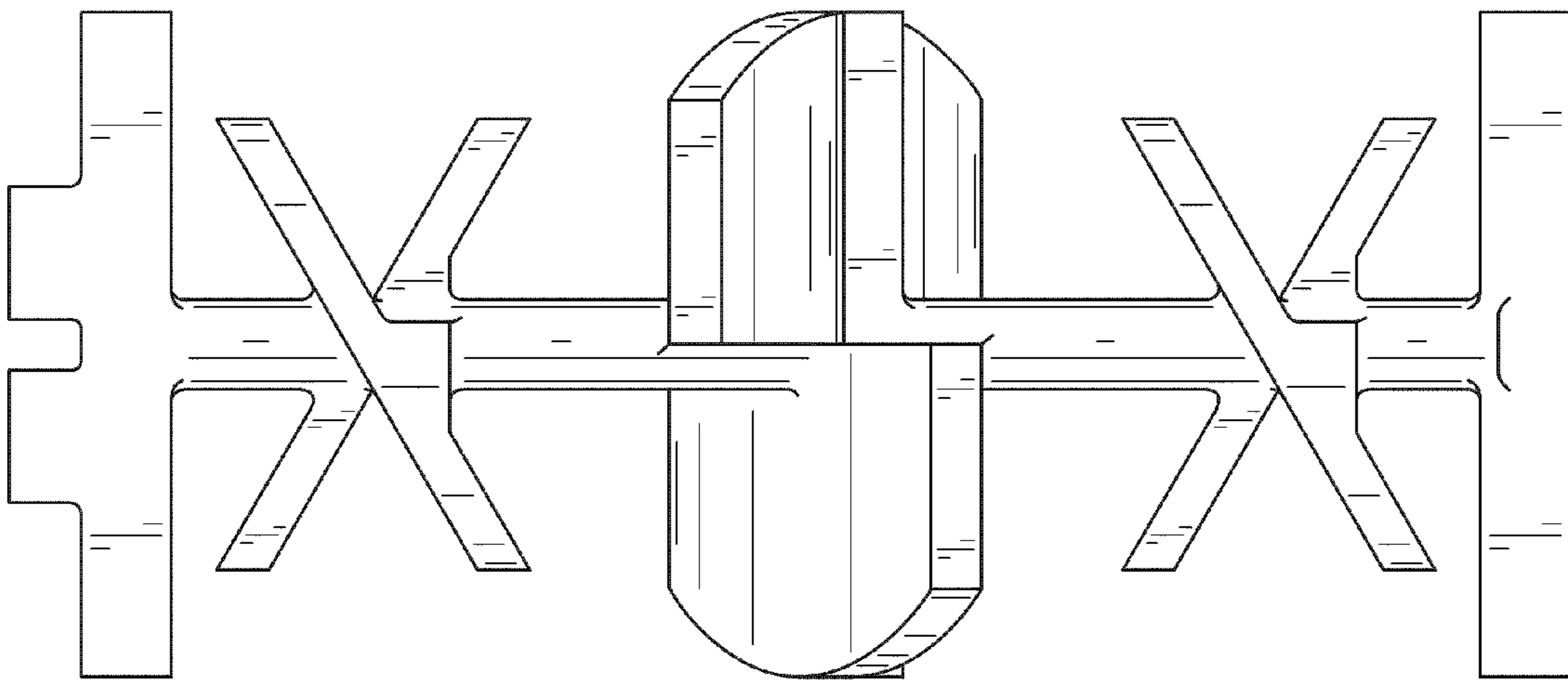


FIG. 4

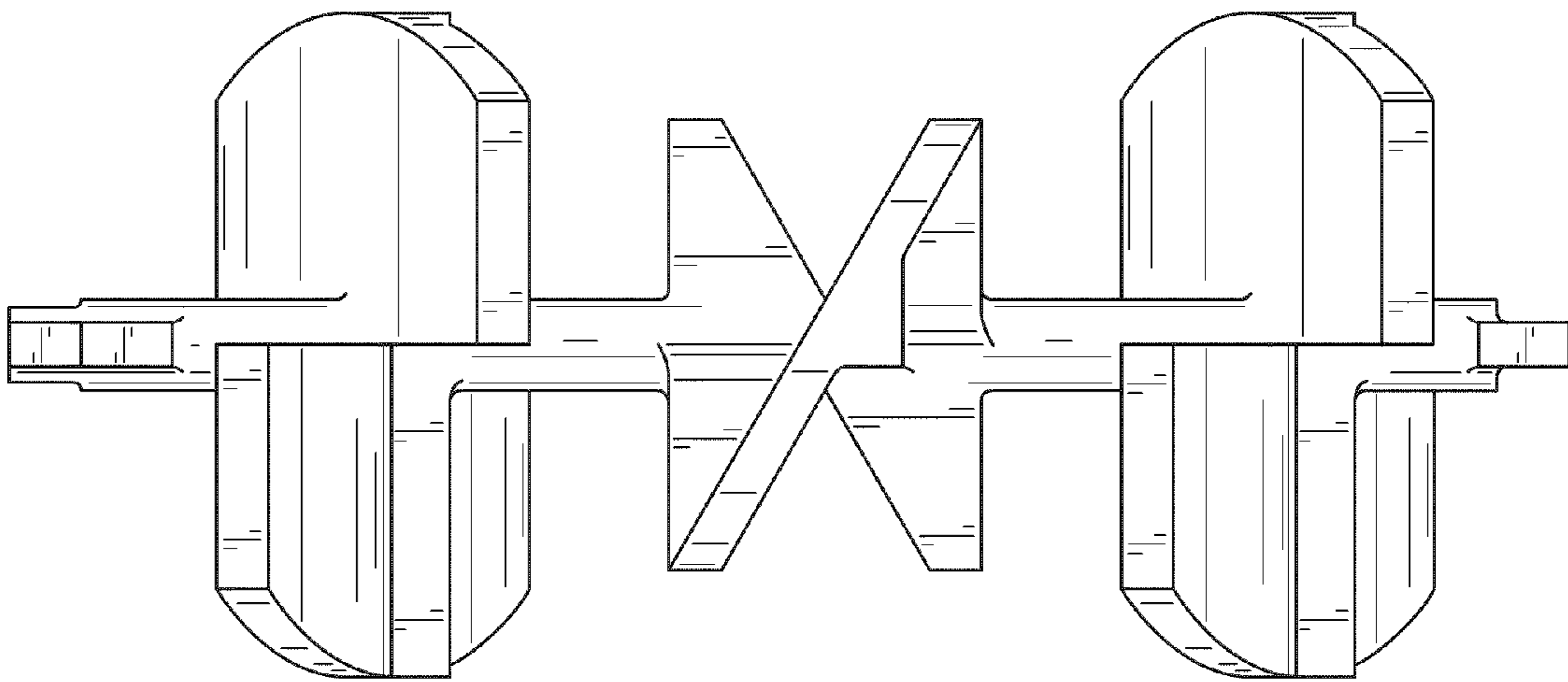


FIG. 5

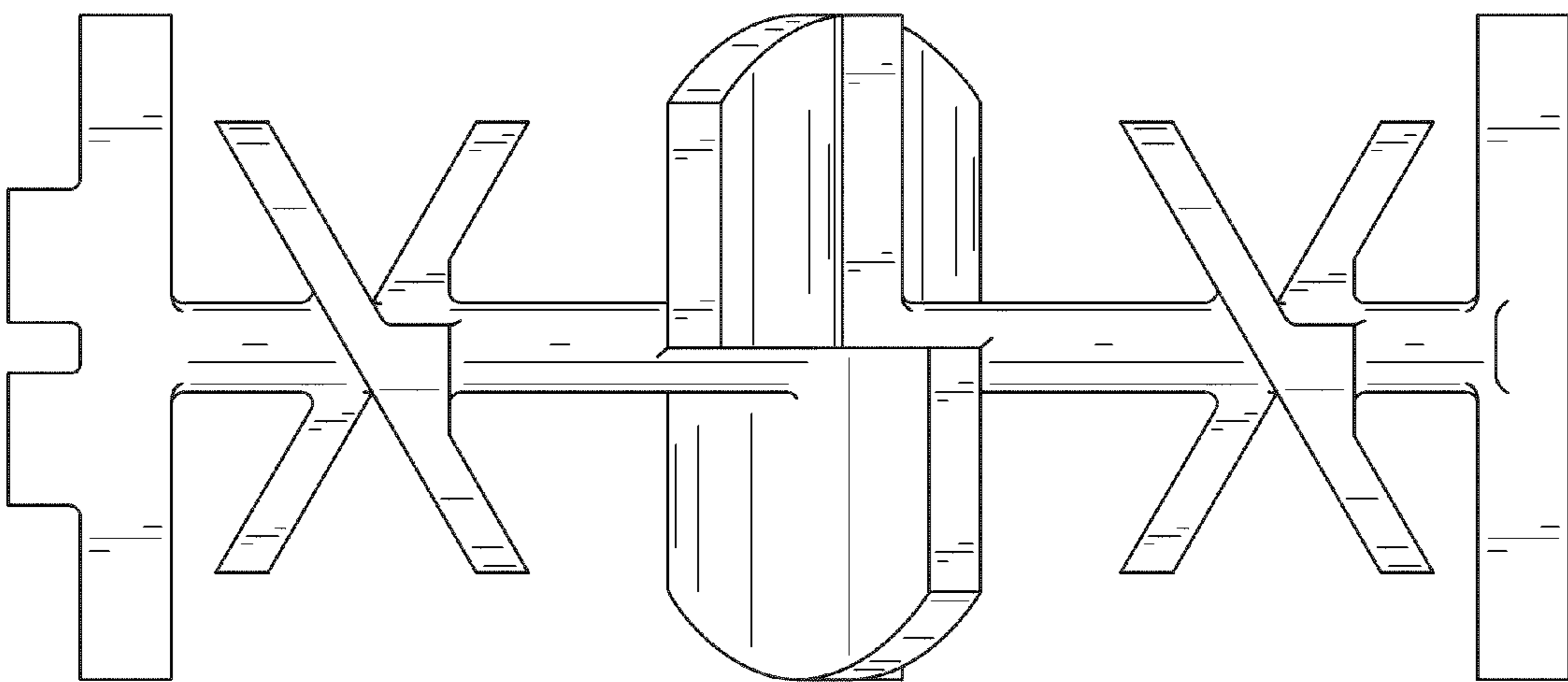


FIG. 6

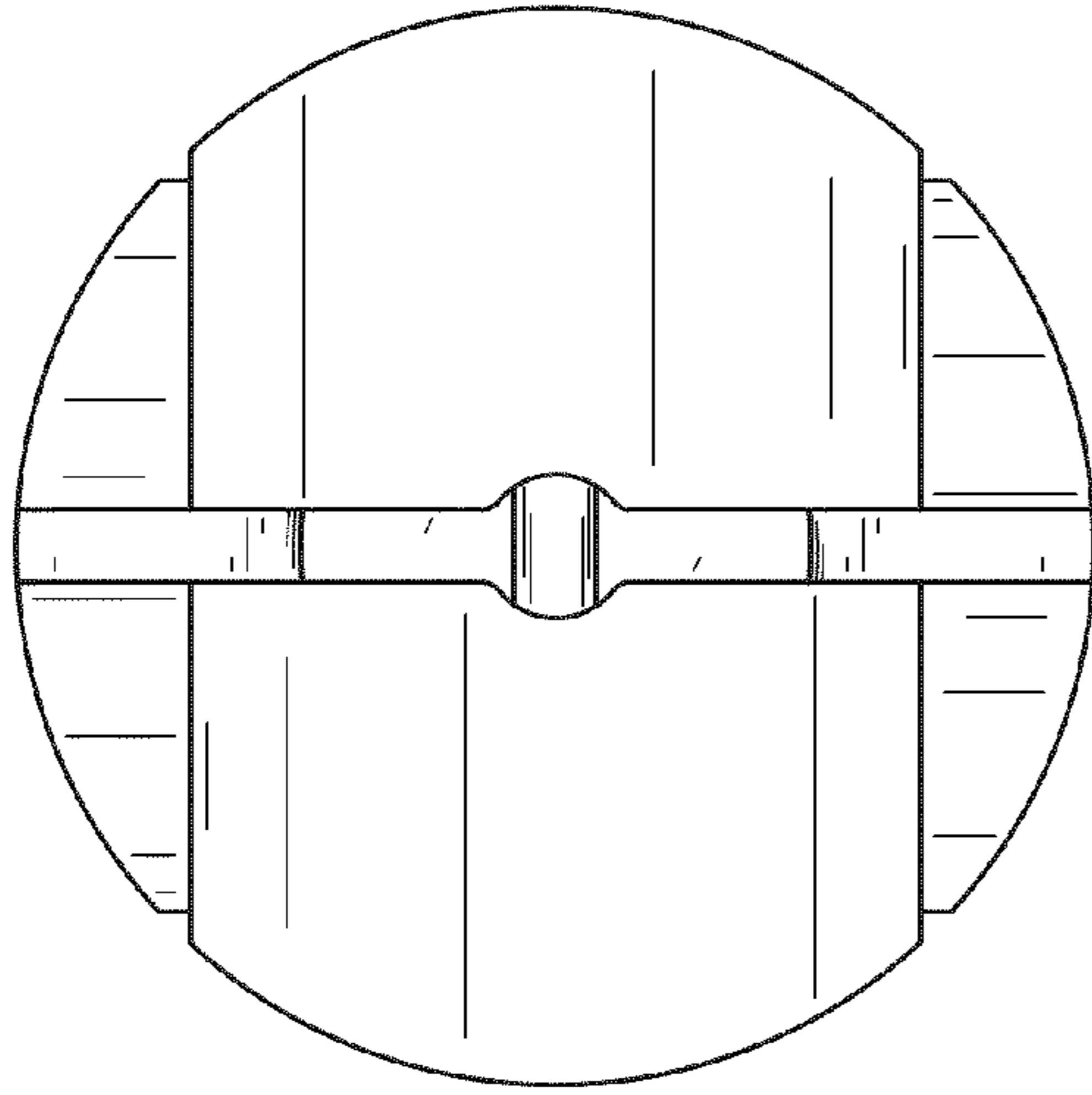


FIG. 7

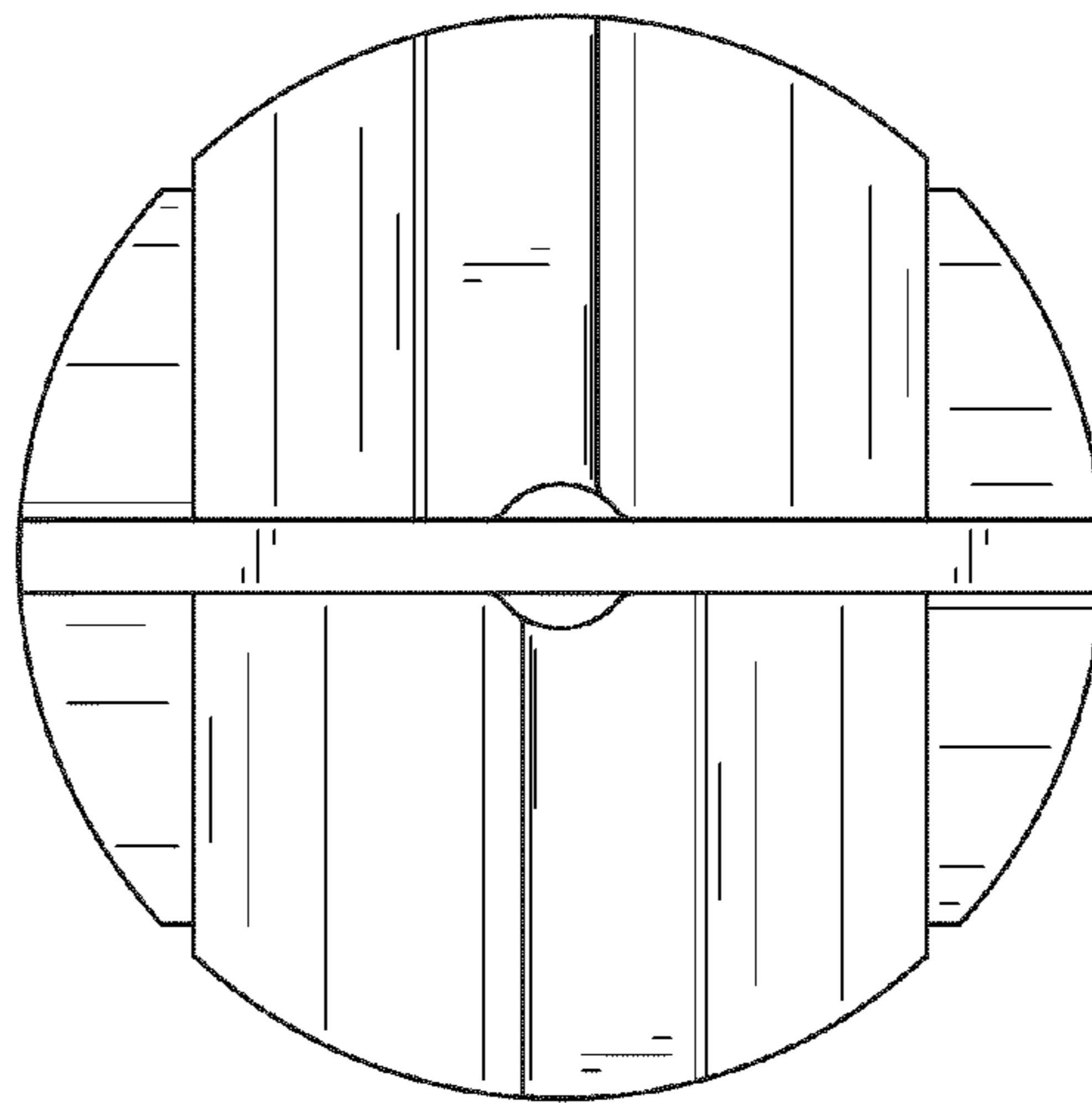


FIG. 8

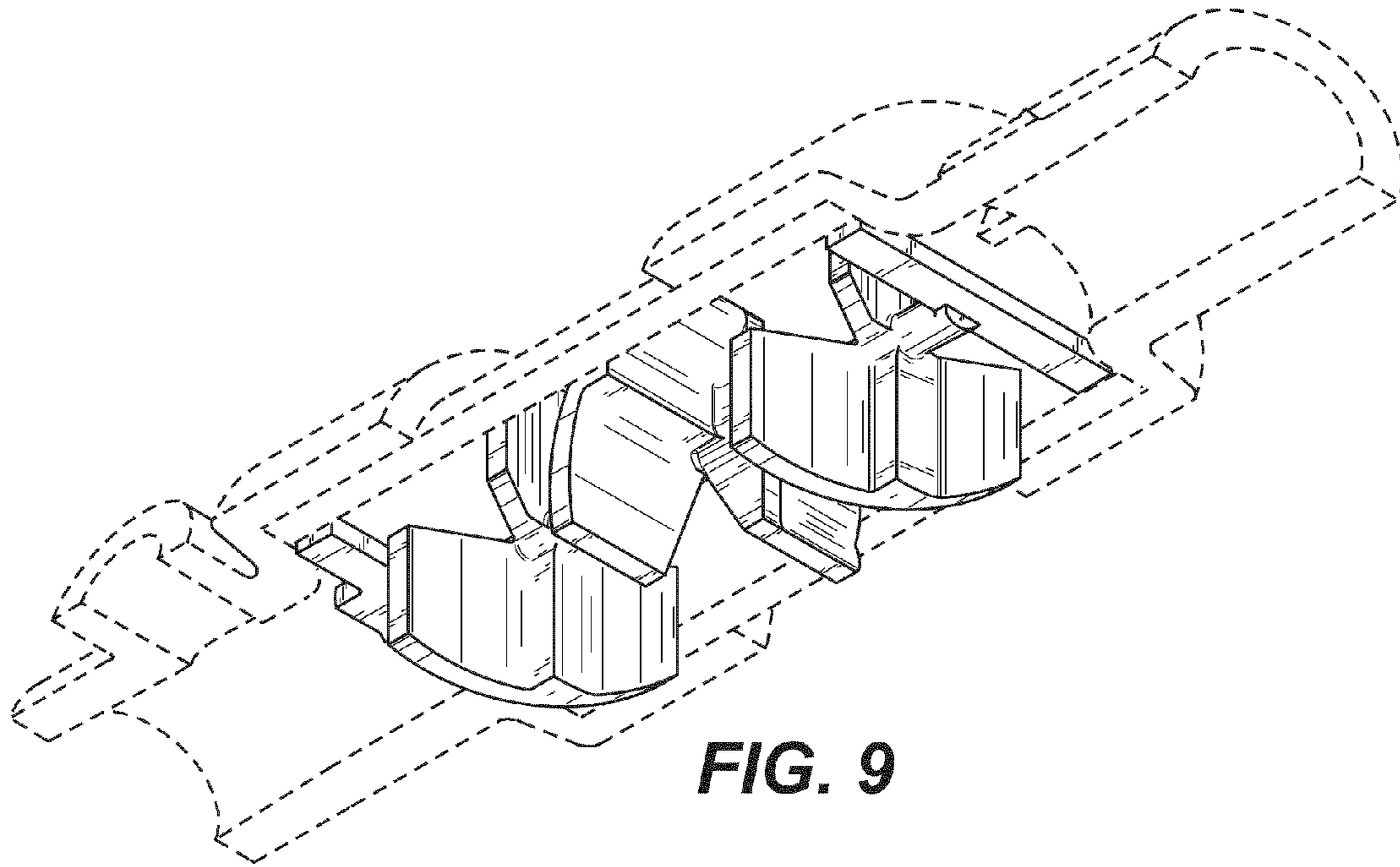


FIG. 9

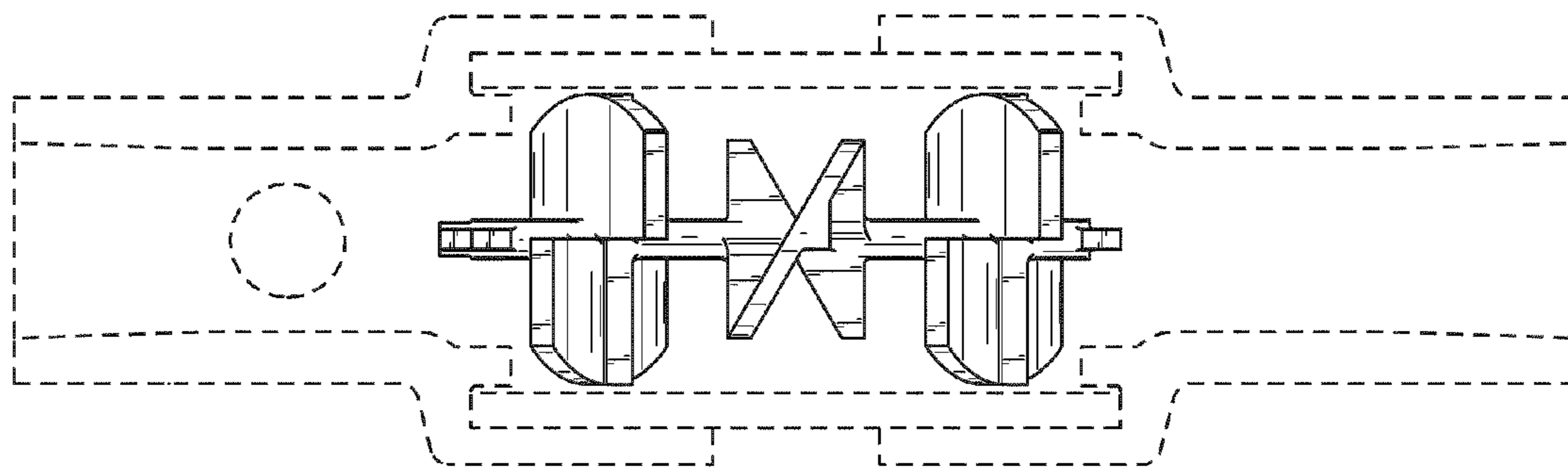


FIG. 10