



US00D607475S

(12) **United States Design Patent**  
**Pacher**

(10) **Patent No.:** **US D607,475 S**  
(45) **Date of Patent:** **\*\* Jan. 5, 2010**

(54) **REFRIGERATING UNIT**

(75) Inventor: **Johann Pacher**, Rottenmann (AT)

(73) Assignee: **AHT Cooling Systems GmbH**,  
Rottenmann (AT)

(\*\*) Term: **14 Years**

(21) Appl. No.: **29/294,703**

(22) Filed: **Jan. 24, 2008**

(51) **LOC (9) Cl.** ..... **15-07**

(52) **U.S. Cl.** ..... **D15/83; D15/79**

(58) **Field of Classification Search** ..... D15/79,  
D15/81, 83, 84, 85; 62/3.6, 3.63, 3.64, 246–257;  
312/236, 400–408; D6/437, 470, 471, 473  
See application file for complete search history.

(56) **References Cited**

**U.S. PATENT DOCUMENTS**

D236,550 S *	8/1975	Cann	.....	D15/84
D440,432 S *	4/2001	Topper et al.	.....	D6/471
D569,396 S *	5/2008	Bondorff et al.	.....	D15/84
D572,731 S *	7/2008	Bondorff et al.	.....	D15/84
D589,539 S *	3/2009	Terada et al.	.....	D15/81

**OTHER PUBLICATIONS**

U.S. Appl. No. 29/294,704, filed Jan. 24, 2008.  
U.S. Appl. No. 29/294,702, filed Jan. 24, 2008.

\* cited by examiner

*Primary Examiner*—Stella M Reid  
*Assistant Examiner*—Shanda C Hill

(74) *Attorney, Agent, or Firm*—Fross Zelnick Lehrman &  
Zissu, P.C.; Charles T. J. Weigell, Esq.

(57) **CLAIM**

The ornamental design for a refrigerating unit, as shown and described.

**DESCRIPTION**

FIG. 1 is a front perspective view of a refrigerating unit showing the new design;

FIG. 2 is a front view of the refrigerating unit shown in FIG. 1;

FIG. 3 is a rear view of the refrigerating unit shown in FIG. 1;

FIG. 4 is a left side view of the refrigerating unit shown in FIG. 1;

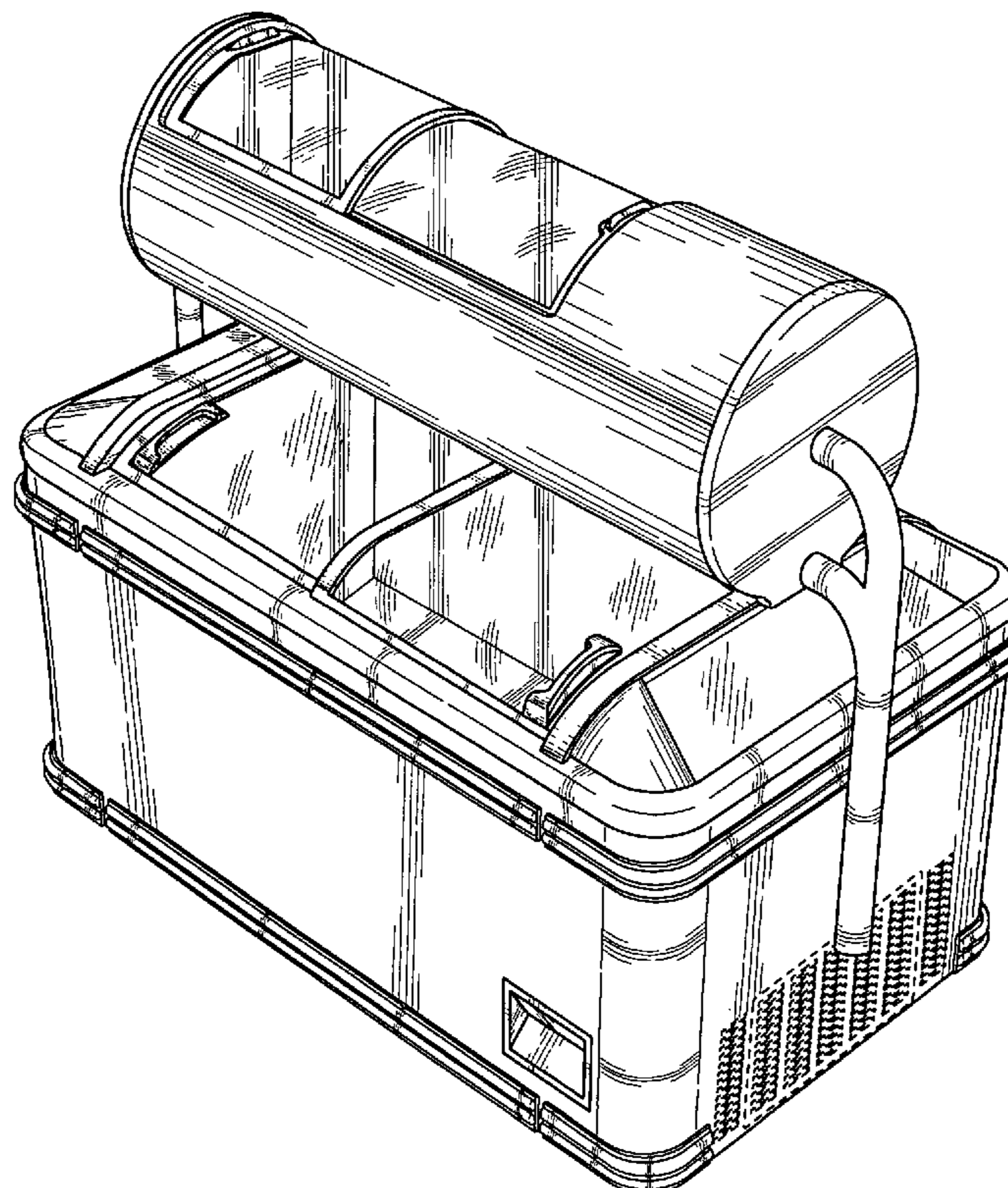
FIG. 5 is a right side view of the refrigerating unit shown in FIG. 1;

FIG. 6 is a top view of the refrigerating unit shown in FIG. 1; and,

FIG. 7 is a bottom view of the refrigerating unit shown in FIG. 1.

The broken line showing of the side and rear vents is for illustrative purposes only and forms no part of the claimed design.

**1 Claim, 7 Drawing Sheets**



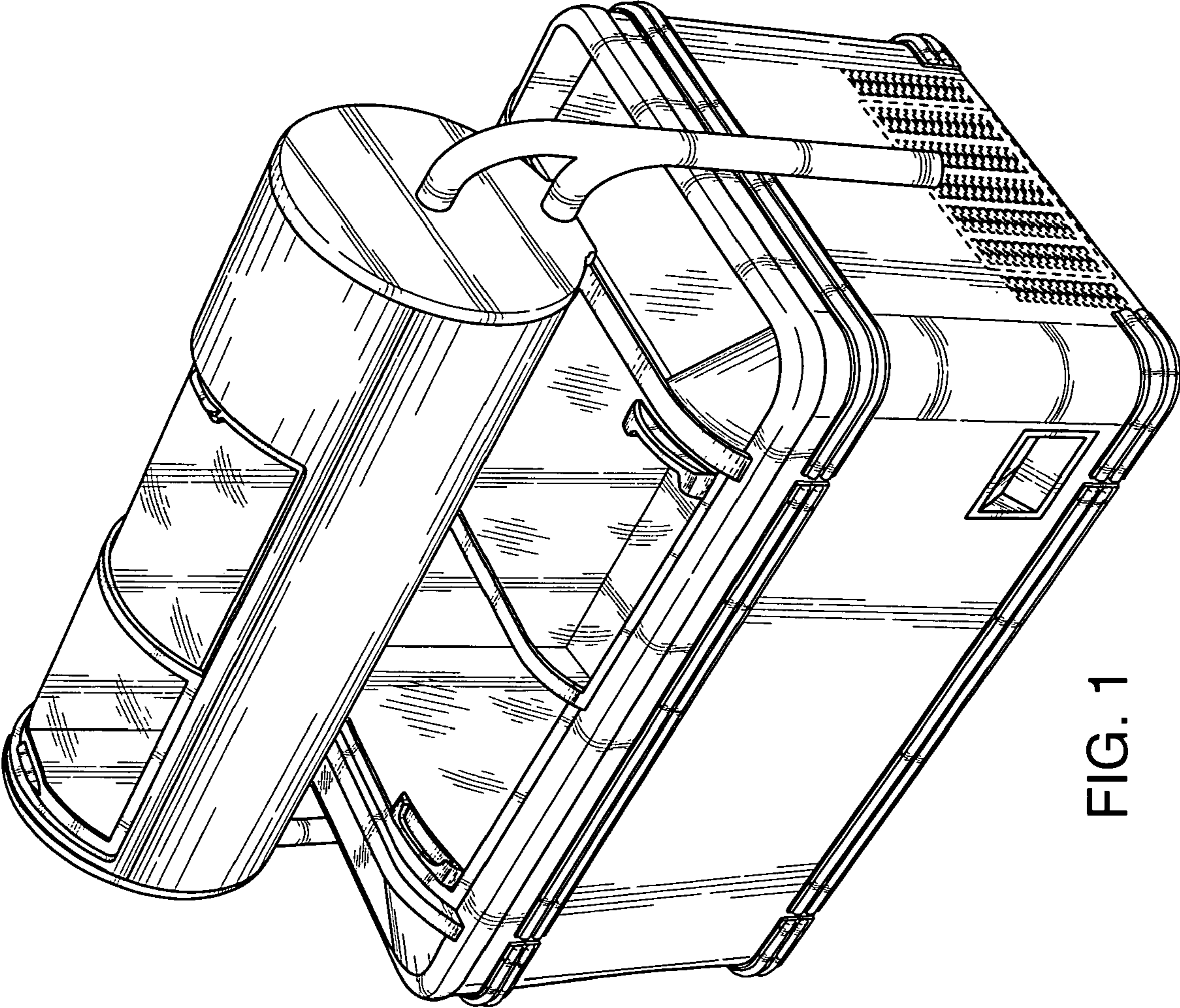


FIG. 1

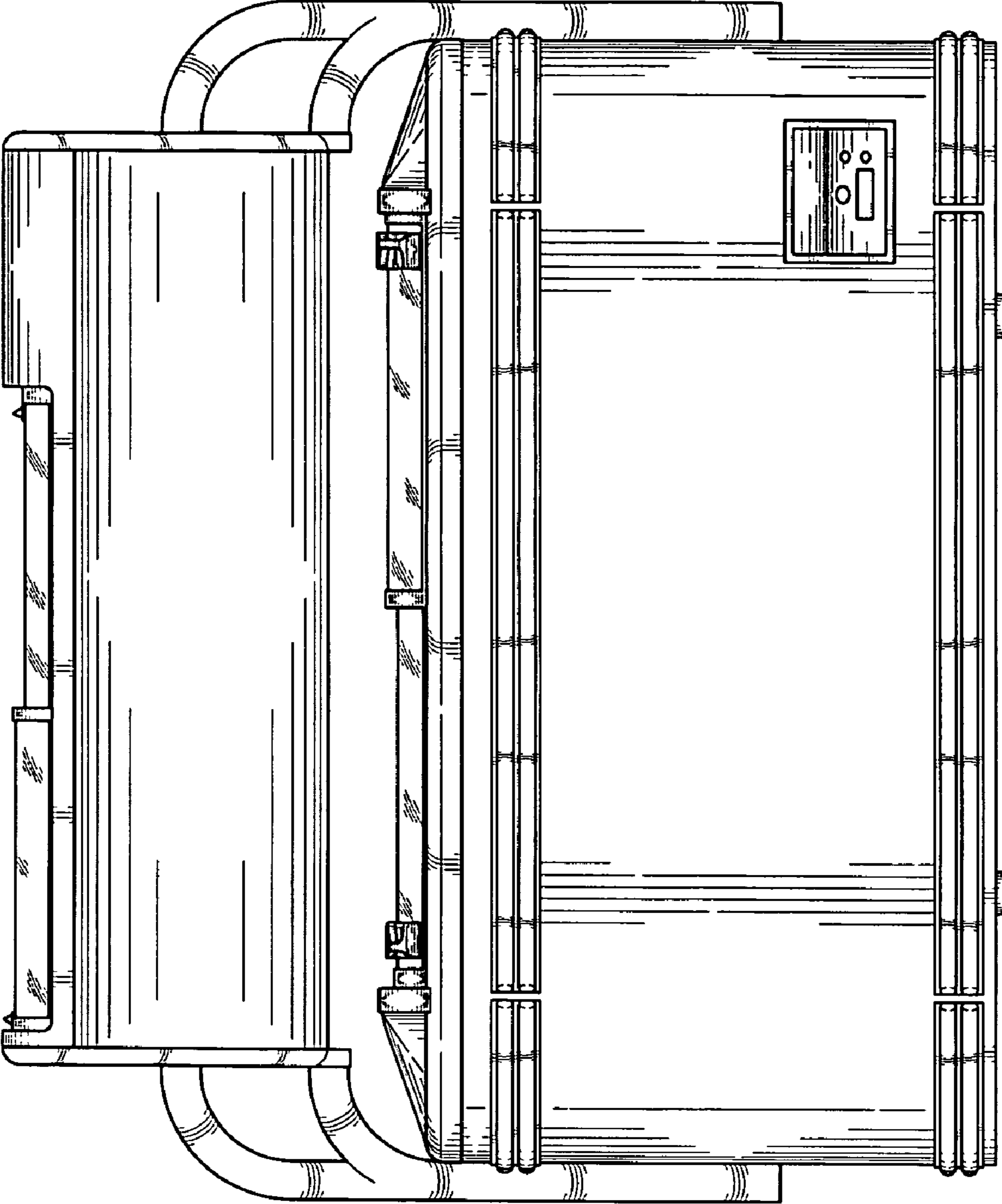


FIG. 2

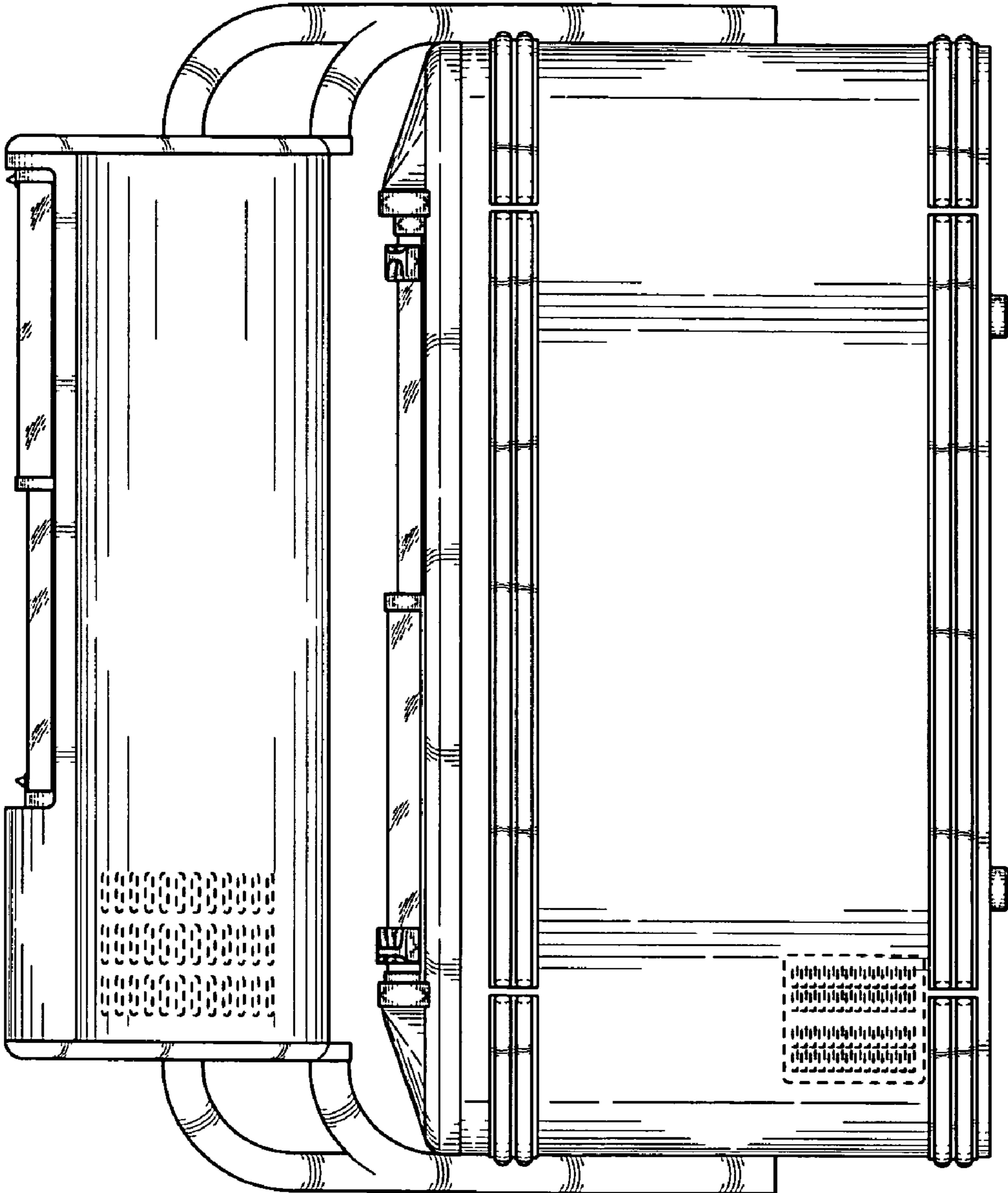


FIG. 3

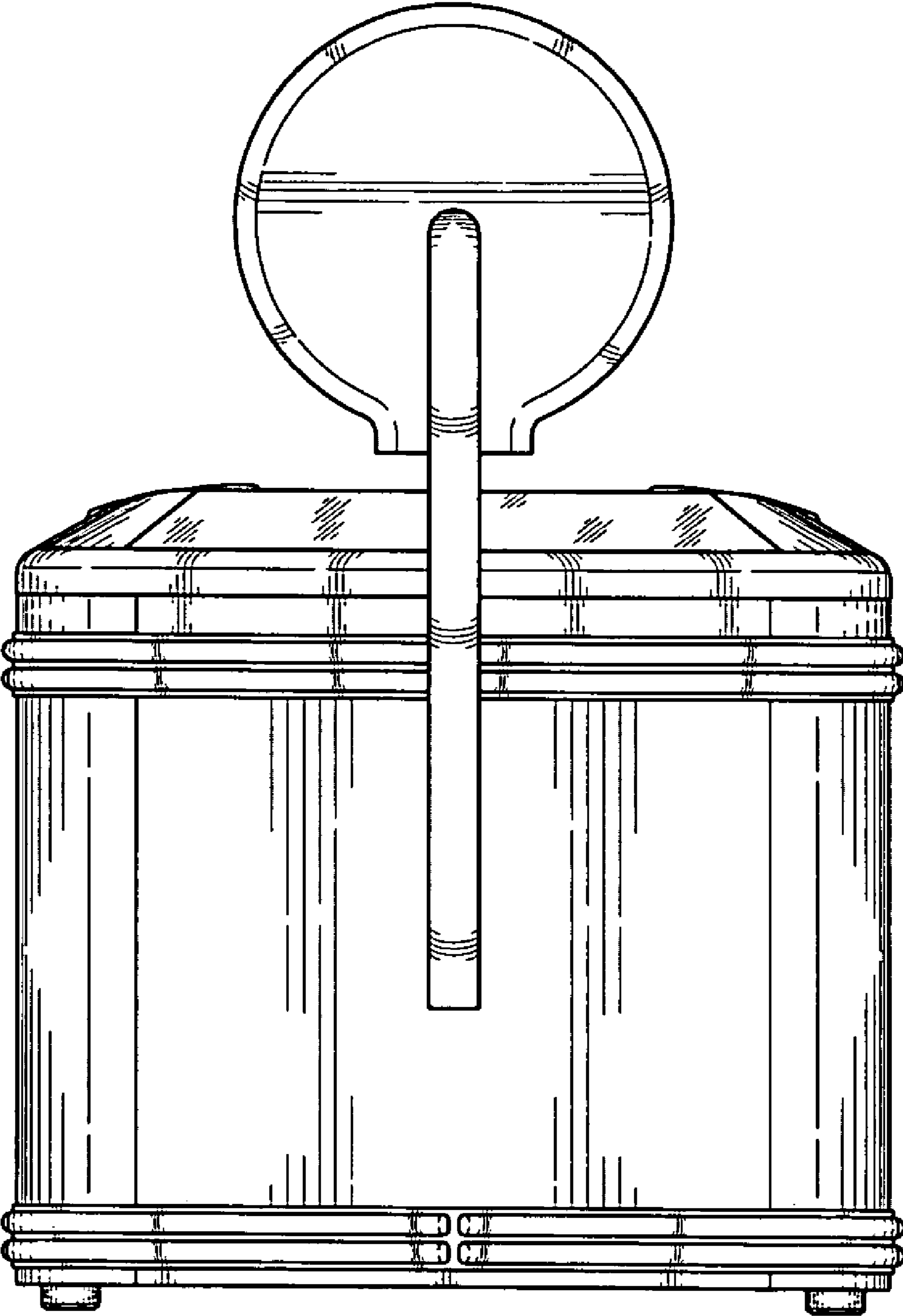


FIG. 4

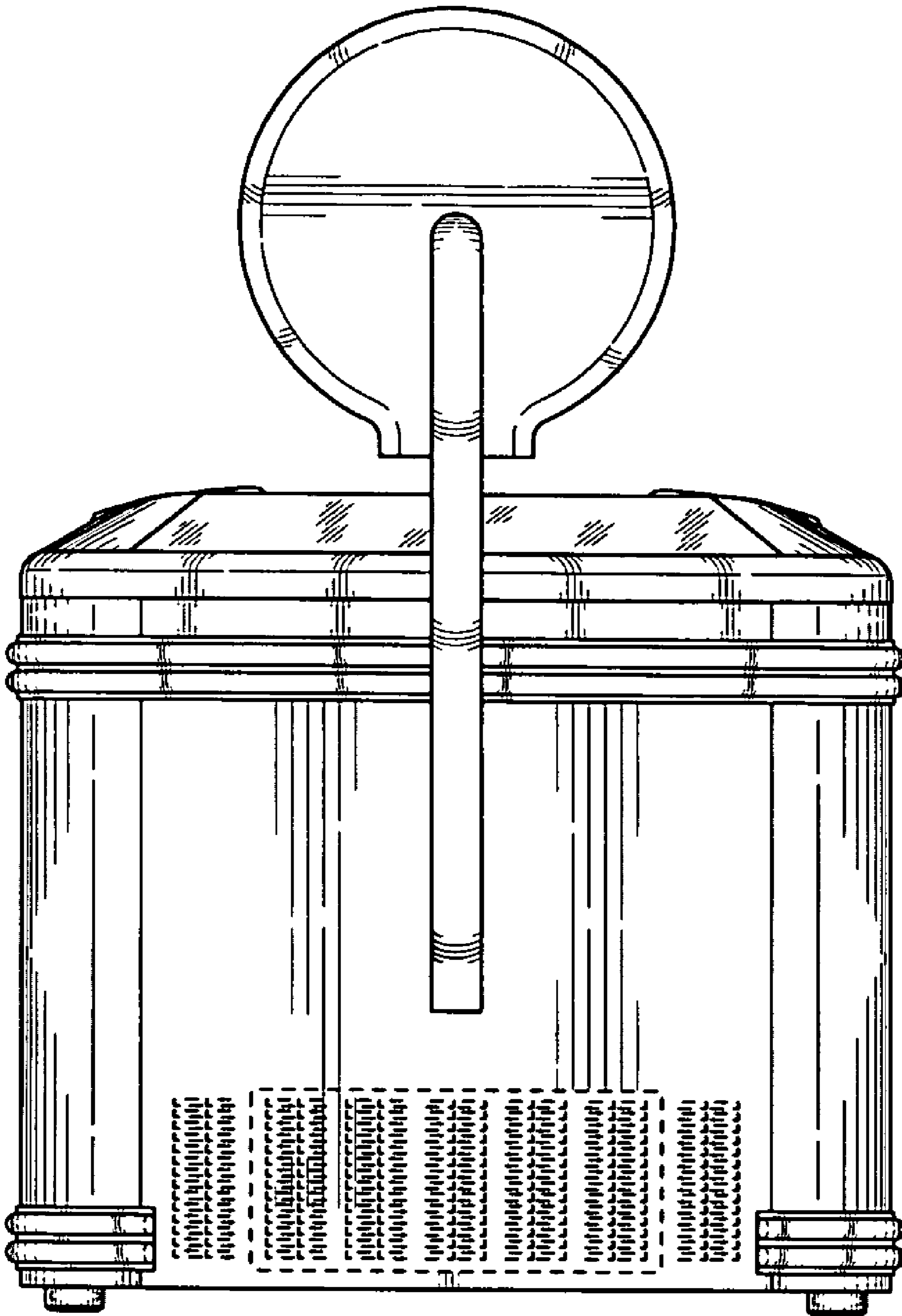


FIG. 5

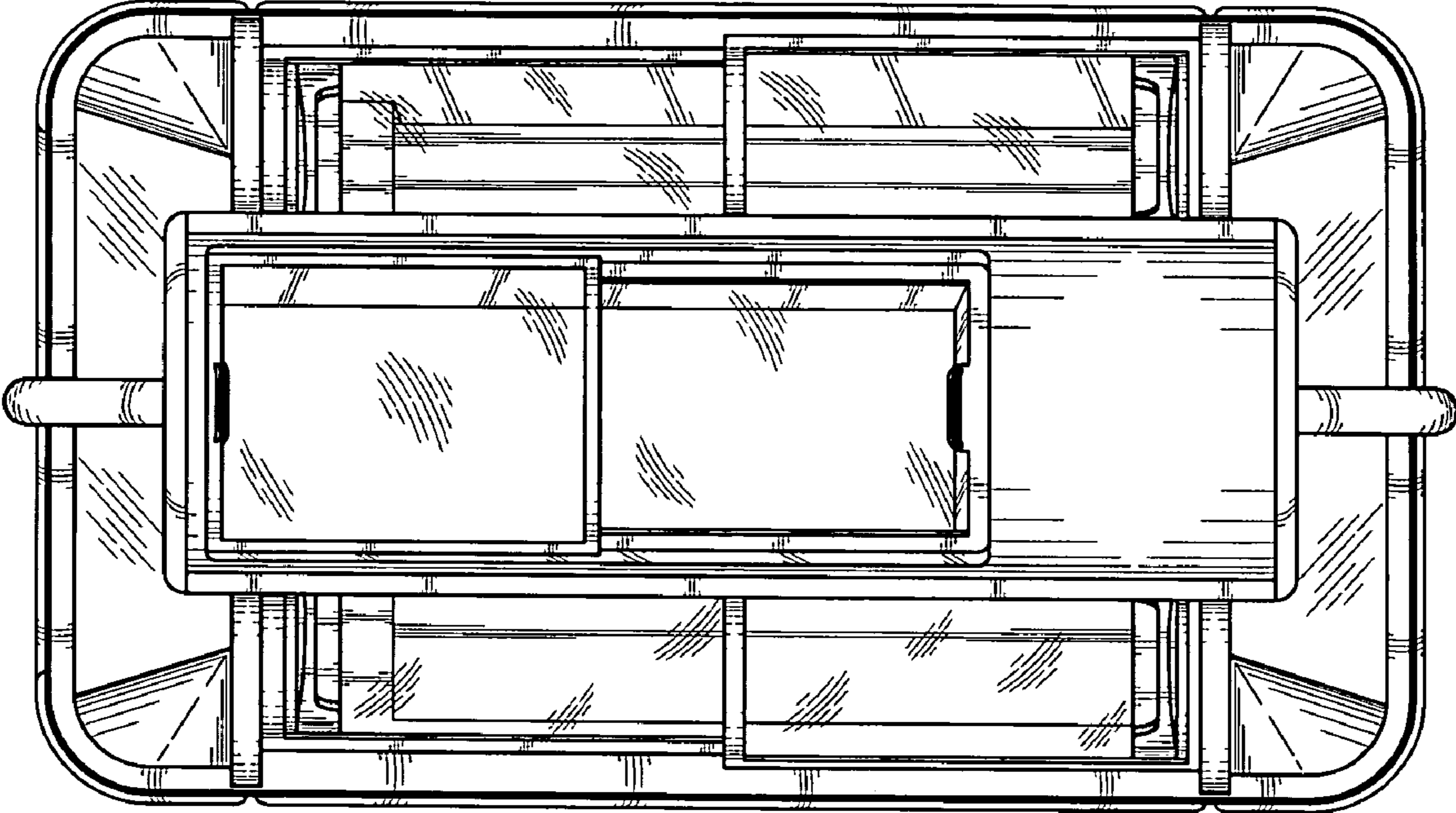


FIG. 6

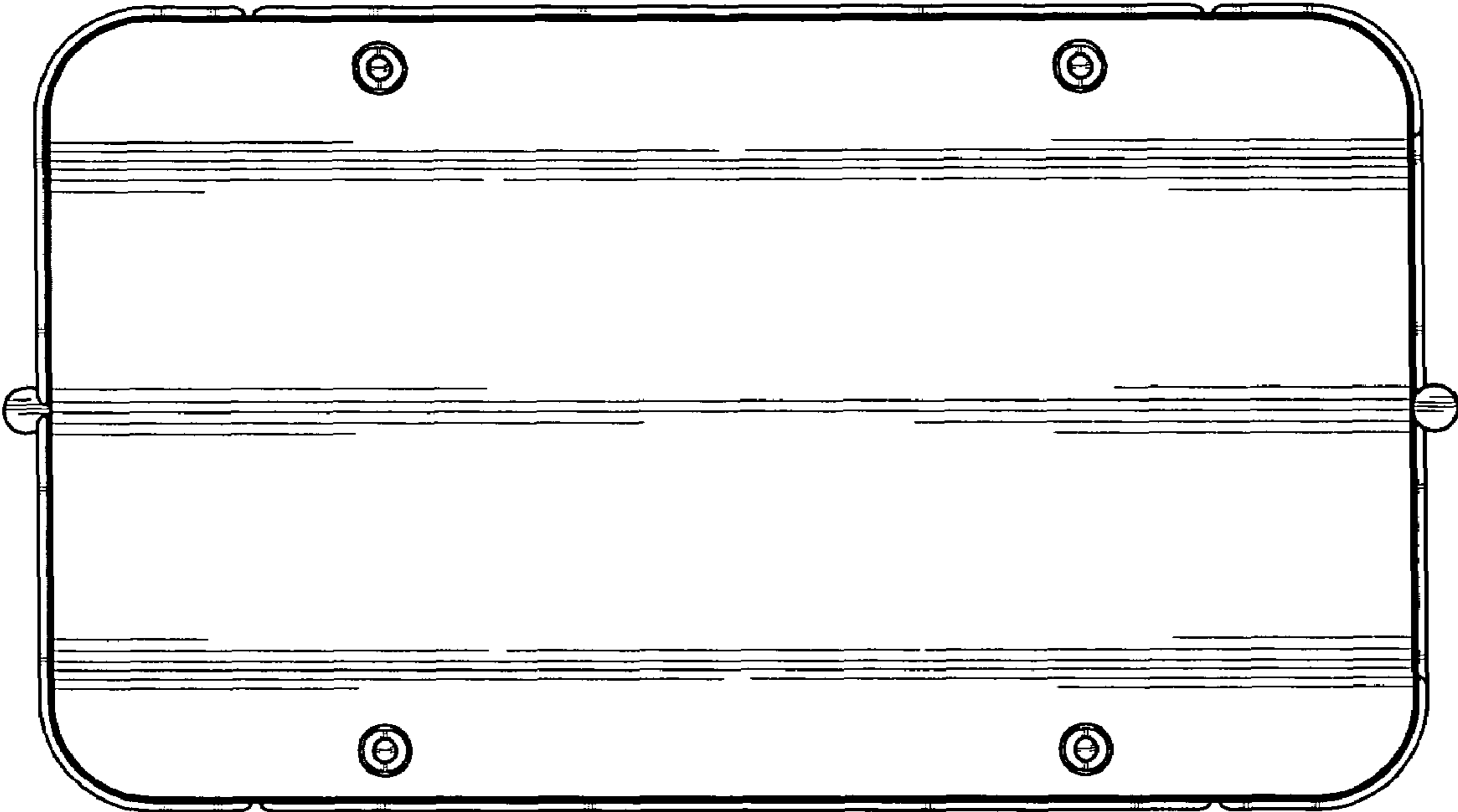


FIG. 7



UNITED STATES PATENT AND TRADEMARK OFFICE  
**CERTIFICATE OF CORRECTION**

PATENT NO. : Des. 607,475 S  
APPLICATION NO. : 29/294703  
DATED : January 5, 2010  
INVENTOR(S) : Johann Pacher

Page 1 of 1

It is certified that error appears in the above-identified patent and that said Letters Patent is hereby corrected as shown below:

On the title page, item (30) Foreign Application Priority Data should read:

(30) Foreign Application Priority Data

July 26, 2007 (EM) .....000765409-0003  
July 26, 2007 (EM) .....000765409-0004

Signed and Sealed this

Eighteenth Day of May, 2010



David J. Kappos  
*Director of the United States Patent and Trademark Office*