



US00D607474S

(12) **United States Design Patent**
Pacher

(10) **Patent No.:** **US D607,474 S**
(45) **Date of Patent:** **** Jan. 5, 2010**

(54) **REFRIGERATING UNIT**

(75) Inventor: **Johann Pacher**, Rottenmann (AT)

(73) Assignee: **AHT Cooling Systems GmbH**,
Rottenmann (AT)

(**) Term: **14 Years**

(21) Appl. No.: **29/294,702**

(22) Filed: **Jan. 24, 2008**

(51) **LOC (9) Cl.** **15-07**

(52) **U.S. Cl.** **D15/83; D15/79**

(58) **Field of Classification Search** D15/79,
D15/81, 83; 62/3.6, 3.63, 3.64, 246–257;
312/236, 400–408; D6/437, 470, 471, 473
See application file for complete search history.

(56) **References Cited**

U.S. PATENT DOCUMENTS

| | | | | |
|--------------|---------|-------|-------|--------|
| D477,616 S * | 7/2003 | Resch | | D15/83 |
| D483,045 S * | 12/2003 | Resch | | D15/83 |
| D520,529 S * | 5/2006 | Resch | | D15/83 |
| D521,029 S * | 5/2006 | Resch | | D15/83 |
| D530,346 S * | 10/2006 | Resch | | D15/83 |
| D586,366 S * | 2/2009 | Resch | | D15/79 |

OTHER PUBLICATIONS

U.S. Appl. No. 29/294,703, filed Jan. 24, 2008.

* cited by examiner

Primary Examiner—Stella M Reid

Assistant Examiner—Shanda C Hill

(74) *Attorney, Agent, or Firm*—Fross Zelnick Lehrman &
Zissu, P.C.; Charles T. J. Weigell, Esq.

(57) **CLAIM**

The ornamental design for a refrigerating unit, as shown and described.

DESCRIPTION

FIG. 1 is a front perspective view of a refrigerating unit showing the new design;

FIG. 2 is a front view of the refrigerating unit shown in FIG. 1;

FIG. 3 is a rear view of the refrigerating unit shown in FIG. 1;

FIG. 4 is a right side view of the refrigerating unit shown in FIG. 1;

FIG. 5 is a left side view of the refrigerating unit shown in FIG. 1;

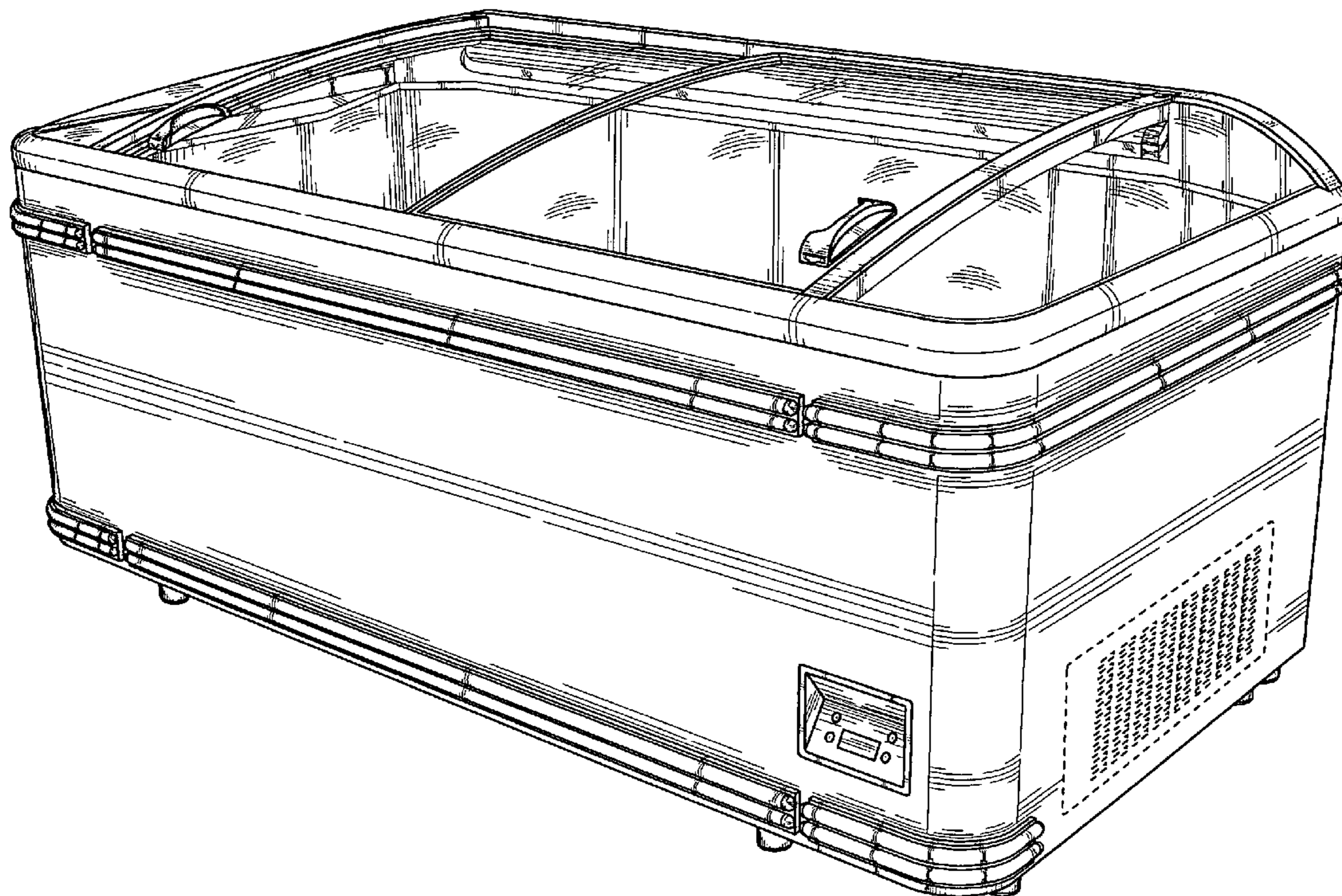
FIG. 6 is a top view of the refrigerating unit shown in FIG. 1;

FIG. 7 is a bottom view of the refrigerating unit shown in FIG. 1; and,

FIG. 8 is a top perspective view of the refrigerating unit shown in FIG. 1.

The broken line showing of the side and rear vents is for illustrative purposes only and forms no part of the claimed design.

1 Claim, 7 Drawing Sheets



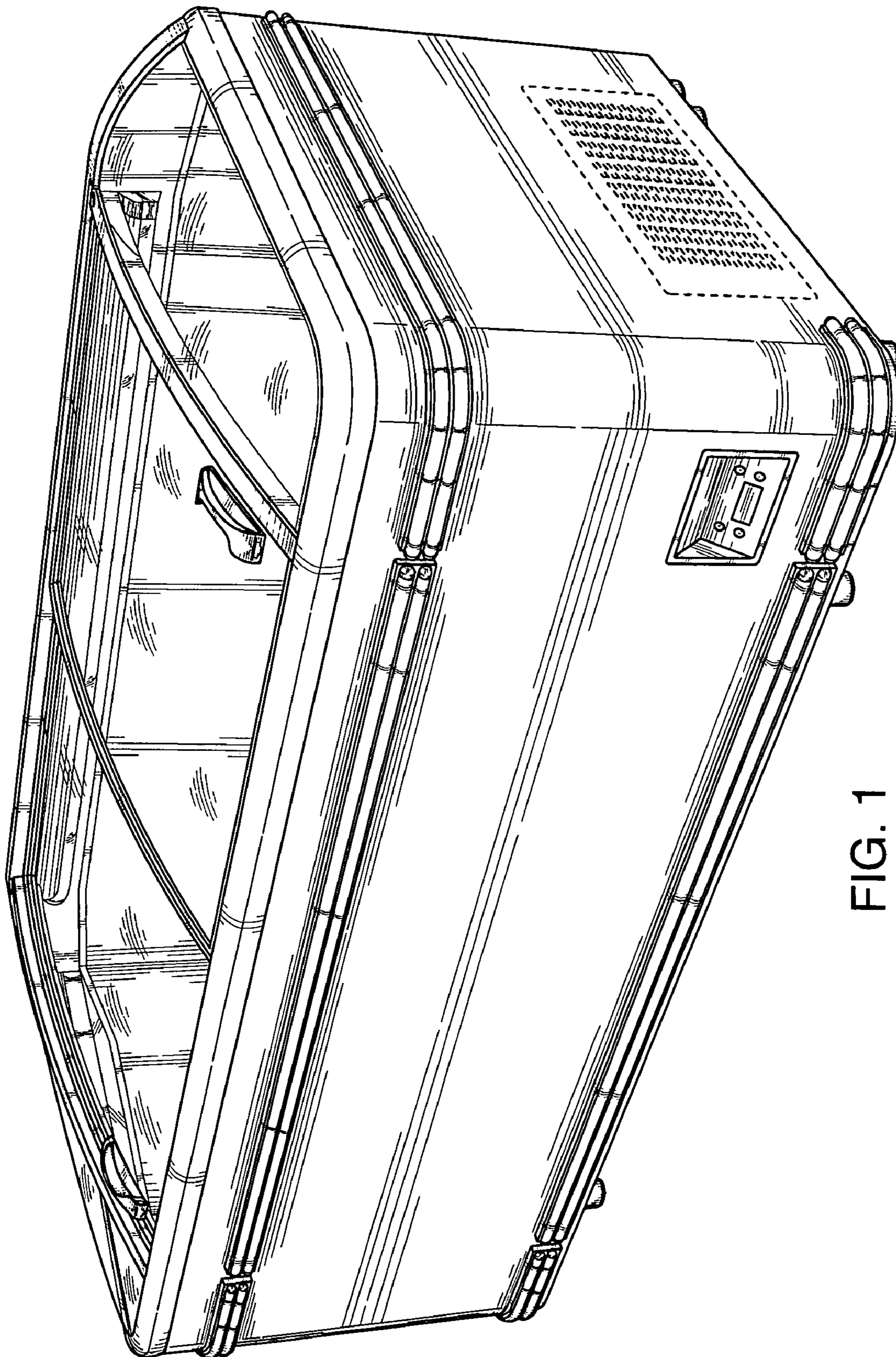


FIG. 1

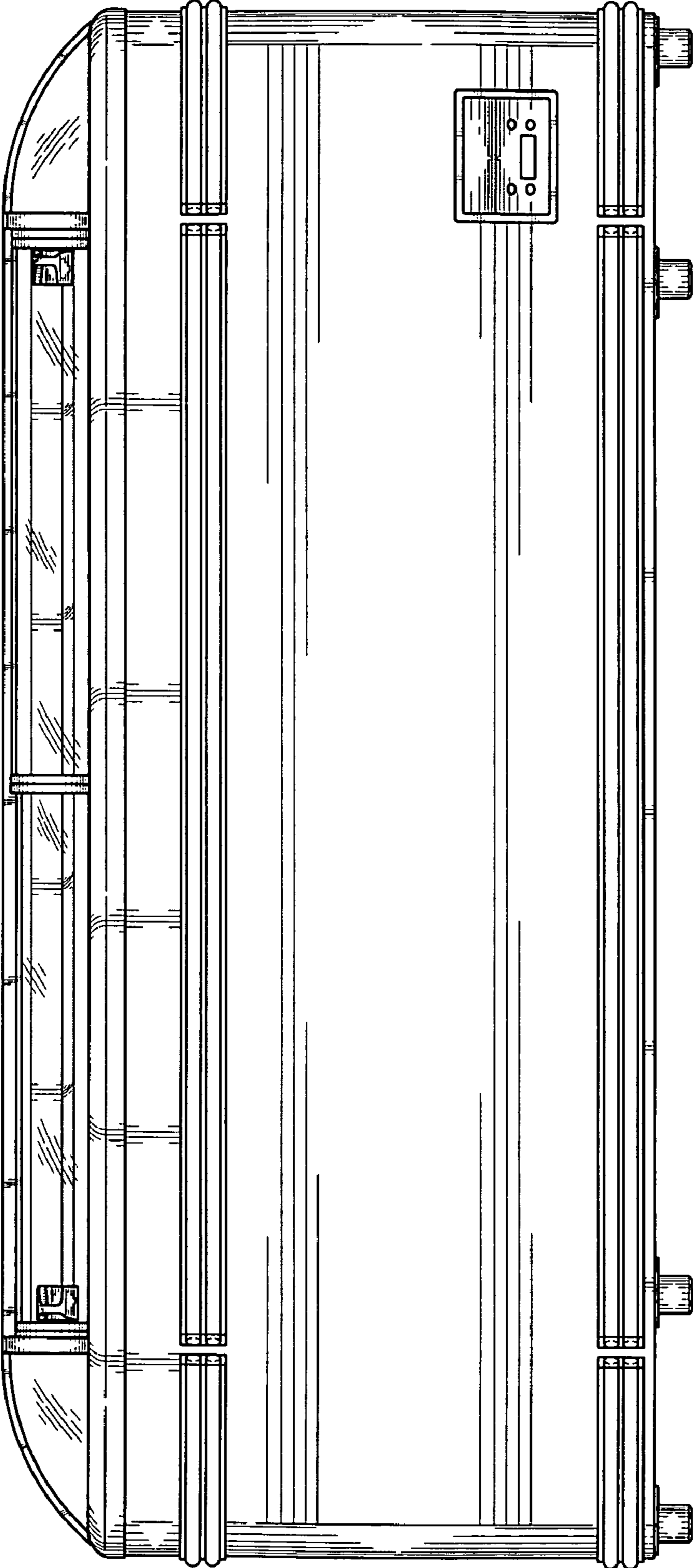


FIG. 2

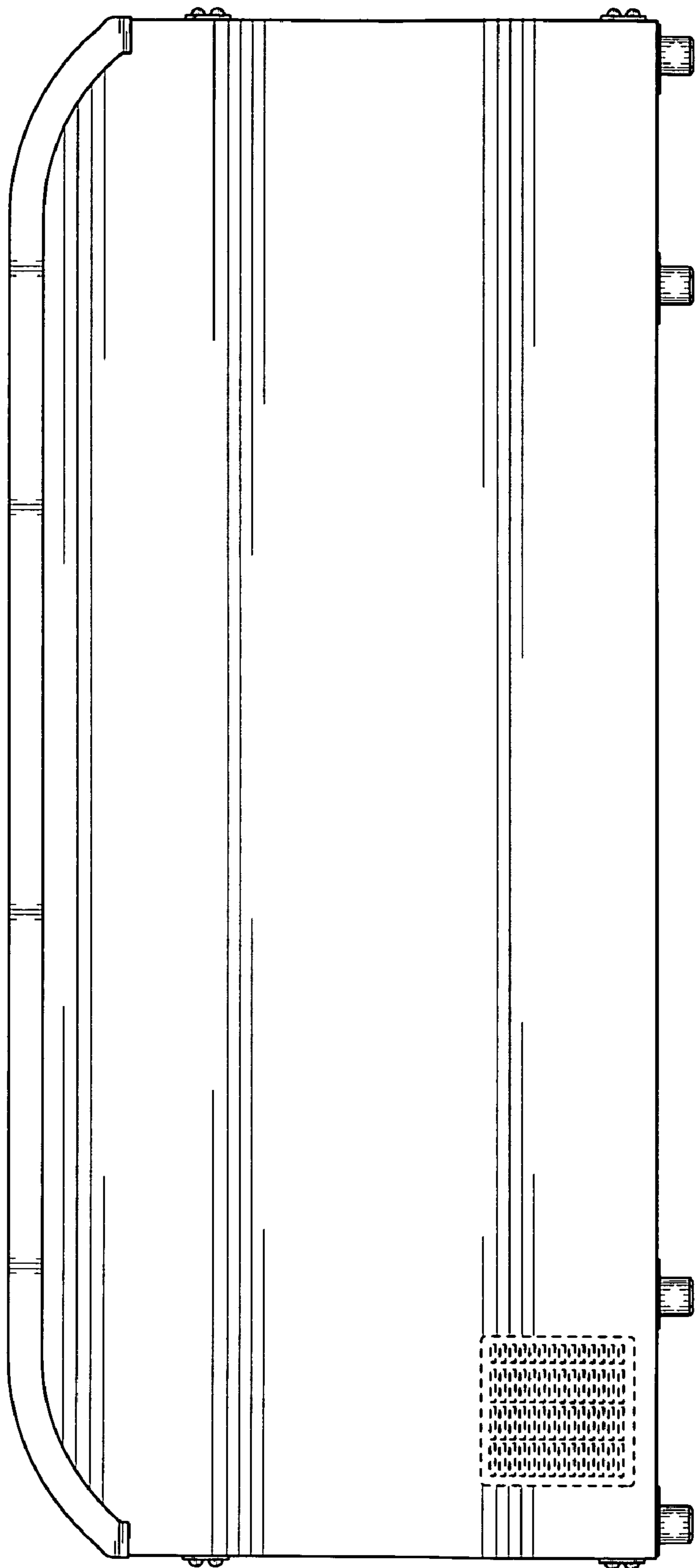


FIG. 3

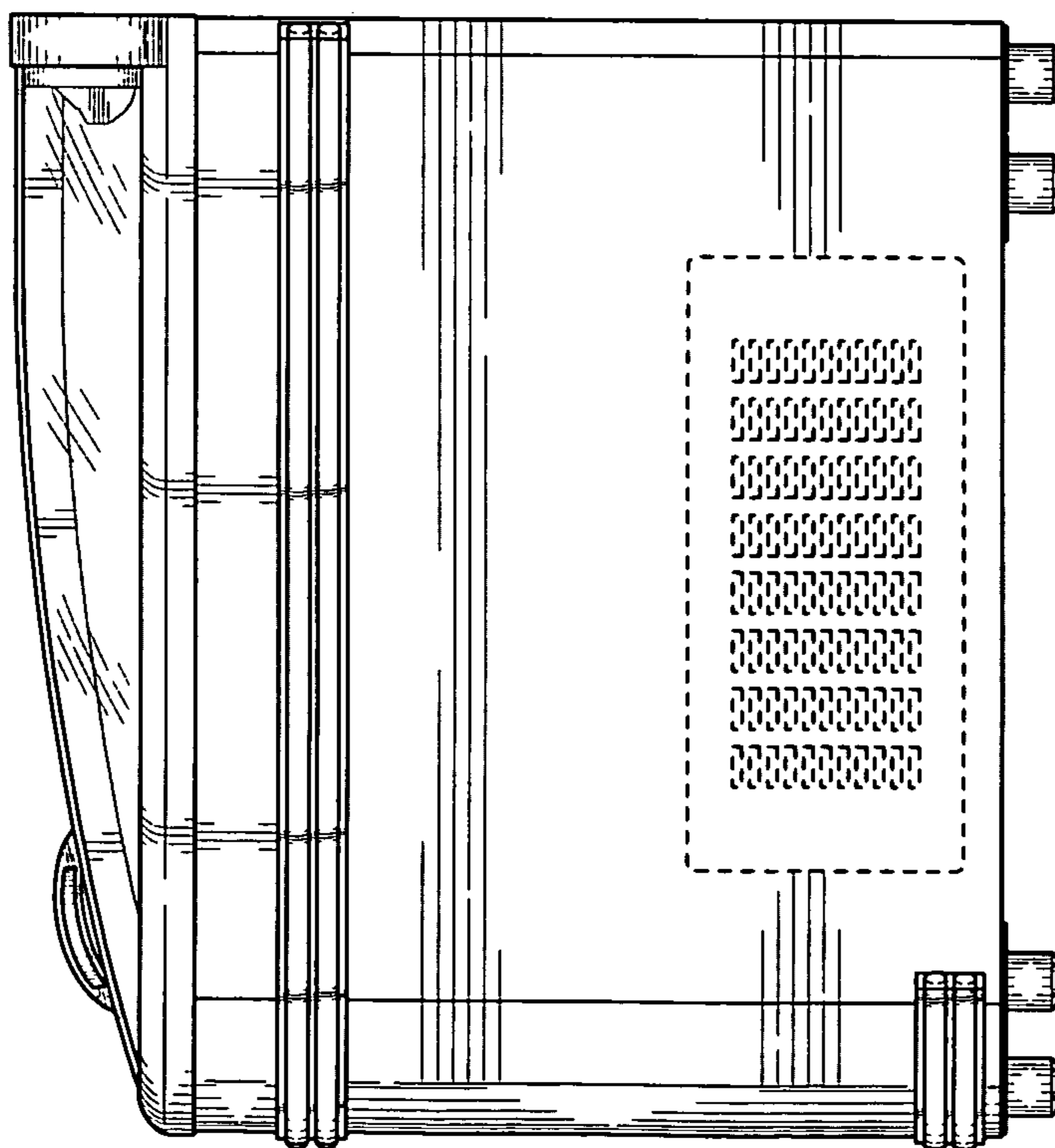


FIG. 4

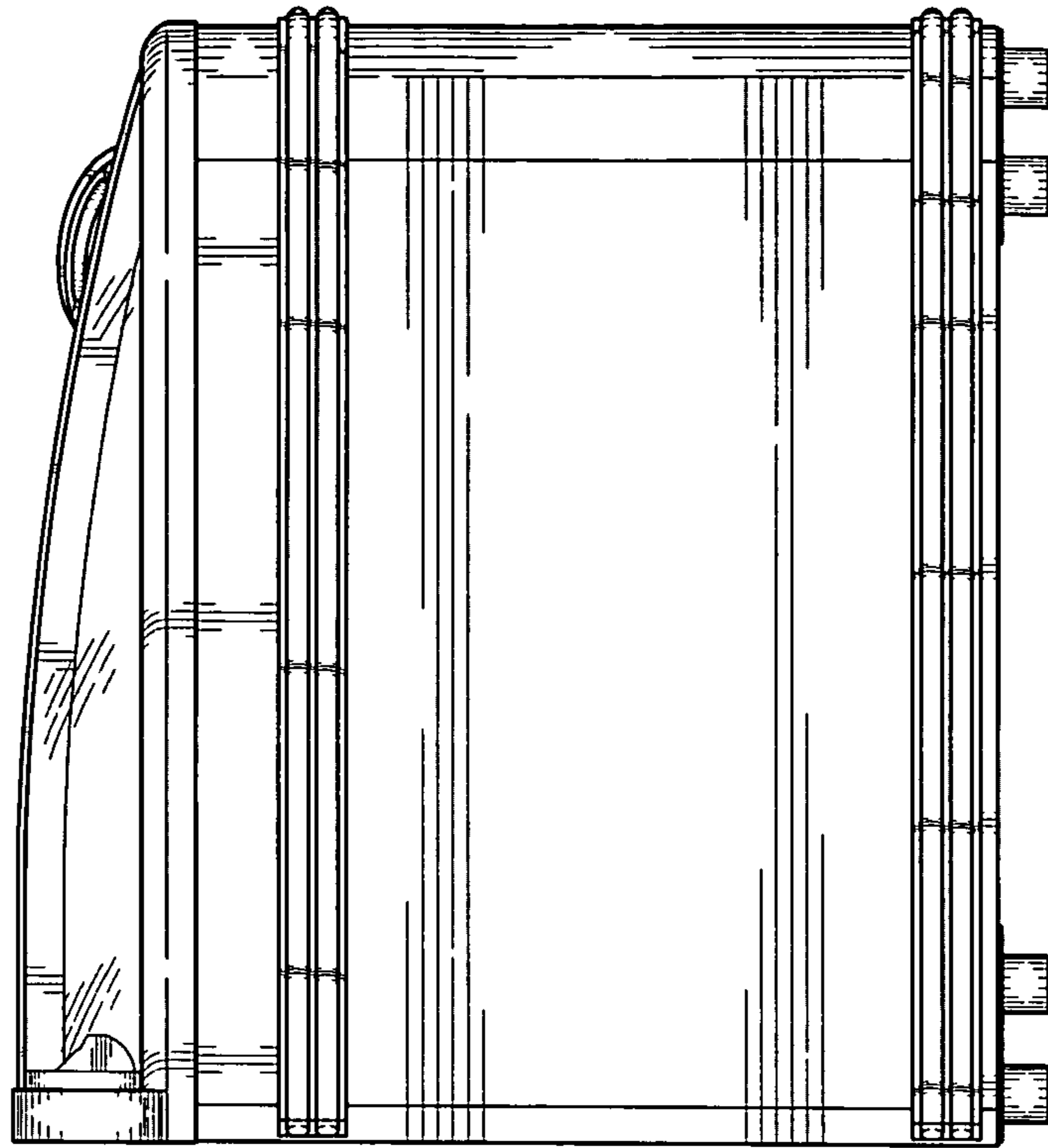


FIG. 5

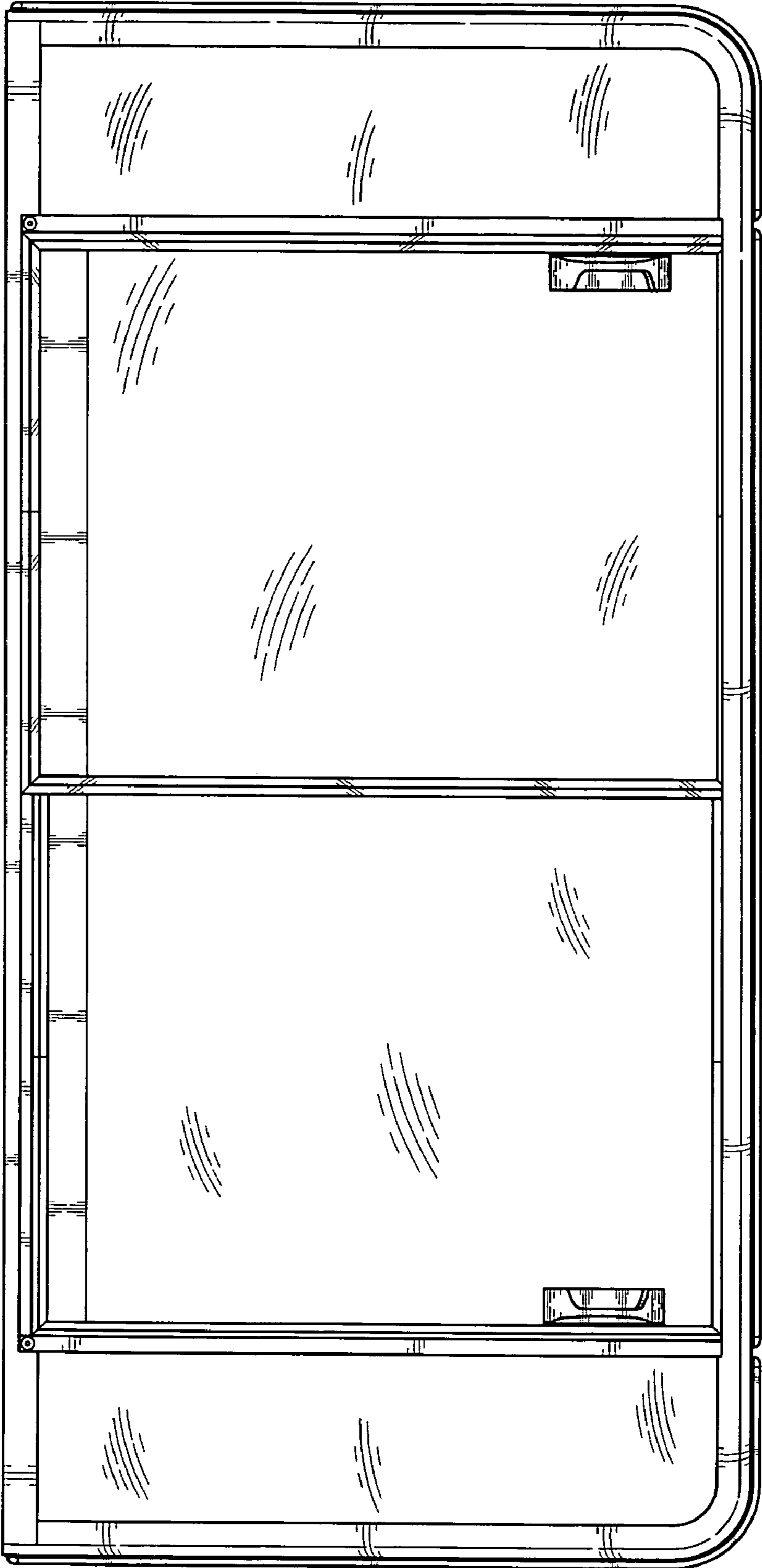


FIG. 6

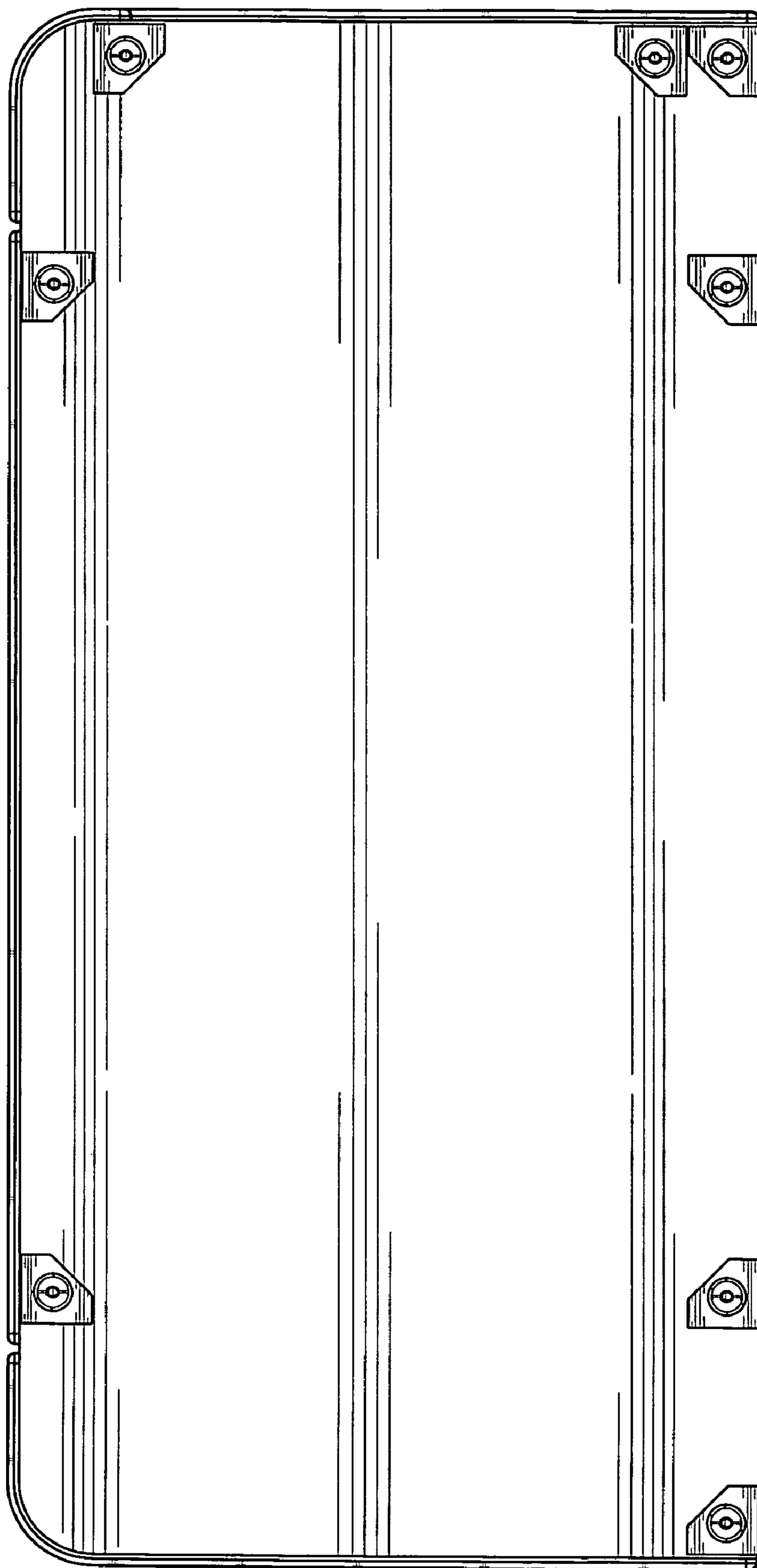


FIG. 7

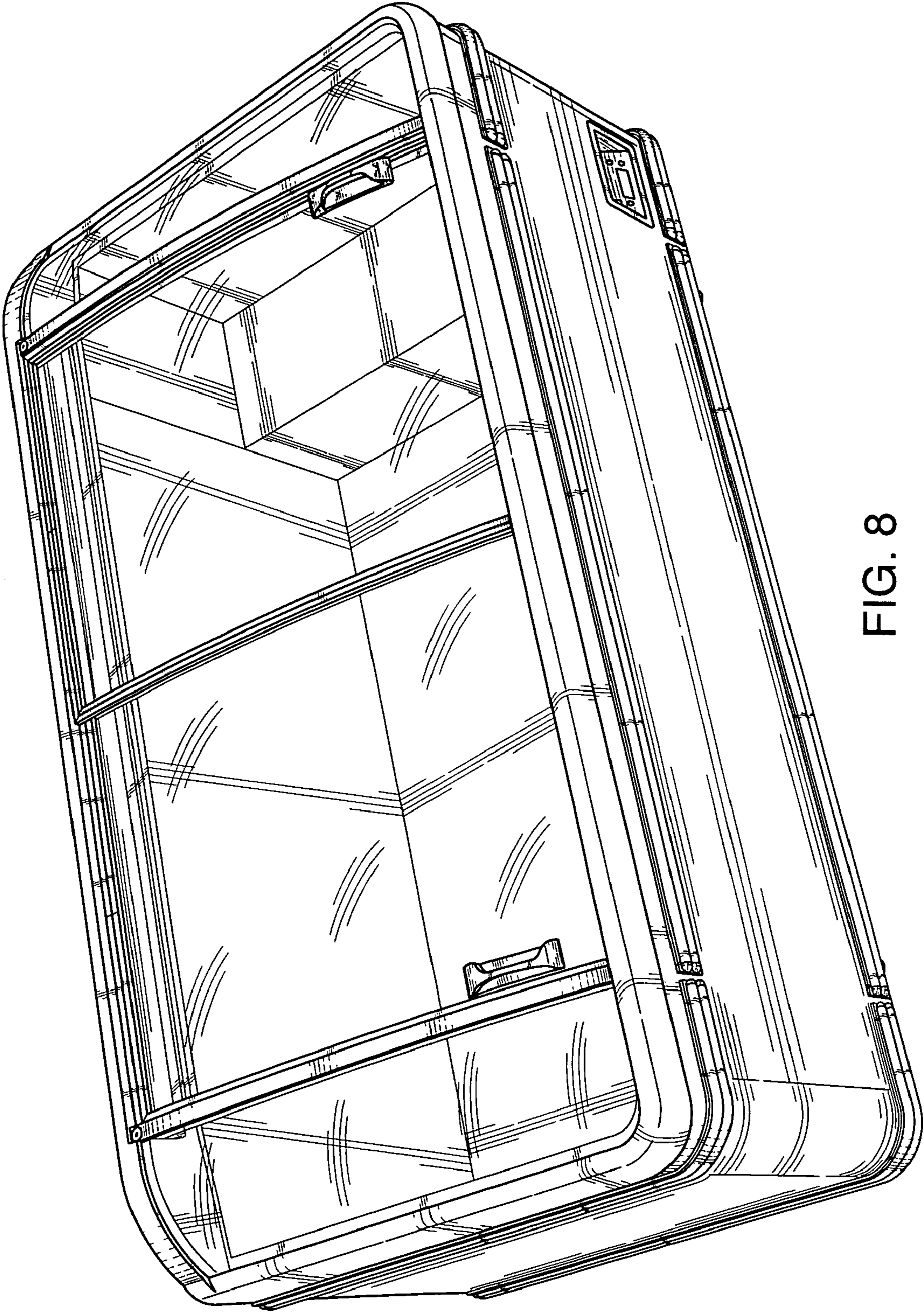


FIG. 8

UNITED STATES PATENT AND TRADEMARK OFFICE
CERTIFICATE OF CORRECTION

PATENT NO. : Des. 607,474 S
APPLICATION NO. : 29/294702
DATED : January 5, 2010
INVENTOR(S) : Johann Pacher

Page 1 of 1

It is certified that error appears in the above-identified patent and that said Letters Patent is hereby corrected as shown below:

On the title page, item (30) Foreign Application Priority Data should read

(30) Foreign Application Priority Data

July 26, 2007 (EM)000765409-0002

Signed and Sealed this

Eighteenth Day of May, 2010



David J. Kappos
Director of the United States Patent and Trademark Office