



US00D607462S

(12) **United States Design Patent**  
**Chen**

(10) **Patent No.:** **US D607,462 S**  
(45) **Date of Patent:** **\*\* Jan. 5, 2010**

(54) **PORTABLE STORAGE DEVICE**

(75) Inventor: **Chu-Chou Chen**, Taipei (TW)

(73) Assignee: **A-Data Technology (Suzhou) Co, Ltd.**  
(CN)

(\*\*) Term: **14 Years**

(21) Appl. No.: **29/332,530**

(22) Filed: **Feb. 18, 2009**

(30) **Foreign Application Priority Data**

Aug. 25, 2008 (CN) ..... 2008 3 0184525

(51) **LOC (9) Cl.** ..... **14-99**

(52) **U.S. Cl.** ..... **D14/480.5**

(58) **Field of Classification Search** ..... D14/411,  
D14/433, 435.1, 436, 137, 155, 167, 168,  
D14/203.1-203.8, 240, 242, 299, 480.1-480.7,  
D14/484.1; D3/203, 273; D13/107, 108,  
D13/149, 184; 710/300, 301; 439/131, 135-147  
See application file for complete search history.

(56) **References Cited**

**U.S. PATENT DOCUMENTS**

D104,711 S \* 5/1937 Weston ..... D13/103  
D317,310 S \* 6/1991 Schwartz ..... D14/218  
D486,788 S \* 2/2004 Riede ..... D13/108  
D496,653 S \* 9/2004 Townsend et al. .... D14/240  
D511,770 S \* 11/2005 Chung ..... D14/240  
D520,996 S \* 5/2006 Deng ..... D14/480.5

D567,239 S \* 4/2008 Perrier et al. .... D14/356  
D572,248 S \* 7/2008 Jen ..... D14/358  
D601,569 S \* 10/2009 Landry et al. .... D14/480.5  
2007/0161365 A1 \* 7/2007 Chen ..... 455/347

**OTHER PUBLICATIONS**

Biometric USB Flash Drive, [online], [retrieved on Nov. 6, 2006].  
Retrieved from the Internet <URL: [http://img.alibaba.com/photo/11361682/BUFD\\_C1\\_Chip\\_Sensor\\_Type\\_Biometric\\_USB\\_Flash\\_Drive.jpg](http://img.alibaba.com/photo/11361682/BUFD_C1_Chip_Sensor_Type_Biometric_USB_Flash_Drive.jpg)>.\*

\* cited by examiner

*Primary Examiner*—Cathron C Brooks

*Assistant Examiner*—Karen E Kearney

(74) *Attorney, Agent, or Firm*—Knobbe Martens Olson & Bear, LLP

(57) **CLAIM**

The ornamental design for a portable storage device, as shown and described.

**DESCRIPTION**

FIG. 1 is a perspective view of a portable storage device showing my new design;

FIG. 2 is a front view thereof;

FIG. 3 is a rear view thereof;

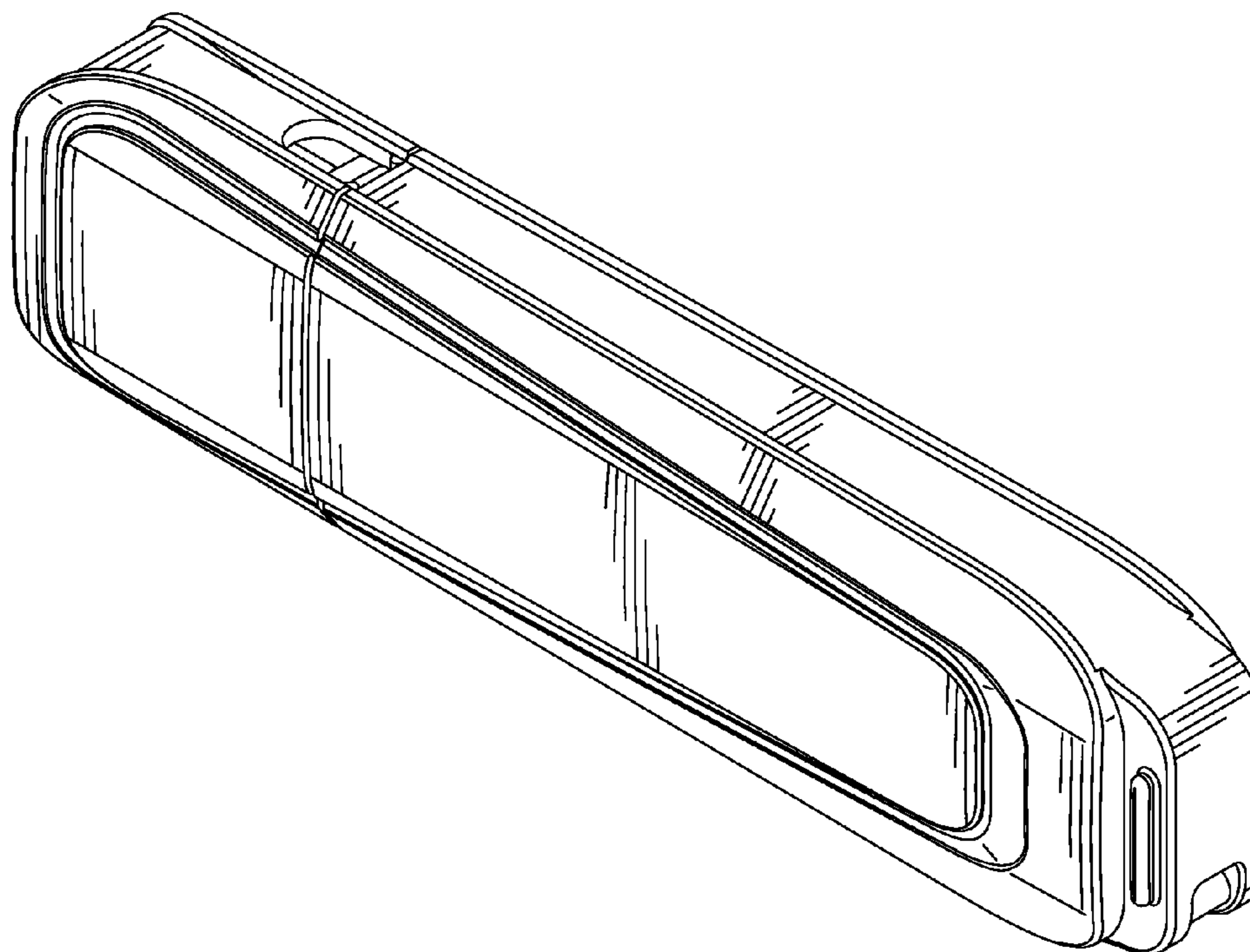
FIG. 4 is a left side view thereof;

FIG. 5 is a right side view thereof;

FIG. 6 is a top plan view thereof; and,

FIG. 7 is a bottom plan view thereof.

**1 Claim, 4 Drawing Sheets**



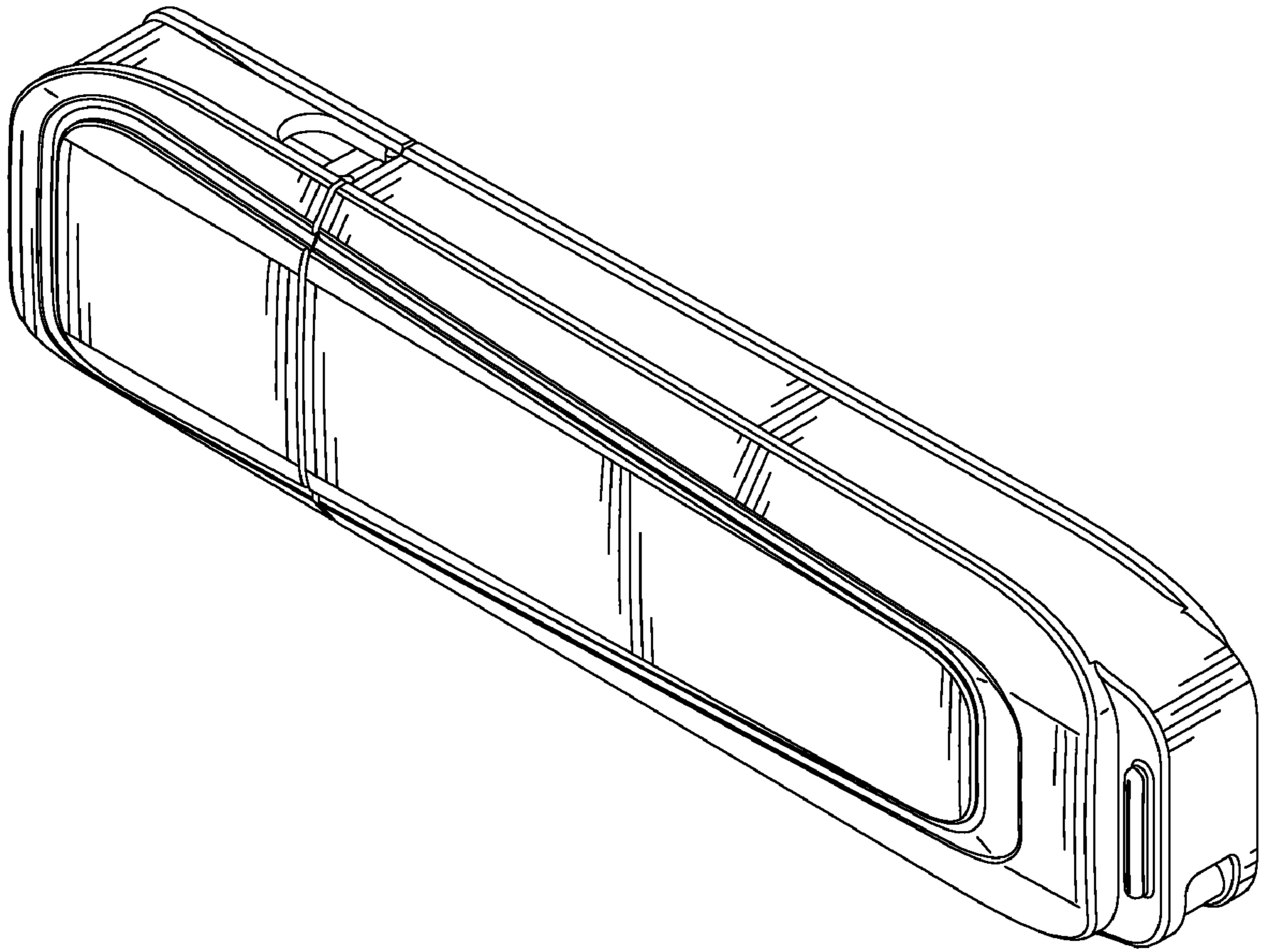


FIG. 1

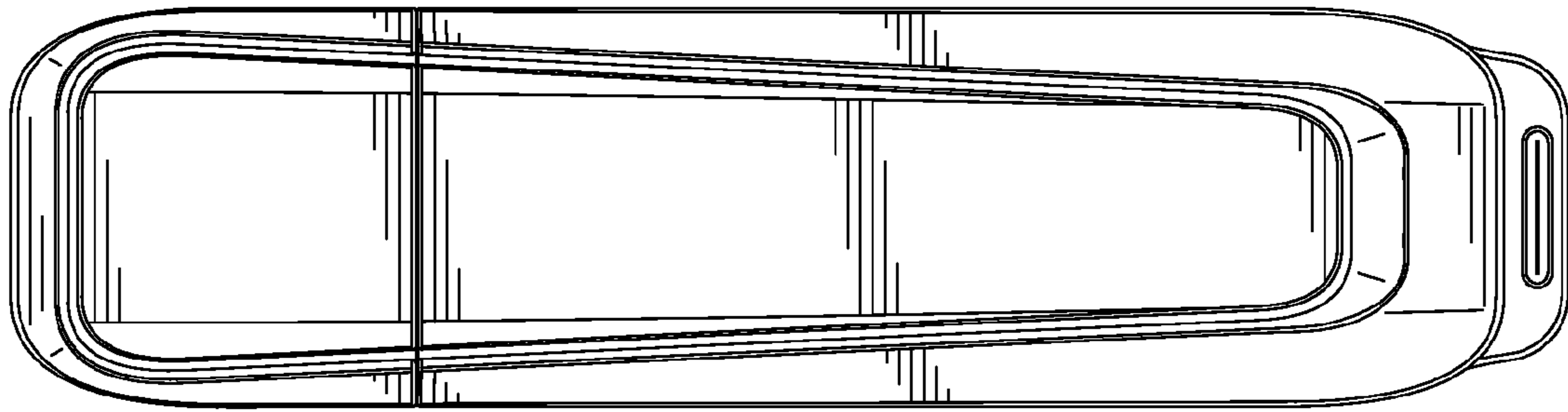


FIG. 2

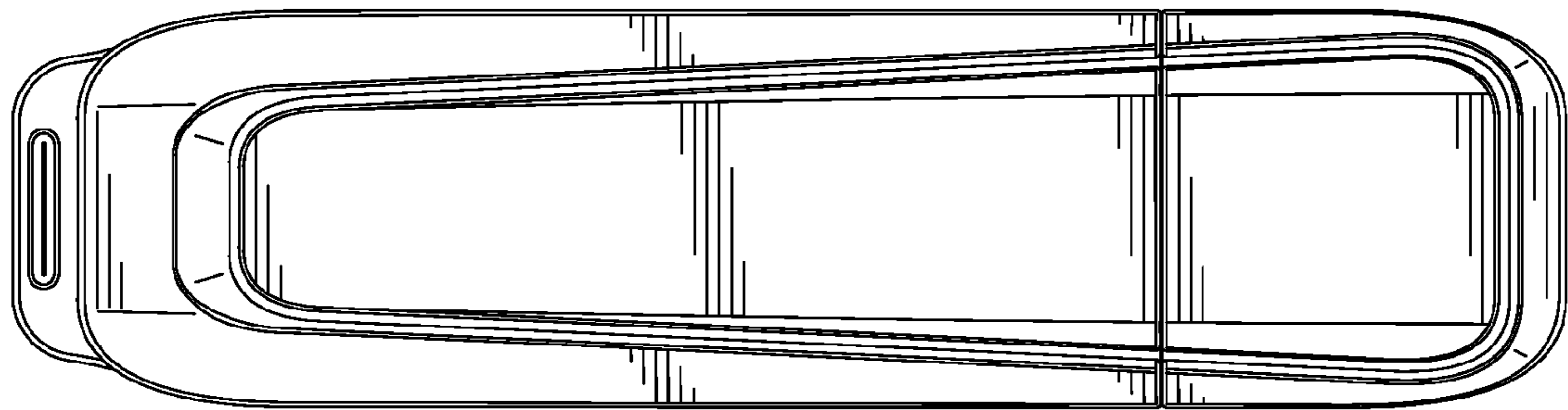


FIG. 3

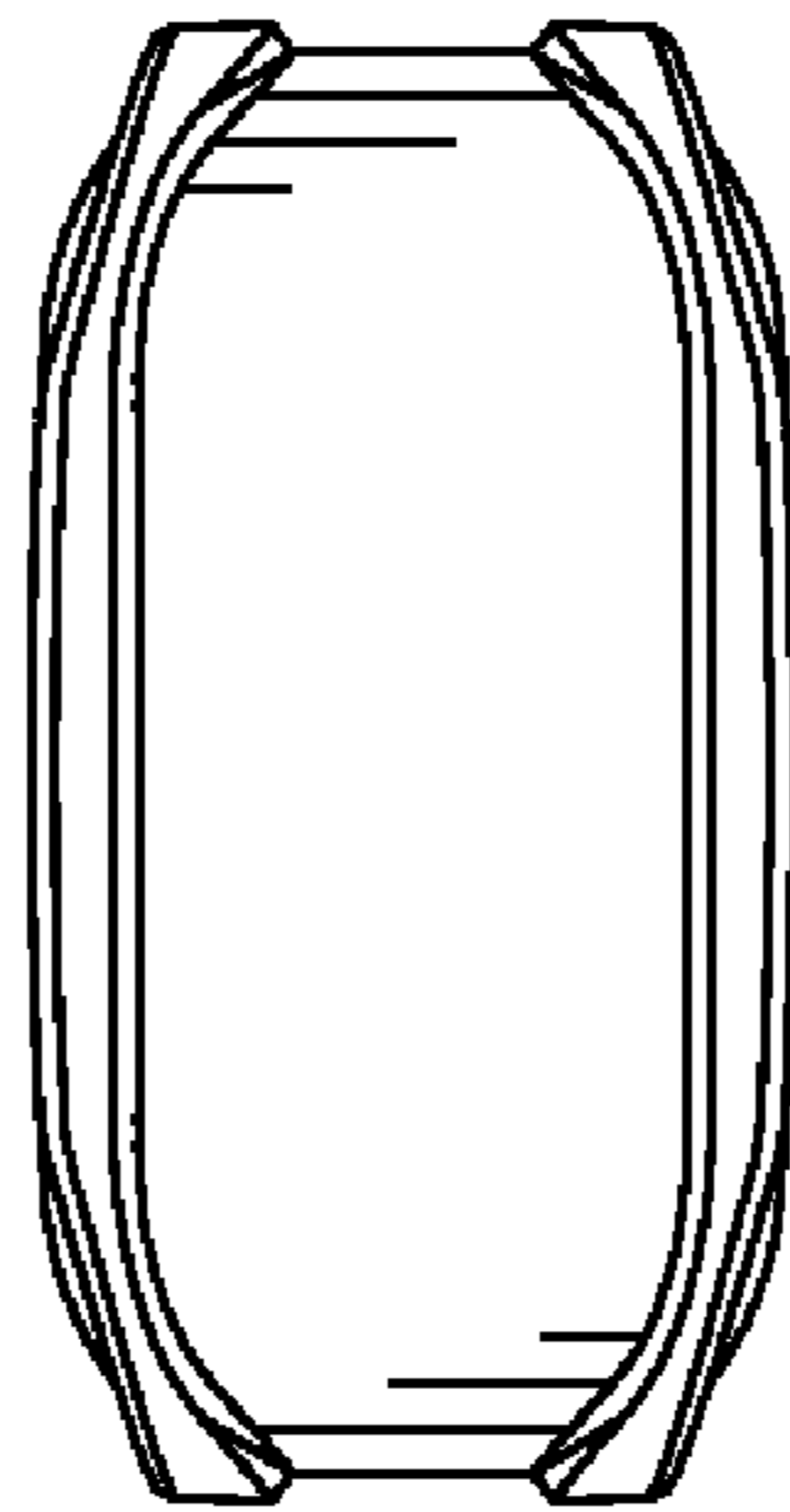


FIG. 4

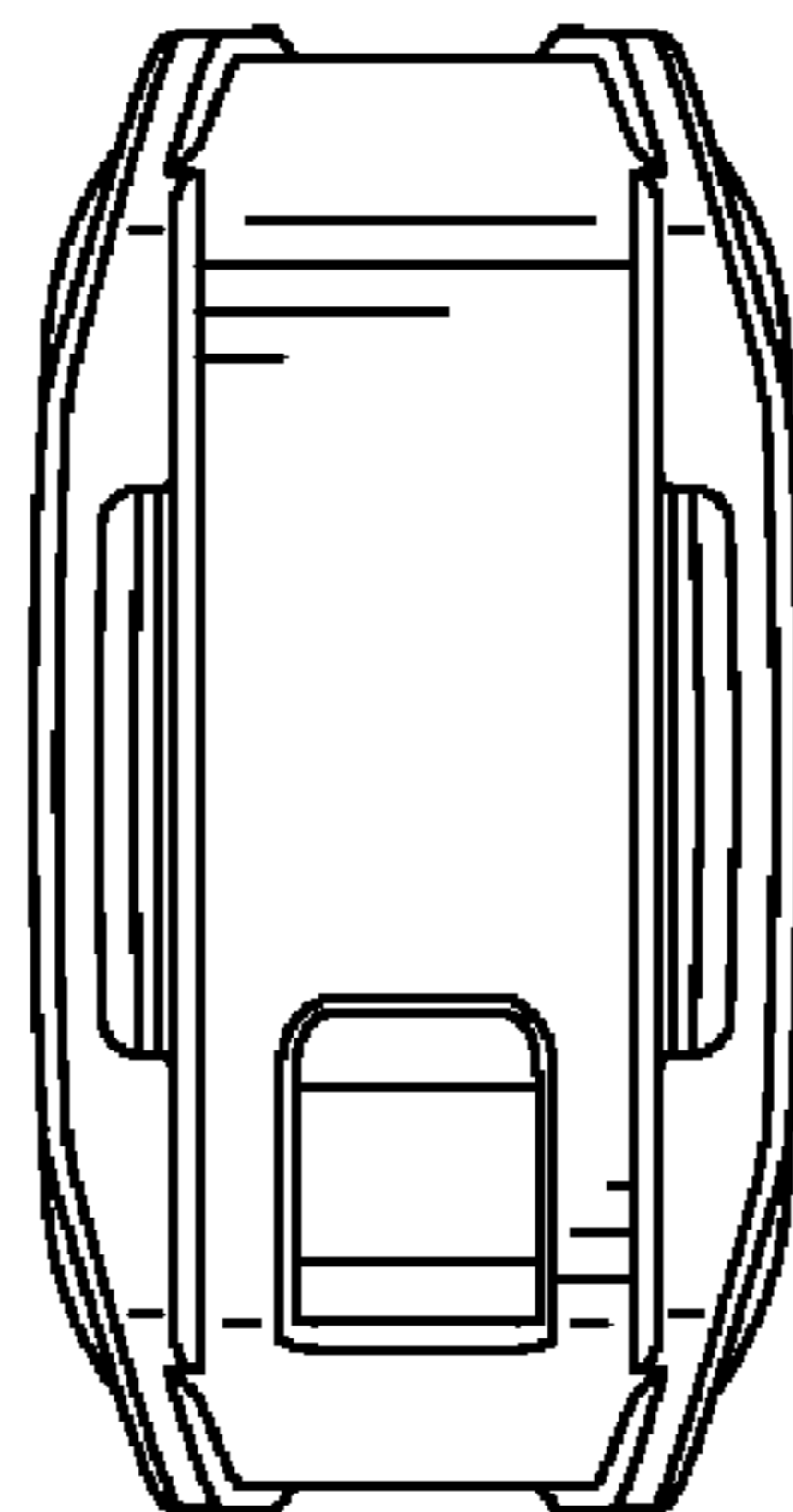


FIG. 5

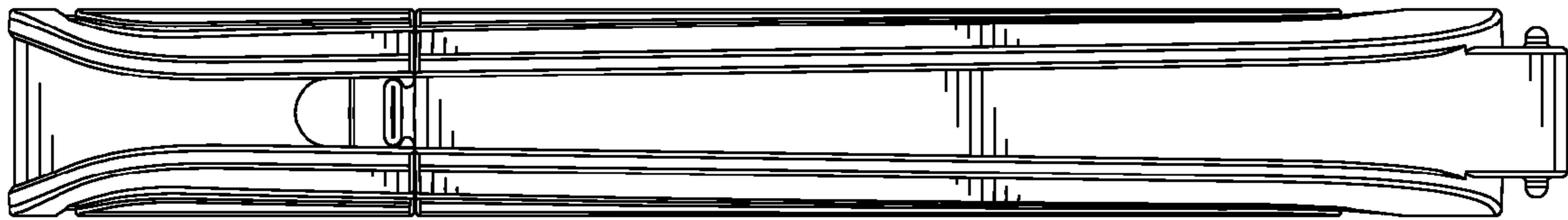


FIG. 6

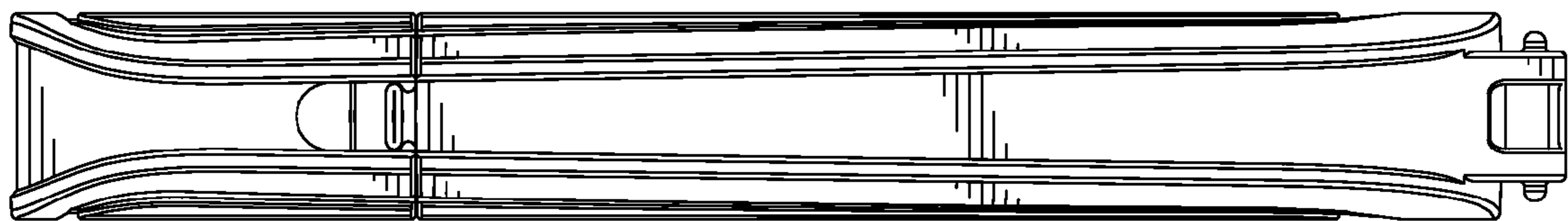


FIG. 7