

US00D607461S

(12) **United States Design Patent**
Wang

(10) **Patent No.:** **US D607,461 S**
(45) **Date of Patent:** **** Jan. 5, 2010**

(54) **KEY CAP**

(76) **Inventor:** **Min-Hsueh Wang**, 8F, No. 161, Hsin Yi Road, Panchiao, Taipei Hsien (TW)

(**) **Term:** **14 Years**

(21) **Appl. No.:** **29/274,341**

(22) **Filed:** **Apr. 18, 2007**

(30) **Foreign Application Priority Data**

Oct. 19, 2006 (TW) 95305729

(51) **LOC (9) Cl.** **14-02**

(52) **U.S. Cl.** **D14/456**

(58) **Field of Classification Search** D14/454, D14/455, 456, 320, 331, 333, 334, 335, 338, D14/339, 340, 341, 342, 345, 346, 347, 387, D14/390, 391, 392, 393, 394, 395, 396, 397, D14/398, 150, 247, 248, 900, 901, 902, 402, D14/406, 426, 432, 439, 453, 457, 137, 138, D14/218, 315, 327; D13/168; D18/12.2, D18/7, 52, 24, 25, 29, 1, 2; 235/145 R; 341/22, 341/27, 28; 345/168, 169, 170, 171, 172, 345/947, 948, 163; 379/368, 915, 433.07, 379/433.06; 400/109, 110, 111, 472, 484, 400/485, 486, 487, 490, 491, 492, 494; 455/550.1, 455/556.2, 186.2, 575.1

See application file for complete search history.

(56) **References Cited**

U.S. PATENT DOCUMENTS

4,827,243 A * 5/1989 Cheng 341/22
D358,382 S * 5/1995 Franz D14/456
6,171,003 B1 * 1/2001 Lo 400/495

D525,980 S * 8/2006 Wang et al. D14/456
7,138,587 B2 * 11/2006 Nishino et al. 200/5 A
2003/0052863 A1 * 3/2003 Hsia 345/168
2003/0095106 A1 * 5/2003 Wang et al. 345/168
2003/0190182 A1 * 10/2003 Huang 400/490
2004/0125000 A1 * 7/2004 Lee 341/22
2004/0190969 A1 * 9/2004 Huang 400/490
2005/0093721 A1 * 5/2005 Shipman 341/22
2006/0146026 A1 * 7/2006 Shim 345/168
2008/0131184 A1 * 6/2008 Brown et al. 400/490

* cited by examiner

Primary Examiner—Jennifer Rivard

Assistant Examiner—Angela J Lee

(74) *Attorney, Agent, or Firm*—Ming Chow; Sinorica, LLC

(57) **CLAIM**

The ornamental design for a key cap, as shown and described.

DESCRIPTION

The patent or application file contains at least one drawing executed in color. Copies of this patent or patent application publication with color drawing(s) will be provided by the office upon request and payment of the necessary fee.

FIG. 1 is a perspective view of a key cap showing my design;

FIG. 2 is a front elevational view thereof;

FIG. 3 is a right side elevational view thereof;

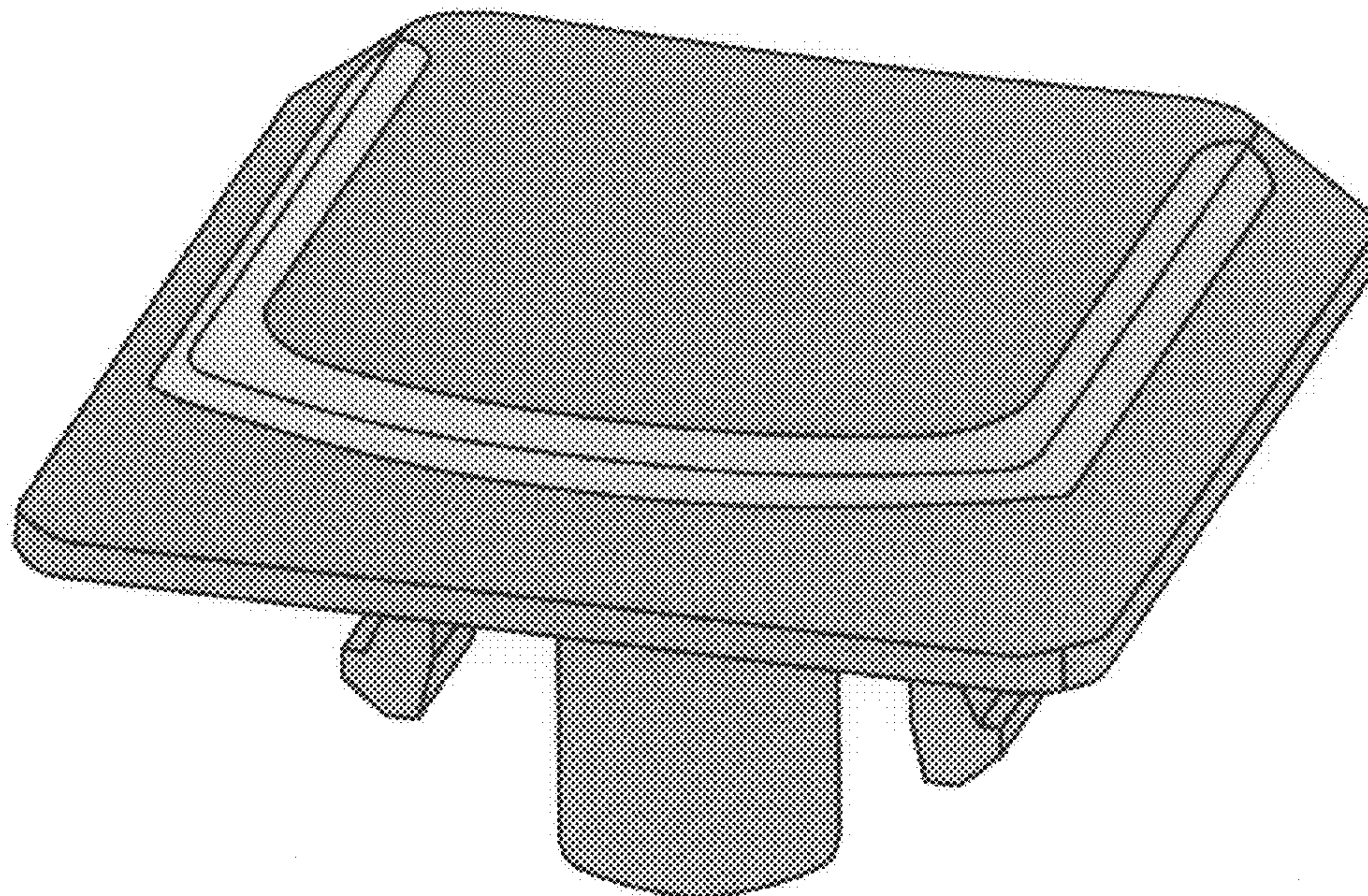
FIG. 4 is a top plan view thereof;

FIG. 5 is a rear elevational view thereof;

FIG. 6 is a left elevational view thereof; and,

FIG. 7 is a bottom plan view thereof.

1 Claim, 5 Drawing Sheets
(5 of 5 Drawing Sheet(s) Filed in Color)



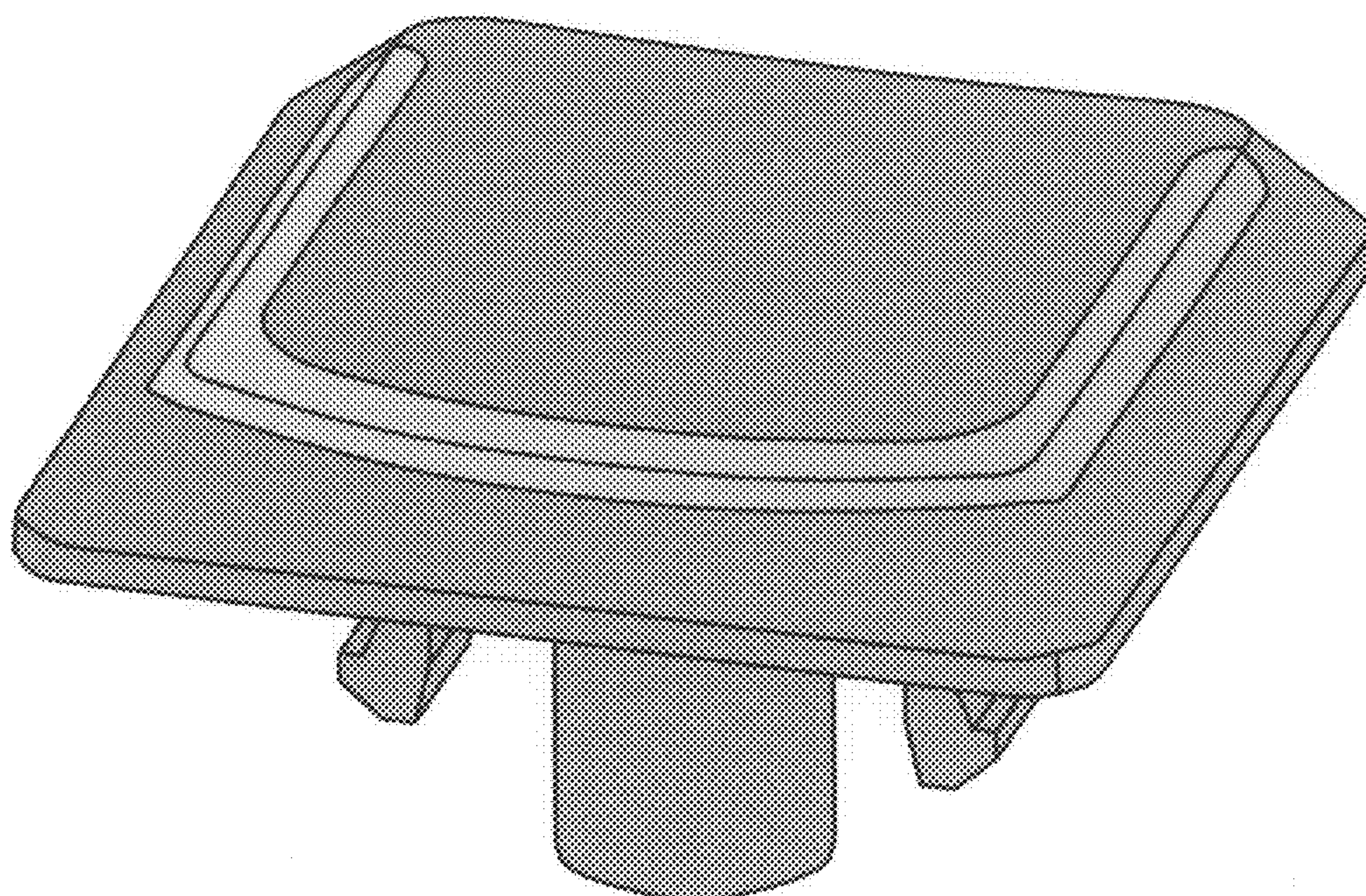


FIG. 1

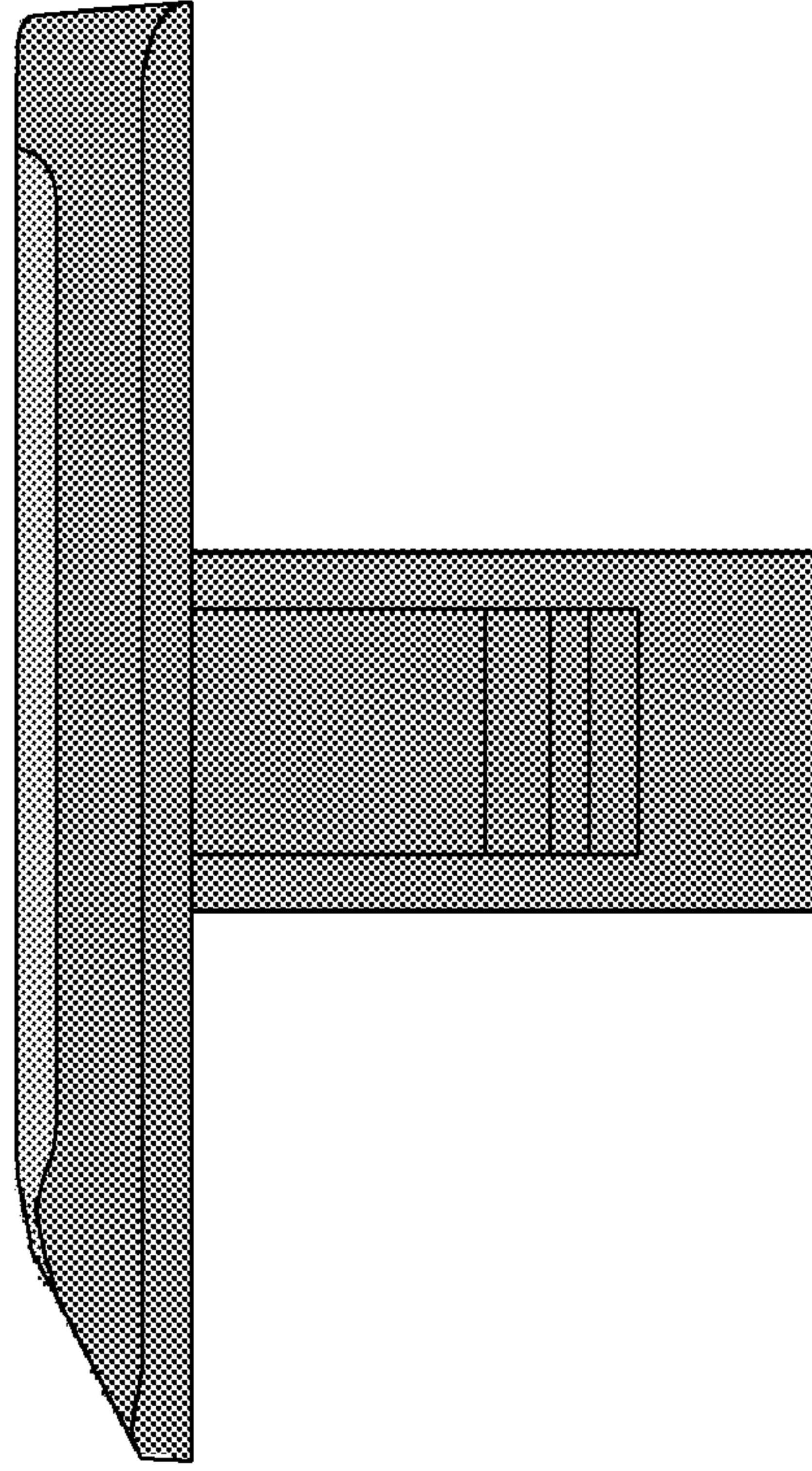


FIG. 3

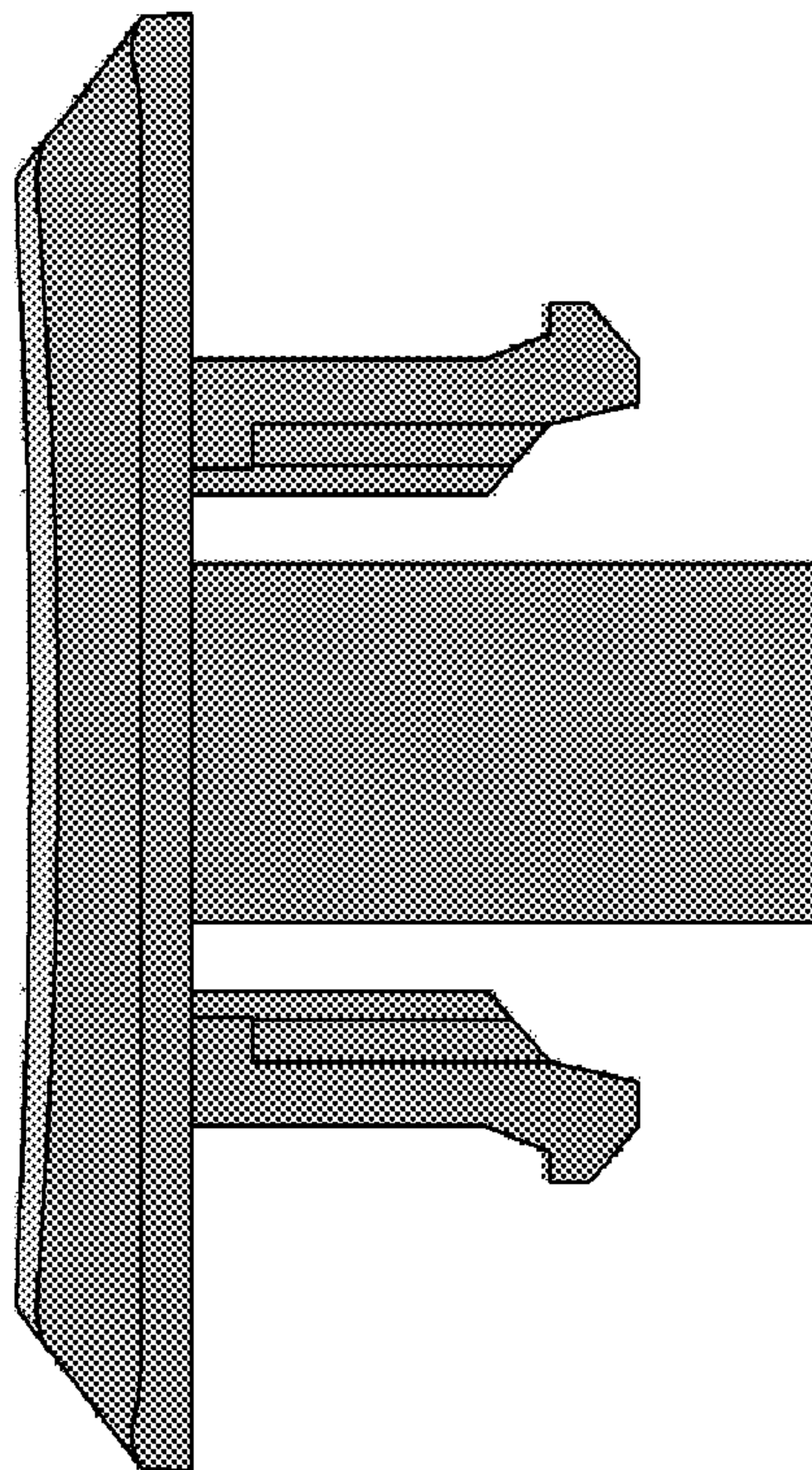


FIG. 2

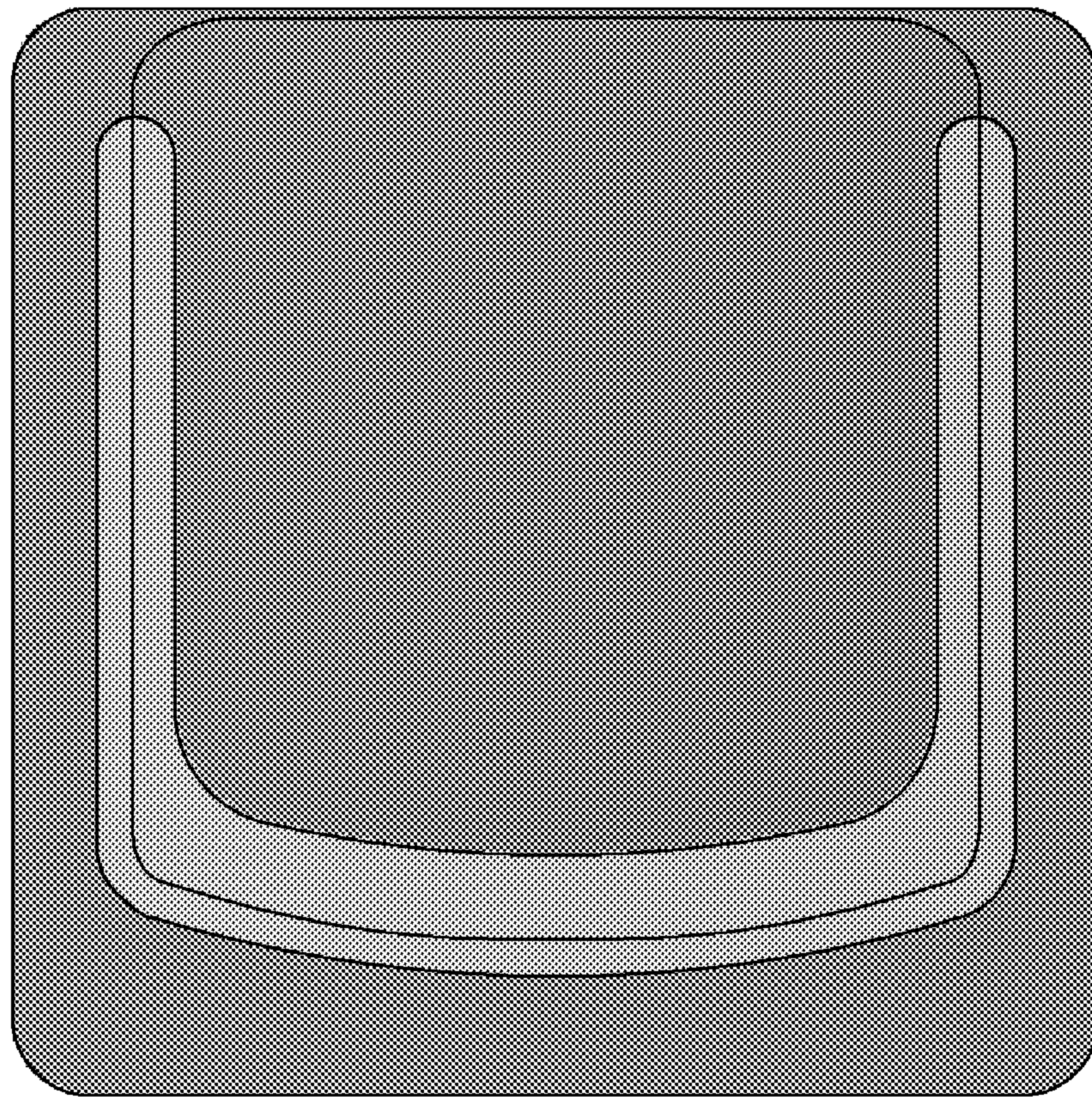


FIG. 4

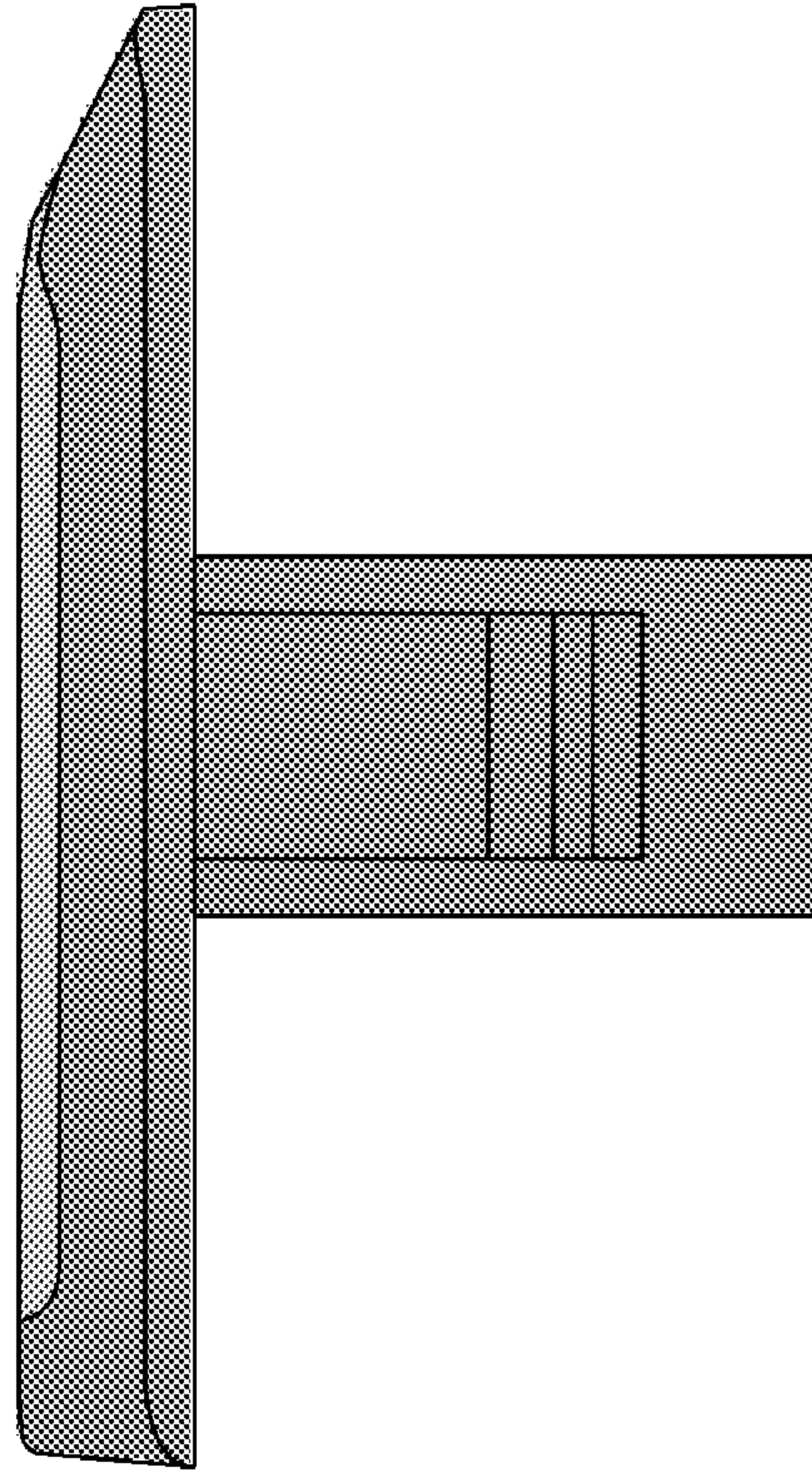


FIG. 6

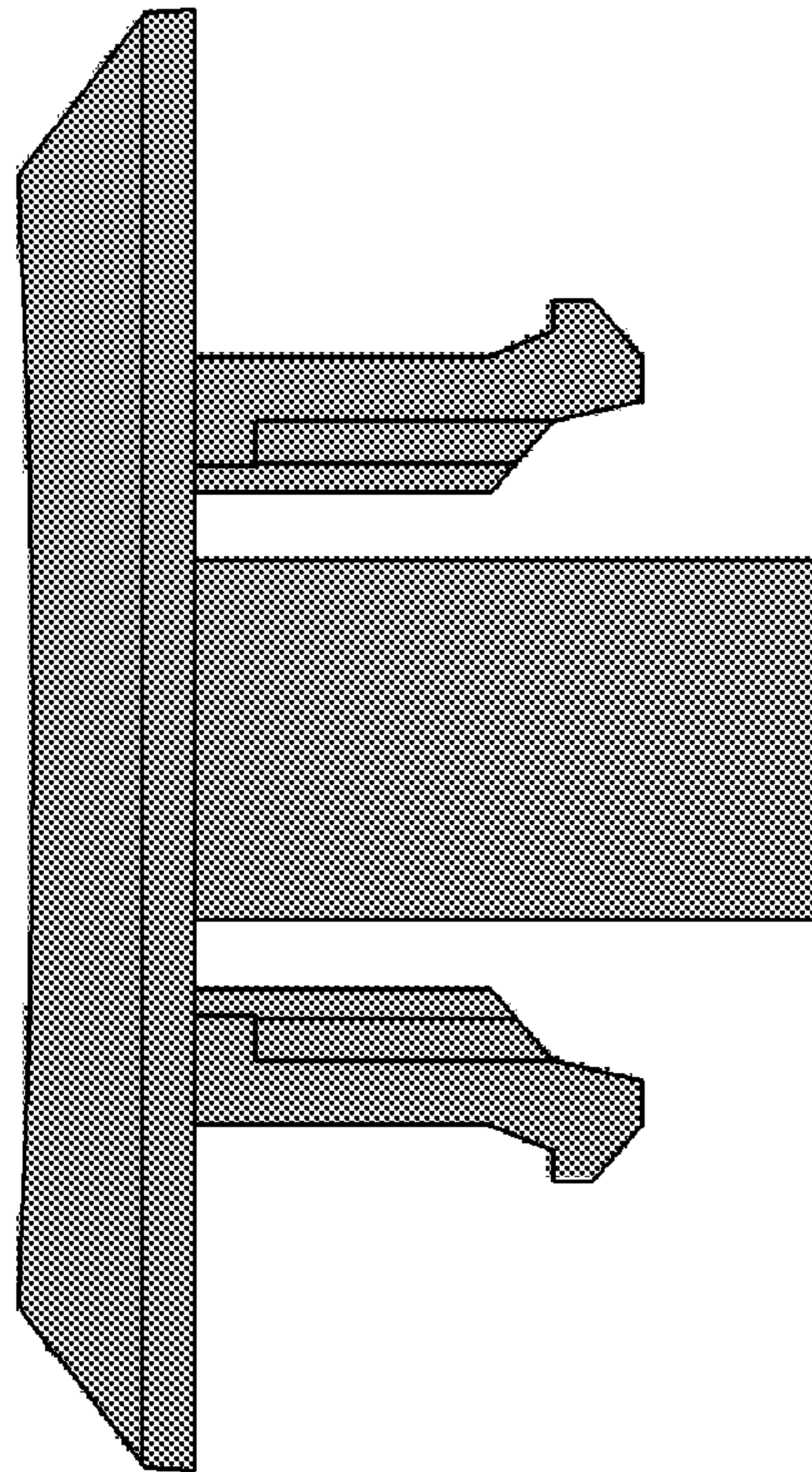


FIG. 5

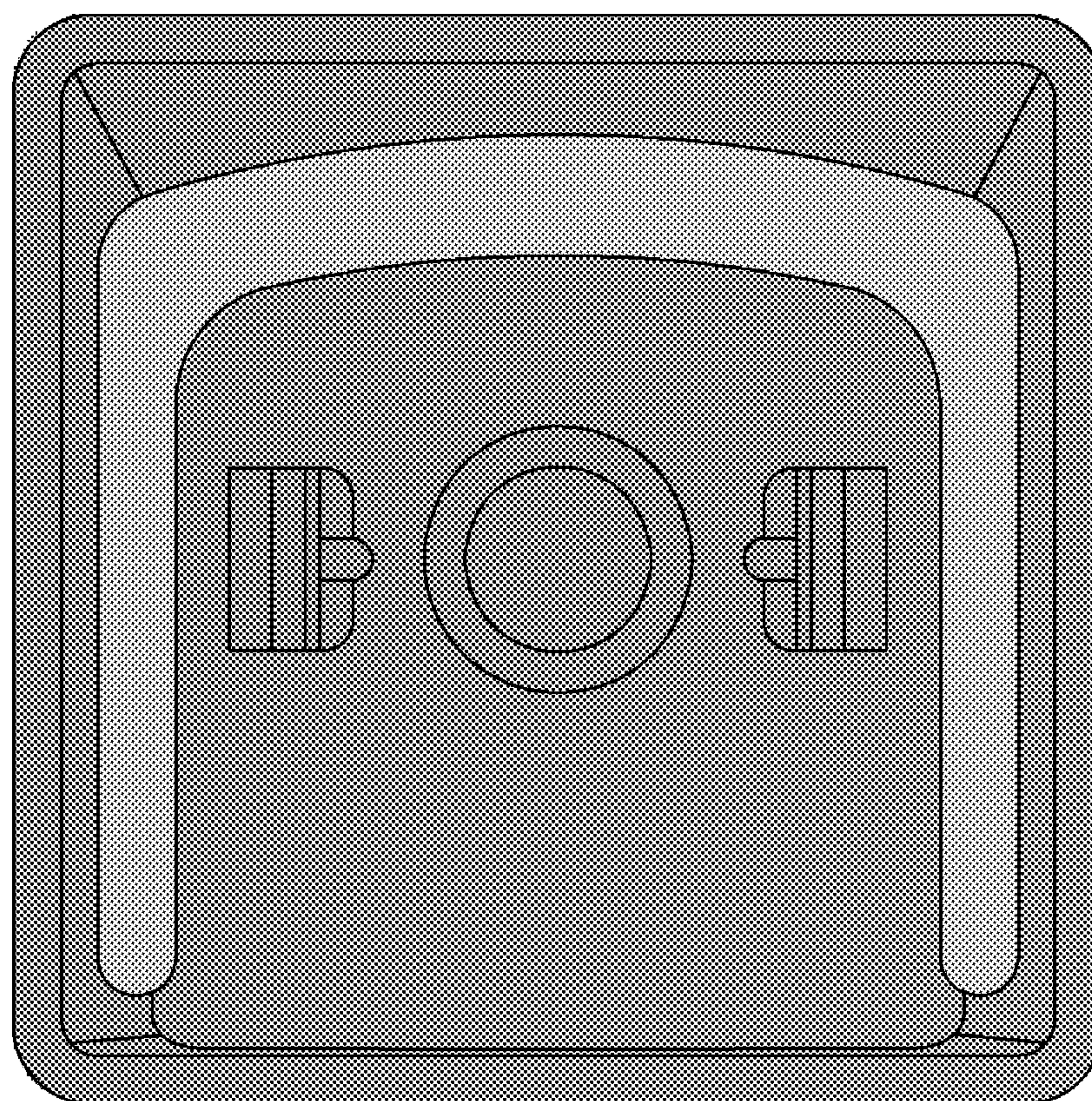


FIG. 7