



US00D607460S

(12) **United States Design Patent**
Morishita et al.

(10) **Patent No.:** **US D607,460 S**
(45) **Date of Patent:** **** Jan. 5, 2010**

(54) **PERSONAL COMPUTER**

(75) Inventors: **Akiyo Morishita**, Tokyo (JP); **Kazuhiro Fujiwara**, Fuchu (JP)

(73) Assignee: **Fujitsu Limited**, Kawasaki (JP)

(**) Term: **14 Years**

(21) Appl. No.: **29/311,458**

(22) Filed: **Mar. 20, 2009**

(30) **Foreign Application Priority Data**

Sep. 24, 2008 (JP) 2008-024335

(51) **LOC (9) Cl.** **14-02**

(52) **U.S. Cl.** **D14/455; D14/318**

(58) **Field of Classification Search** D14/391–399,
D14/315, 327, 341–345, 331, 130; D18/1,
D18/2, 7, 11; 178/17 A, 17 C; 345/102,
345/104, 156, 163, 168; 341/22, 23; 361/680–686,
361/679.11, 679.27, 679.06, 679.08; 400/486,
400/489

See application file for complete search history.

(56) **References Cited**

U.S. PATENT DOCUMENTS

- 6,323,902 B1 * 11/2001 Ishikawa 348/373
- D480,079 S * 9/2003 Miao et al. D14/315
- 6,735,698 B1 * 5/2004 Callam 726/35
- D491,175 S * 6/2004 Shimano D14/318
- D491,934 S * 6/2004 Shimano et al. D14/318
- 6,771,494 B2 * 8/2004 Shimano 361/679.06
- D496,033 S * 9/2004 Kanayama D14/318
- 6,894,894 B2 * 5/2005 Zarek et al. 361/679.08

- D516,079 S * 2/2006 Solomon et al. D14/455
- D518,042 S * 3/2006 Kanayama D14/318
- D565,045 S * 3/2008 Wu et al. D14/318
- D577,013 S * 9/2008 Harris et al. D14/317
- D586,799 S * 2/2009 Gluskoter et al. D14/315

* cited by examiner

Primary Examiner—Freda S Nunn

(74) *Attorney, Agent, or Firm*—Staas & Halsey LLP

(57) **CLAIM**

The ornamental design for a personal computer, as shown and described.

DESCRIPTION

FIG. 1 is a perspective view of top, front and right side of a personal computer showing our new design;

FIG. 2 is a top plan view thereof;

FIG. 3 is a front view thereof;

FIG. 4 is a rear view thereof;

FIG. 5 is a left side view thereof;

FIG. 6 is a right side view thereof;

FIG. 7 is a bottom view thereof;

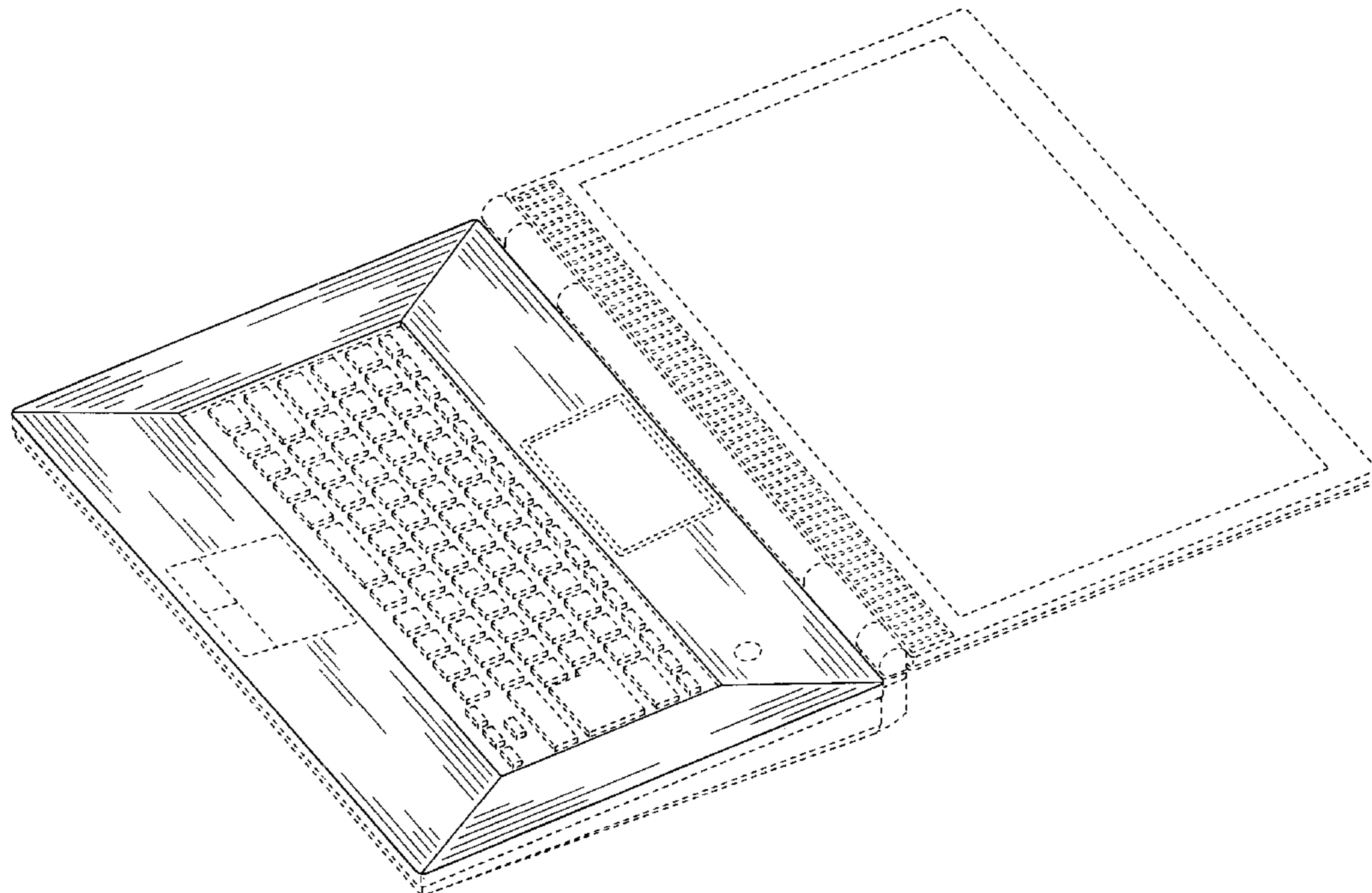
FIG. 8 is a cross sectional end view thereof taken along line 8—8 and shown omitting interior mechanism thereof;

FIG. 9 is a cross sectional end view thereof taken along line 9—9 and shown omitting interior mechanism thereof; and,

FIG. 10 is a perspective view with the lid in closed condition thereof.

Broken lines shown in the drawings illustrate portions of the personal computer, and form no part of the claimed design.

1 Claim, 7 Drawing Sheets



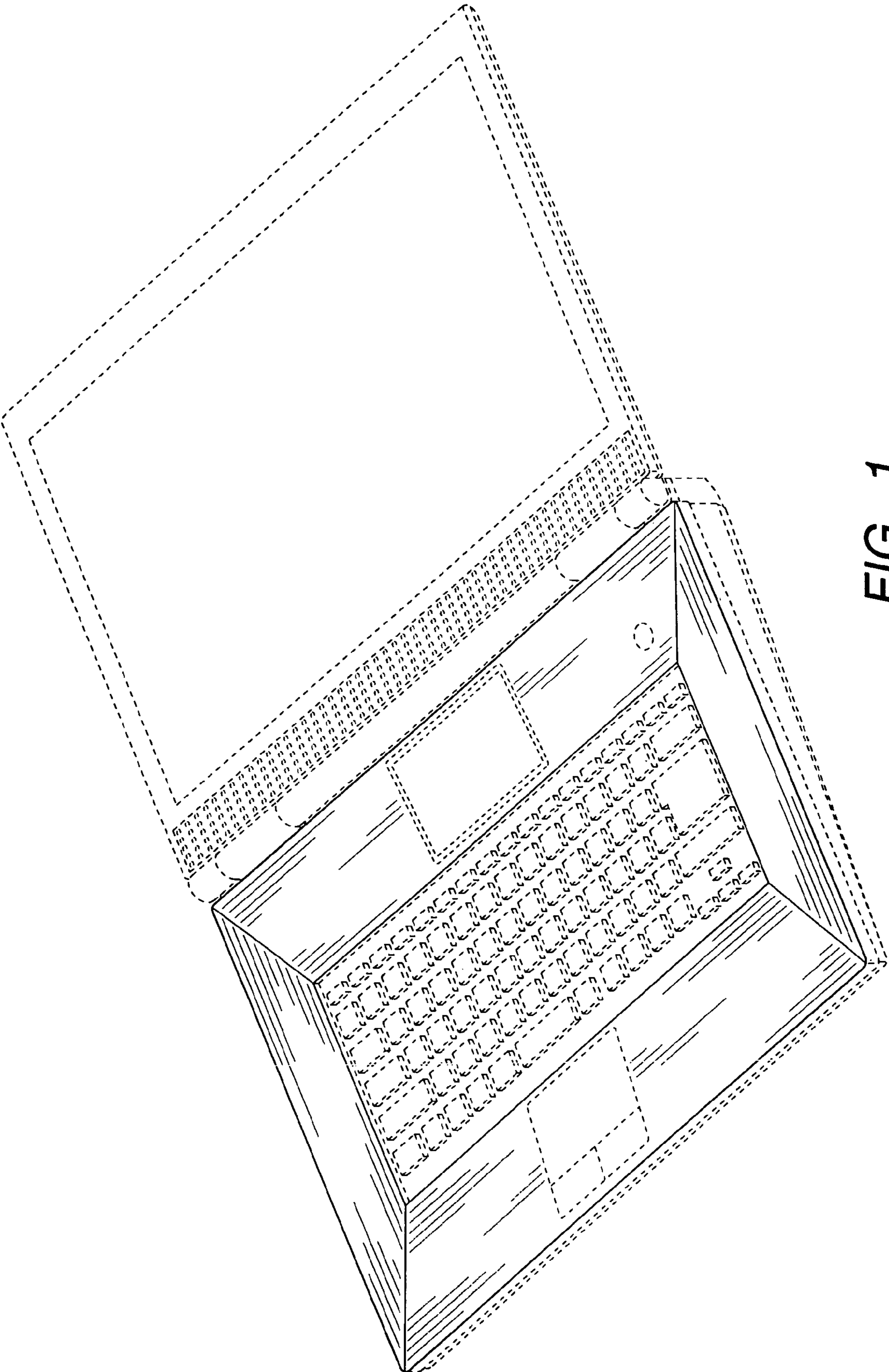


FIG. 1

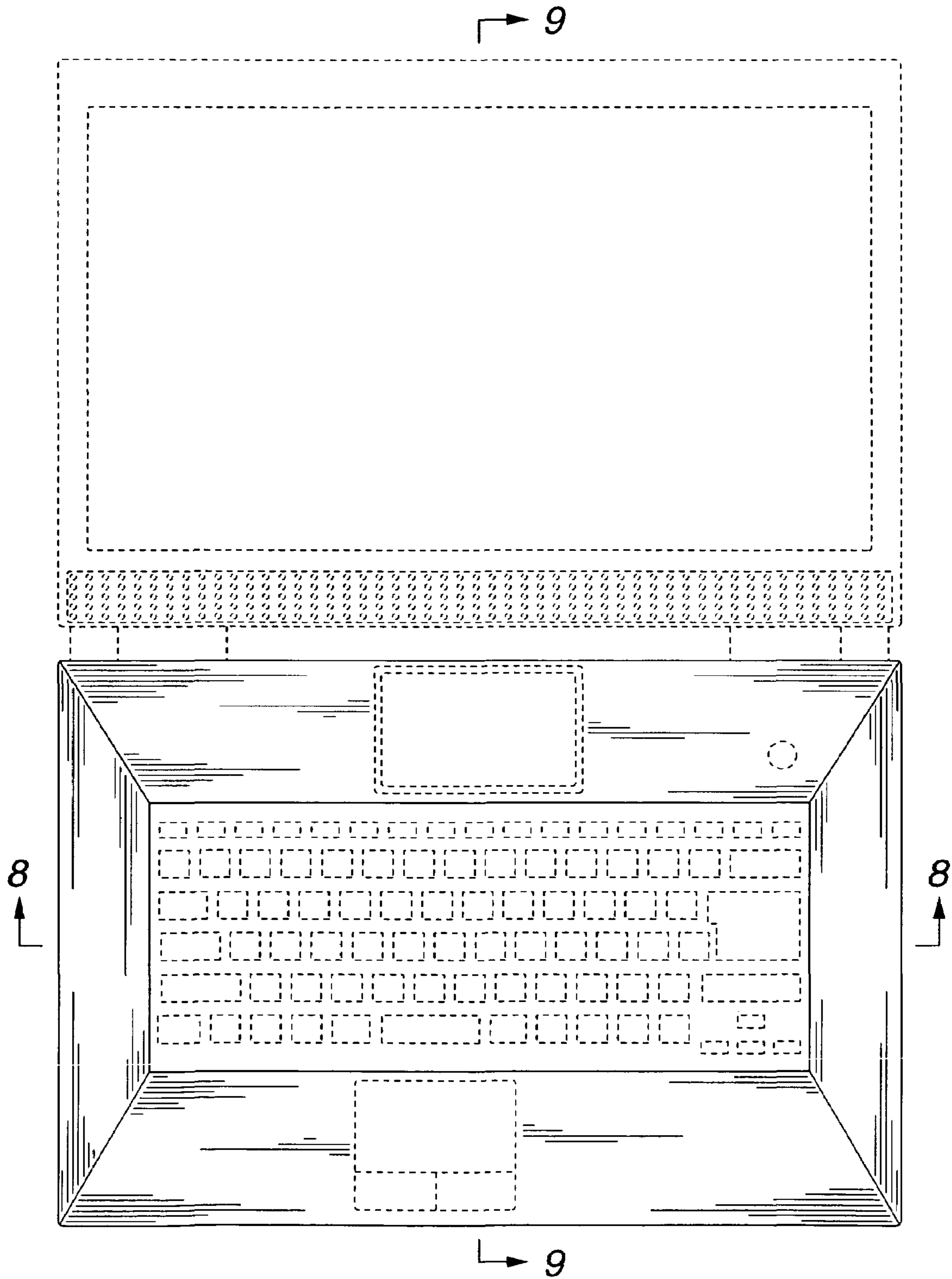


FIG. 2

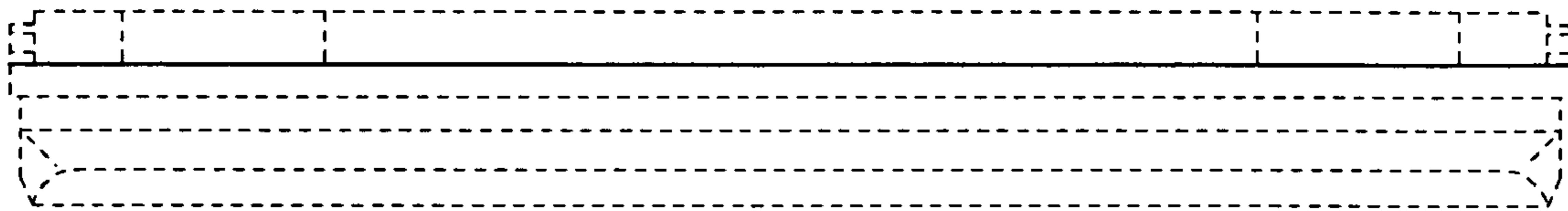


FIG. 3

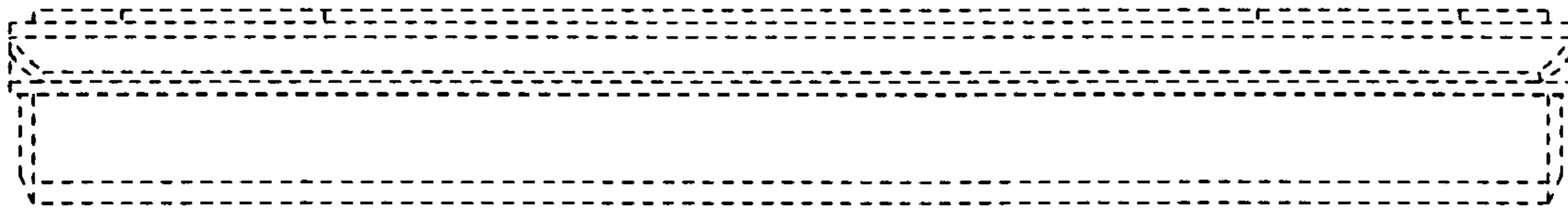


FIG. 4

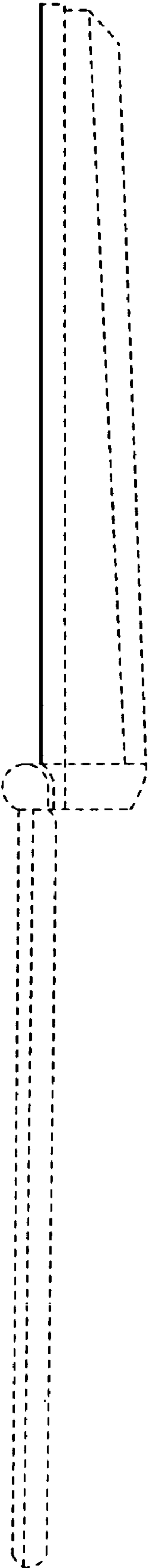


FIG. 5

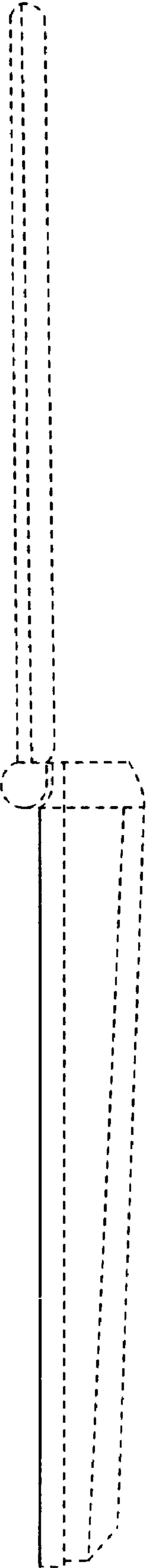


FIG. 6

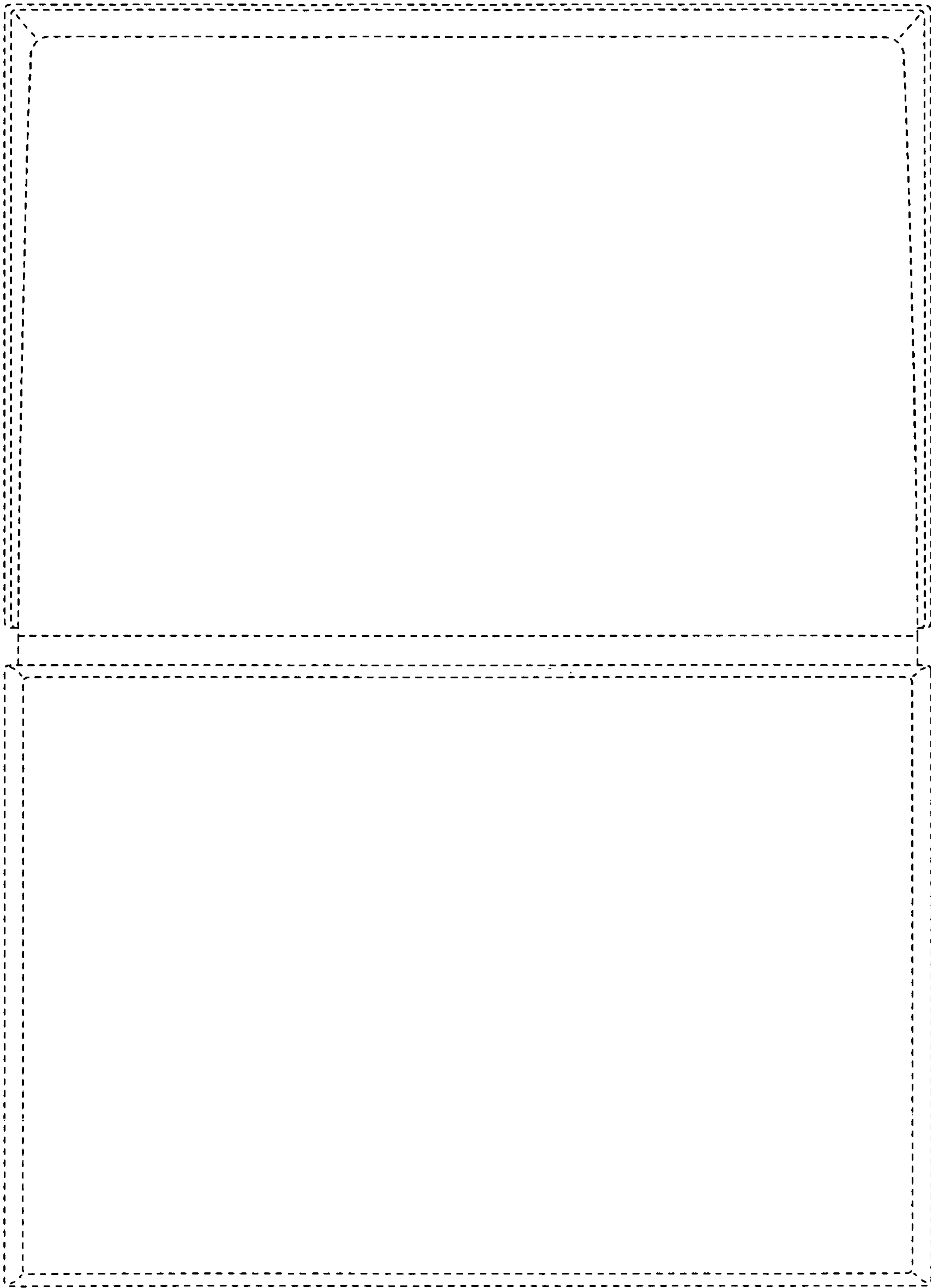


FIG. 7

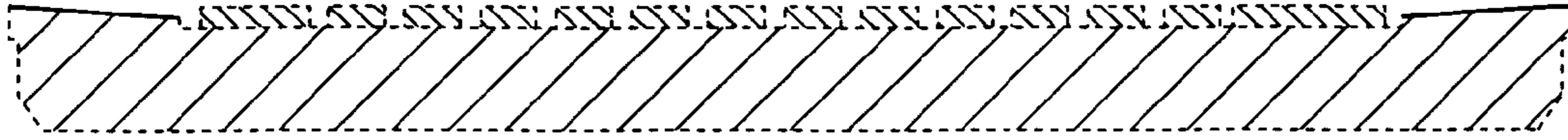


FIG. 8

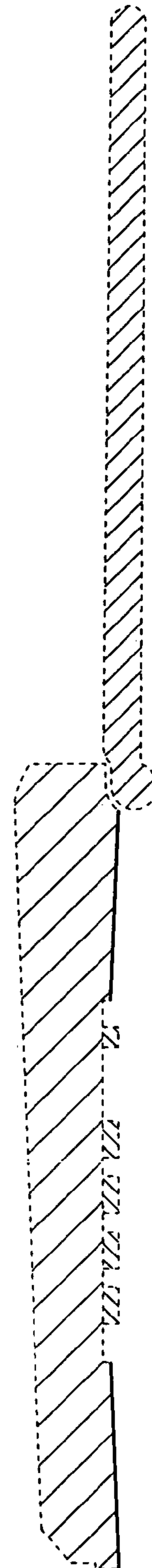


FIG. 9

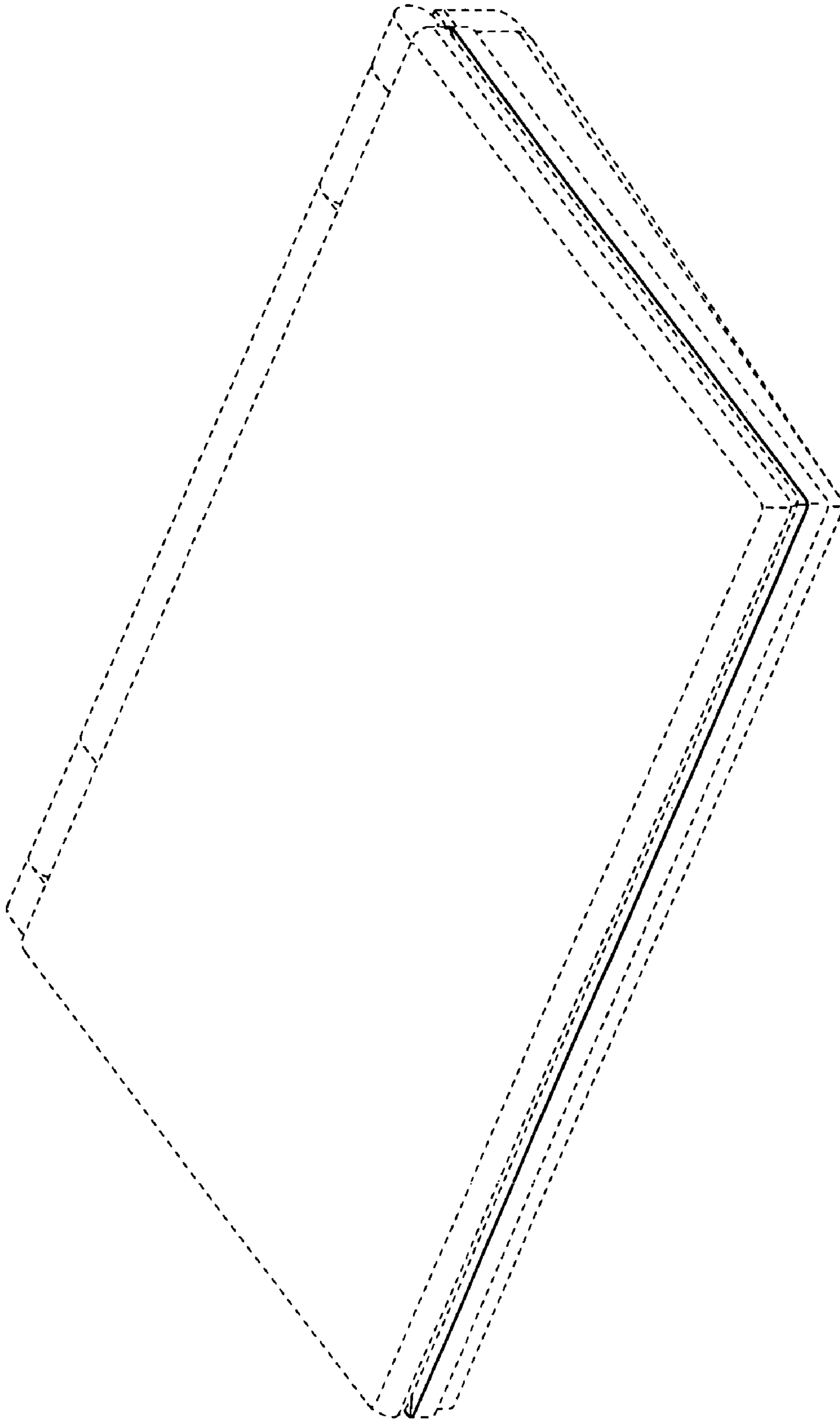


FIG. 10