



US00D607457S

(12) **United States Design Patent**
Hui et al.

(10) **Patent No.:** **US D607,457 S**
(45) **Date of Patent:** **** Jan. 5, 2010**

(54) **MINIATURE PERSONAL COMPUTER BASE WITH VIDEO SCREEN**

2003/0236102 A1* 12/2003 Kawai et al. 455/550.1
2004/0174137 A1* 9/2004 Kim et al. 320/114
2006/0266903 A1* 11/2006 Oddsen et al. 248/274.1

(75) Inventors: **Lap Shun Hui**, Chino, CA (US); **Chul Chung**, Chino, CA (US)

* cited by examiner

(73) Assignee: **Fugoo LLC**, Chino, CA (US)

Primary Examiner—Freda S Nunn

(**) Term: **14 Years**

(74) *Attorney, Agent, or Firm*—Drinker, Biddle & Reath, LLP

(21) Appl. No.: **29/315,033**

(57) **CLAIM**

(22) Filed: **May 20, 2009**

The ornamental design for a miniature personal computer base with video screen, as shown and described.

(51) **LOC (9) Cl.** **14-02**

DESCRIPTION

(52) **U.S. Cl.** **D14/434**; D14/300; D14/371

FIG. 1 is a perspective view showing a preferred embodiment of a miniature personal computer base with video screen showing our new design;

(58) **Field of Classification Search** D14/371–375,

FIG. 2 is a front side view of a preferred embodiment of the miniature personal computer of FIG. 1;

D14/125–129, 356, 300, 433, 434, 447, 448,

FIG. 3 is a rear side view of a preferred embodiment of the miniature personal computer of FIG. 1;

D14/451, 452; 248/917–924, 176.1, 278.1;

FIG. 4 is a top view of a preferred embodiment of the miniature personal computer of FIG. 1;

345/104, 156, 168, 173, 901–905; 361/680–686,

FIG. 5 is a bottom view of a preferred embodiment of the miniature personal computer of FIG. 1;

361/690–696; D9/617, 644, 645

See application file for complete search history.

FIG. 6 is a right side view of a preferred embodiment of the miniature personal computer of FIG. 1; and,

(56) **References Cited**

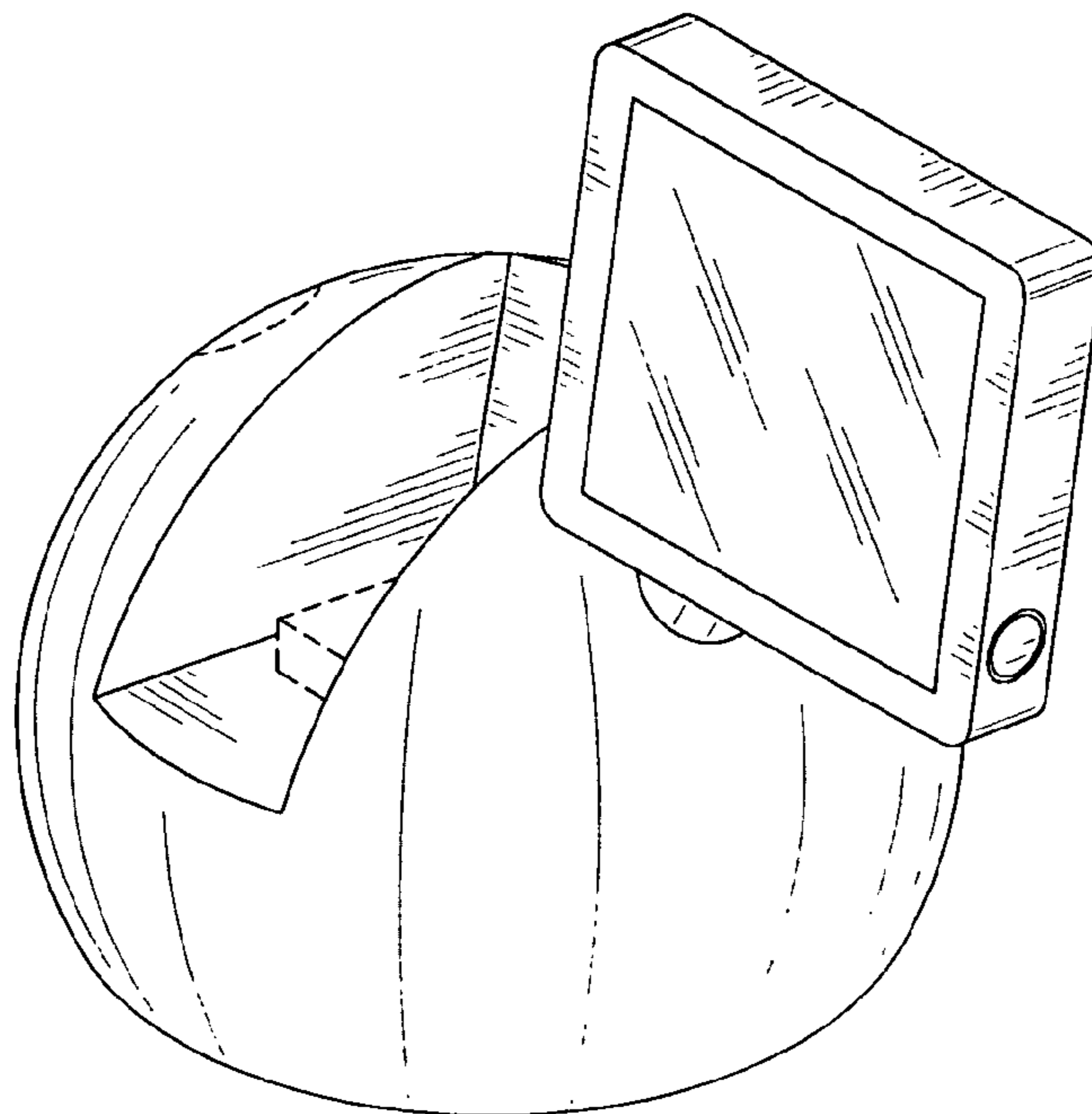
U.S. PATENT DOCUMENTS

D307,004 S *	4/1990	Azima	D14/337
5,179,447 A *	1/1993	Lain	348/837
D386,158 S *	11/1997	Rosen	D14/375
D393,853 S *	4/1998	Maas	D14/126
D412,899 S *	8/1999	Rosen	D14/132
D460,971 S *	7/2002	Sica et al.	D14/434
D461,190 S *	8/2002	Bell	D14/448
D474,464 S *	5/2003	Chiu	D14/371
D515,561 S *	2/2006	Sung	D14/300
D545,319 S *	6/2007	Griffin	D14/434
D586,347 S *	2/2009	Cheng	D14/433
2002/0188363 A1 *	12/2002	Ashy	700/94

FIG. 7 is a right side view of a preferred embodiment of the miniature personal computer of FIG. 1.

Broken lines shown in the drawings illustrate portions of the miniature personal computer base, and form no part of the claimed design.

1 Claim, 4 Drawing Sheets



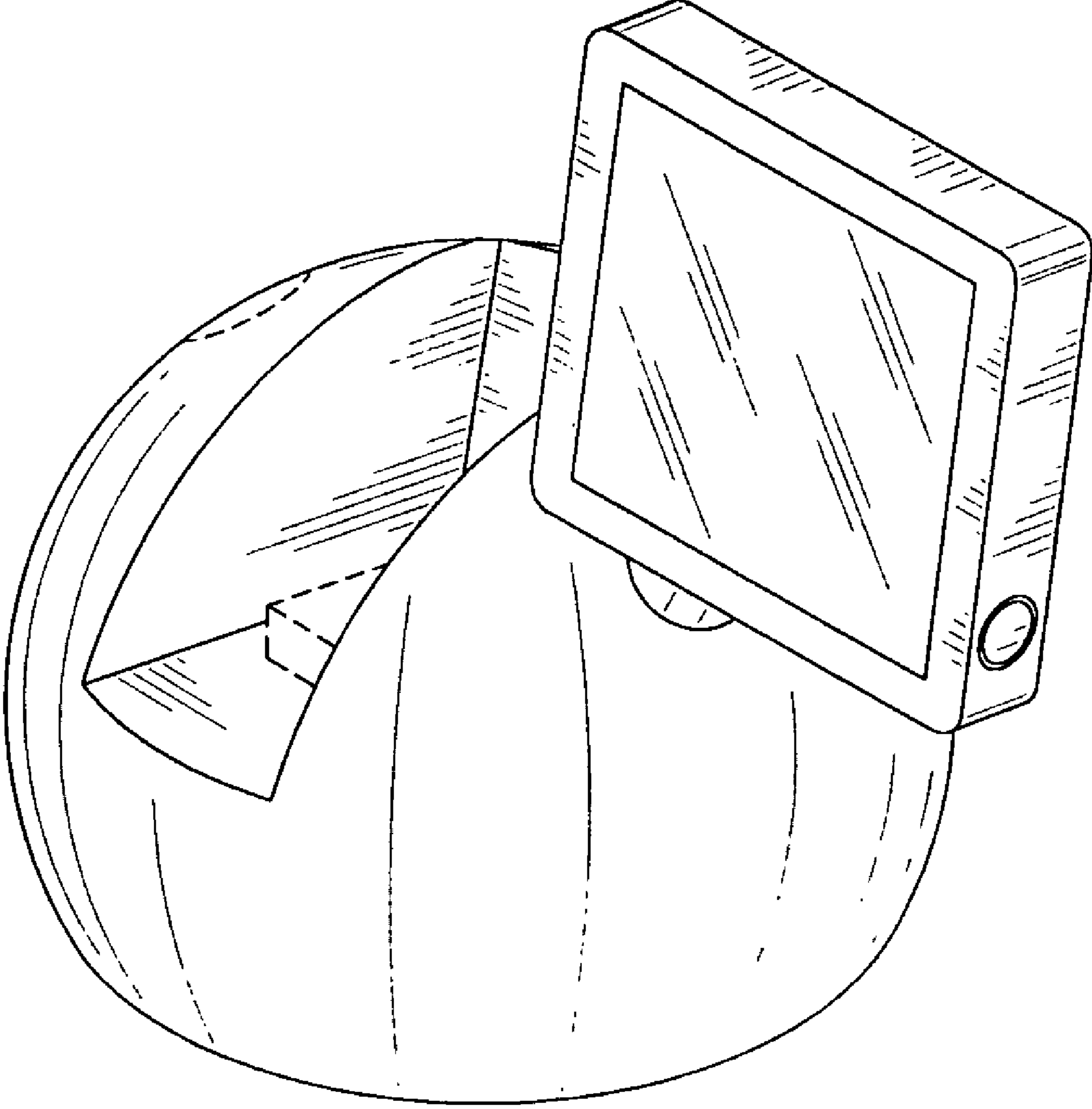


FIG. 1

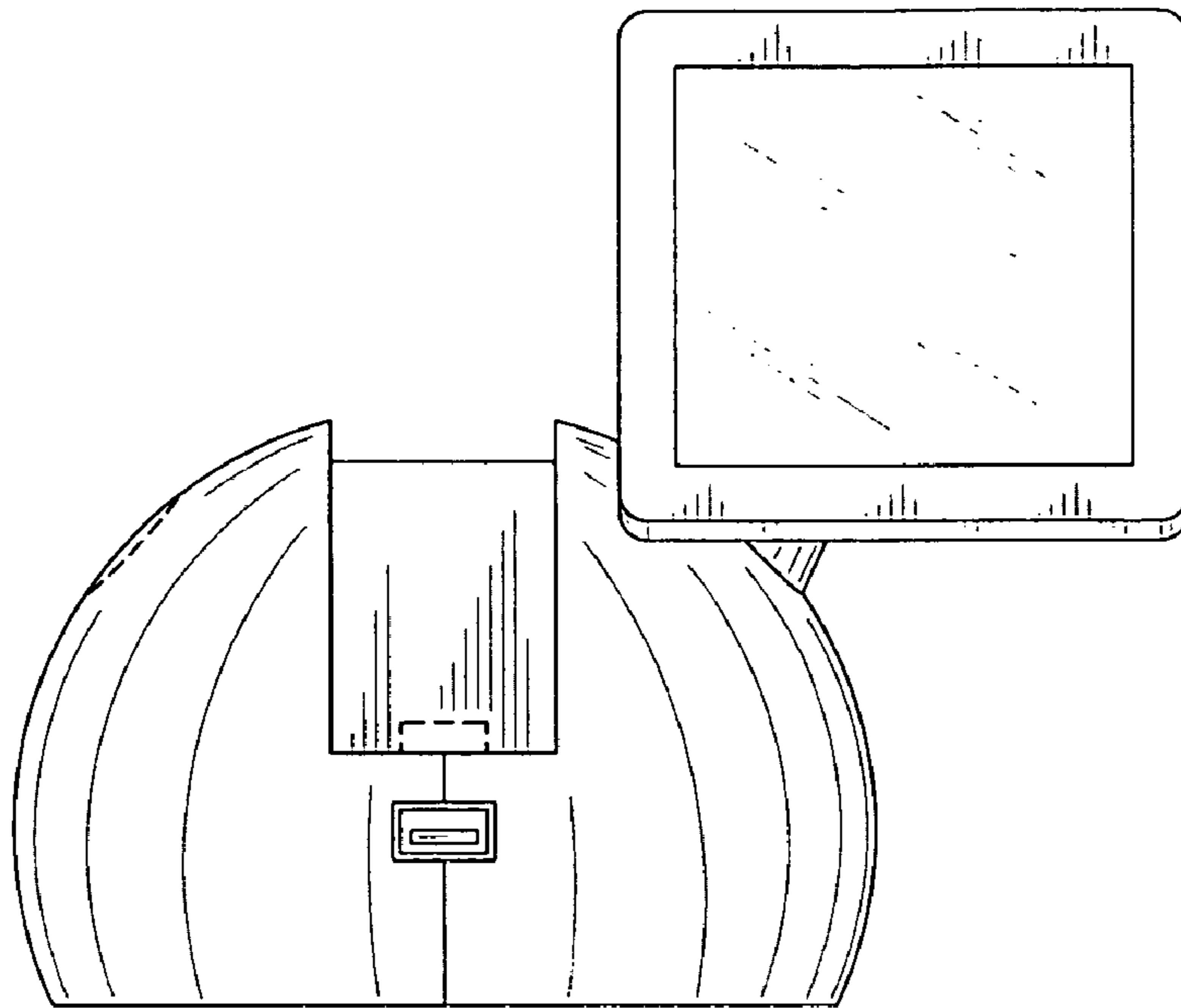


FIG. 2

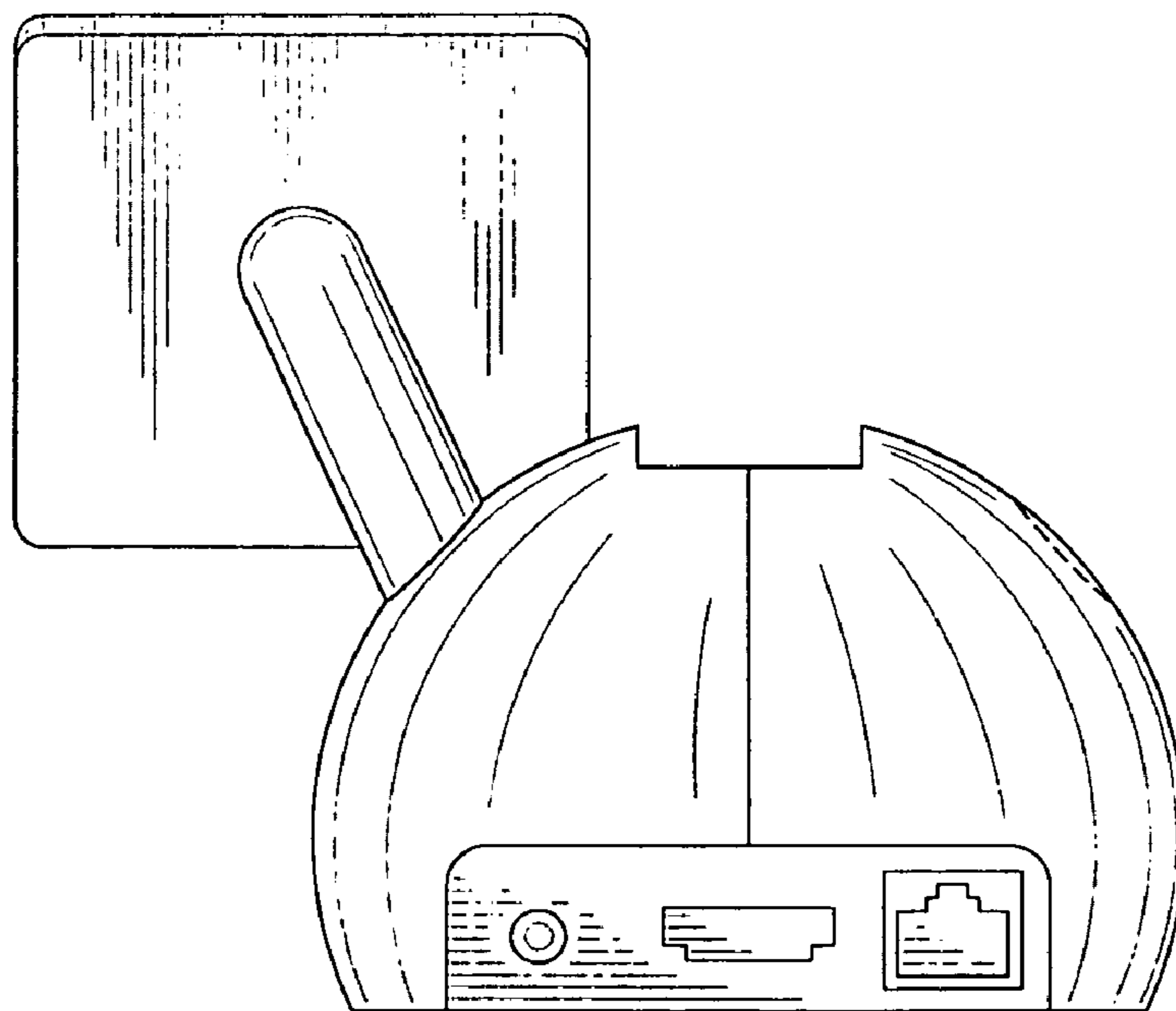


FIG. 3

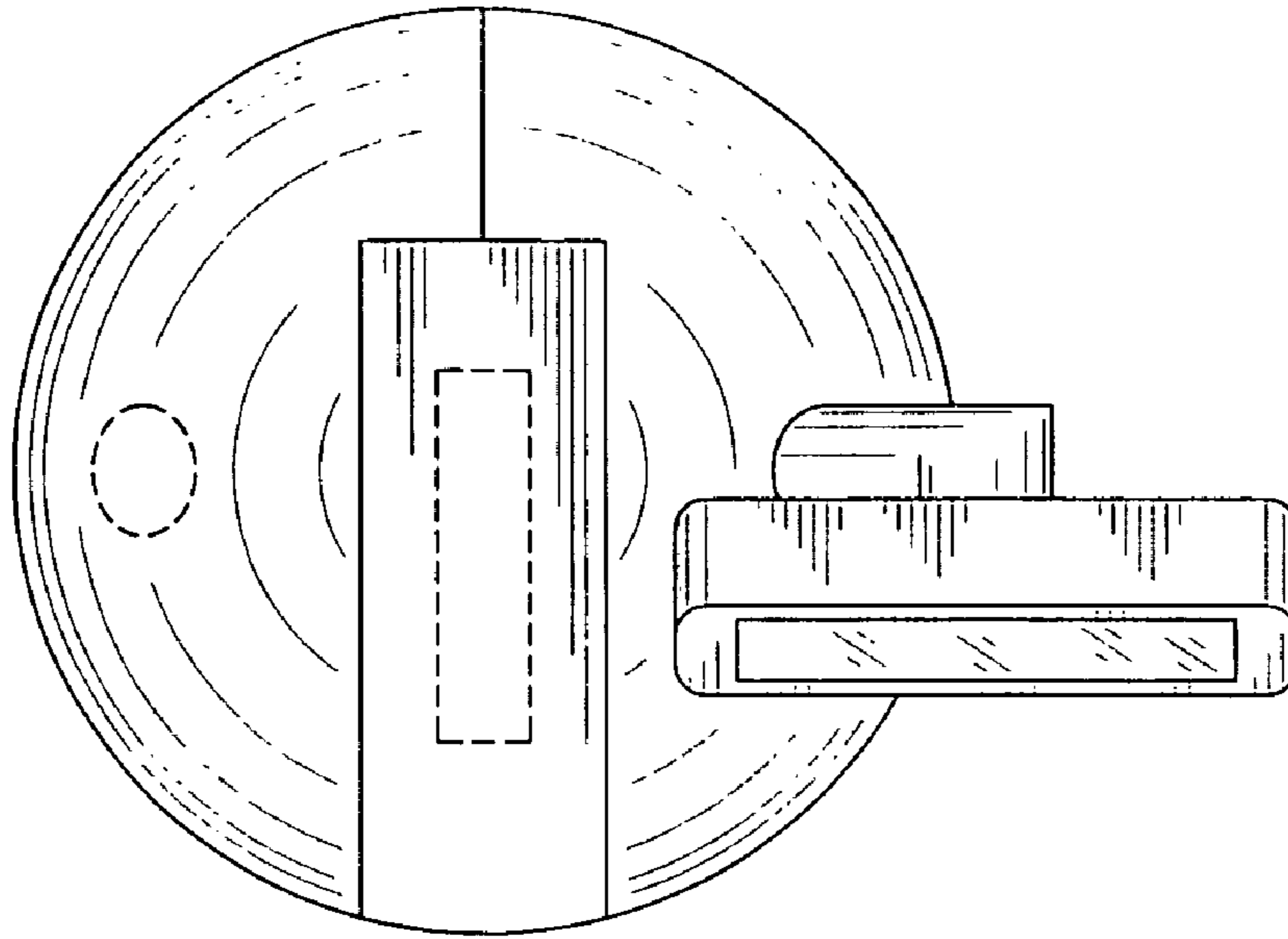


FIG. 4

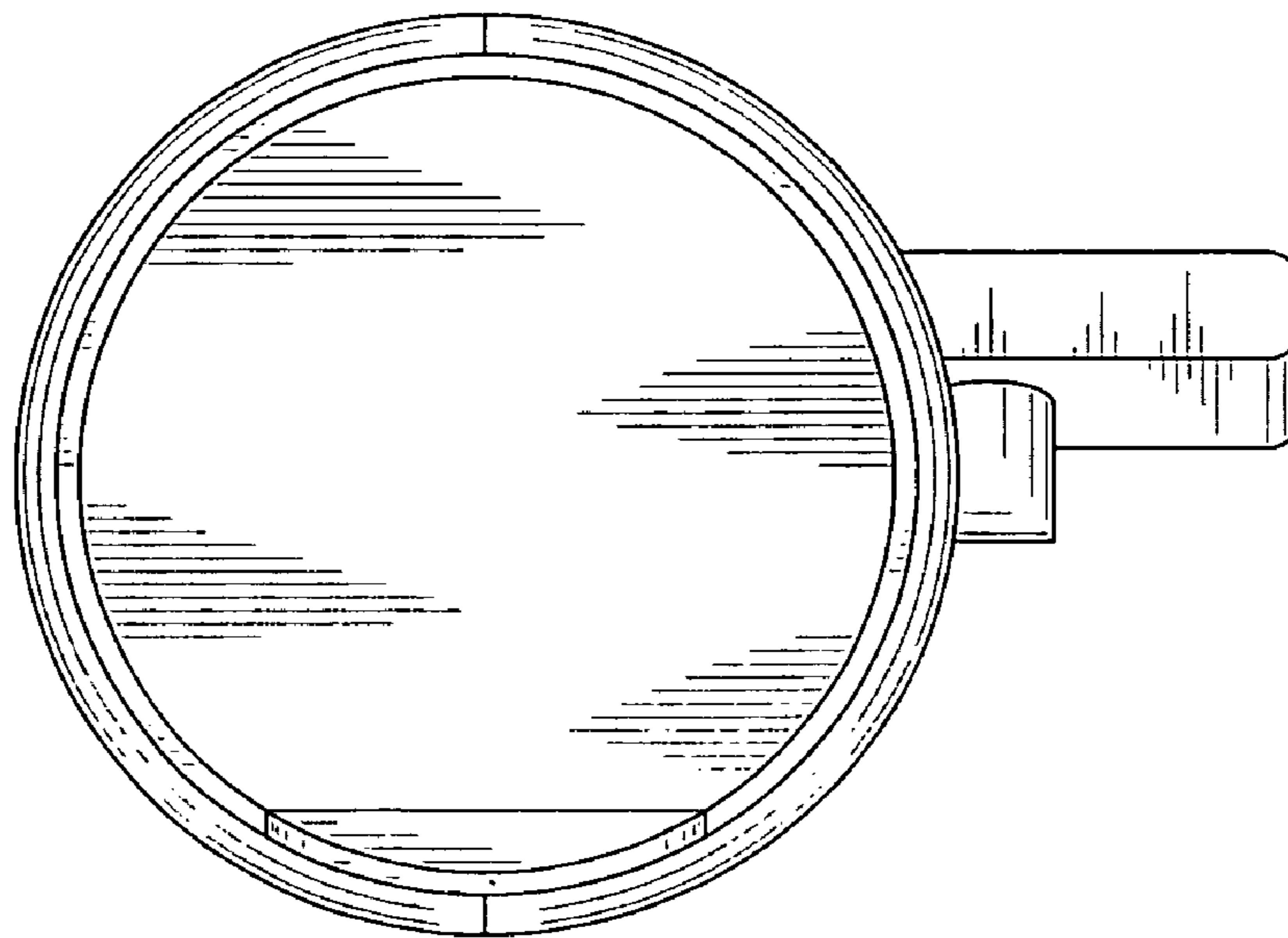


FIG. 5

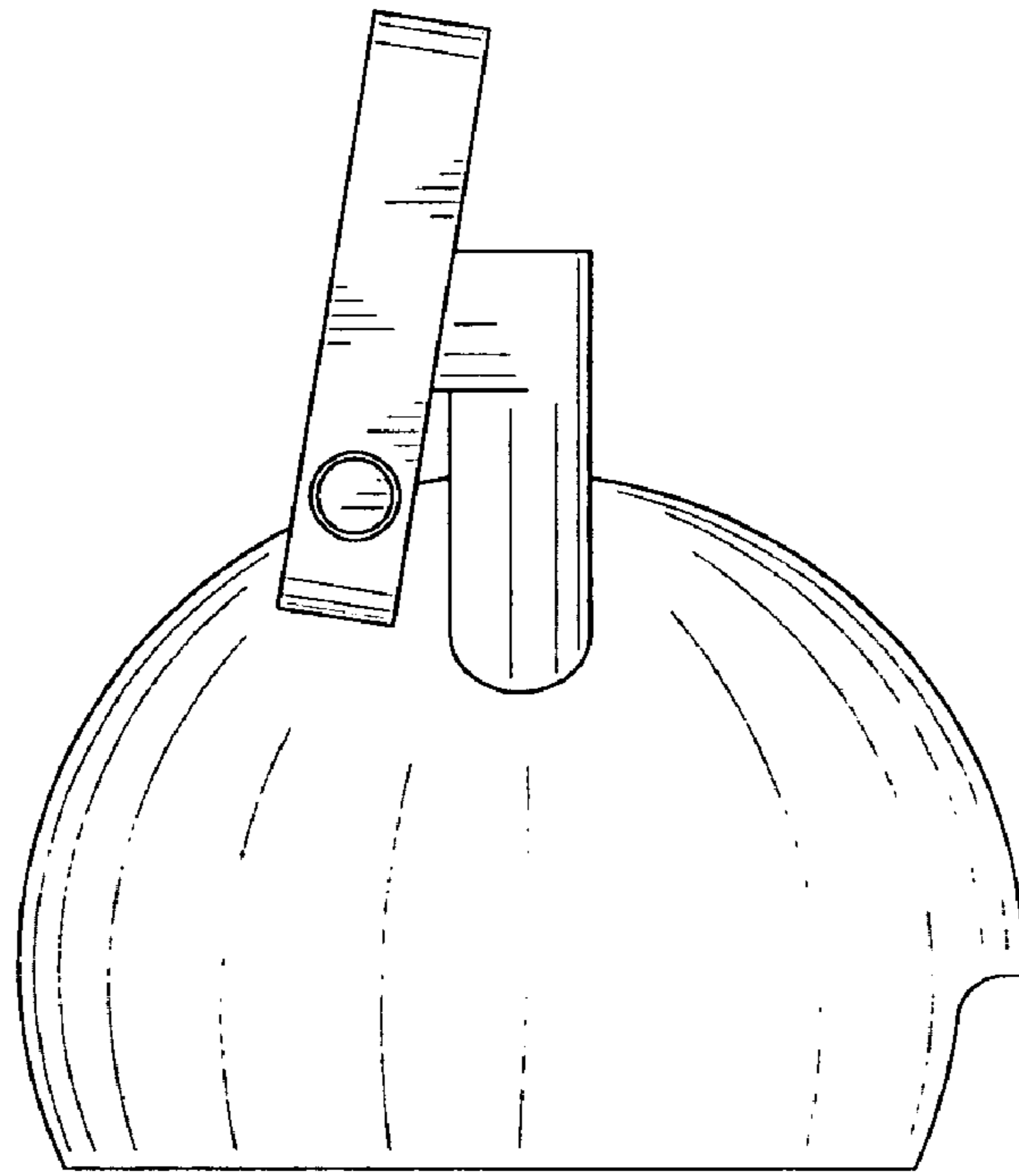


FIG. 6

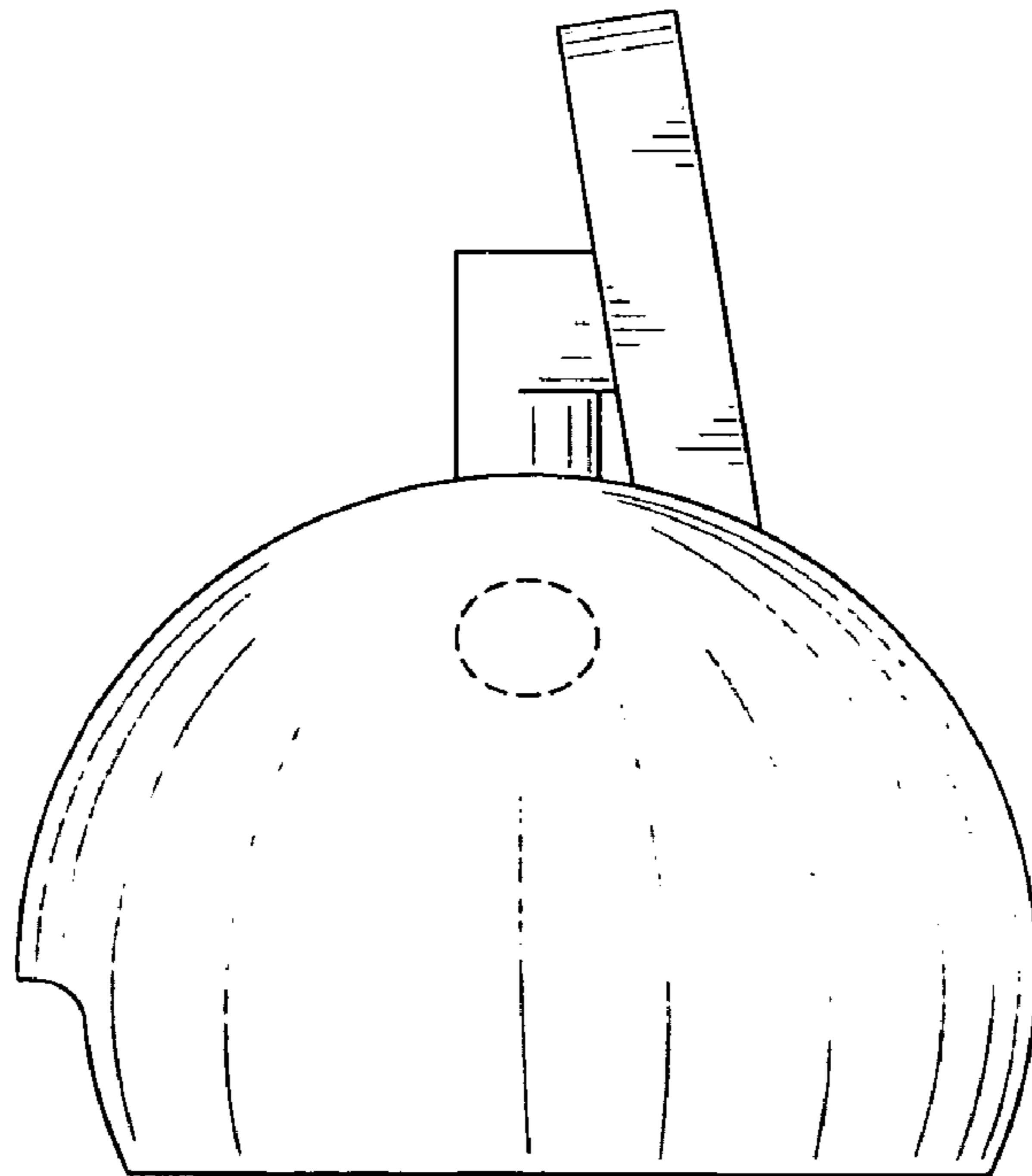


FIG. 7