



US00D607443S

(12) **United States Design Patent**
Klein et al.

(10) **Patent No.:** **US D607,443 S**
(45) **Date of Patent:** **** Jan. 5, 2010**

(54) **WIRELESS ACCESS POINT**
(75) Inventors: **Sandro David Klein**, Cypress, CA (US);
Hungbing Chen, Tustin, CA (US); **Eran Weinberg**, Los Angeles, CA (US)
(73) Assignee: **Cisco Technology, Inc.**, San Jose, CA (US)

D530,316 S * 10/2006 Hsu et al. D14/240
D535,651 S * 1/2007 Wong et al. D14/240
D548,731 S * 8/2007 Liu et al. D14/240
D583,367 S * 12/2008 Chen D14/240
D589,045 S * 3/2009 Lee et al. D14/358
D598,013 S * 8/2009 Ju et al. D14/240
D598,436 S * 8/2009 Tseng D14/240
D598,449 S * 8/2009 Landry et al. D14/358

* cited by examiner

Primary Examiner—Charles A Rademaker
(74) *Attorney, Agent, or Firm*—Haynes and Boone, LLP.

(**) Term: **14 Years**
(21) Appl. No.: **29/330,537**
(22) Filed: **Jan. 8, 2009**

(57) **CLAIM**

The ornamental design for a wireless access point, as shown and described.

(51) **LOC (9) Cl.** **14-03**
(52) **U.S. Cl.** **D14/240**
(58) **Field of Classification Search** D14/240,
D14/242, 140, 218, 358; D13/168, 184;
360/69; 379/220.01, 220.02, 25, 93.09, 93.15,
379/93.14, 156, 900; 455/550.1, 557
See application file for complete search history.

DESCRIPTION

FIG. 1 is a side perspective view showing our new wireless access point;
FIG. 2 is a front view thereof;
FIG. 3 is a rear view thereof;
FIG. 4 is a side view thereof;
FIG. 5 is another side view thereof;
FIG. 6 is a top view thereof;
FIG. 7 is a bottom view thereof; and,
FIG. 8 is another perspective view thereof.

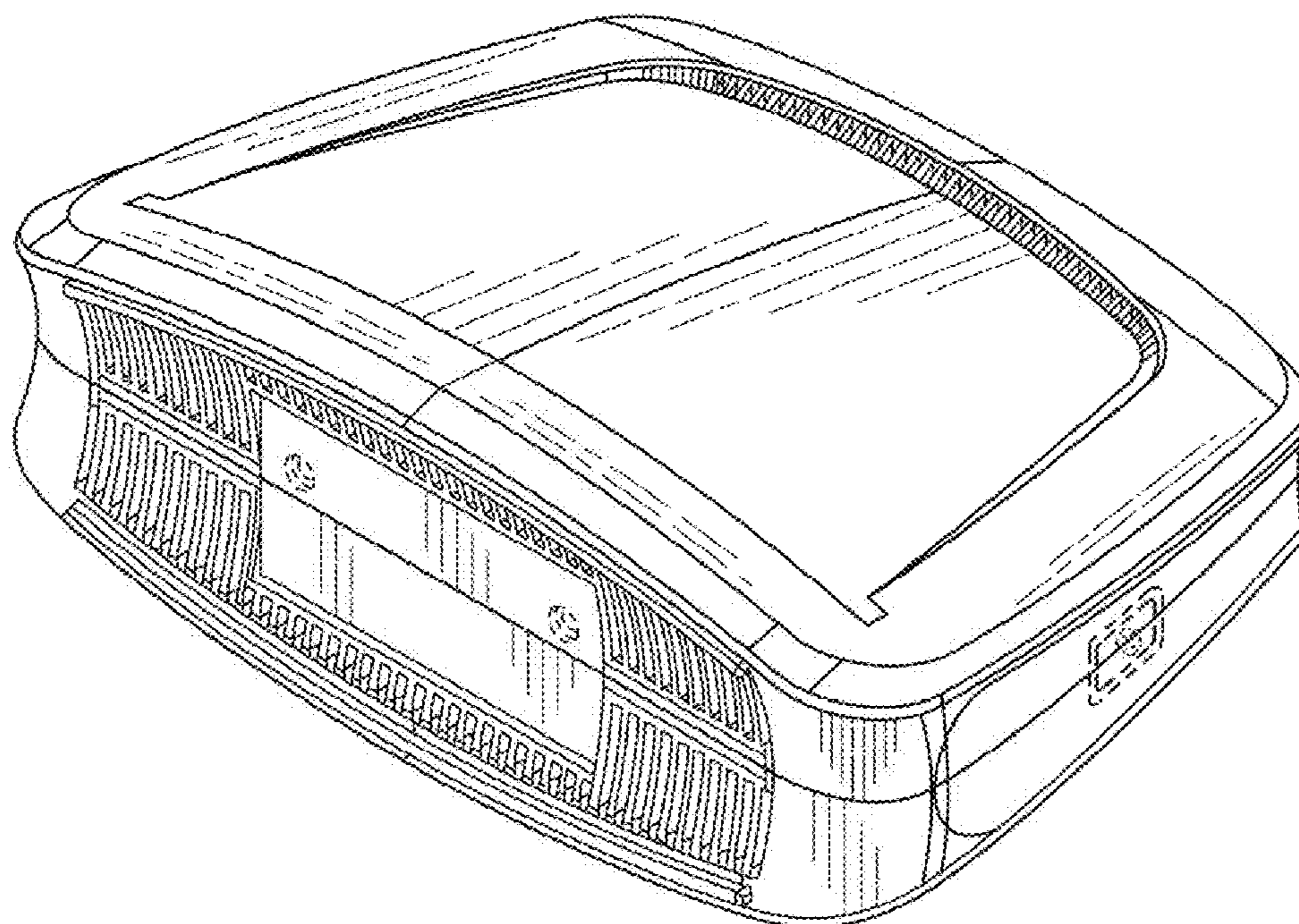
The broken lines shown in the figure drawings are included for the purpose of illustrating structural environment and form no part of the claimed design.

(56) **References Cited**

U.S. PATENT DOCUMENTS

D346,606 S * 5/1994 Harris et al. D14/242
D354,500 S * 1/1995 Georgopoulos D14/242
D392,644 S * 3/1998 McGugan D14/240
D430,147 S * 8/2000 Willkens et al. D14/240
D435,041 S * 12/2000 Coker et al. D14/240
D462,676 S * 9/2002 Sodling D14/240
D489,059 S * 4/2004 Dendou et al. D14/242
D514,096 S * 1/2006 Storti et al. D14/240
D520,500 S * 5/2006 Storti et al. D14/240
D530,315 S * 10/2006 Liu D14/240

1 Claim, 6 Drawing Sheets



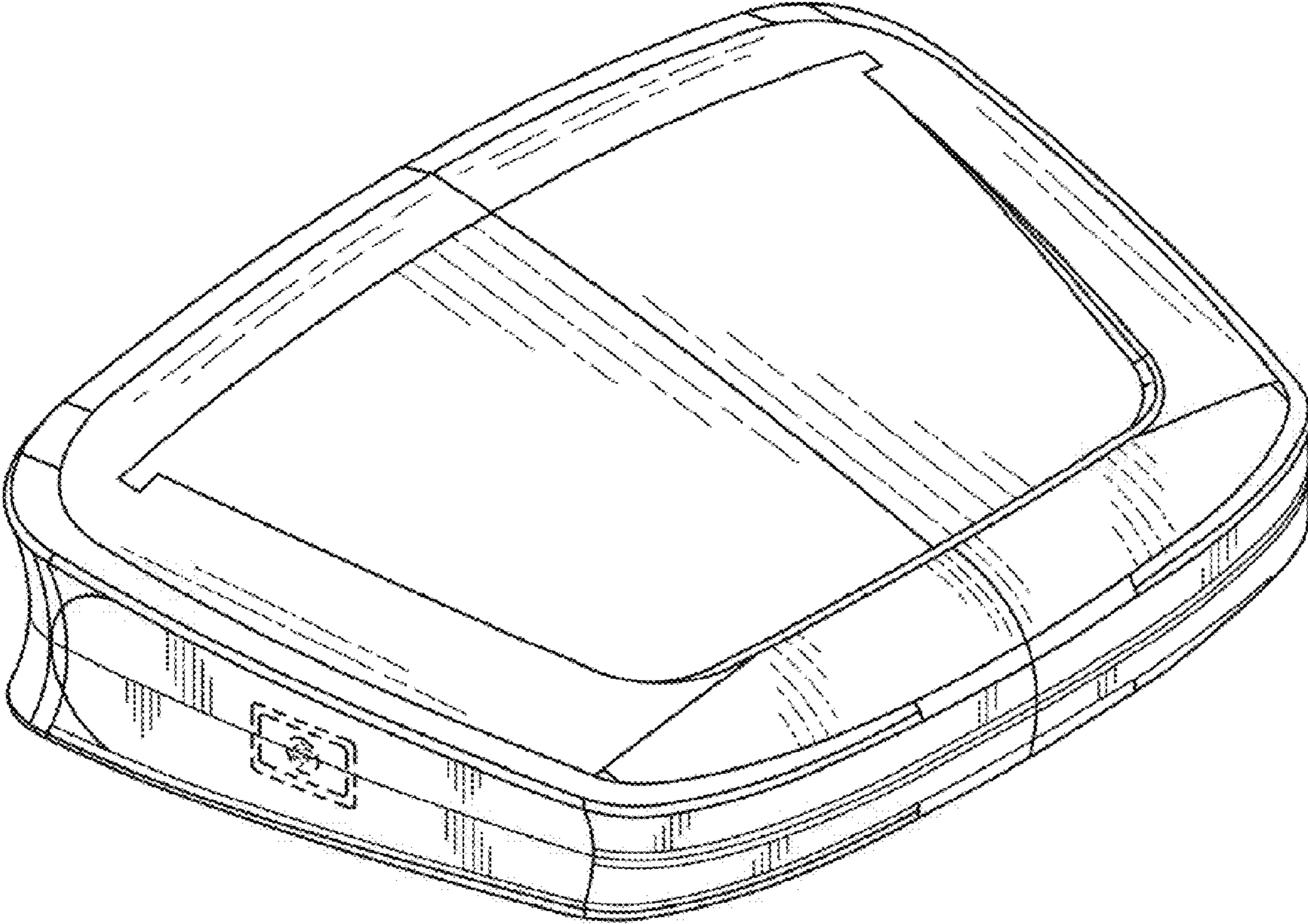


FIG. 1

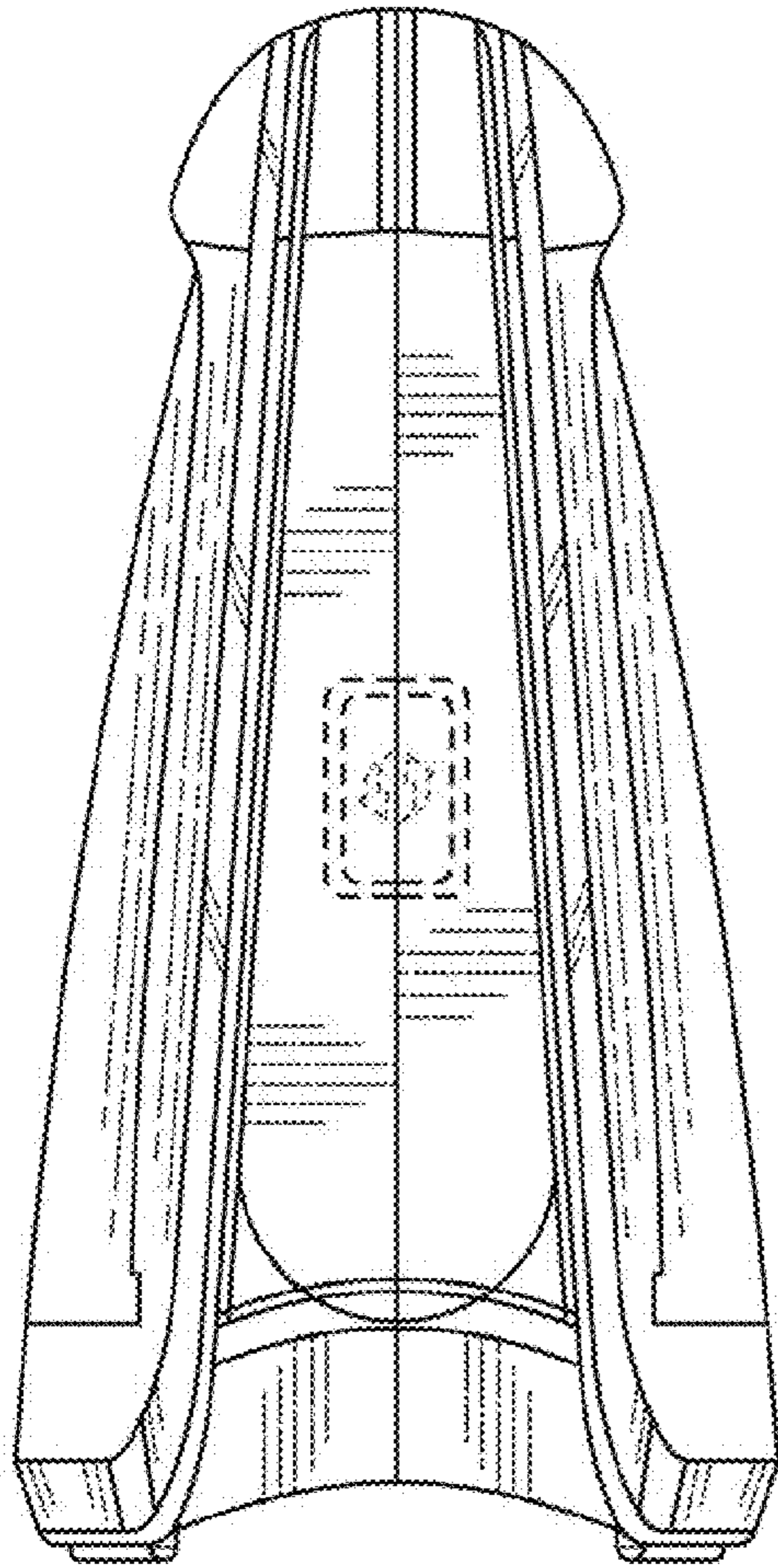


FIG. 2

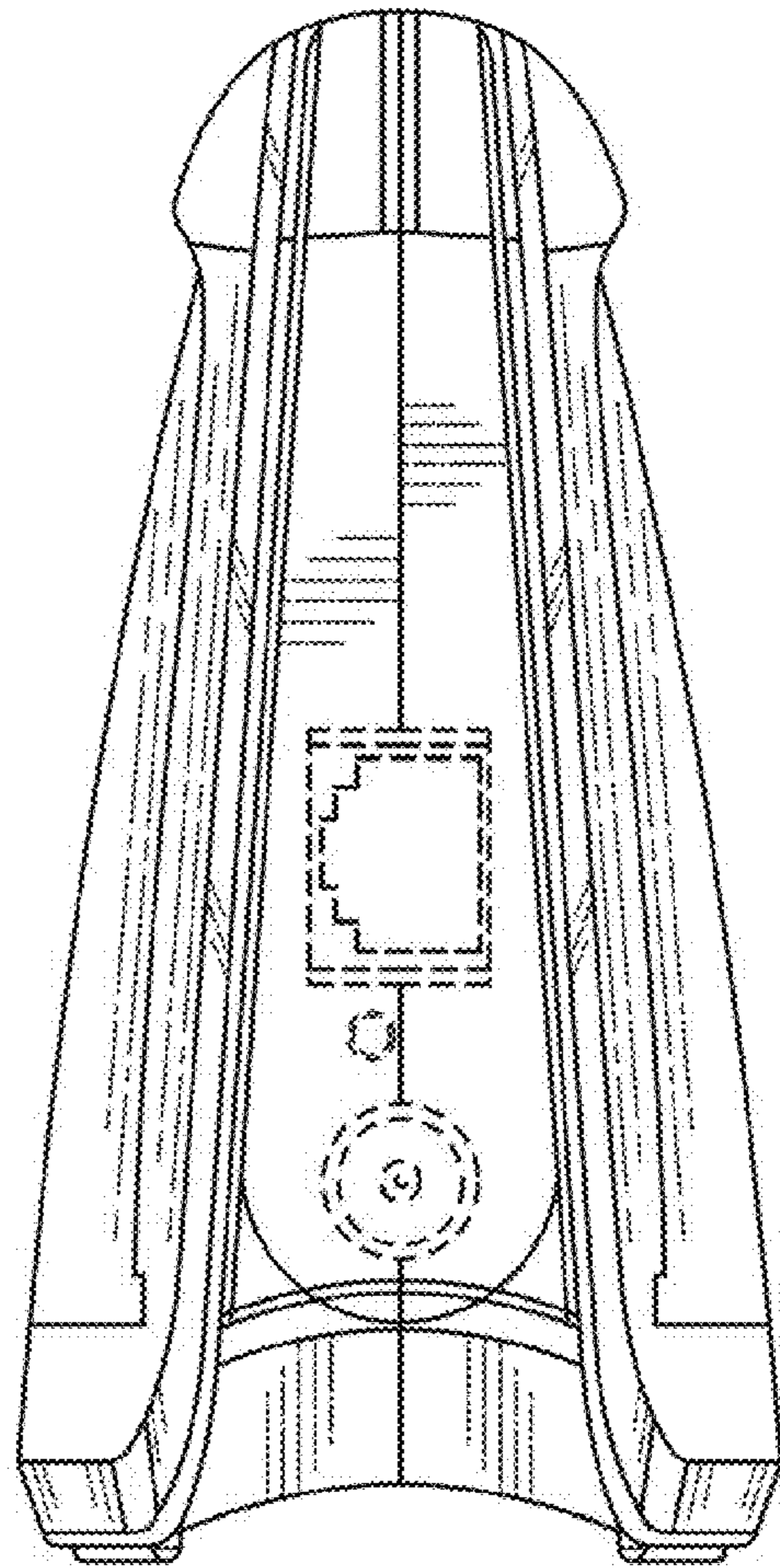


FIG. 3

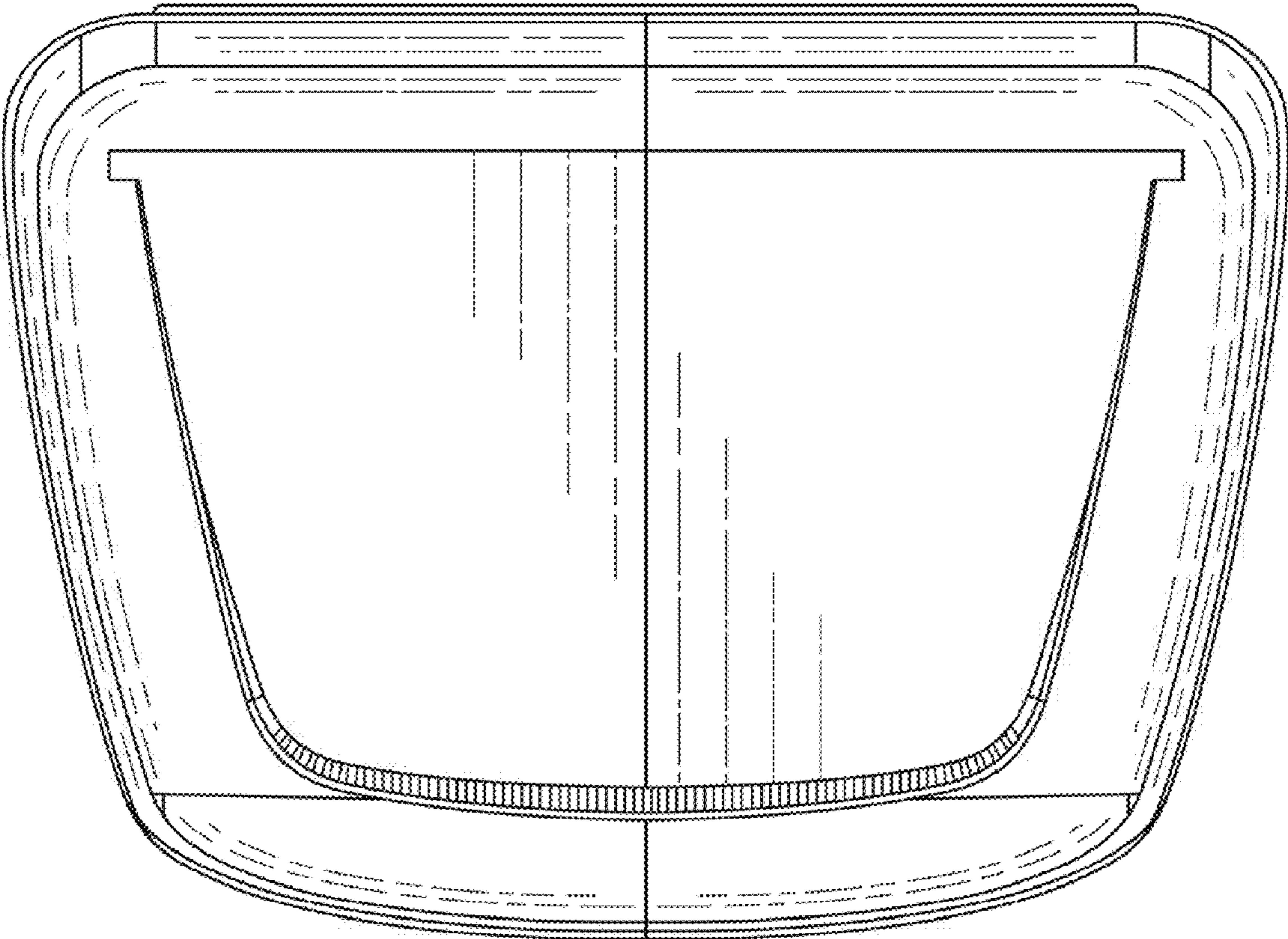


FIG. 4

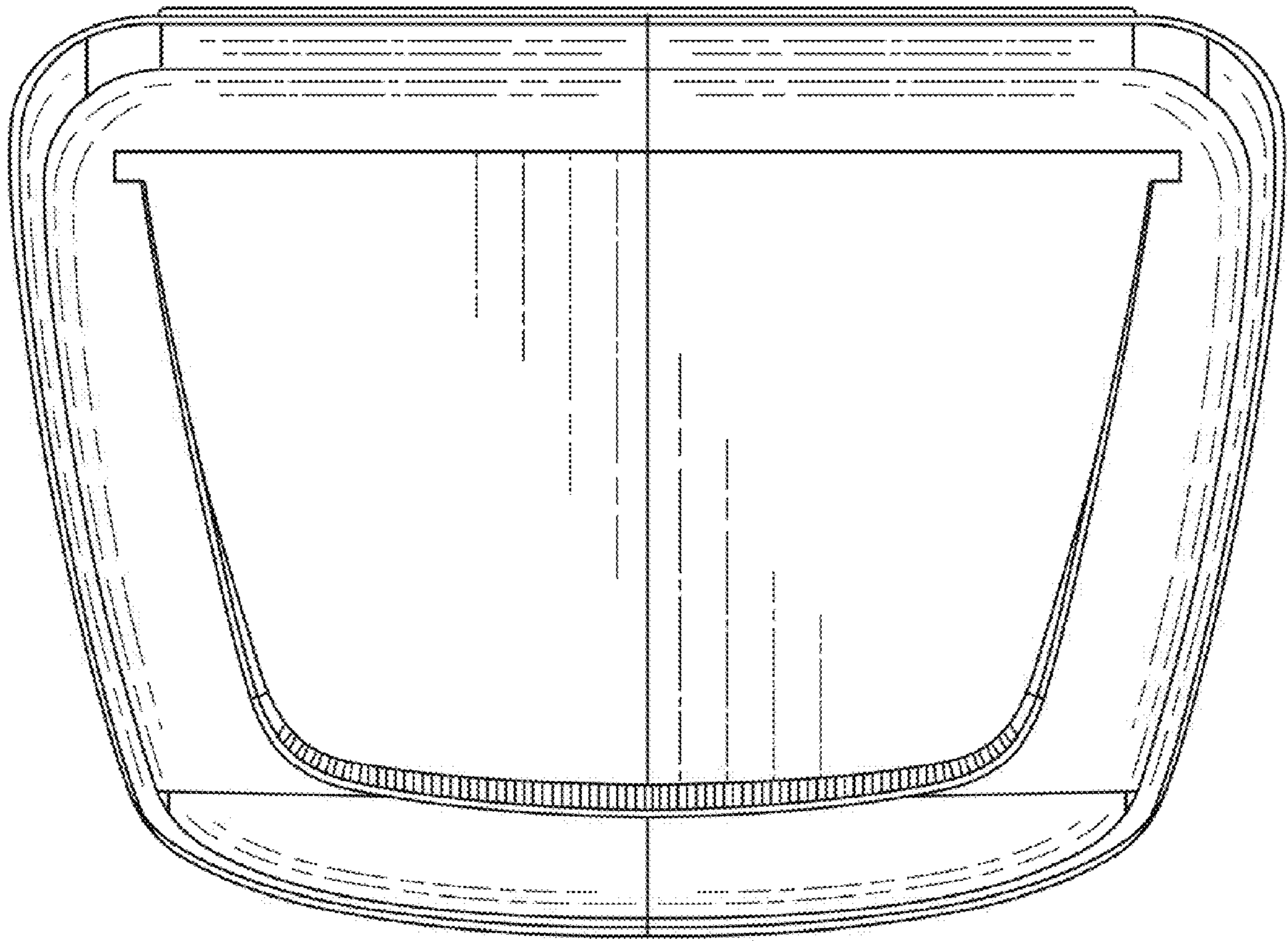


FIG. 5

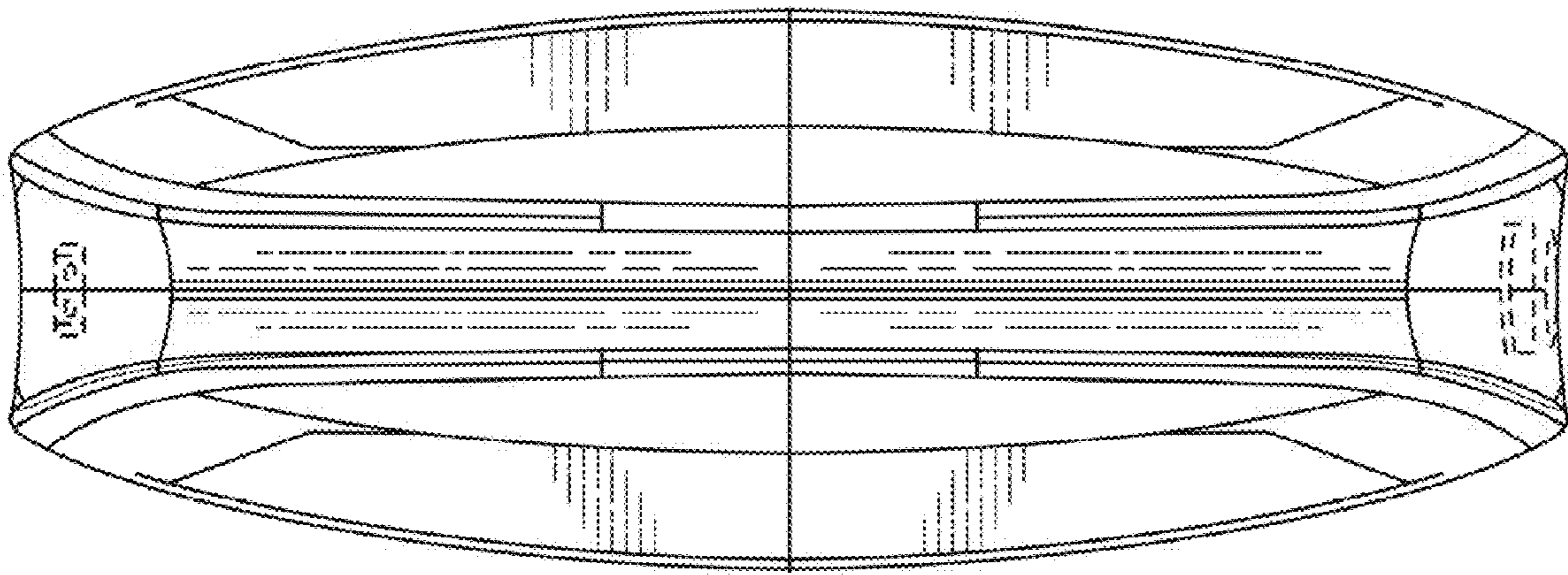


FIG. 6

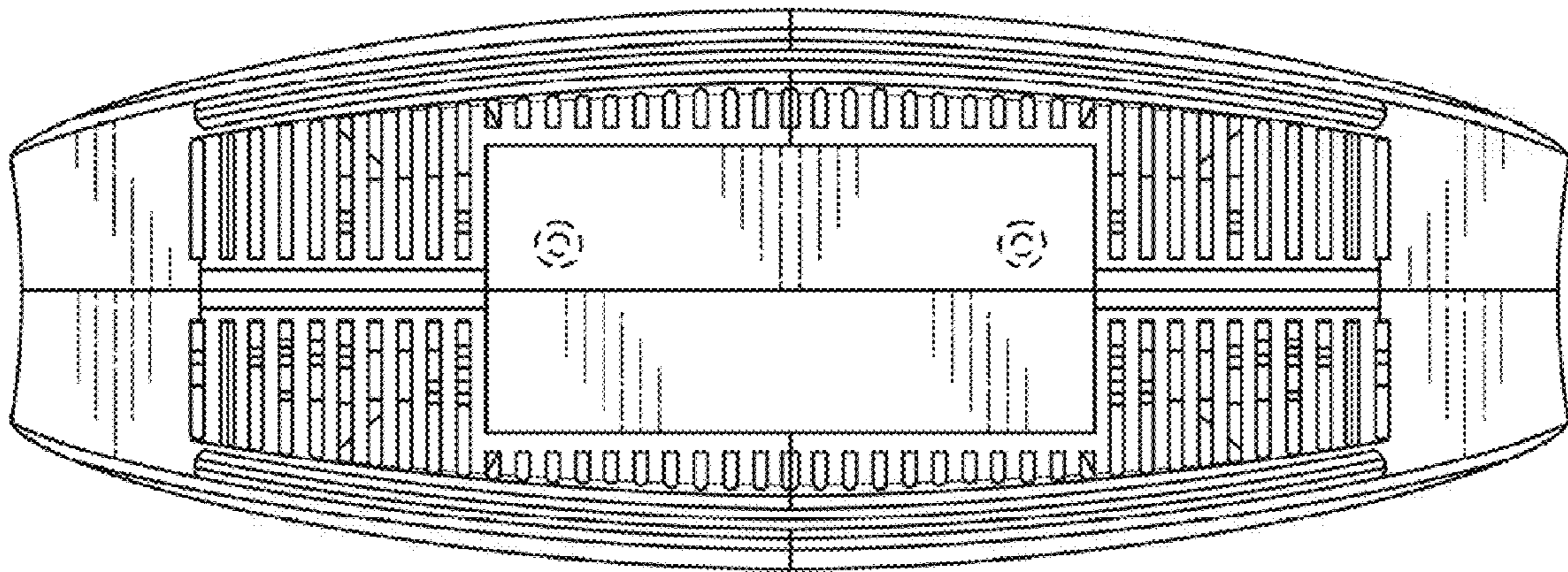


FIG. 7

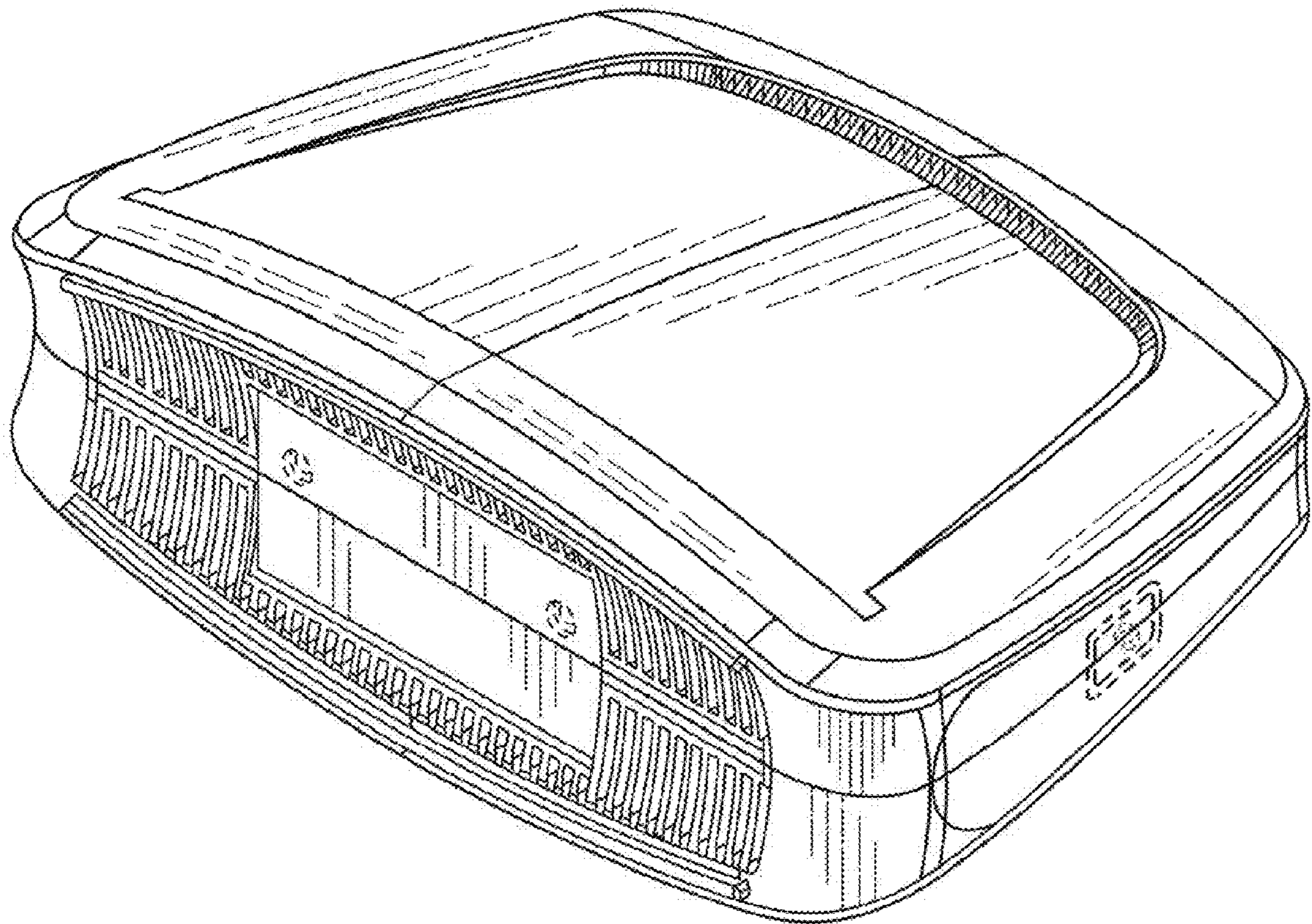


FIG. 8