



US00D607442S

(12) **United States Design Patent**
Su et al.

(10) **Patent No.:** **US D607,442 S**
(45) **Date of Patent:** **** Jan. 5, 2010**

(54) **ANTENNA**

(75) Inventors: **Jia-Hung Su**, Taipei (TW); **Yung-Chih Tsai**, Taipei (TW); **Kai Shih**, Taipei (TW); **Yu-Yuan Wu**, Taipei (TW)

(73) Assignee: **Cheng Uei Precision Industry Co., Ltd.**, Taipei (TW)

(**) Term: **14 Years**

(21) Appl. No.: **29/340,660**

(22) Filed: **Jul. 23, 2009**

(51) **LOC (9) Cl.** **14-03**

(52) **U.S. Cl.** **D14/230**

(58) **Field of Classification Search** D14/138,
D14/230-238, 299, 358; D12/42, 43; 343/700 MS,
343/700 R-705, 711-713, 741, 748, 767,
343/795, 819, 840, 846, 866, 871-908; 455/90.2,
455/90.3, 91, 128, 269, 344, 347, 562.1
See application file for complete search history.

(56) **References Cited**

U.S. PATENT DOCUMENTS

D456,388	S *	4/2002	Hwang	D14/230
6,836,252	B2 *	12/2004	Tai et al.	343/702
7,333,067	B2 *	2/2008	Hung et al.	343/770
D576,614	S *	9/2008	Lee et al.	D14/230
7,427,956	B2 *	9/2008	Liao	343/700 MS

D588,115	S *	3/2009	Yoshioka	D14/230
D592,195	S *	5/2009	Wu et al.	D14/230
D599,334	S *	9/2009	Chiang	D14/230
2002/0003499	A1 *	1/2002	Kouam et al.	343/700 MS
2005/0073462	A1 *	4/2005	Lin et al.	343/702
2009/0027273	A1 *	1/2009	Lin et al.	343/700 MS
2009/0033557	A1 *	2/2009	Wei	343/700 MS
2009/0040114	A1 *	2/2009	Okamura et al.	343/700 MS

* cited by examiner

Primary Examiner—T. Chase Nelson
Assistant Examiner—John Windmuller

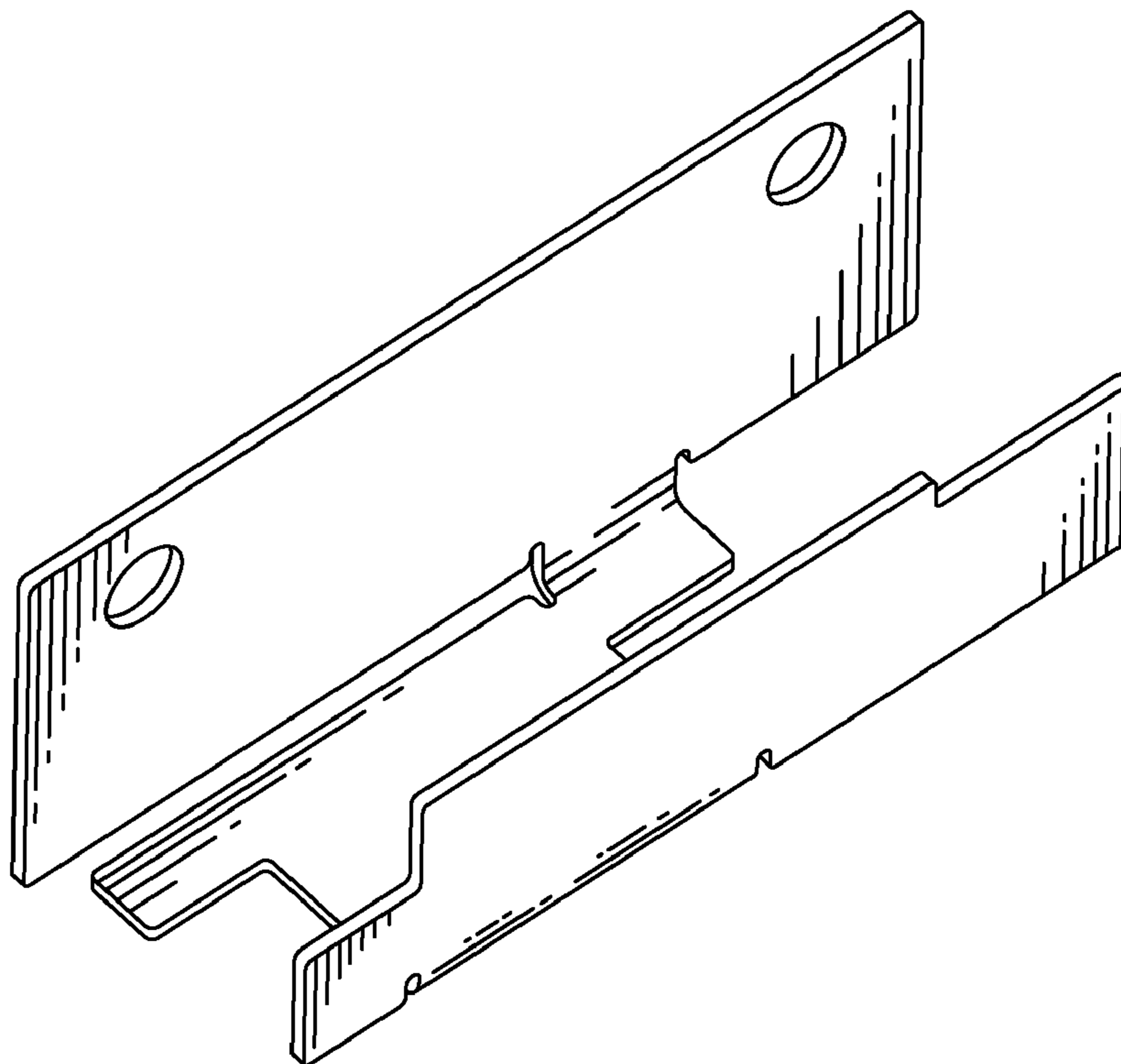
(57) **CLAIM**

The ornamental design for an antenna, as shown and described.

DESCRIPTION

FIG. 1 is a perspective view of an antenna showing our new design;
FIG. 2 is a front elevational view thereof;
FIG. 3 is a rear elevational view thereof;
FIG. 4 is a left side elevational view thereof;
FIG. 5 is a right side elevational view thereof;
FIG. 6 is a top plan view thereof; and,
FIG. 7 is a bottom plan view thereof.

1 Claim, 7 Drawing Sheets



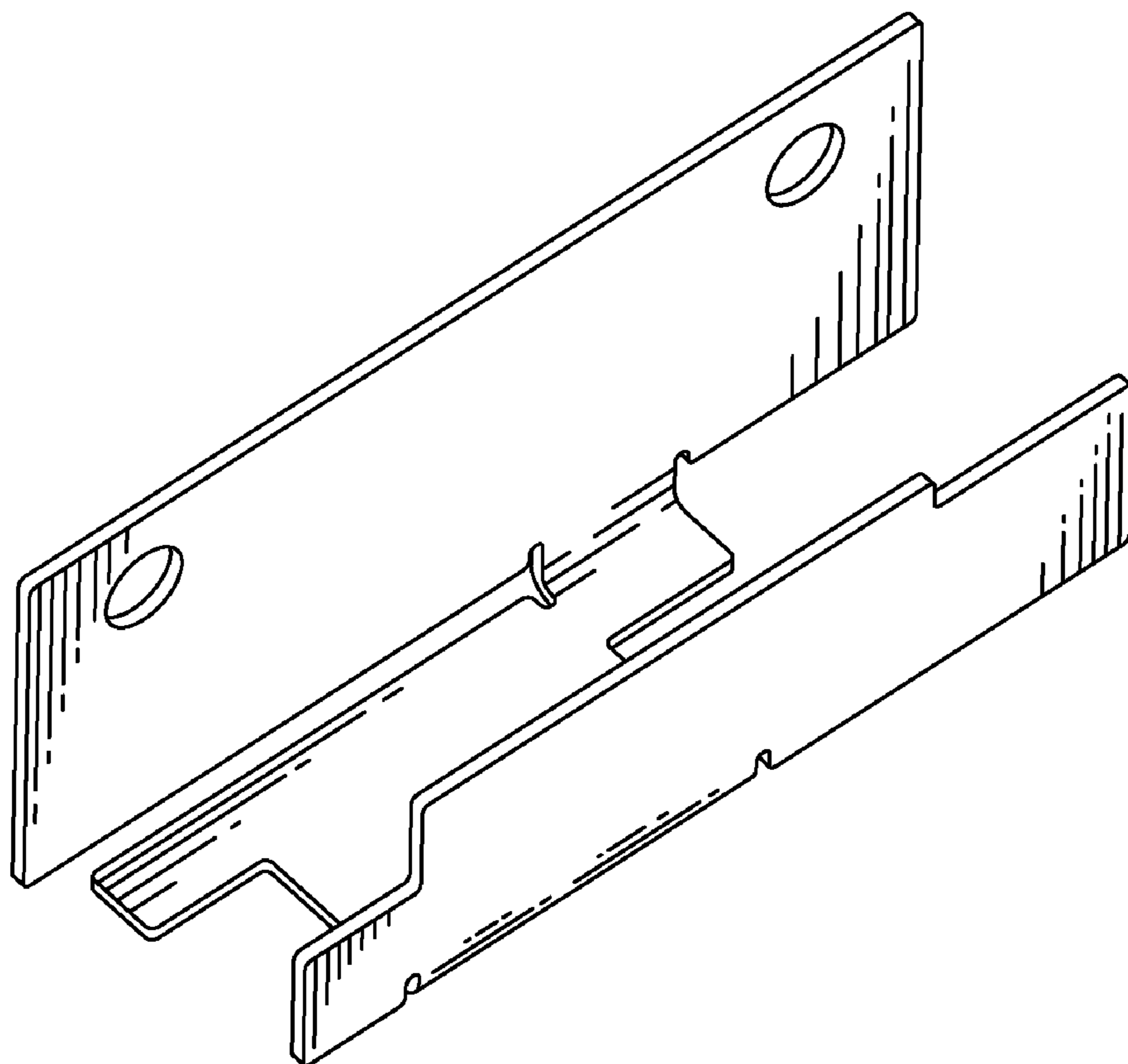


FIG. 1

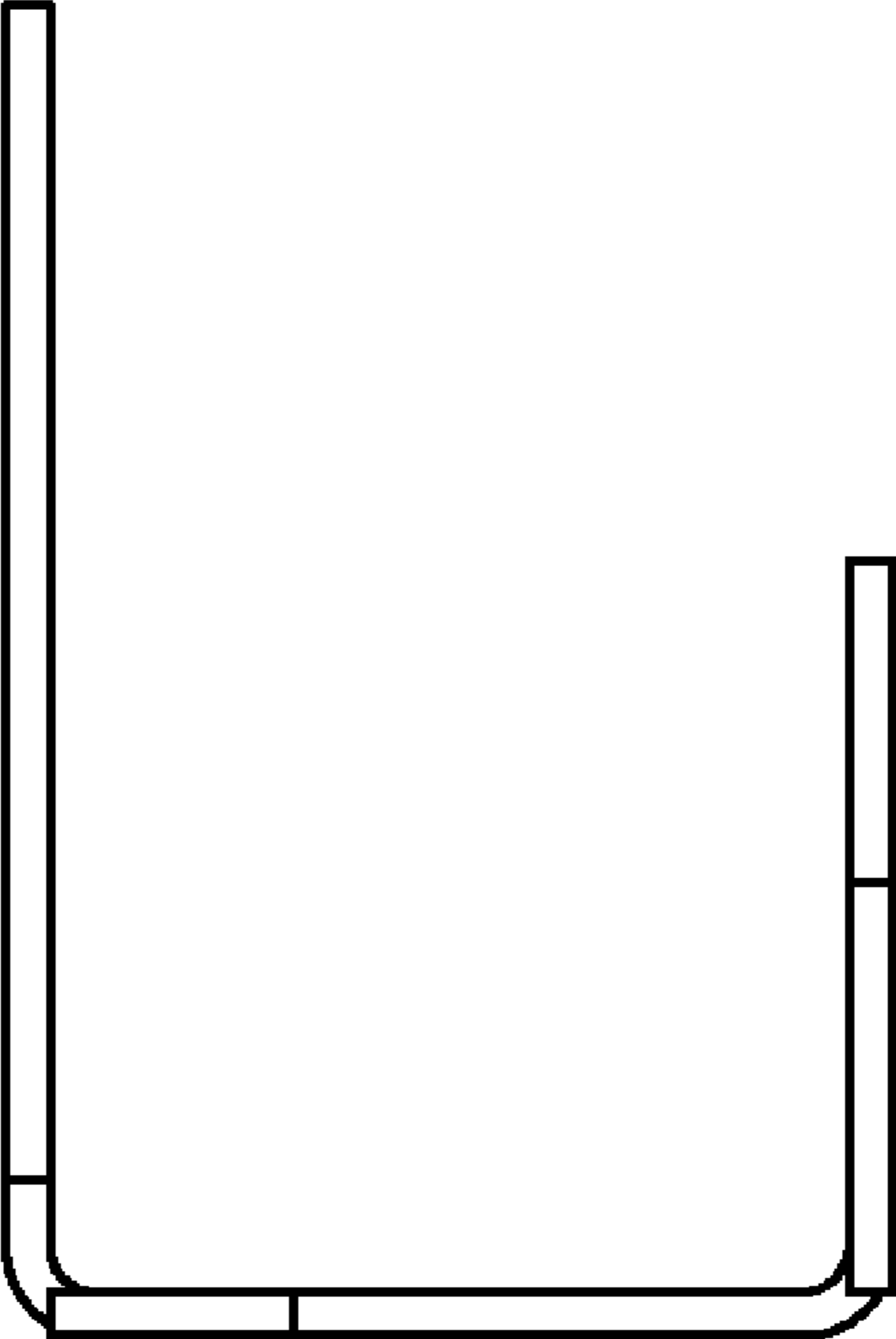


FIG. 2

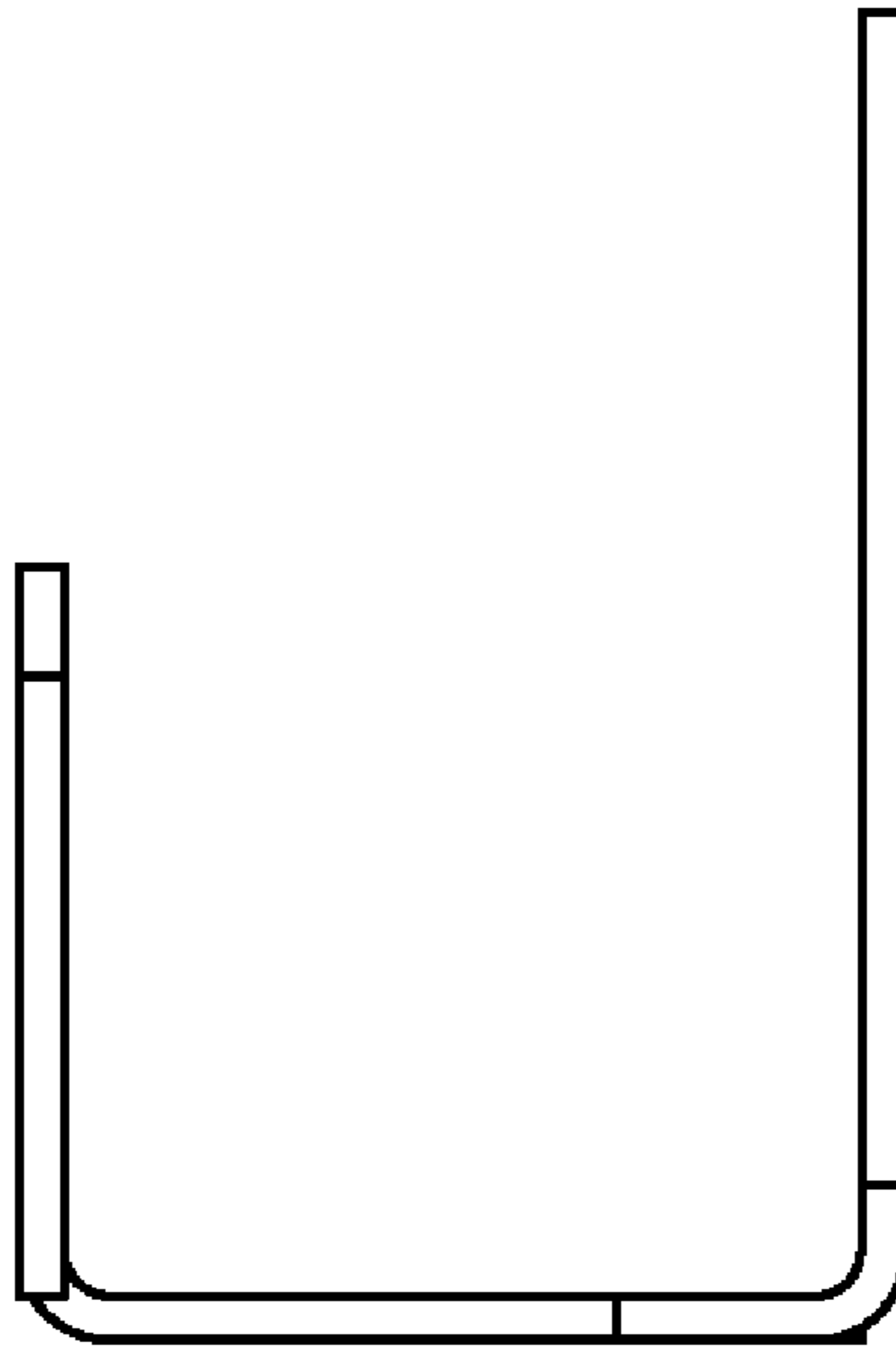


FIG. 3

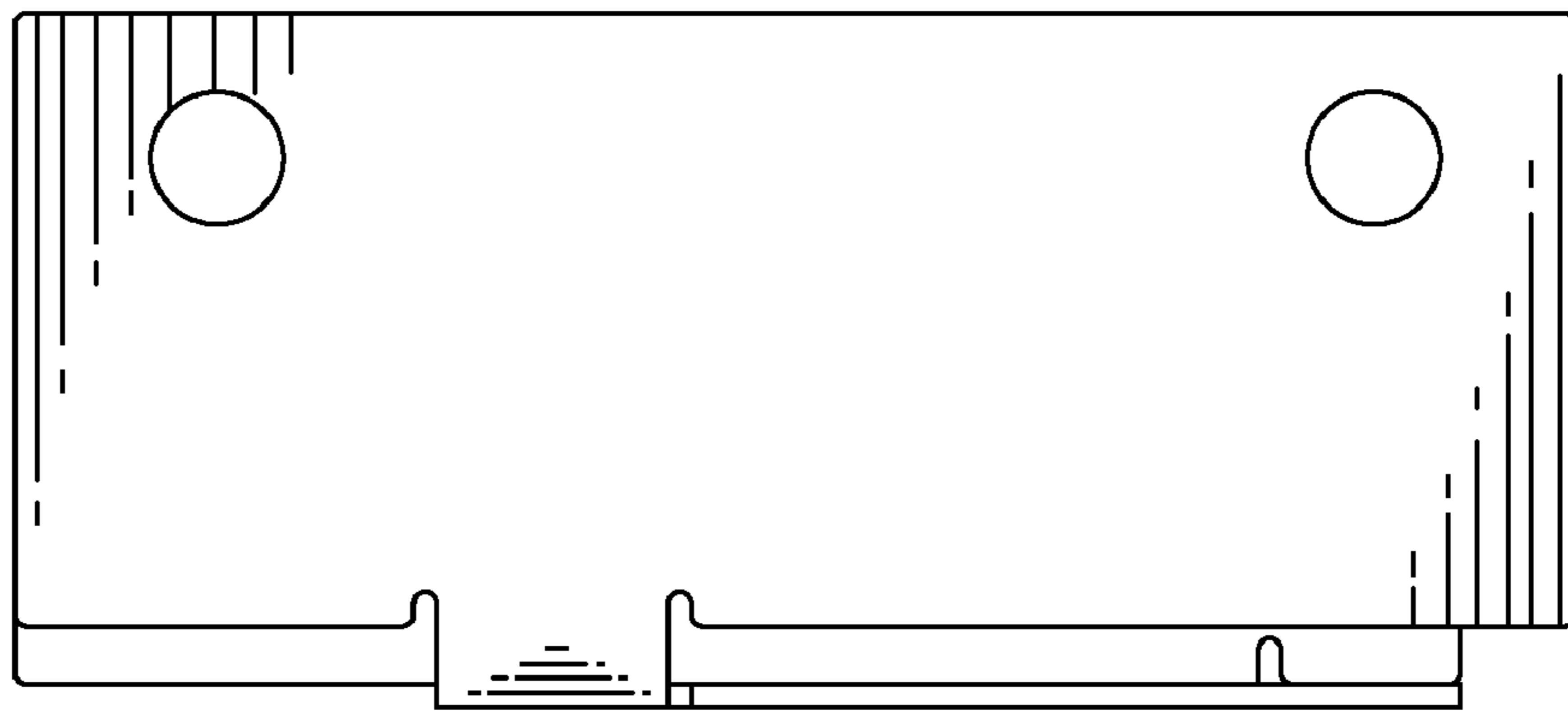


FIG. 4

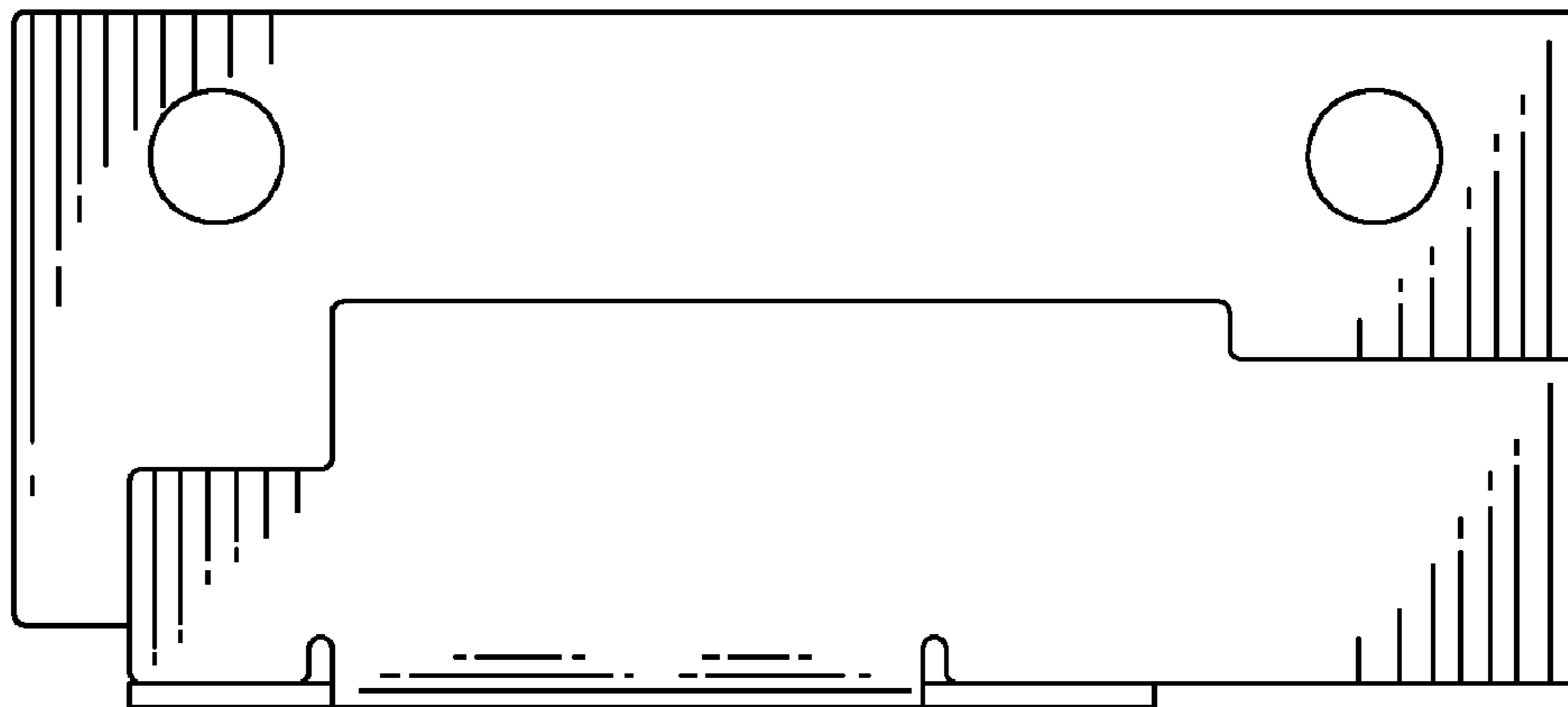


FIG. 5

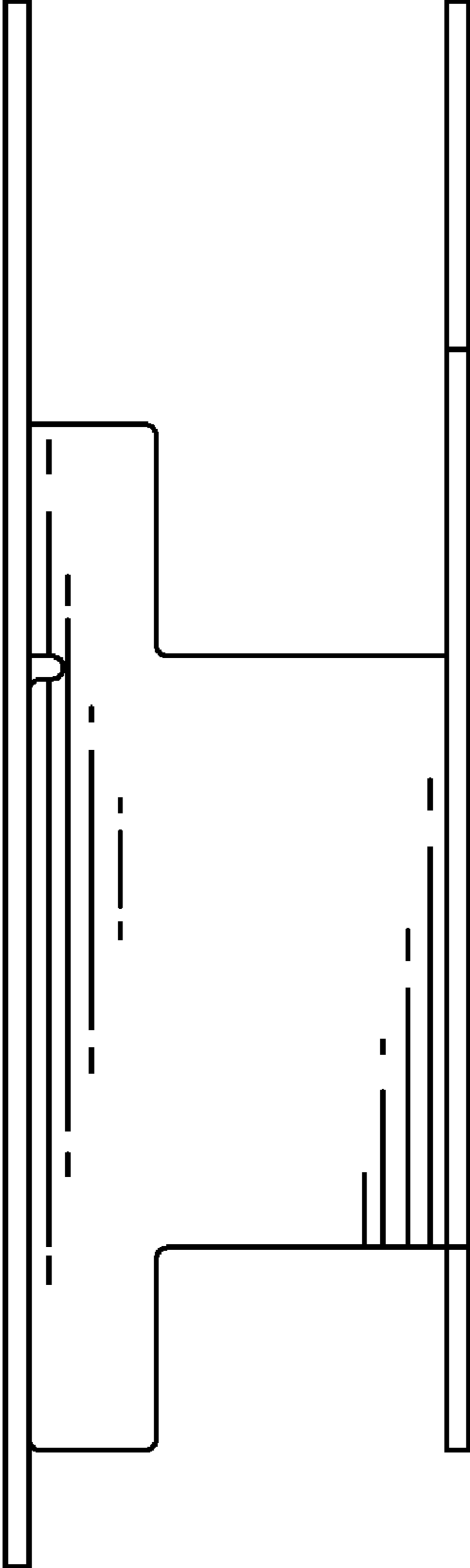


FIG. 6

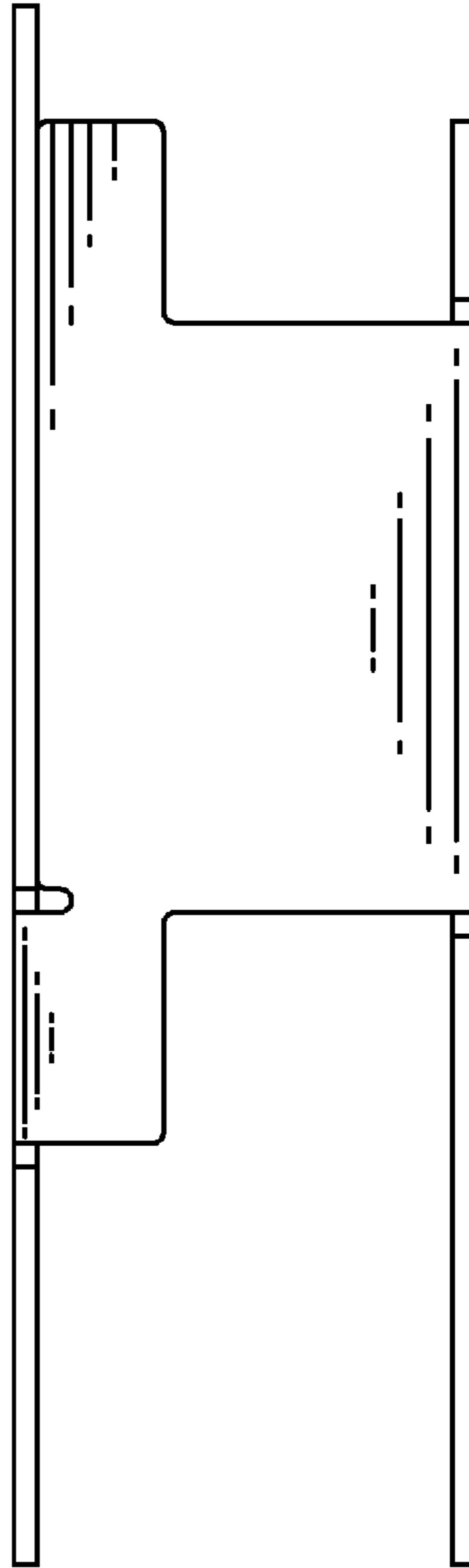


FIG. 7