



US00D607440S

(12) **United States Design Patent**  
**Yamakawa et al.**

(10) **Patent No.:** **US D607,440 S**  
(45) **Date of Patent:** **\*\* Jan. 5, 2010**

- (54) **WIRELESS MICROPHONE**
- (75) Inventors: **Yasuki Yamakawa**, Kanagawa (JP);  
**Yoshihiko Asai**, Tokyo (JP)
- (73) Assignee: **Panasonic Corporation**, Osaka (JP)
- (\*\*) Term: **14 Years**
- (21) Appl. No.: **29/336,851**
- (22) Filed: **May 11, 2009**
- (30) **Foreign Application Priority Data**  
Nov. 17, 2008 (JP) ..... 2008-029406
- (51) **LOC (9) Cl.** ..... **14-01**
- (52) **U.S. Cl.** ..... **D14/225**; D14/206
- (58) **Field of Classification Search** ..... D14/225,  
D14/226, 191, 218, 240; D3/207; D10/104,  
D10/106; D13/168; 381/319, 104, 173;  
379/429.01, 433.01, 420.02, 433.11  
See application file for complete search history.

(56) **References Cited**  
U.S. PATENT DOCUMENTS

- 2,336,882 A \* 12/1943 Nyden ..... 222/555
- D162,882 S \* 4/1951 Rogers-Bannister ..... D14/225
- D197,466 S \* 2/1964 Spilman ..... D14/225
- D219,028 S \* 10/1970 Miller et al. .... D14/218
- D247,560 S \* 3/1978 Imazeki ..... D14/225
- D278,333 S \* 4/1985 Takata ..... D14/225
- D284,859 S \* 7/1986 Okada ..... D14/192
- D300,924 S \* 5/1989 Mauch ..... D14/225
- D332,098 S \* 12/1992 Riley et al. .... D14/225
- D346,804 S \* 5/1994 Tokiyama ..... D14/226
- D354,489 S \* 1/1995 Patton et al. .... D14/218
- D371,791 S \* 7/1996 Patton ..... D14/218
- D371,793 S \* 7/1996 Patton ..... D14/218
- D375,909 S \* 11/1996 Dziersk et al. .... D10/106
- D394,436 S \* 5/1998 Hall et al. .... D14/206
- D409,999 S \* 5/1999 Nuovo et al. .... D14/138 R
- D416,912 S \* 11/1999 Hsieh ..... D14/225
- D427,582 S \* 7/2000 Hampf et al. .... D14/191
- D448,365 S \* 9/2001 Kerestegian et al. .... D14/240

- D453,503 S \* 2/2002 Fitzsimmons et al. .... D13/168
- D472,889 S \* 4/2003 Tanaka et al. .... D14/206
- D475,353 S \* 6/2003 Flick ..... D13/168
- D483,281 S \* 12/2003 Cobigo ..... D10/104
- D484,820 S \* 1/2004 Hohn ..... D10/106
- D494,960 S \* 8/2004 Lum ..... D14/225
- D495,665 S \* 9/2004 Stekelenburg ..... D13/168
- D496,031 S \* 9/2004 Ma et al. .... D14/240
- D539,272 S \* 3/2007 Kaner et al. .... D14/225
- D558,742 S \* 1/2008 Koller et al. .... D14/225
- D582,396 S \* 12/2008 Sun et al. .... D14/218

FOREIGN PATENT DOCUMENTS

JP	D883227	11/1993
JP	D956803	6/1996

OTHER PUBLICATIONS

Panasonic, “Wireless Microphone System using Infrared Light—Pendant Style”, Panasonic Catalogue, Oct. 2008, 3 pages.

\* cited by examiner

*Primary Examiner*—Paula Greene

(74) *Attorney, Agent, or Firm*—Brinks Hofer Gilson & Lione

(57) **CLAIM**

We claim the ornamental design for a wireless microphone, as shown and described.

**DESCRIPTION**

- FIG. 1 is a front perspective view of a wireless microphone of the present invention;
- FIG. 2 is a front view thereof;
- FIG. 3 is a rear view thereof;
- FIG. 4 is a left side view thereof, the right side view being a mirror image thereof;
- FIG. 5 is a top view thereof; and,
- FIG. 6 is a bottom view thereof.

The broken line showing of wireless microphone is included for the purpose of illustrating environment and forms no part of the claimed design.

**1 Claim, 6 Drawing Sheets**

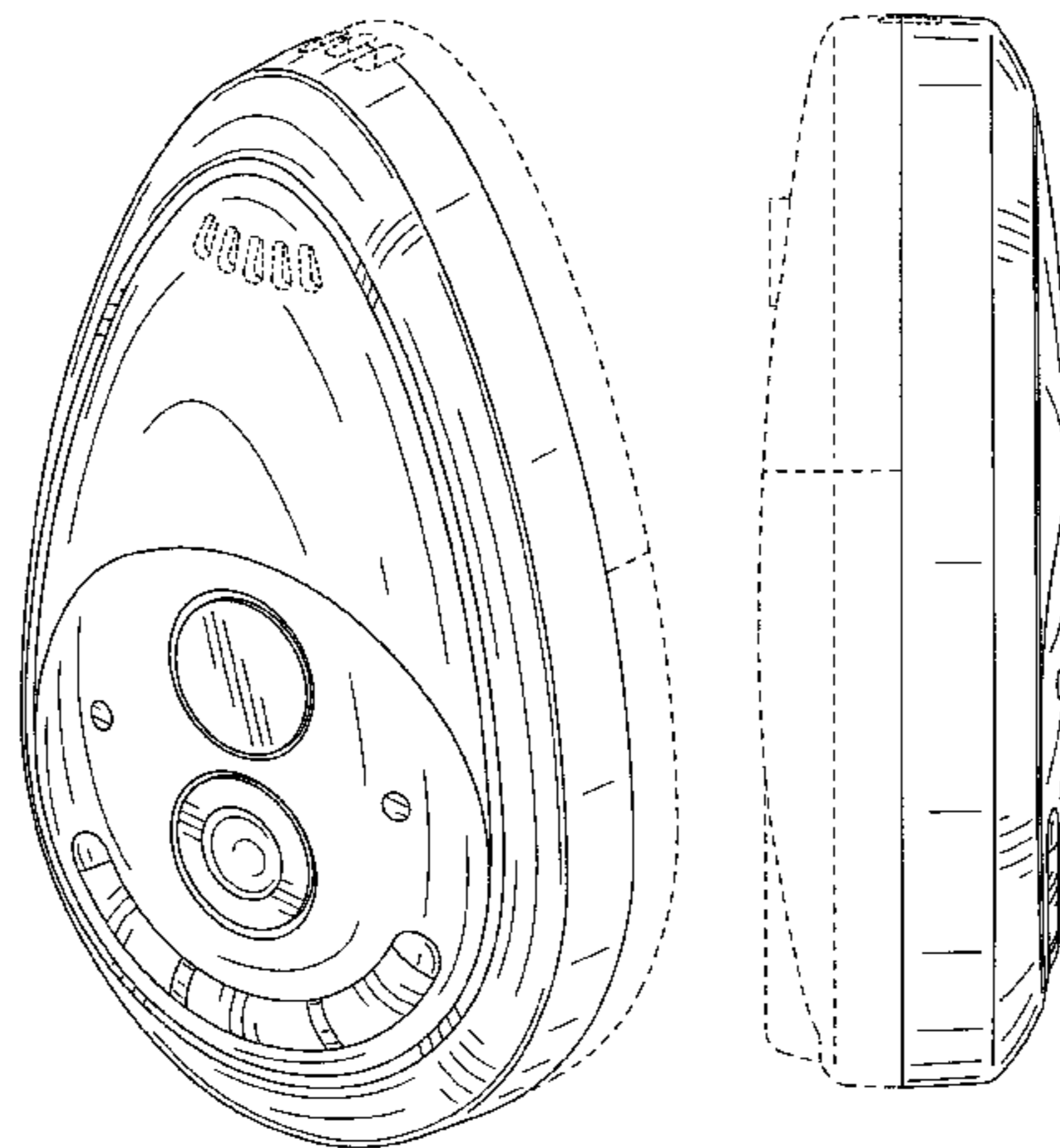
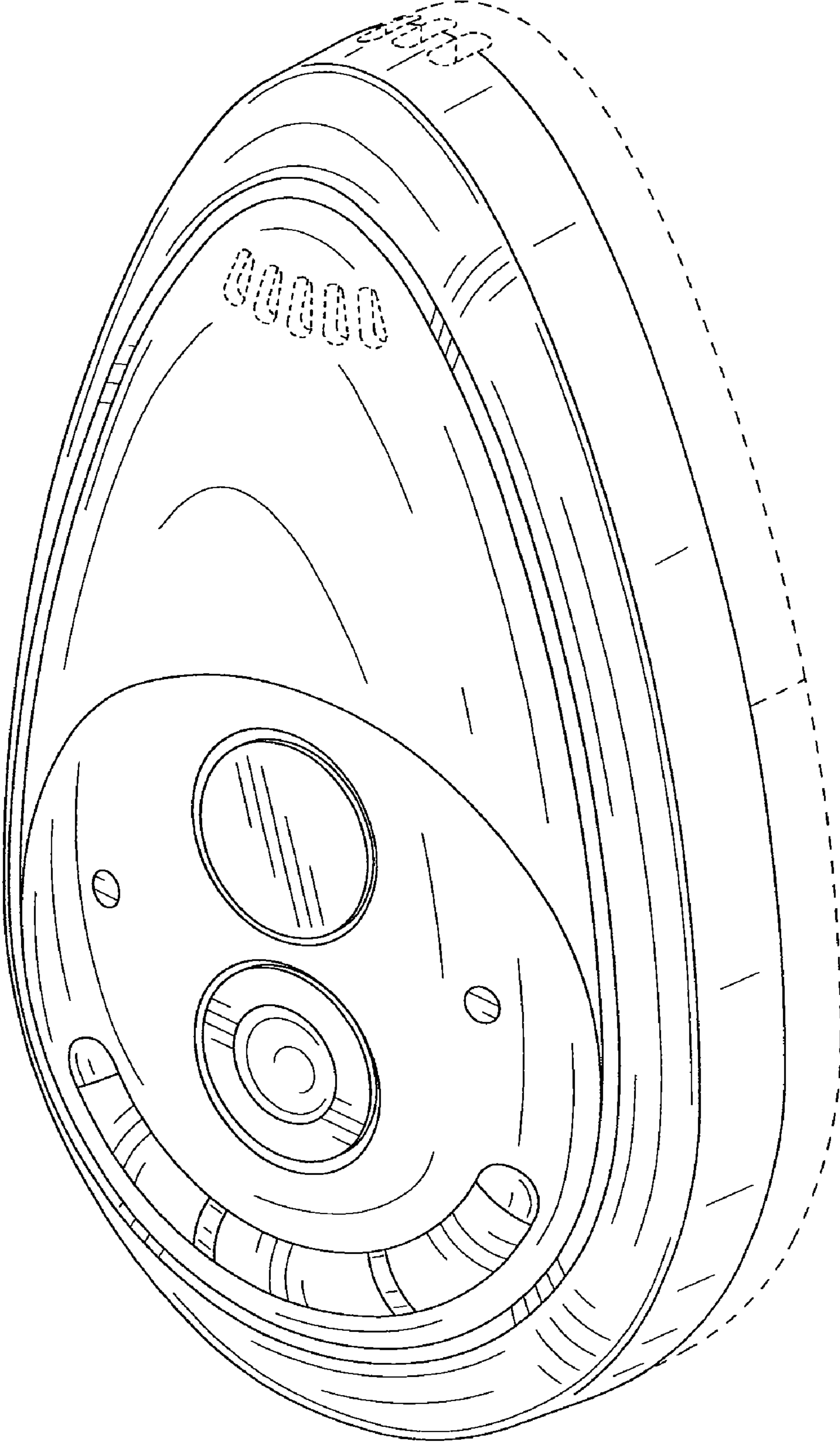
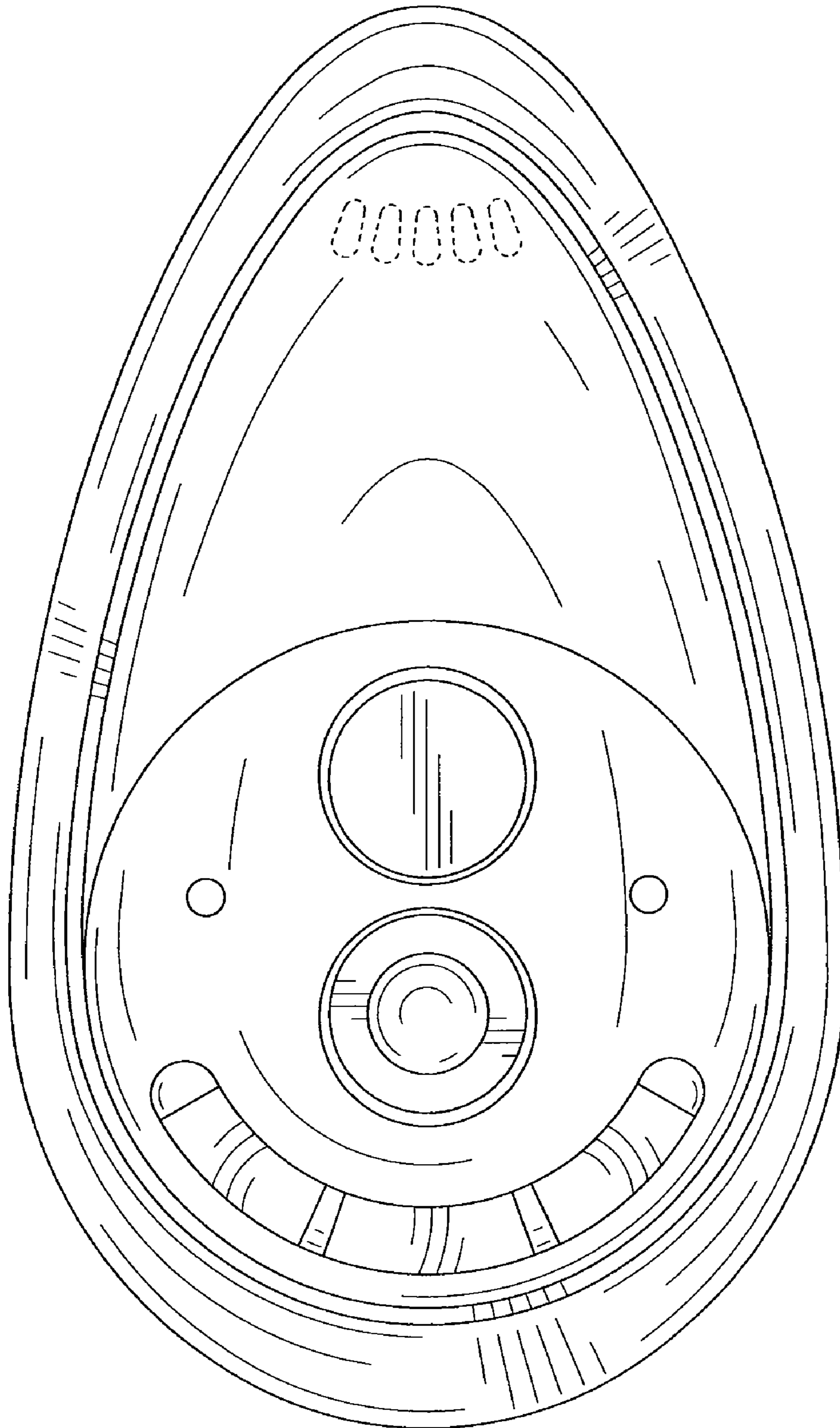


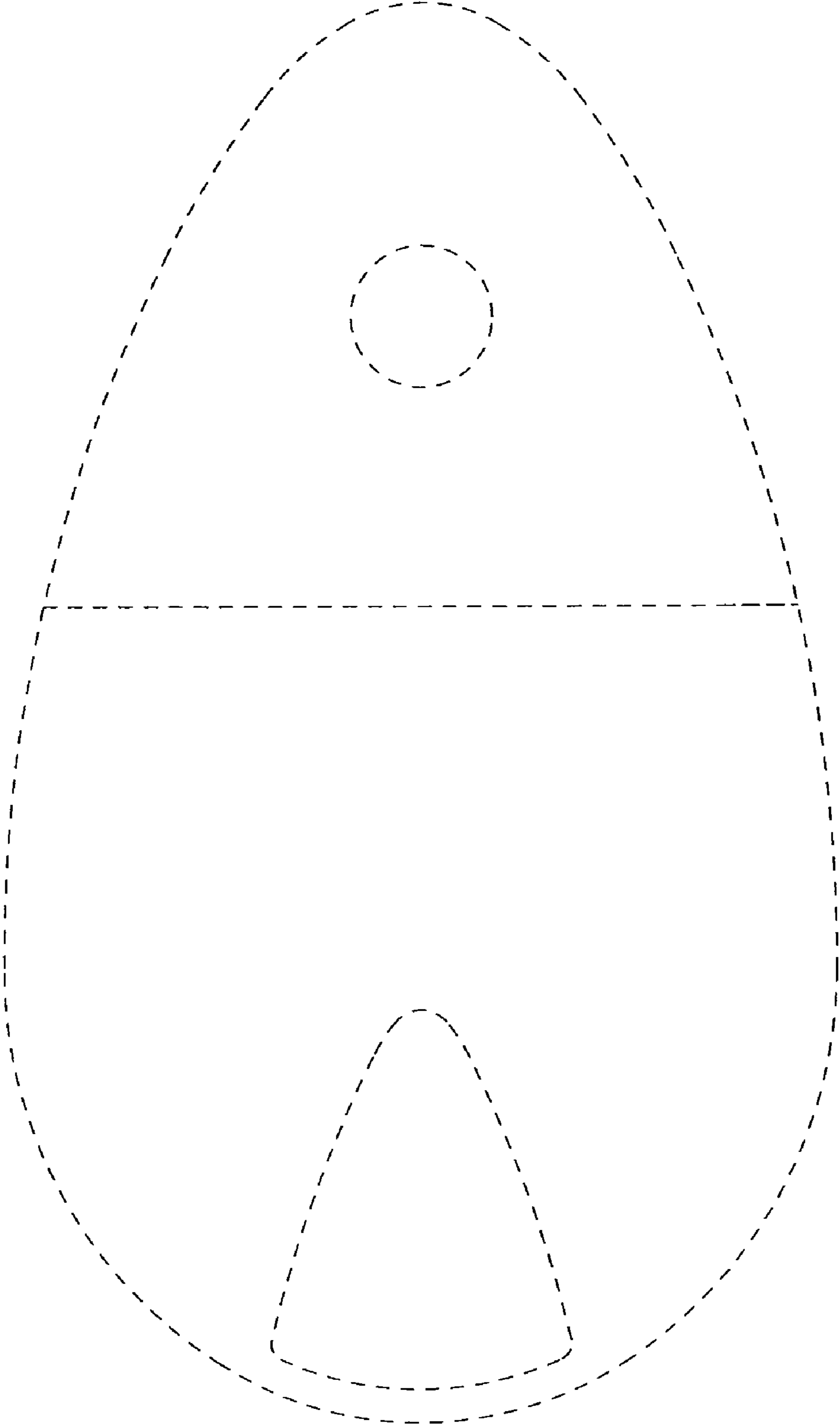
FIG.1



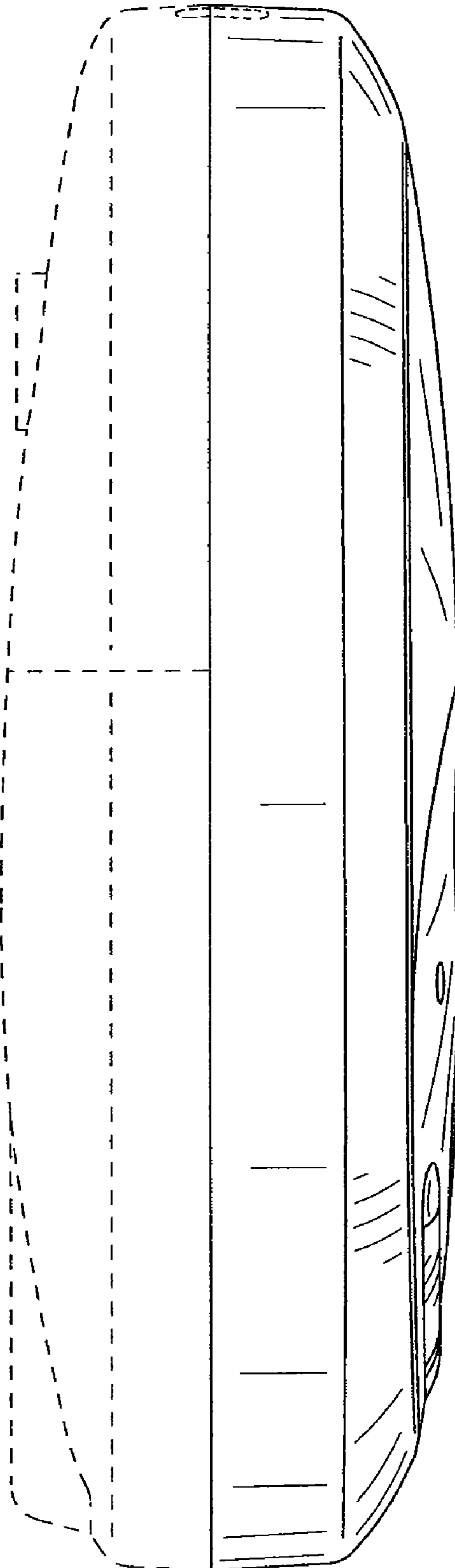
**FIG.2**



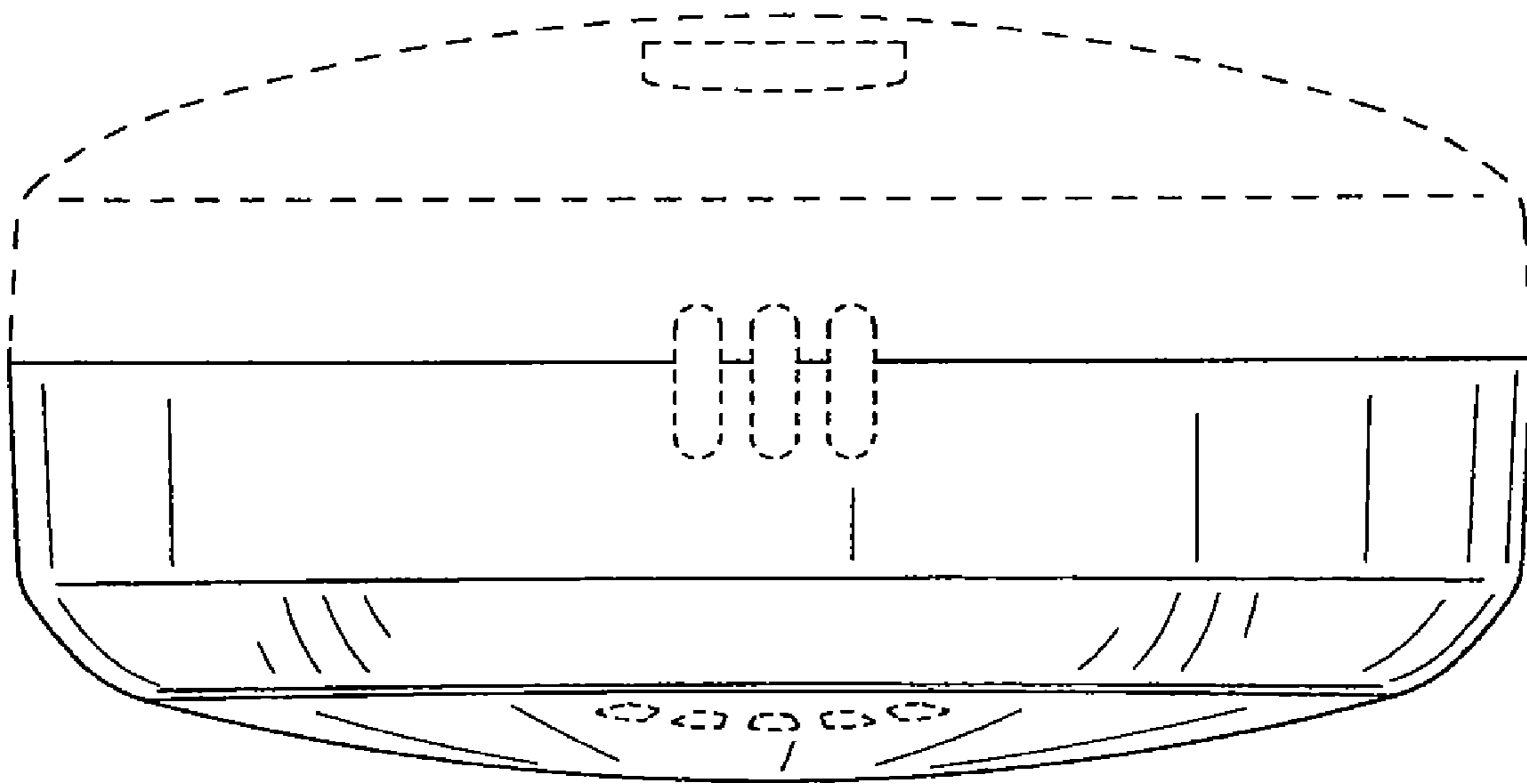
**FIG.3**



**FIG.4**



**FIG.5**



**FIG.6**

