



US00D607437S

(12) **United States Design Patent**
Kamo

(10) **Patent No.:** **US D607,437 S**

(45) **Date of Patent:** **** Jan. 5, 2010**

(54) **SPEAKER**

(75) Inventor: **Shotaro Kamo**, Shizuoka (JP)

(73) Assignee: **Star Micronics Co., Ltd.**, Shizuoka (JP)

(**) Term: **14 Years**

(21) Appl. No.: **29/335,319**

(22) Filed: **Apr. 14, 2009**

(30) **Foreign Application Priority Data**

Oct. 17, 2008 (JP) 2008-026682

(51) **LOC (9) Cl.** **14-01**

(52) **U.S. Cl.** **D14/216**

(58) **Field of Classification Search** D14/204,
D14/207, 209, 209.1, 210–216, 172; 181/143–144,
181/147–148, 150–153, 157, 198–199; 381/300–303,
381/306, 332–333, 336, 345, 361–364, 386–388
See application file for complete search history.

(56) **References Cited**

U.S. PATENT DOCUMENTS

D349,499 S * 8/1994 Collins D14/216
D418,083 S * 12/1999 Wilson, Jr. D11/130.1
D446,785 S * 8/2001 Ohta D14/216
D521,982 S * 5/2006 Schafernak et al. D14/216

D521,983 S * 5/2006 Kuo D14/216
D548,224 S * 8/2007 Taylor D14/216
D560,209 S * 1/2008 Kim et al. D14/215
D565,552 S * 4/2008 Yoshinaga et al. D14/216
2002/0114473 A1 * 8/2002 Kuwabara 381/87

* cited by examiner

Primary Examiner—Nanda Bondade

(74) *Attorney, Agent, or Firm*—Sughrue Mion, PLLC

(57) **CLAIM**

The ornamental design for a speaker, as shown and described.

DESCRIPTION

FIG. 1 is a top perspective view of the speaker according to the present invention;

FIG. 2 is a bottom perspective view thereof;

FIG. 3 is a side view thereof;

FIG. 4 is a side view thereof from the opposite side in FIG. 3;

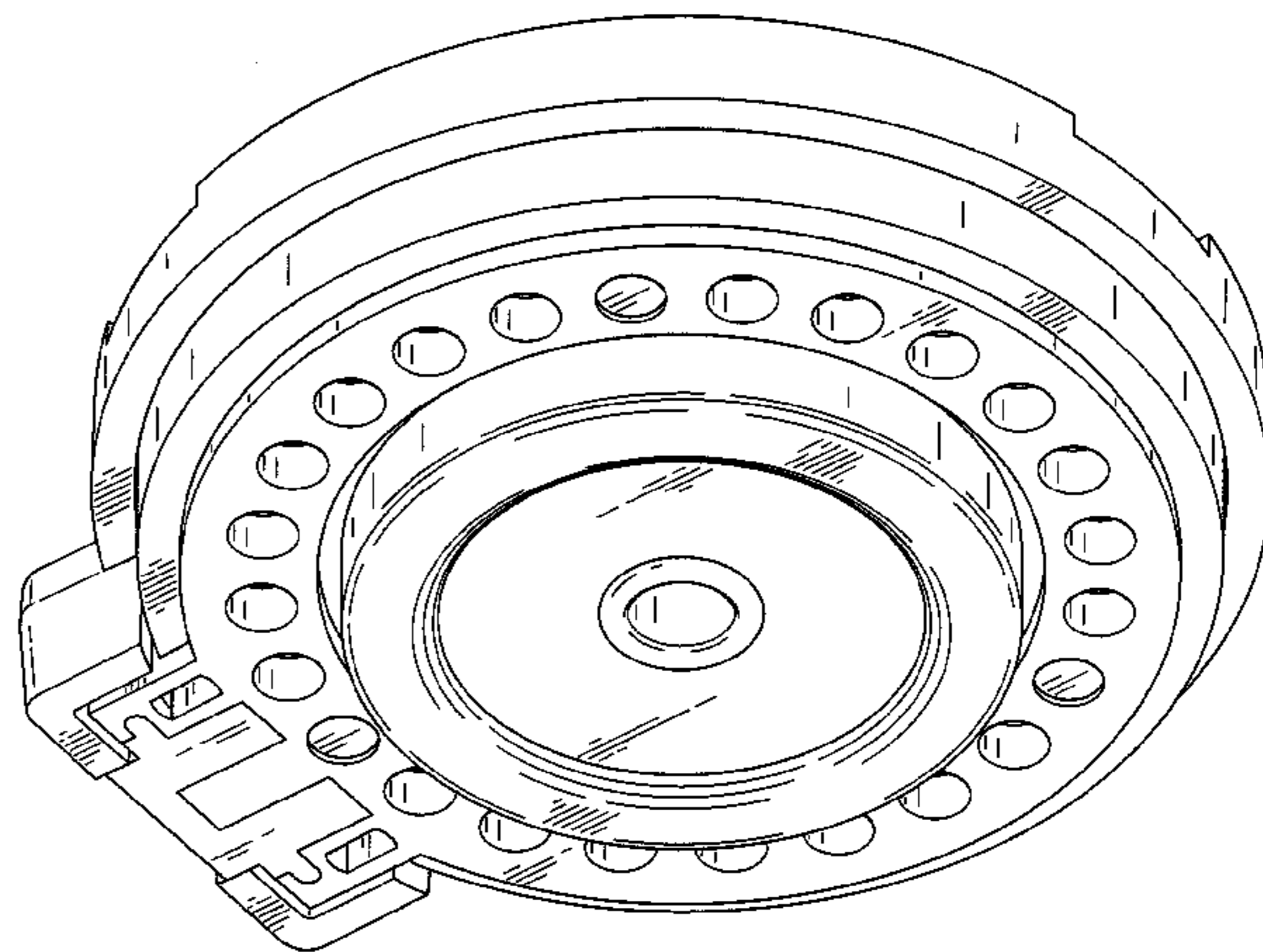
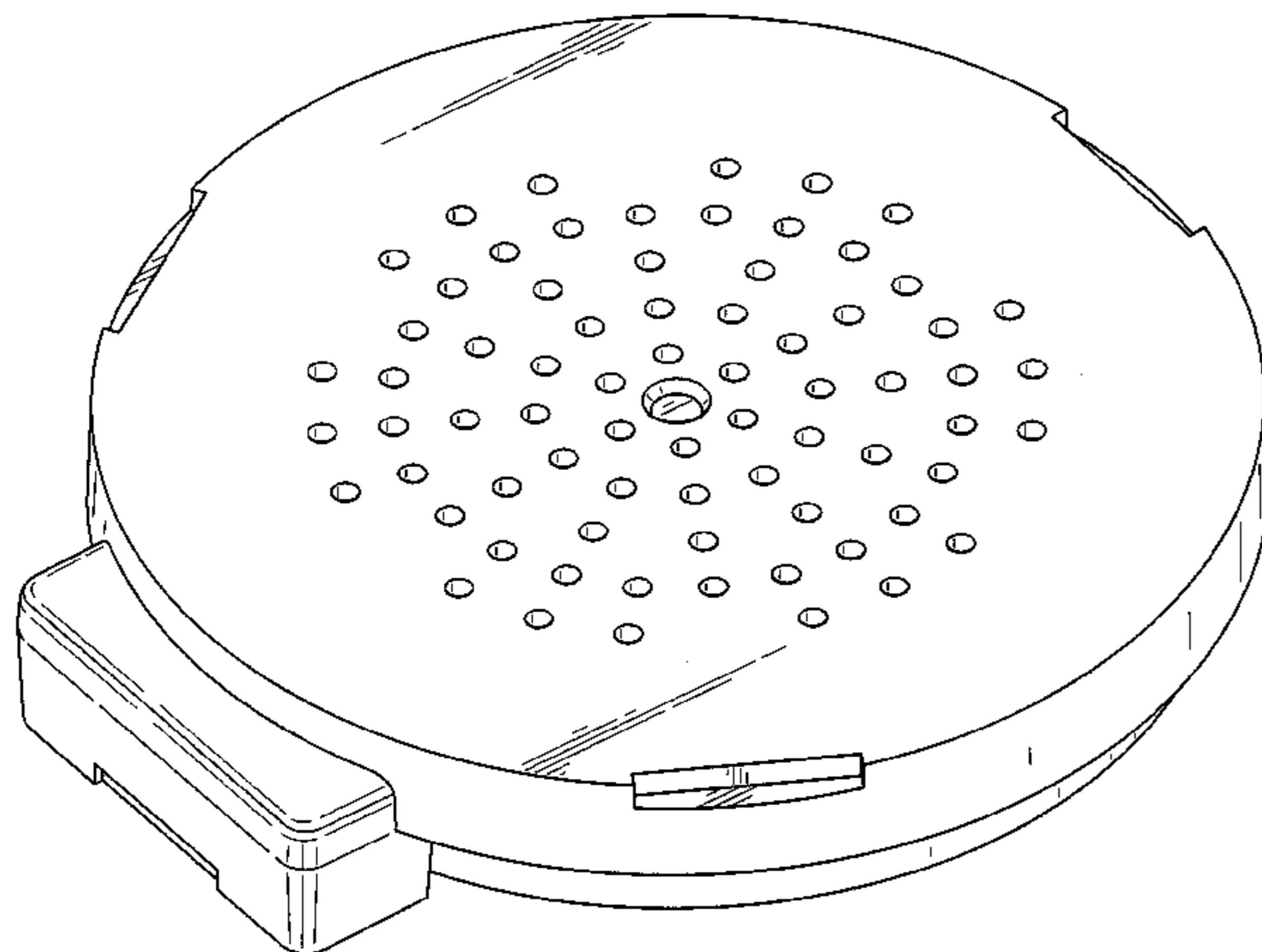
FIG. 5 is a top plan view thereof;

FIG. 6 is a bottom plan view thereof;

FIG. 7 is another side view rotated 90 degrees from the view in FIGS. 3 and 4; and,

FIG. 8 is a cross-sectional view along line 8—8 in FIG. 5.

1 Claim, 6 Drawing Sheets



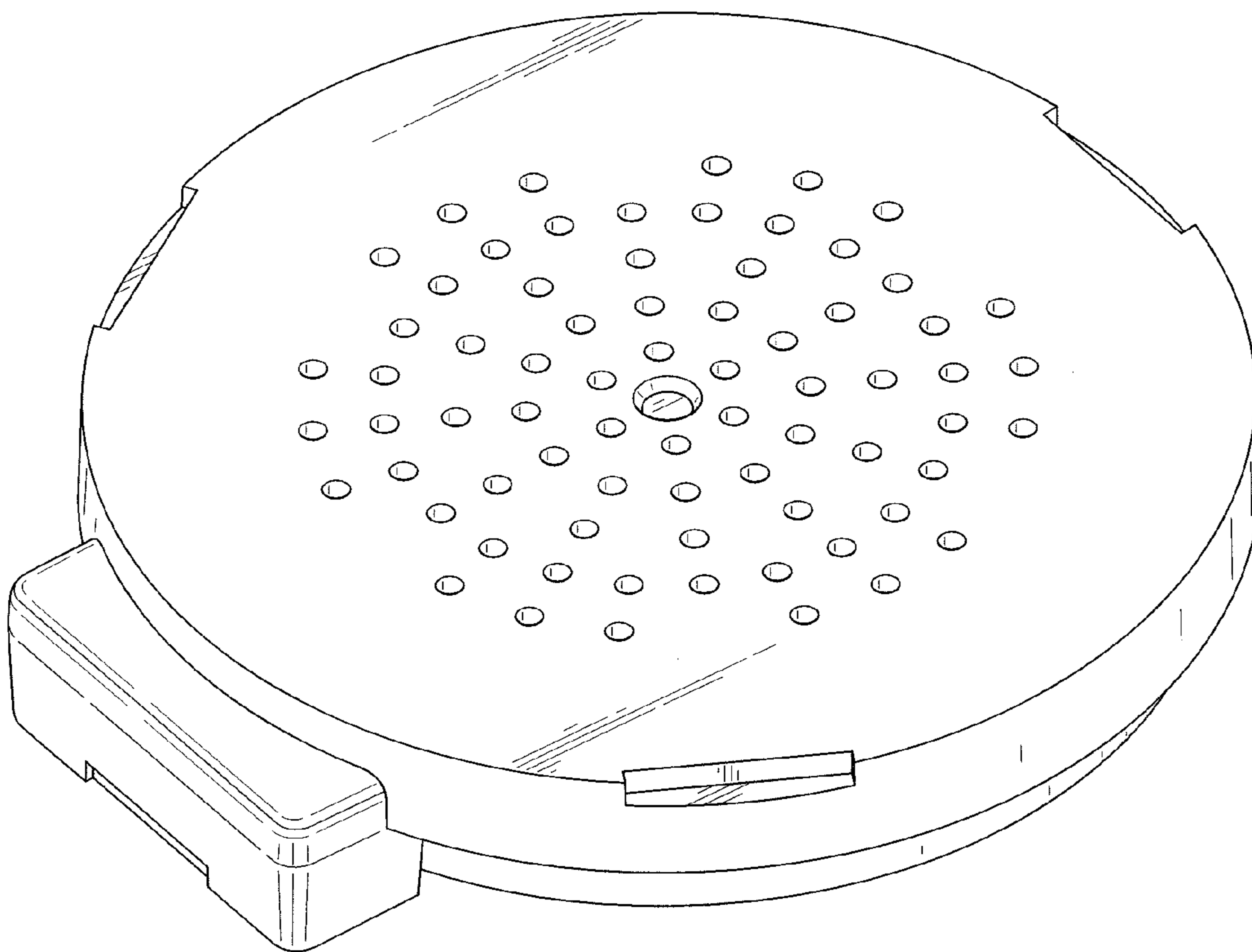


FIG. 1

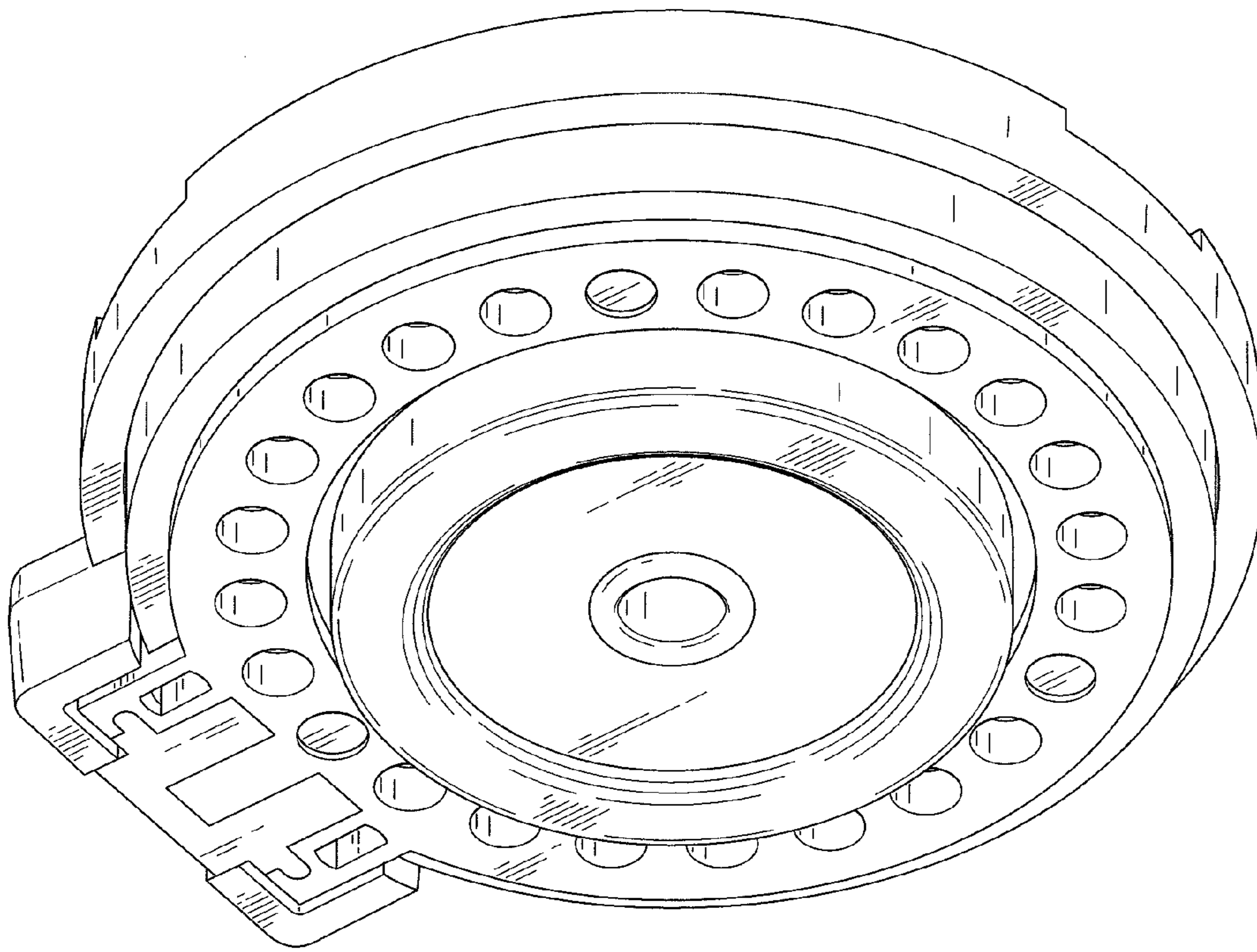


FIG. 2

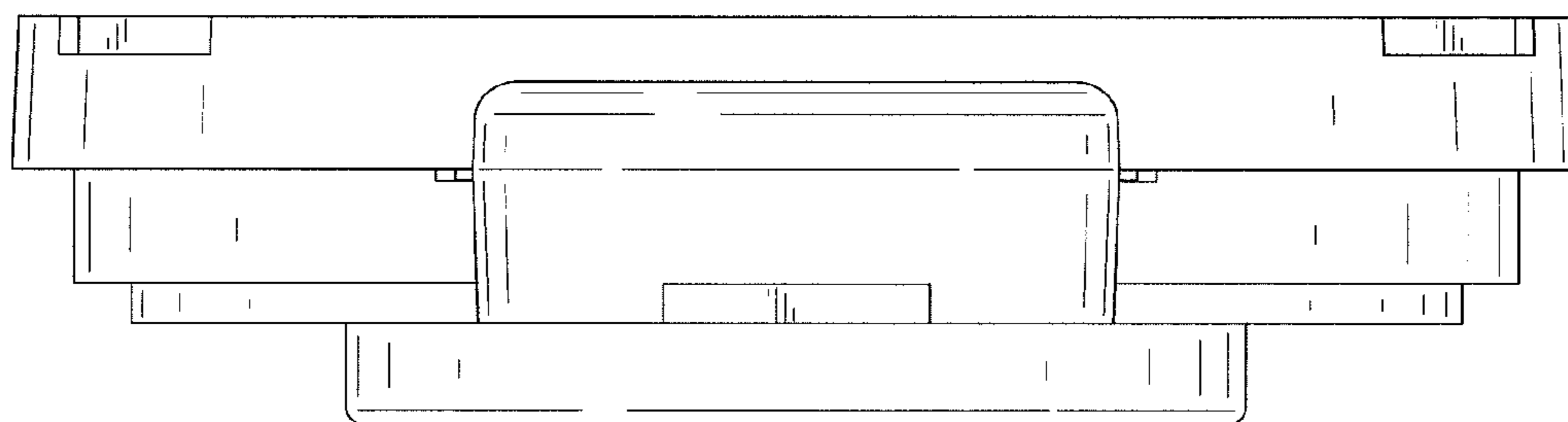


FIG. 3

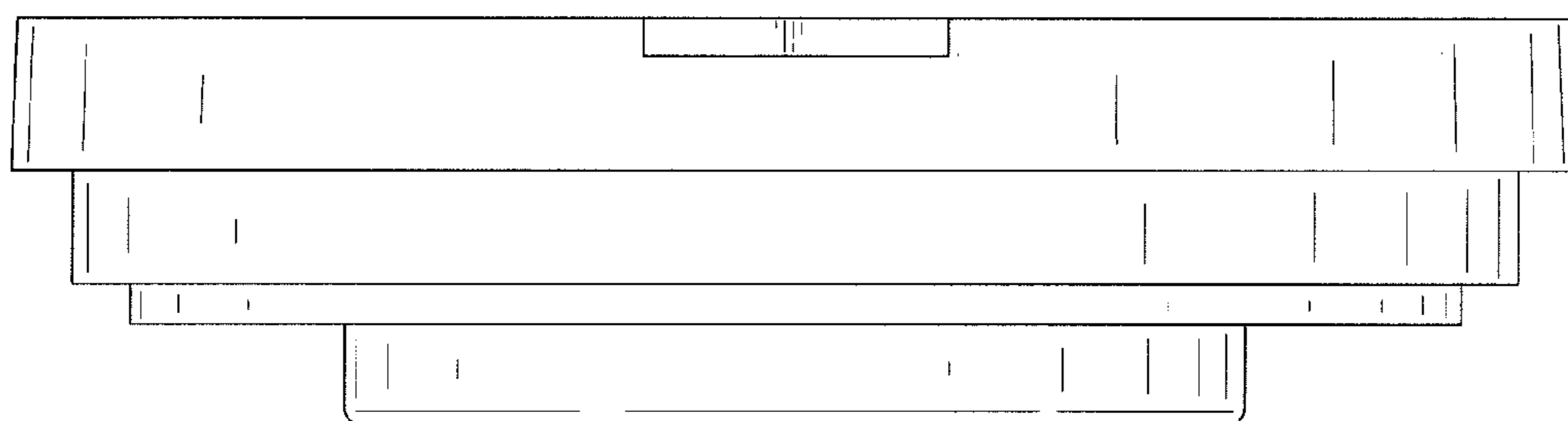


FIG. 4

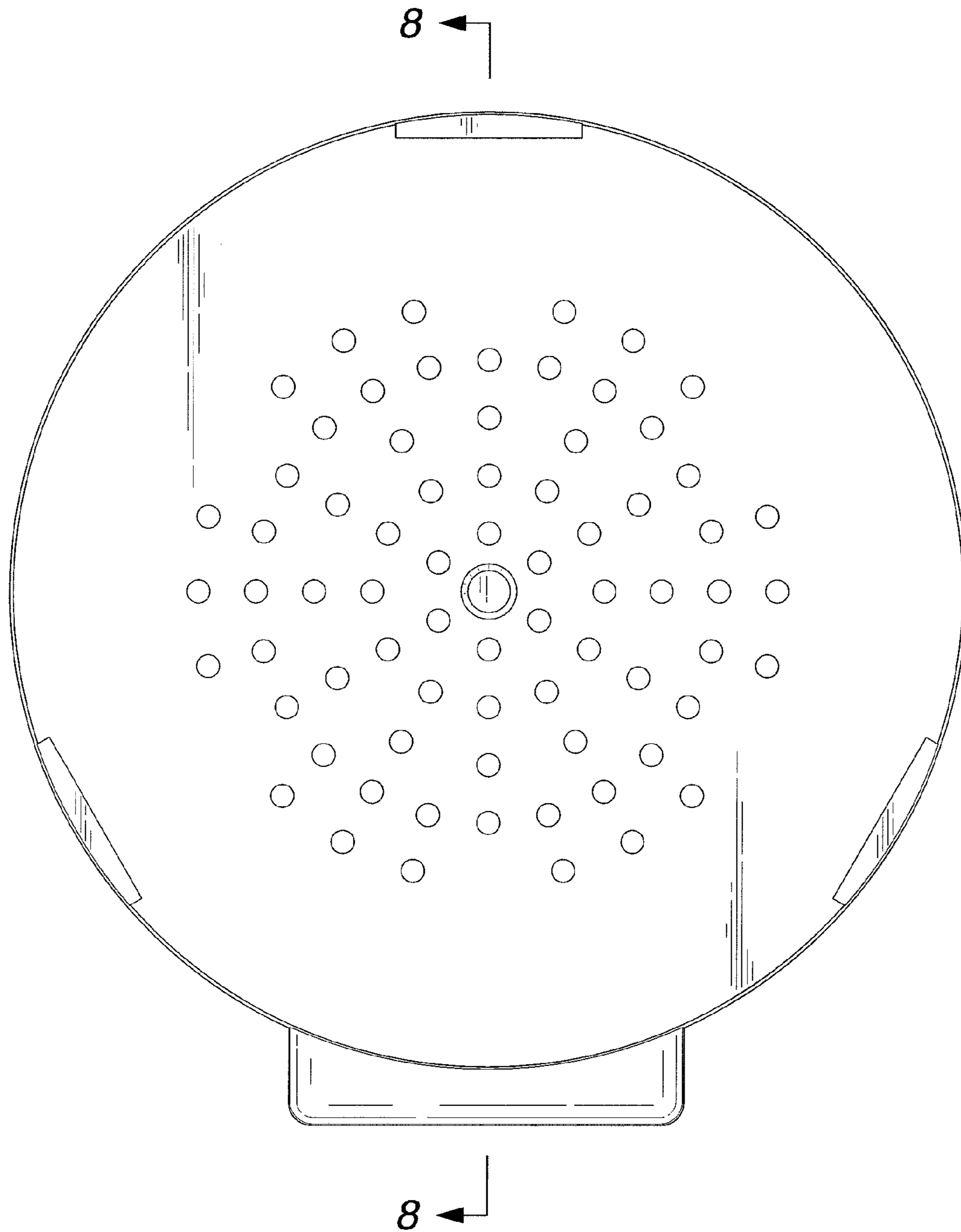


FIG. 5

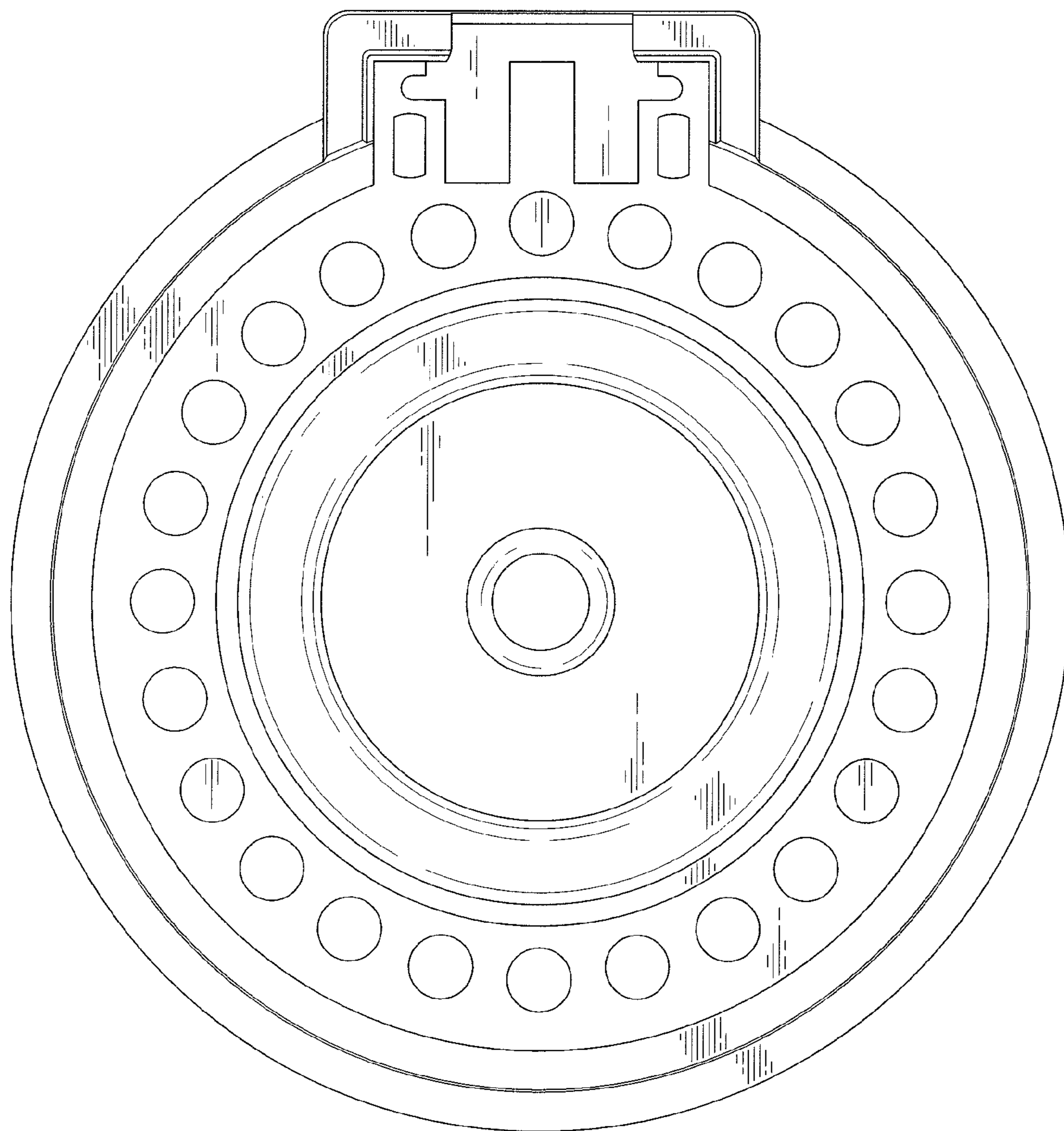


FIG. 6

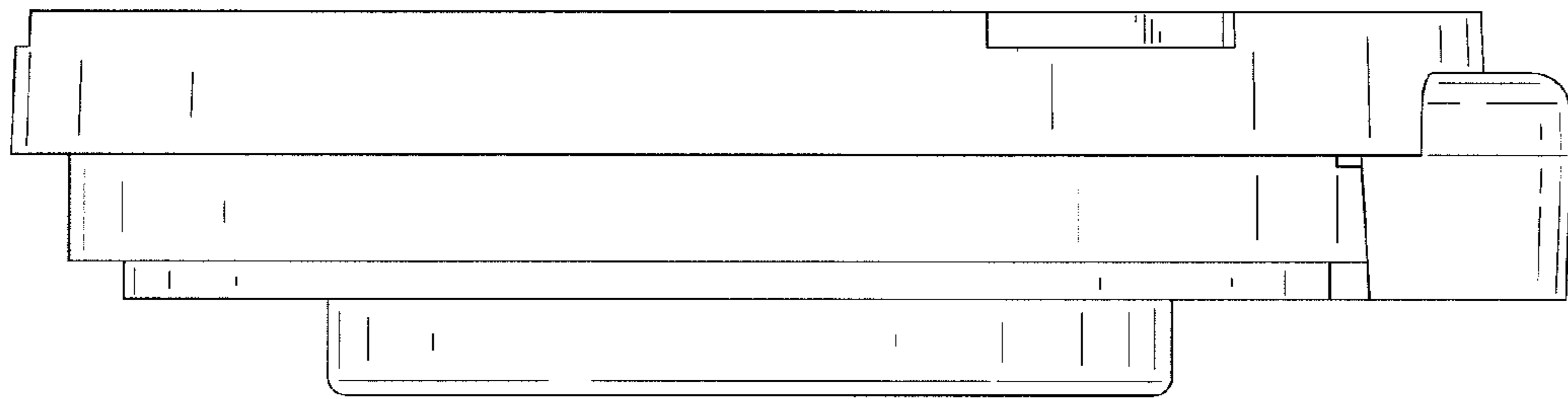


FIG. 7

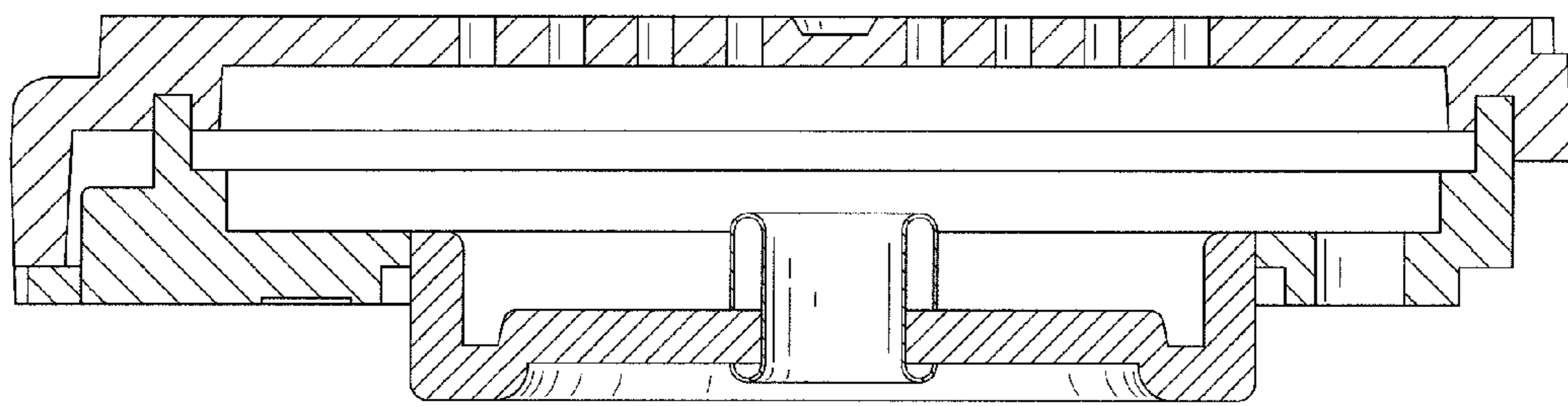


FIG. 8