



US00D607436S

(12) **United States Design Patent**  
**Khoo et al.**

(10) **Patent No.:** **US D607,436 S**  
(45) **Date of Patent:** **\*\* Jan. 5, 2010**

(54) **LOUDSPEAKER**

(75) Inventors: **Soo Beng Damien Khoo**, Singapore (SG); **Huang Pheng Vince Ang**, Singapore (SG); **Swee Leong Ang**, Singapore (SG)

(73) Assignee: **Creative Technology Ltd**, Singapore (SG)

(\*\*) Term: **14 Years**

(21) Appl. No.: **29/333,812**

(22) Filed: **Mar. 16, 2009**

(51) **LOC (9) Cl.** ..... **14-01**

(52) **U.S. Cl.** ..... **D14/215; D14/214**

(58) **Field of Classification Search** ..... D14/204, D14/210–216, 172; 181/143–144, 147–148, 181/150–153, 157, 198–199; 381/300–303, 381/306, 332–333, 336, 345, 361–364, 386–388  
See application file for complete search history.

(56) **References Cited**

**U.S. PATENT DOCUMENTS**

D282,255 S \* 1/1986 Ross ..... D14/214  
D384,668 S \* 10/1997 Yoneda ..... D14/214  
D497,359 S \* 10/2004 Tanoni ..... D14/214  
D500,305 S \* 12/2004 Lin et al. .... D14/215

D501,197 S \* 1/2005 Tanoni ..... D14/214

\* cited by examiner

*Primary Examiner*—Nanda Bondade

(74) *Attorney, Agent, or Firm*—Kennedy Koblin

(57) **CLAIM**

The ornamental design for a loudspeaker, substantially as shown and described.

**DESCRIPTION**

FIG. 1 is a front perspective view of the loudspeaker in accordance with the present design;

FIG. 2 is a front perspective view of the loudspeaker as shown in FIG. 1 with a mounted front cover in accordance with the present design;

FIG. 3 is a rear perspective view of the loudspeaker shown in FIG. 1;

FIG. 4 is a front view of the loudspeaker shown in FIG. 1;

FIG. 5 is a back view of the loudspeaker shown in FIG. 1;

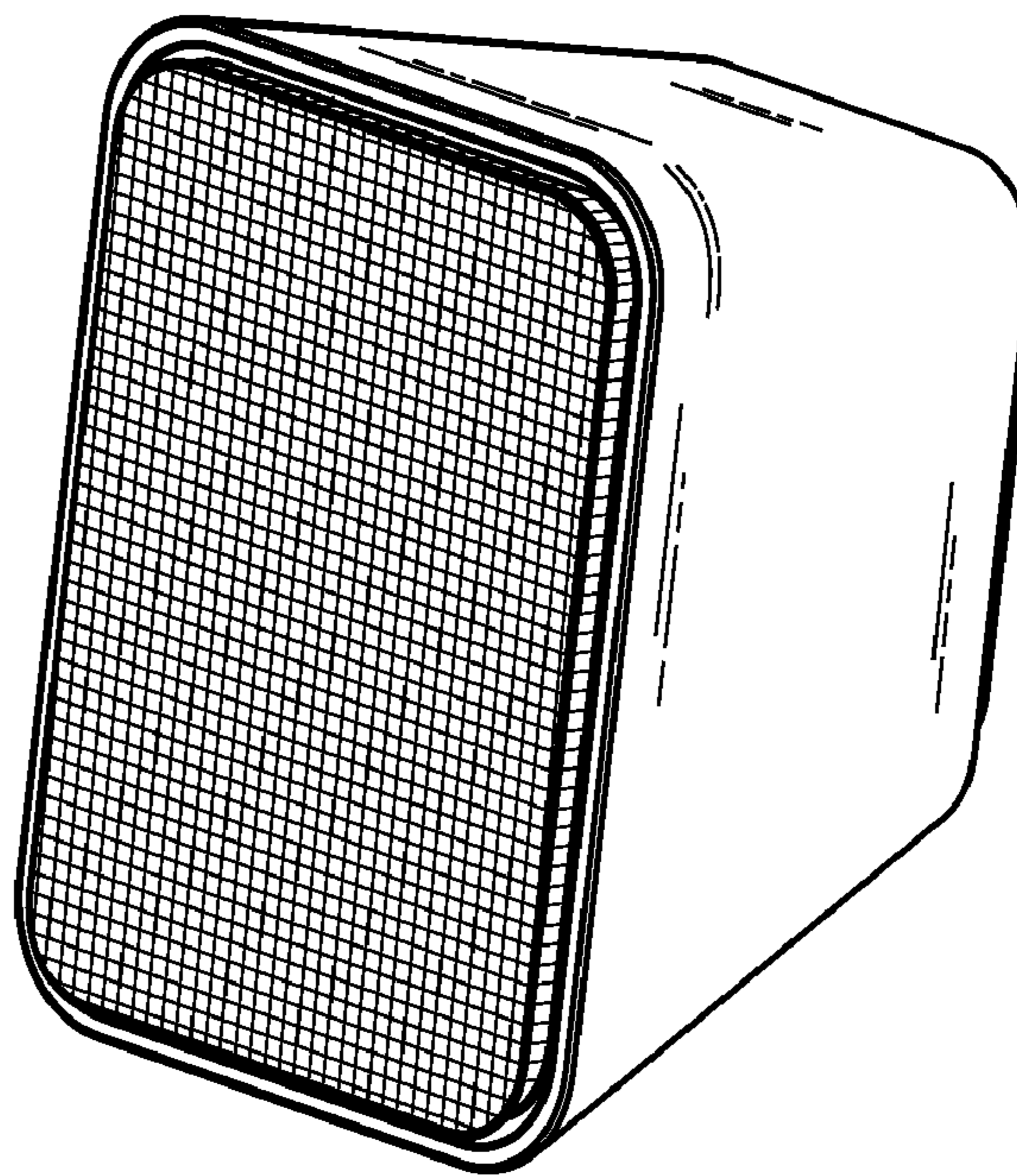
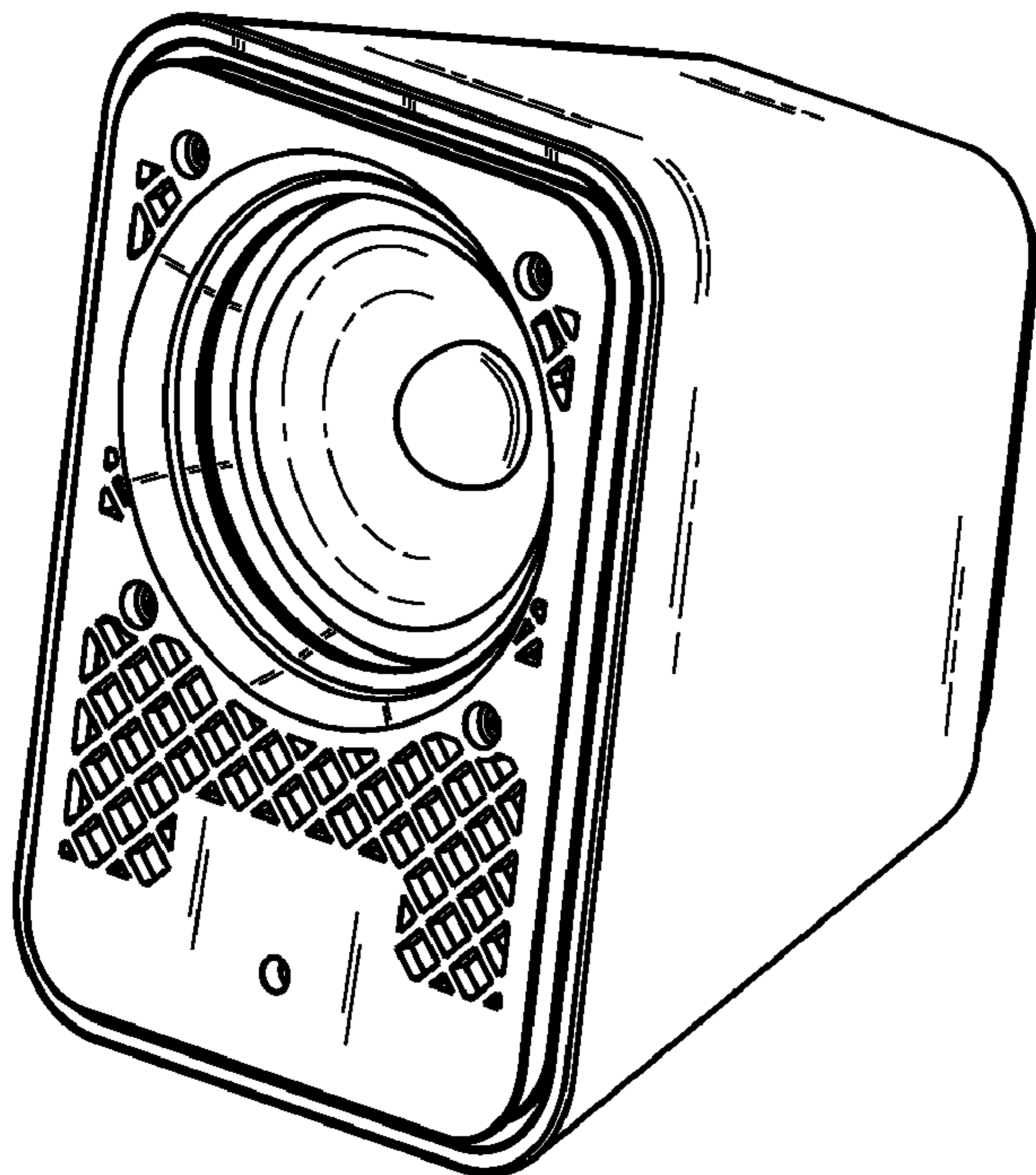
FIG. 6 is a left view of the loudspeaker shown in FIG. 1;

FIG. 7 is a right view of the loudspeaker shown in FIG. 1;

FIG. 8 is a top view of the loudspeaker shown in FIG. 1; and,

FIG. 9 is a bottom view of the loudspeaker shown in FIG. 1.

**1 Claim, 4 Drawing Sheets**



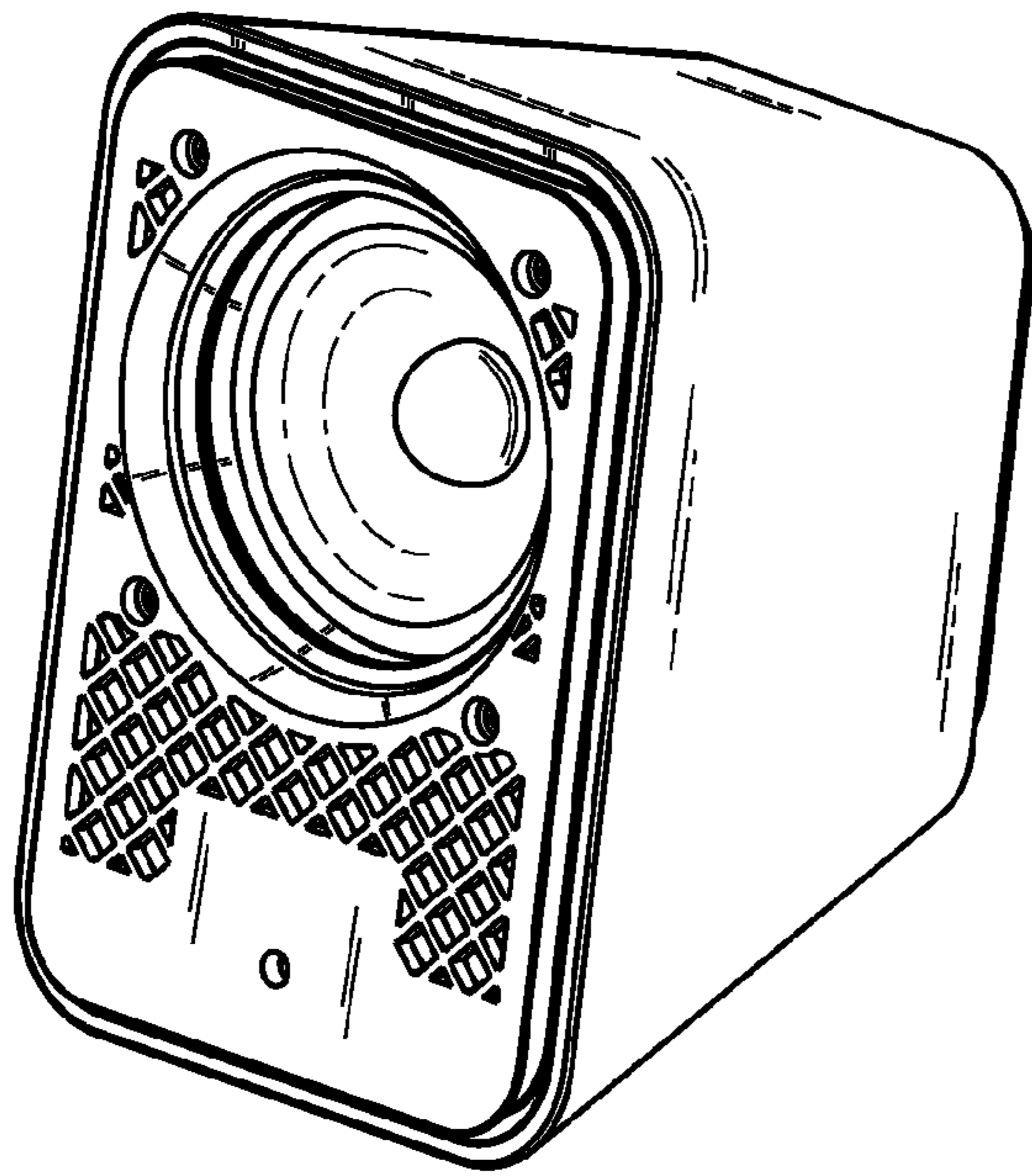


FIG. 1

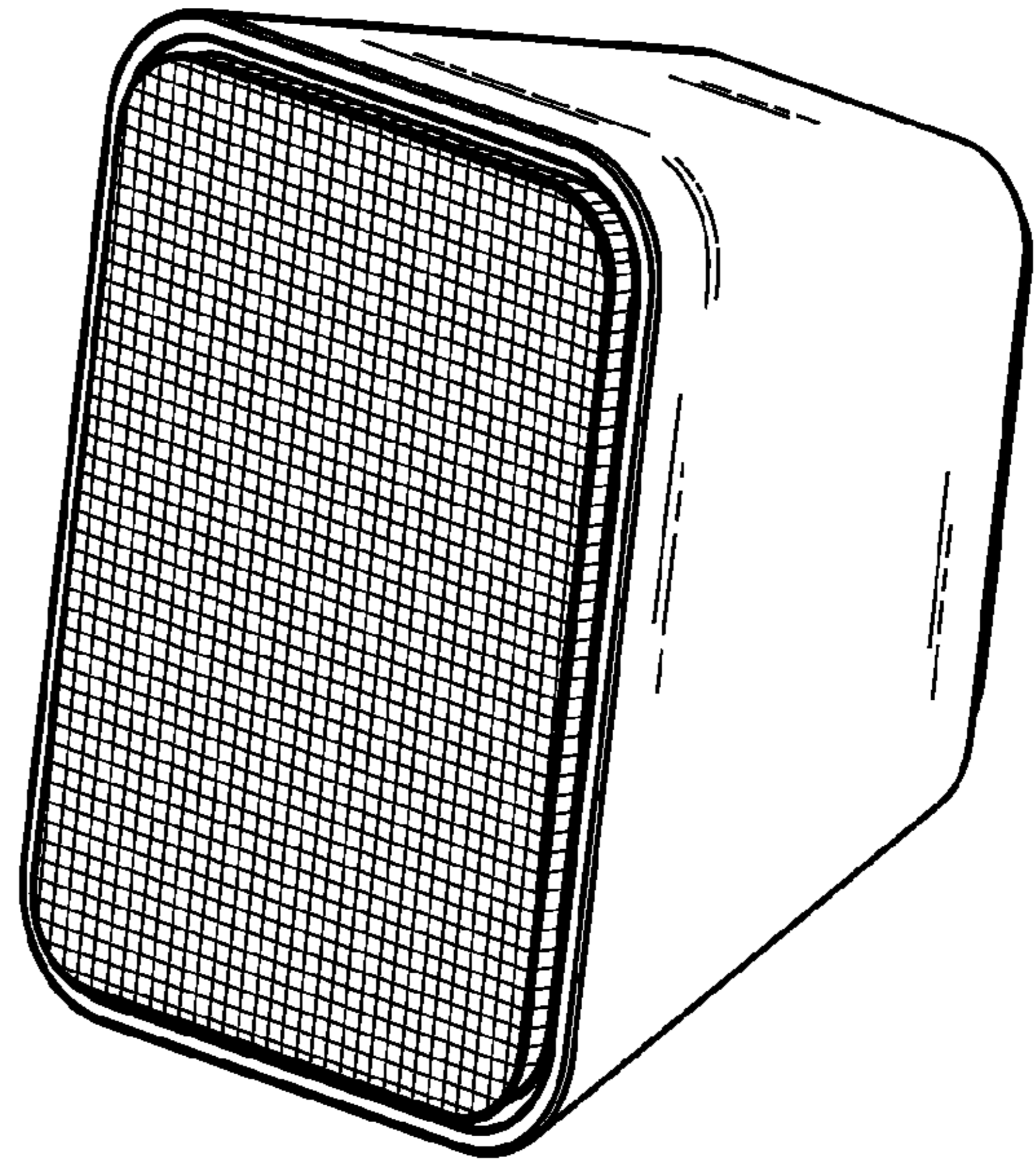


FIG. 2

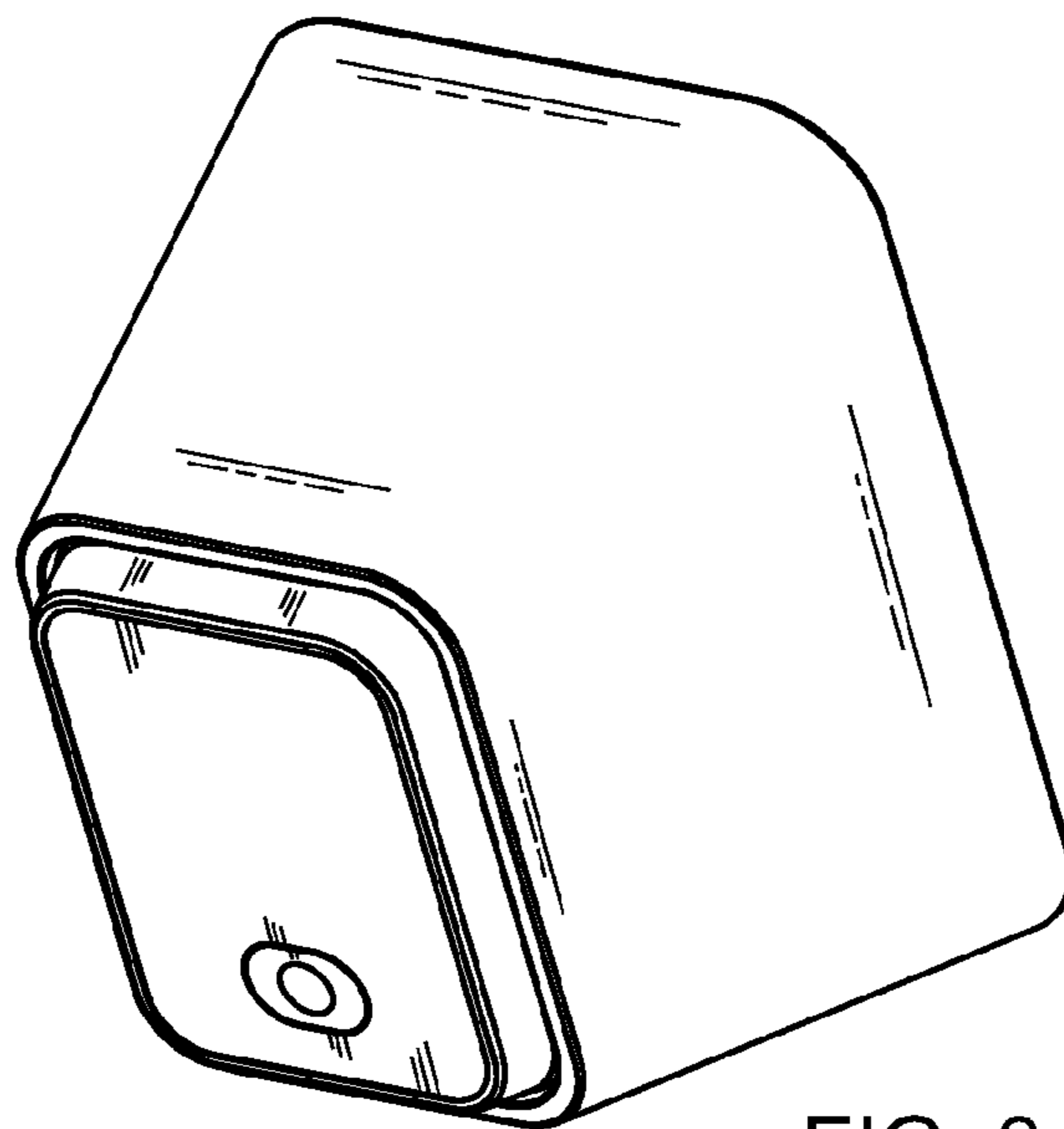


FIG. 3

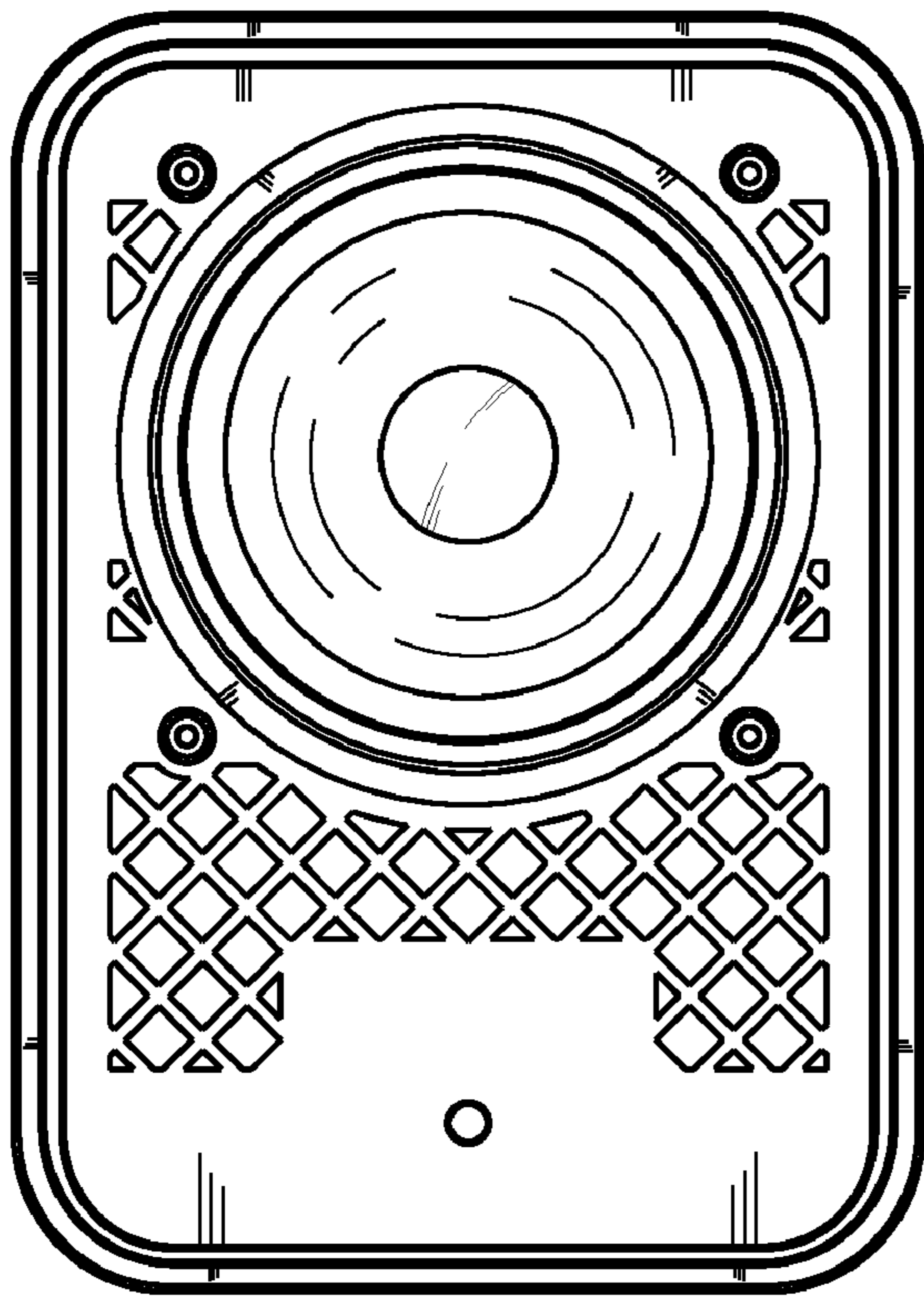


FIG. 4

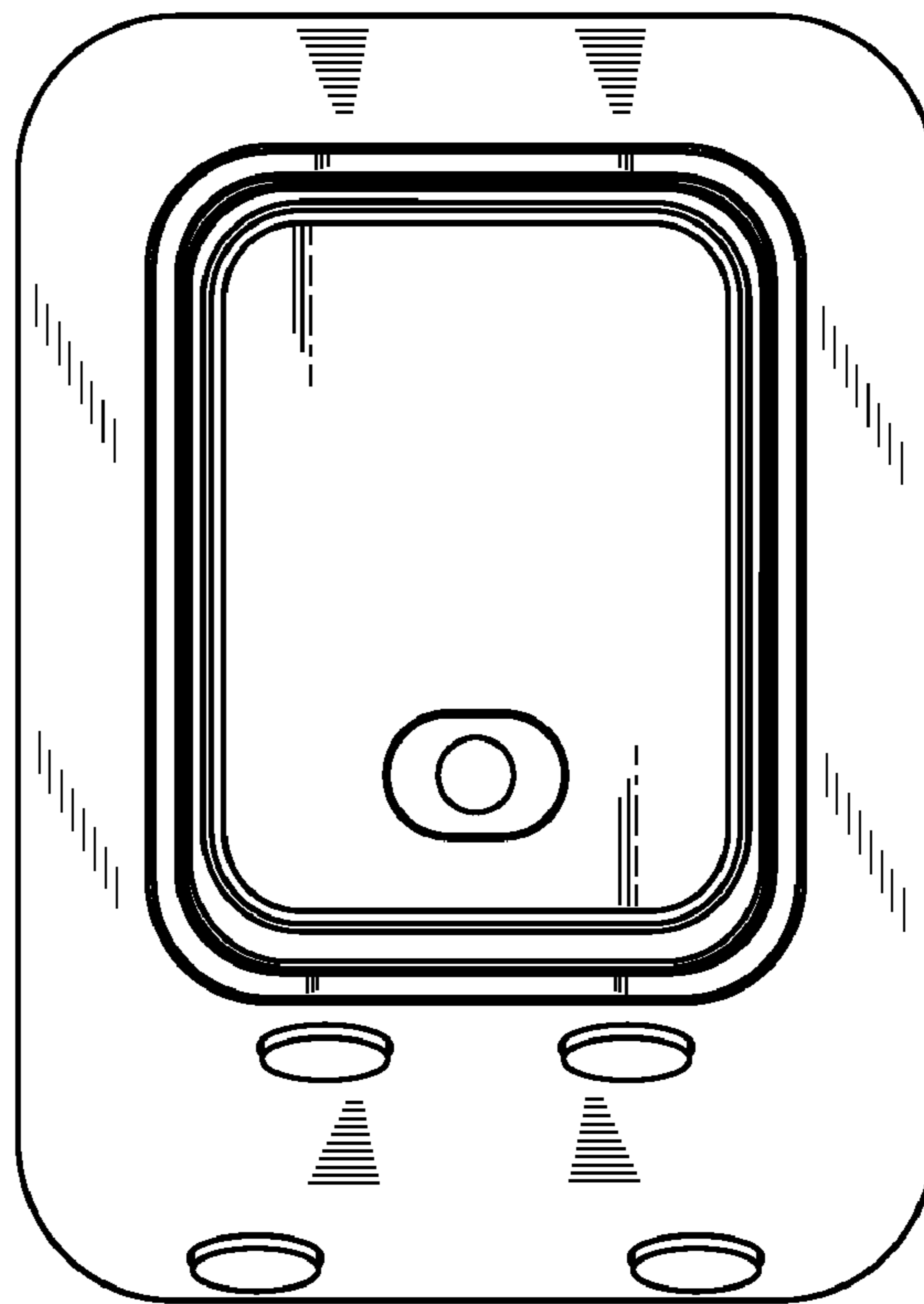


FIG. 5

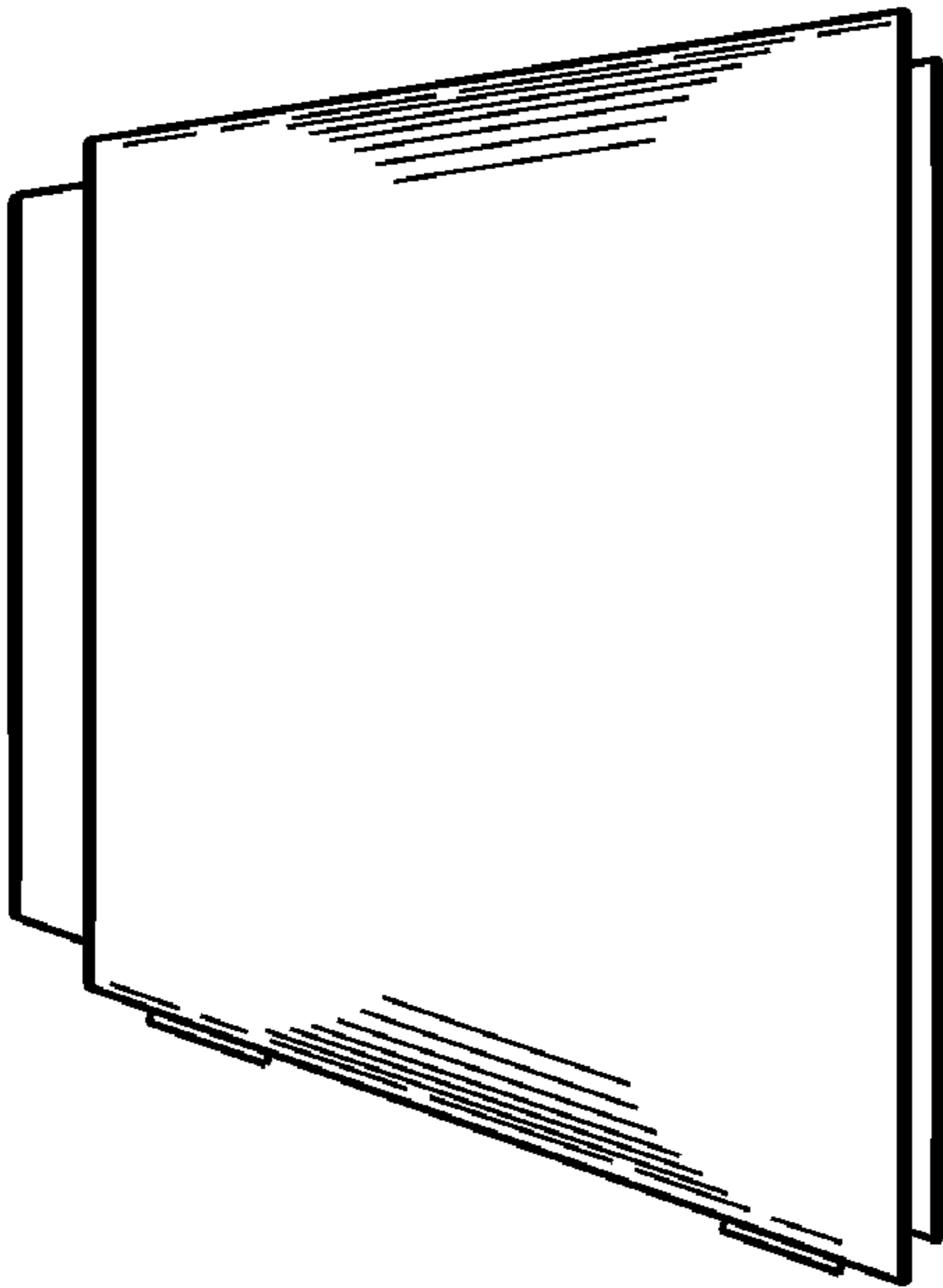


FIG. 6

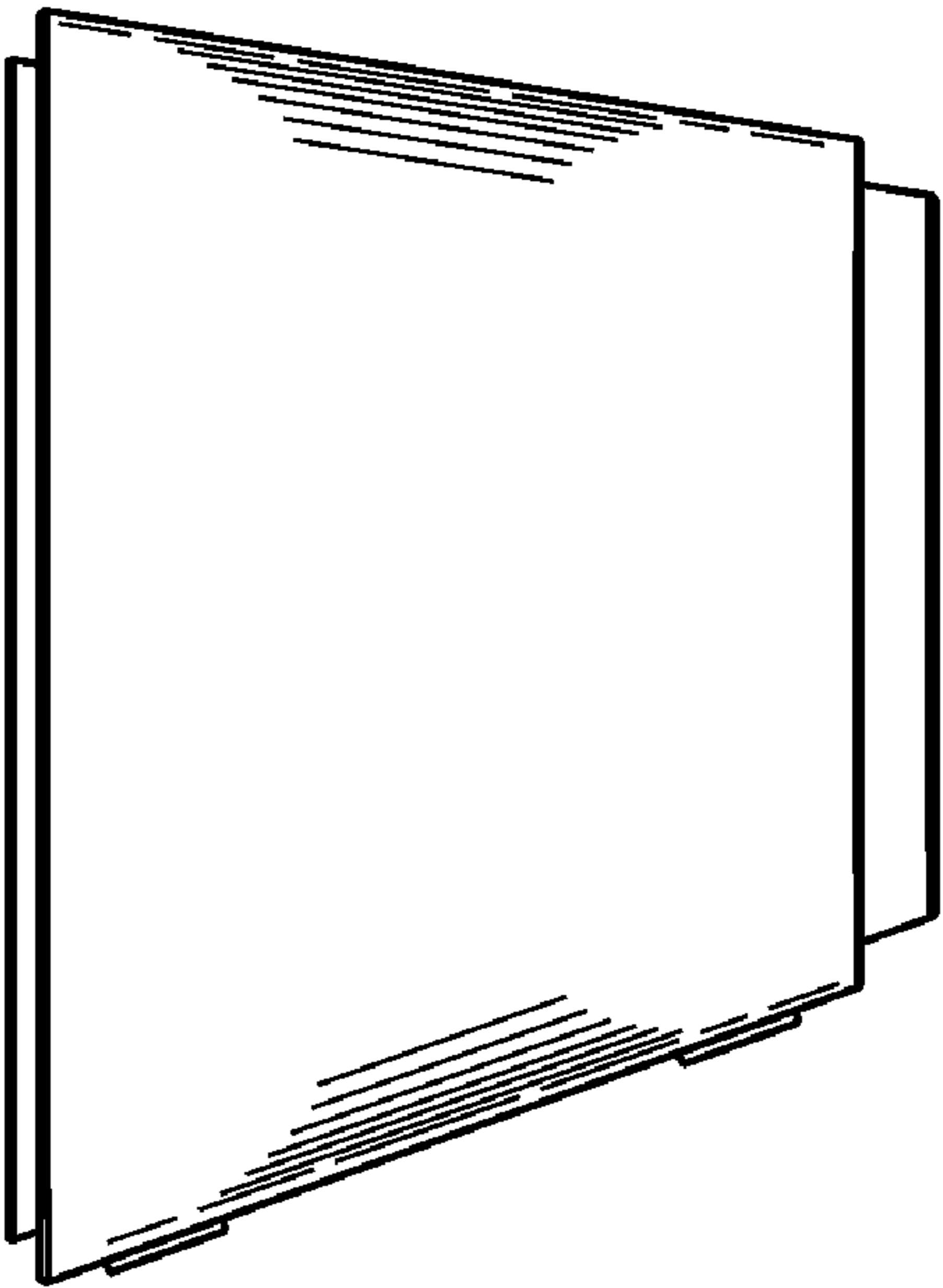


FIG. 7

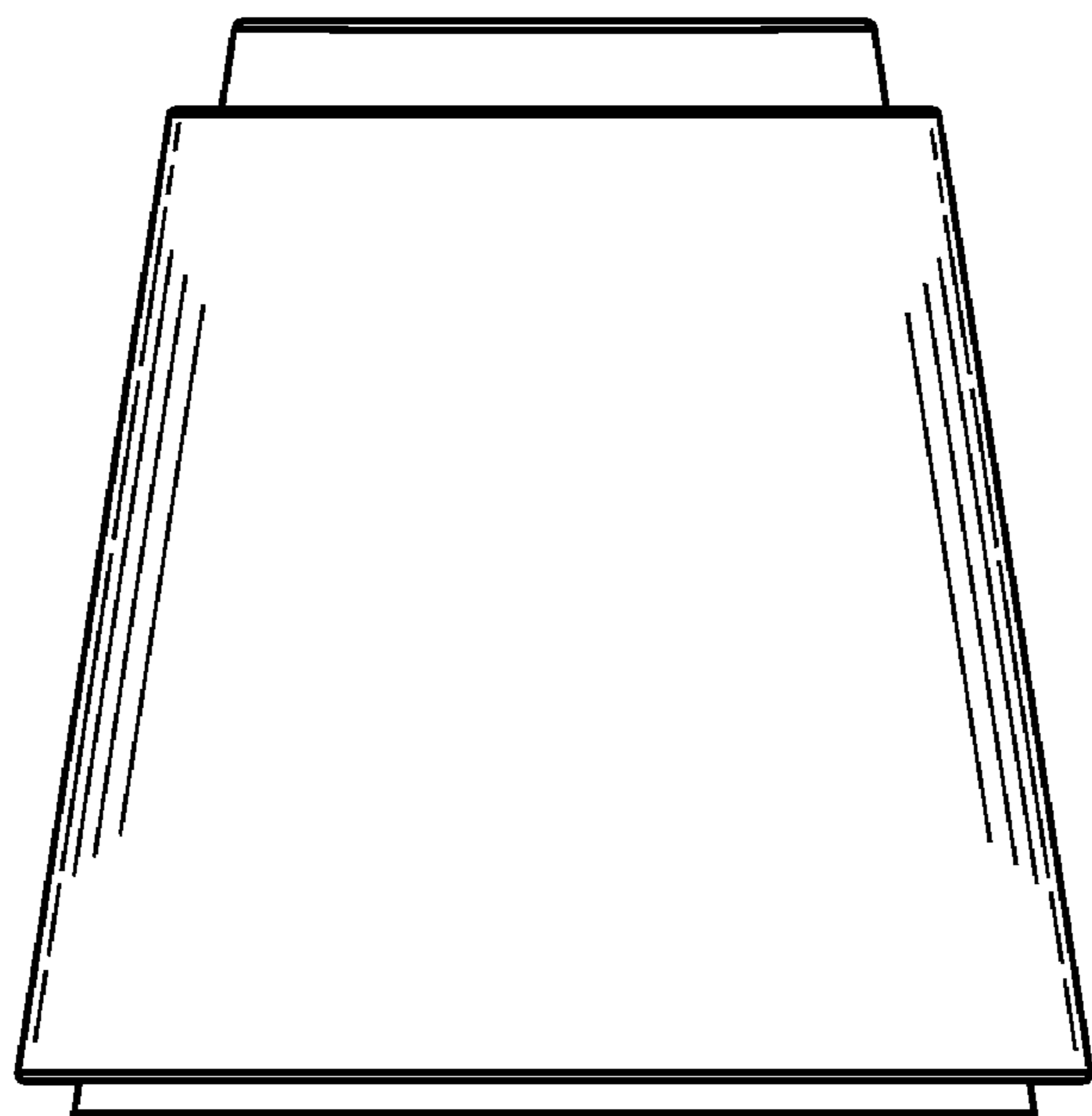


FIG. 8

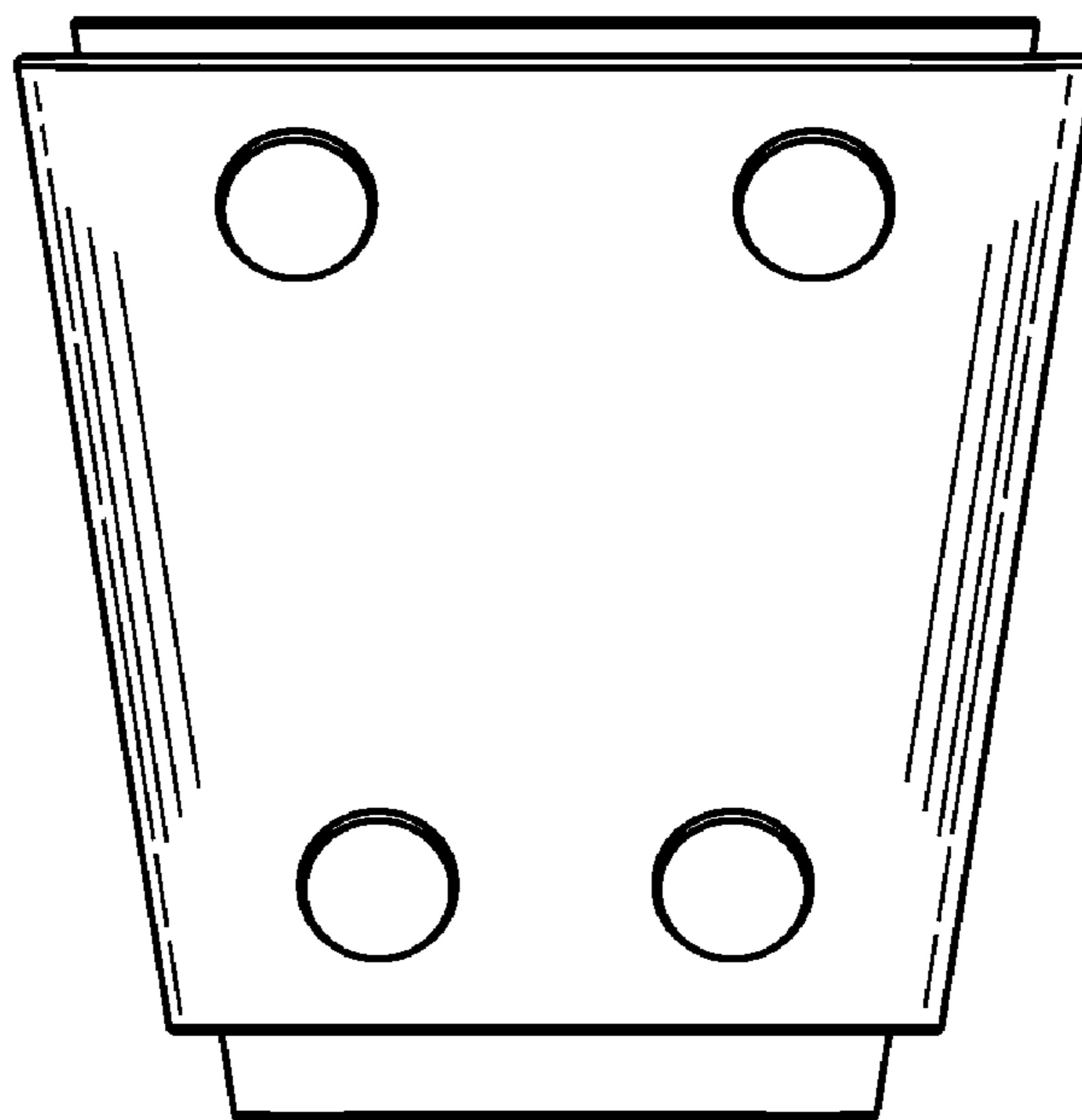


FIG. 9