



US00D607434S

(12) **United States Design Patent**
Miyazawa et al.

(10) **Patent No.:** **US D607,434 S**

(45) **Date of Patent:** **** Jan. 5, 2010**

(54) **PORTABLE AUDIO TRANSCEIVER**

(75) Inventors: **Kiyoshi Miyazawa, Yao (JP); Shunji Muraoka, Yao (JP)**

(73) Assignee: **Hosiden Corporation, Osaka (JP)**

(**) Term: **14 Years**

(21) Appl. No.: **29/322,156**

(22) Filed: **Jul. 30, 2008**

(30) **Foreign Application Priority Data**

Mar. 11, 2008 (JP) 2008-005968

(51) **LOC (9) Cl.** **14-01**

(52) **U.S. Cl.** **D14/203.3**

(58) **Field of Classification Search** D14/496,
D14/498-511, 167-168, 203.1-203.8, 401,
D14/435, 474, 483; 360/99.02, 99.07; 369/75.11,
369/75.21, 77.11, 77.21; 720/601, 612, 619,
720/649, 655; 455/344, 347-351; 345/7.9,
345/156, 169, 173-179, 905
See application file for complete search history.

(56) **References Cited**

U.S. PATENT DOCUMENTS

5,137,808 A * 8/1992 Ullman et al. 435/7.9
D490,068 S * 5/2004 Chen D14/203.3
D504,409 S * 4/2005 Kim D14/203.3

D512,403 S * 12/2005 Yang D14/203.3
D514,590 S * 2/2006 Naruki D14/203.3
D526,331 S * 8/2006 Lee D14/203.7
D537,808 S * 3/2007 Lee D14/203.7

* cited by examiner

Primary Examiner—Nanda Bondade

(74) *Attorney, Agent, or Firm*—Panitch Schwarze Belisario & Nadel LLP

(57) **CLAIM**

The ornamental design for a portable audio transceiver, as shown and described.

DESCRIPTION

FIG. 1 is a front, left side and top perspective view of a portable audio transceiver in accordance with an embodiment of our new design;

FIG. 2 is a front, left side and bottom perspective view thereof;

FIG. 3 is a front elevation view thereof;

FIG. 4 is a rear view thereof;

FIG. 5 is a left side view thereof;

FIG. 6 is a right side view thereof;

FIG. 7 is a top plan view thereof; and

FIG. 8 is a bottom plan view thereof.

1 Claim, 3 Drawing Sheets

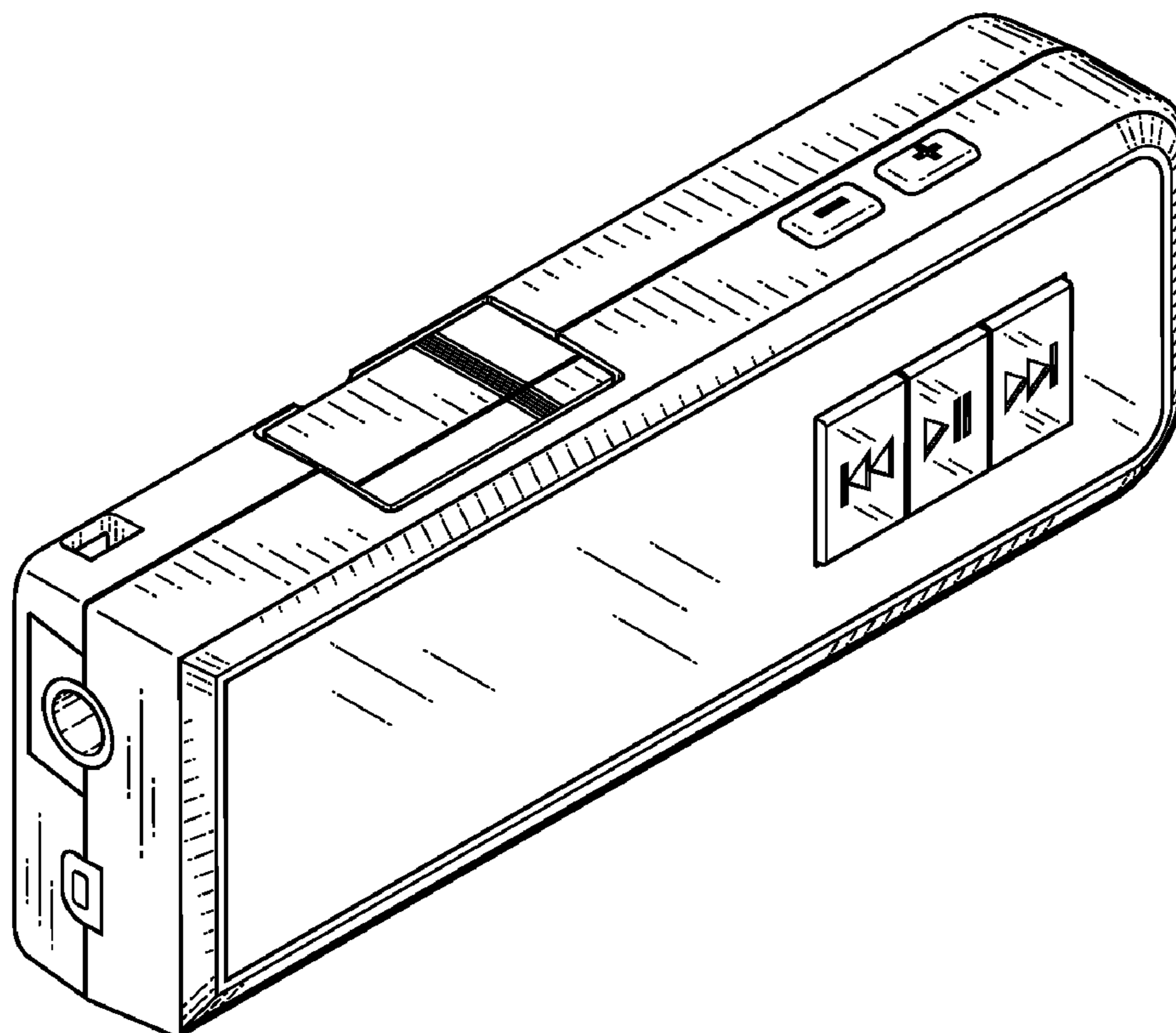


Fig. 1

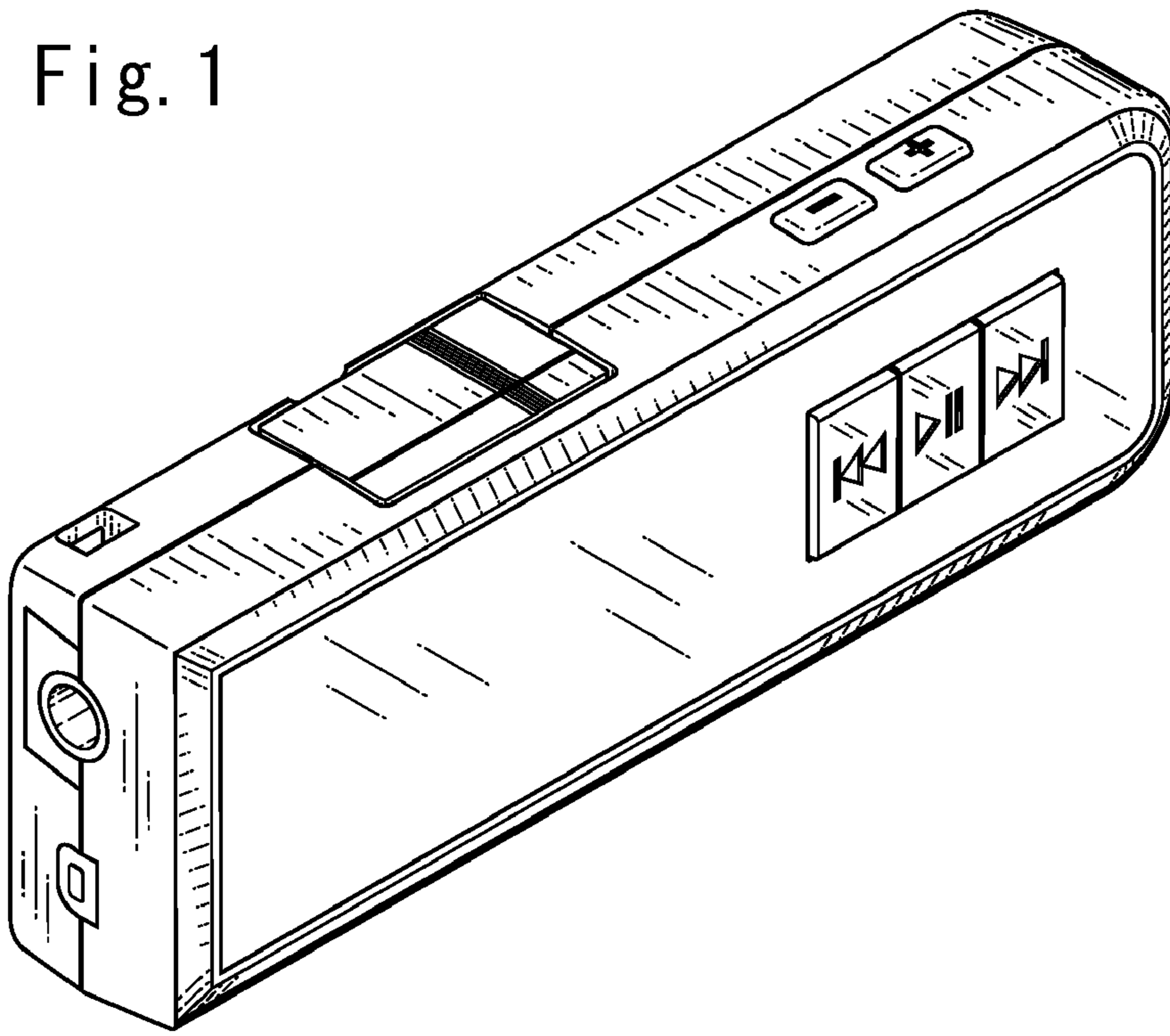


Fig. 2

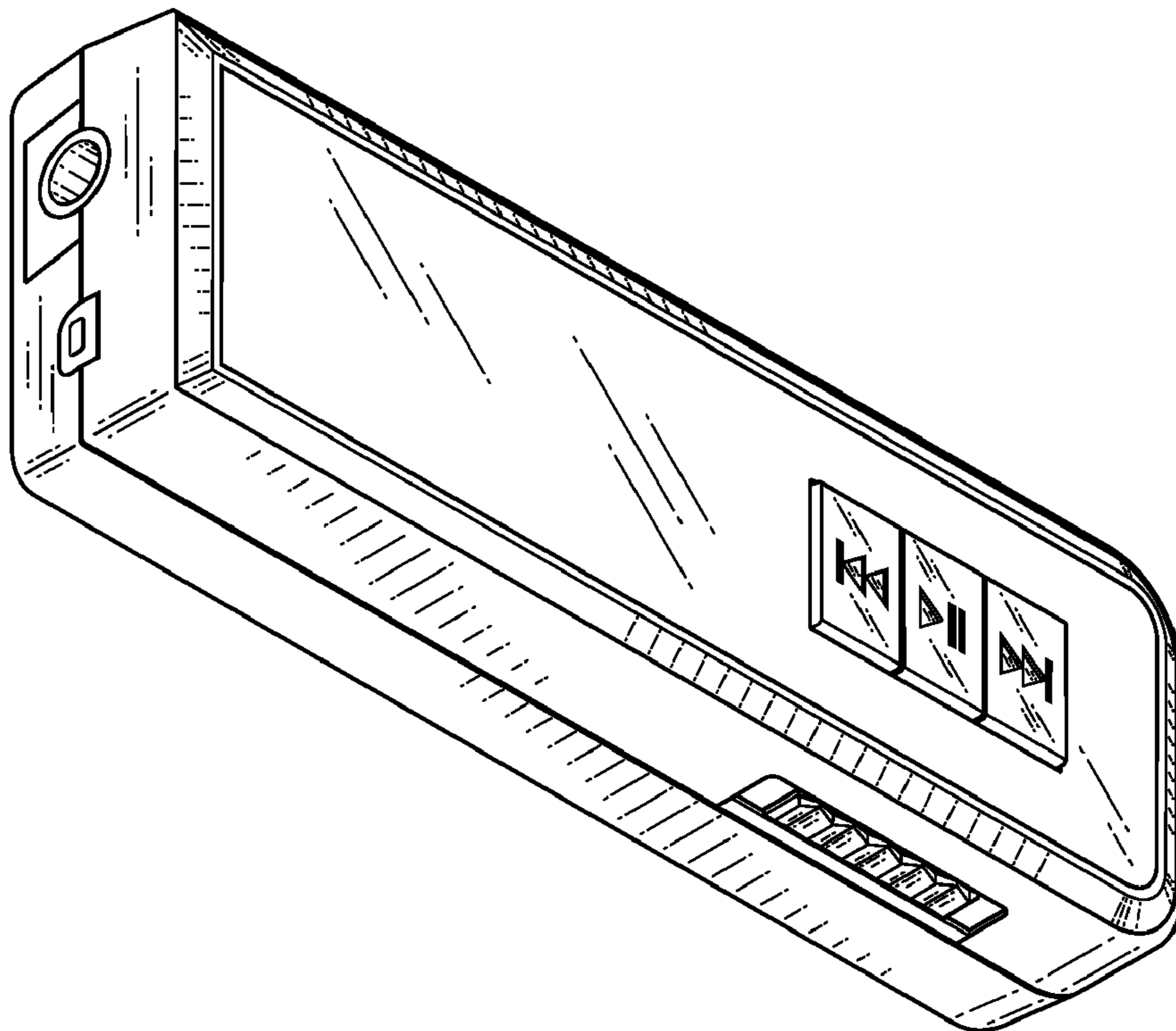


Fig. 3

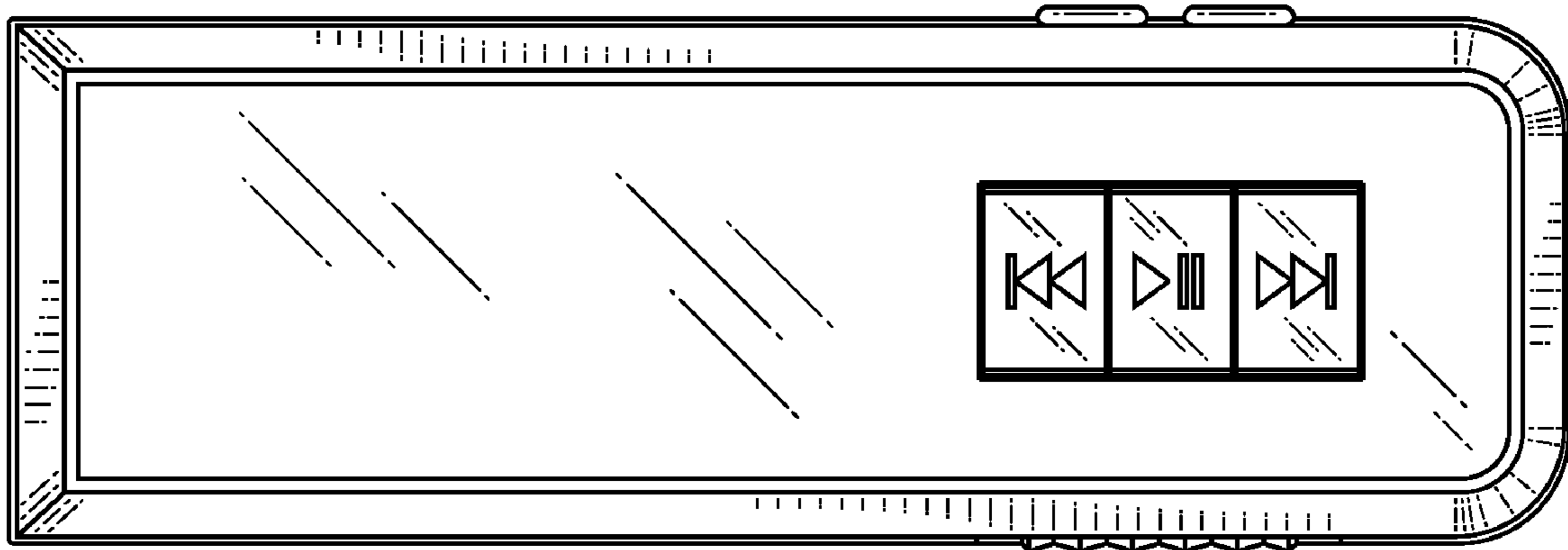


Fig. 4

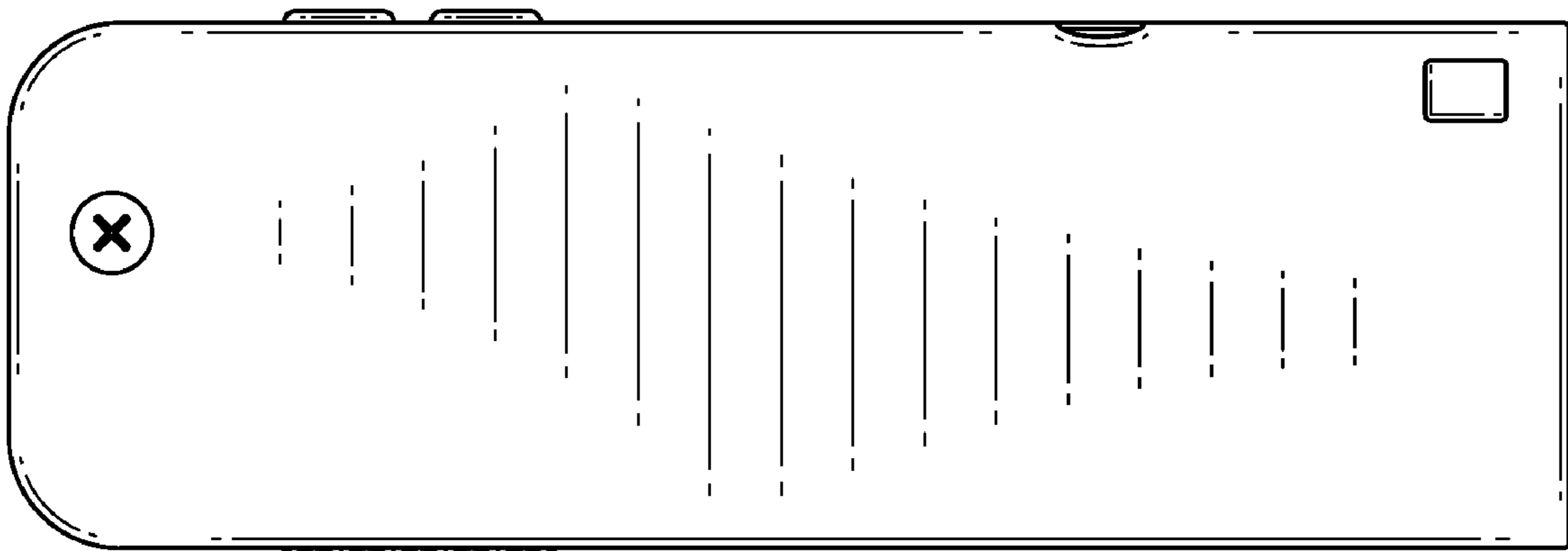


Fig. 5

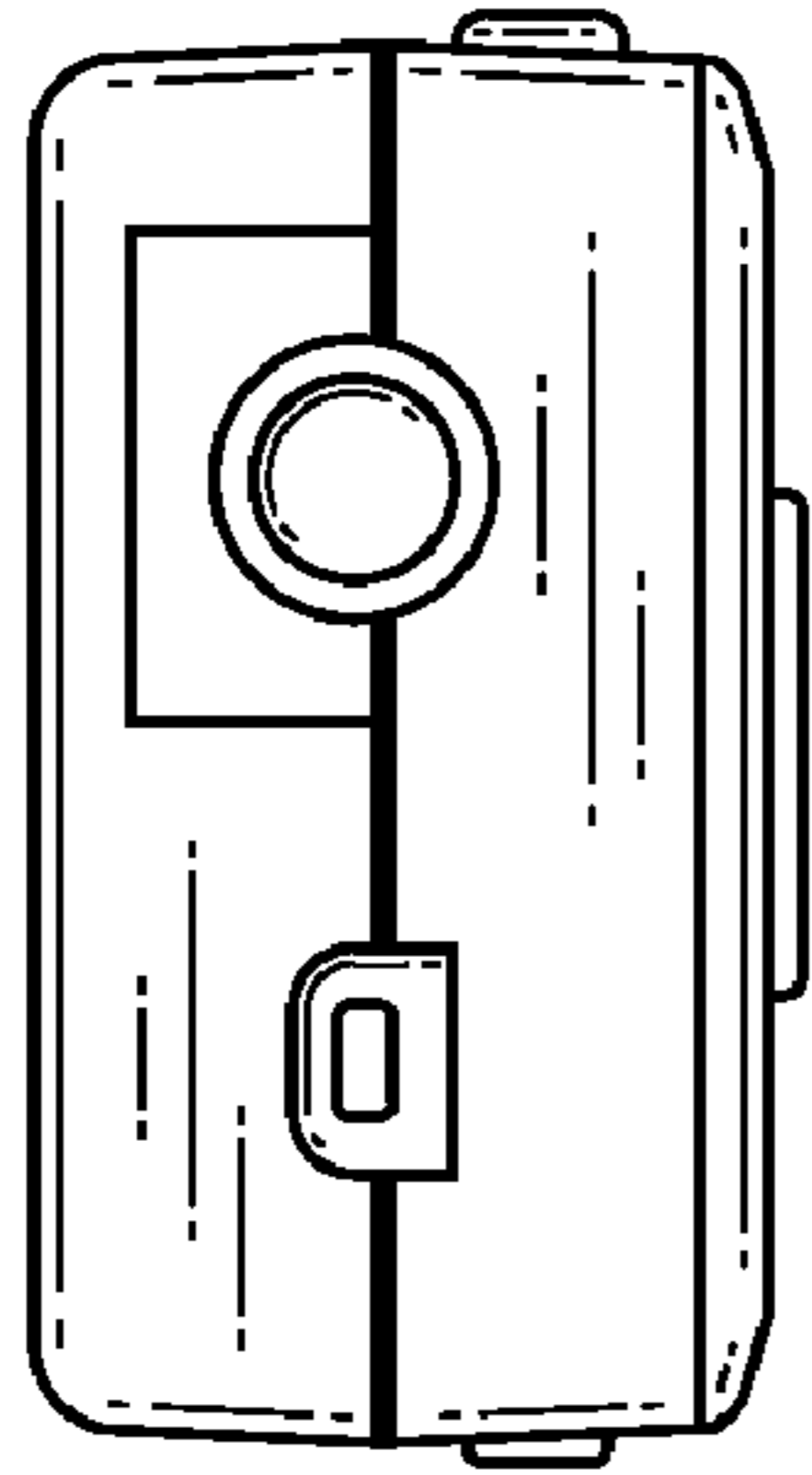


Fig. 6

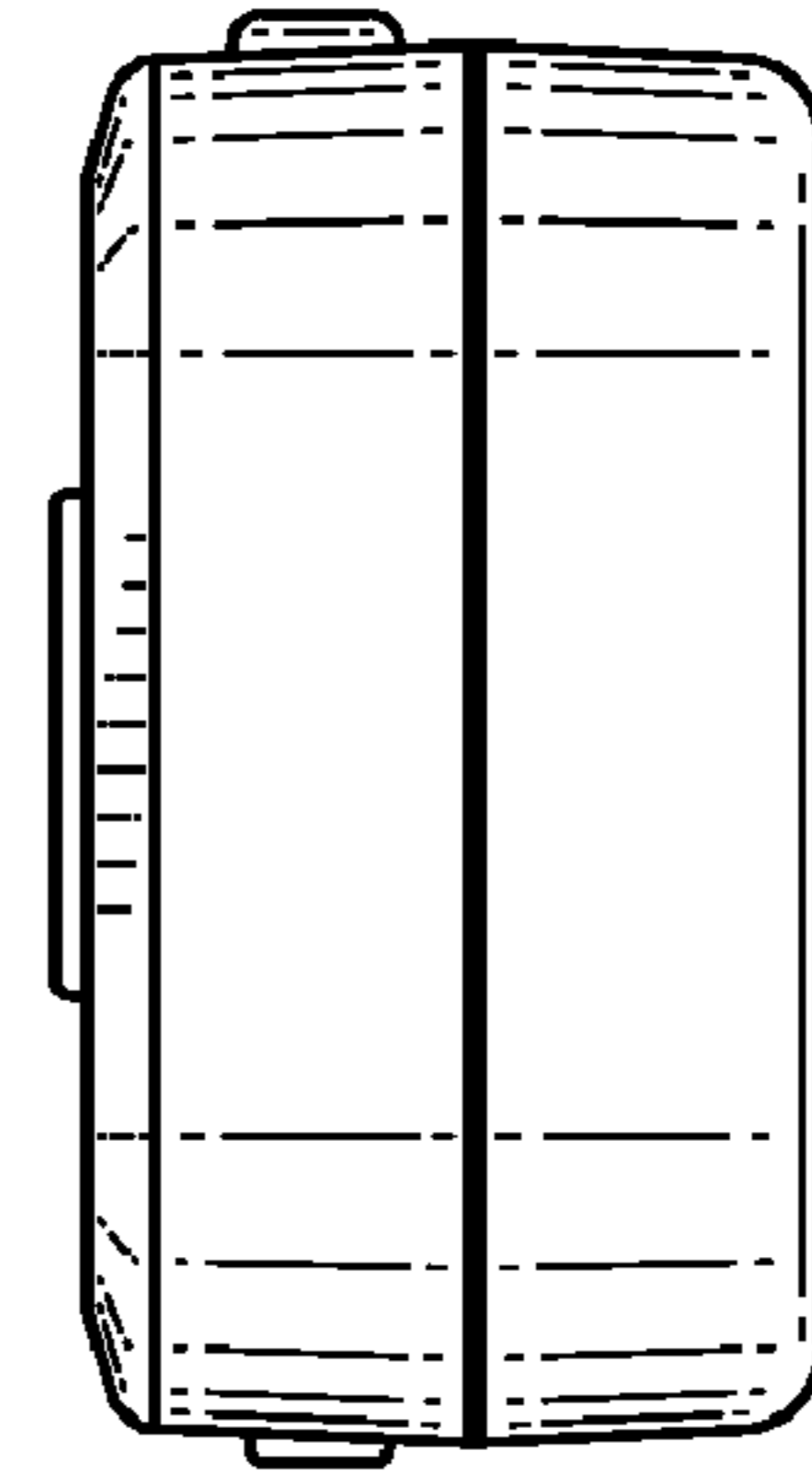


Fig. 7

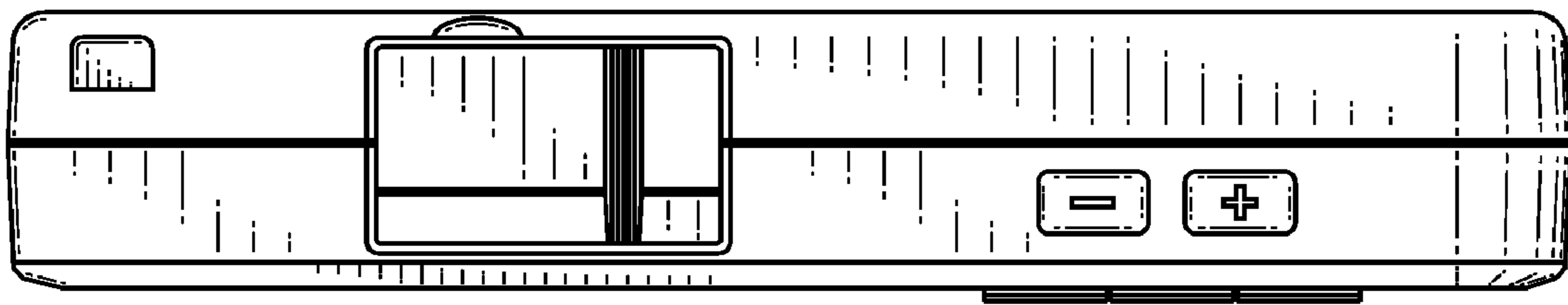


Fig. 8

