



US00D607433S

(12) **United States Design Patent**  
**Drori et al.**

(10) **Patent No.:** **US D607,433 S**  
(45) **Date of Patent:** **\*\* Jan. 5, 2010**

(54) **DIGITAL RECORDER**

(75) Inventors: **Boaz Drori**, Pardes Hana (IL); **Haim Levy**, Petach Tikva (IL); **Roece Shachnai**, Tel Aviv (IL)

(73) Assignee: **Given Imaging, Ltd.**, Yoqneam (IL)

(\*\*) Term: **14 Years**

(21) Appl. No.: **29/339,535**

(22) Filed: **Jul. 1, 2009**

(51) **LOC (9) Cl.** ..... **14-01**

(52) **U.S. Cl.** ..... **D14/167; D24/186**

(58) **Field of Classification Search** ..... D14/167,  
D14/154, 168, 188, 496, 156, 160, 161, 162,  
D14/163, 164, 165, 158, 341, 346, 342, 345;  
600/304, 376, 453, 511, 902; D26/38; 455/351,  
455/350; D19/60, 62; D21/330; D24/186,  
D24/108, 160, 169, 200

See application file for complete search history.

(56) **References Cited**

**U.S. PATENT DOCUMENTS**

D346,602 S *	5/1994	Robertson	.....	D14/217
D370,484 S *	6/1996	Williamson et al.	.....	D14/160
D400,879 S *	11/1998	Lo	.....	D14/167
D413,889 S *	9/1999	Nakano	.....	D14/167
D428,405 S *	7/2000	Obata	.....	D14/167
D452,226 S *	12/2001	Simpson et al.	.....	D14/167
D457,510 S *	5/2002	Olzak et al.	.....	D14/167
D459,714 S *	7/2002	Suzuki et al.	.....	D14/165
D465,468 S *	11/2002	Kanno	.....	D14/167
D486,814 S *	2/2004	Nakamura	.....	D14/167
D512,042 S *	11/2005	Fairhurst et al.	.....	D14/167

D513,266 S *	12/2005	Shimizu	.....	D14/203.3
D535,641 S *	1/2007	Yang	.....	D14/167
D536,347 S *	2/2007	Izzo et al.	.....	D14/203.7
D545,438 S *	6/2007	Huang et al.	.....	D24/186
D550,364 S *	9/2007	Glover et al.	.....	D24/186
D581,056 S *	11/2008	Kurokawa et al.	.....	D24/186
D590,509 S *	4/2009	Costa	.....	D24/186
D598,109 S *	8/2009	Collins et al.	.....	D24/186

\* cited by examiner

*Primary Examiner*—Cathron C Brooks

*Assistant Examiner*—Austin Murphy

(74) *Attorney, Agent, or Firm*—Pearl Cohen Zedek Latzer, LLP

(57) **CLAIM**

The ornamental design for a digital recorder, as shown and described.

**DESCRIPTION**

FIG. 1 is a top plan view of the digital recorder;

FIG. 2 is a front elevational view thereof;

FIG. 3 is a bottom plan view thereof;

FIG. 4 is a right side, elevational view thereof;

FIG. 5 is a left side, elevational view thereof;

FIG. 6 is a back elevational view thereof; and,

FIG. 7 is a front, top, right side perspective view thereof.

The regularly spaced broken lines shown in the drawings represent unclaimed portions of the digital recorder and form no part of the claimed design. The remainder of the broken lines are contour lines.

**1 Claim, 3 Drawing Sheets**

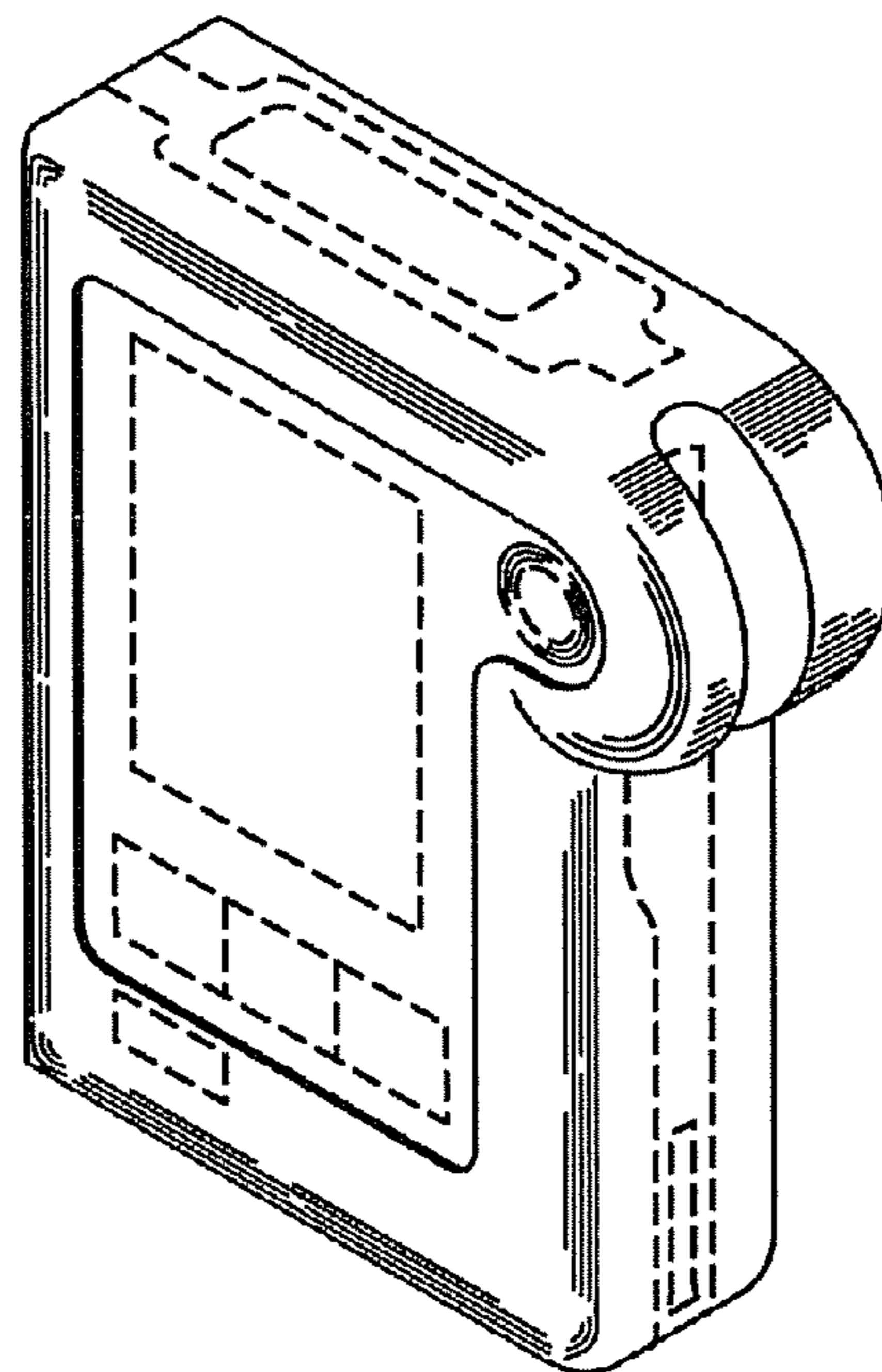
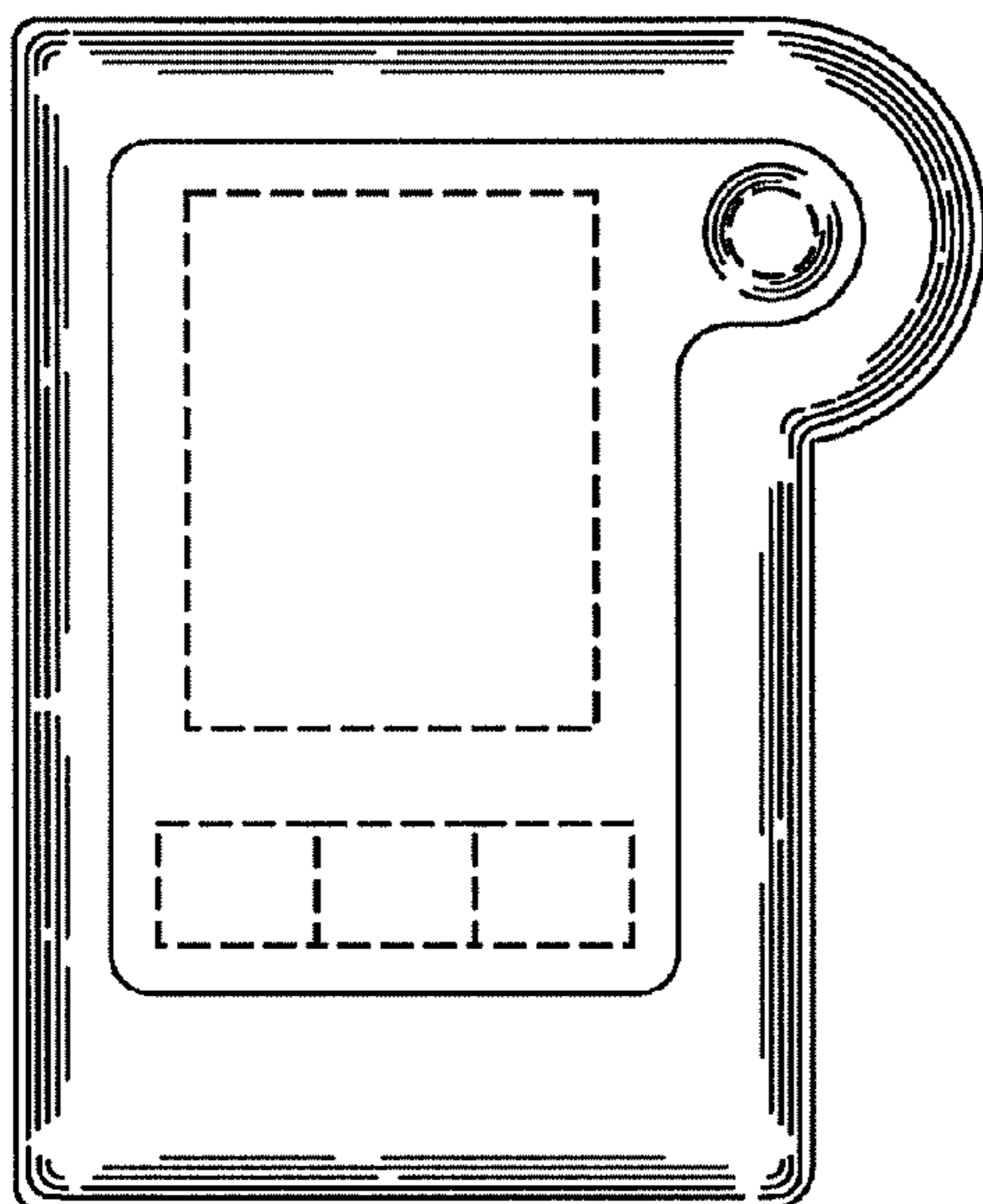


FIG. 1

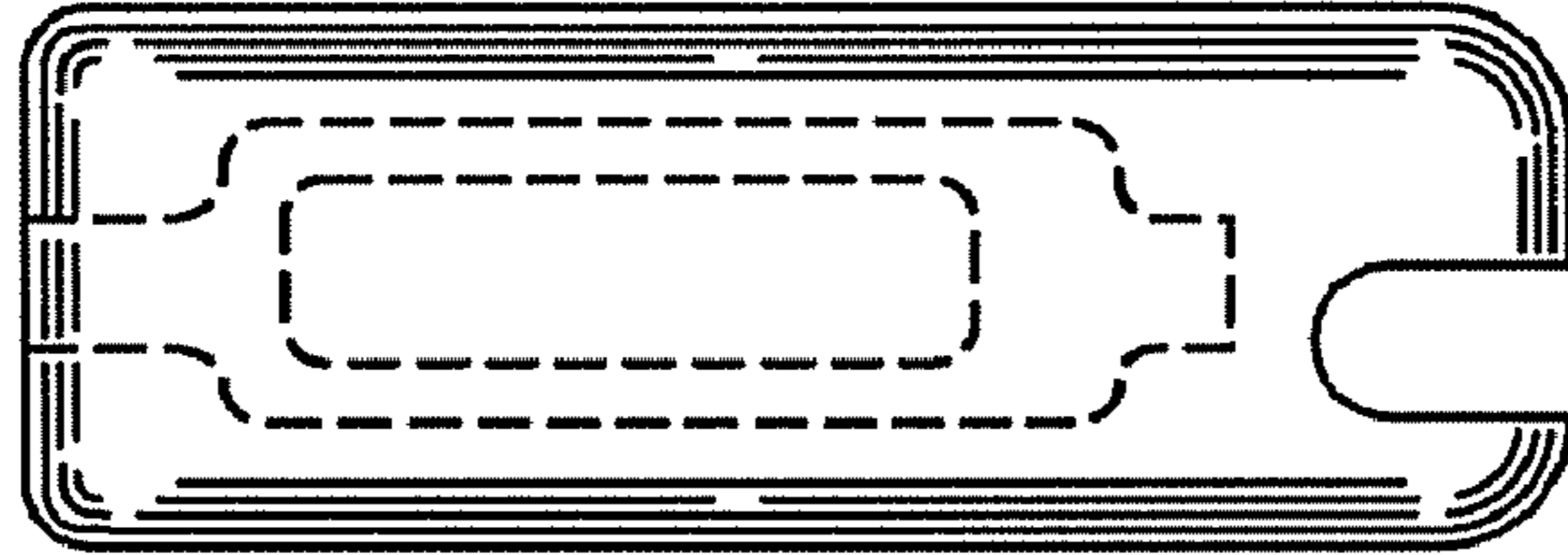


FIG. 2

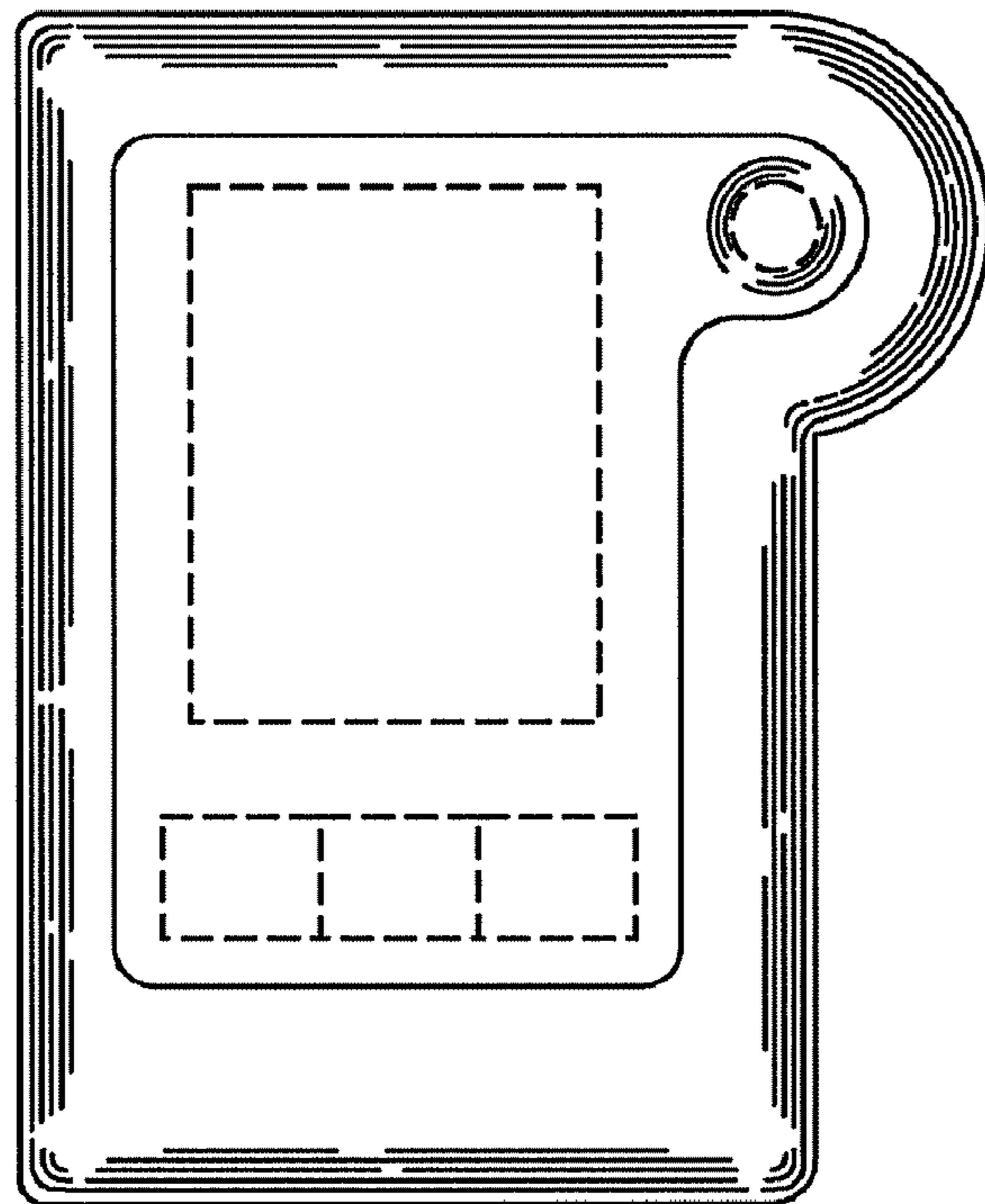
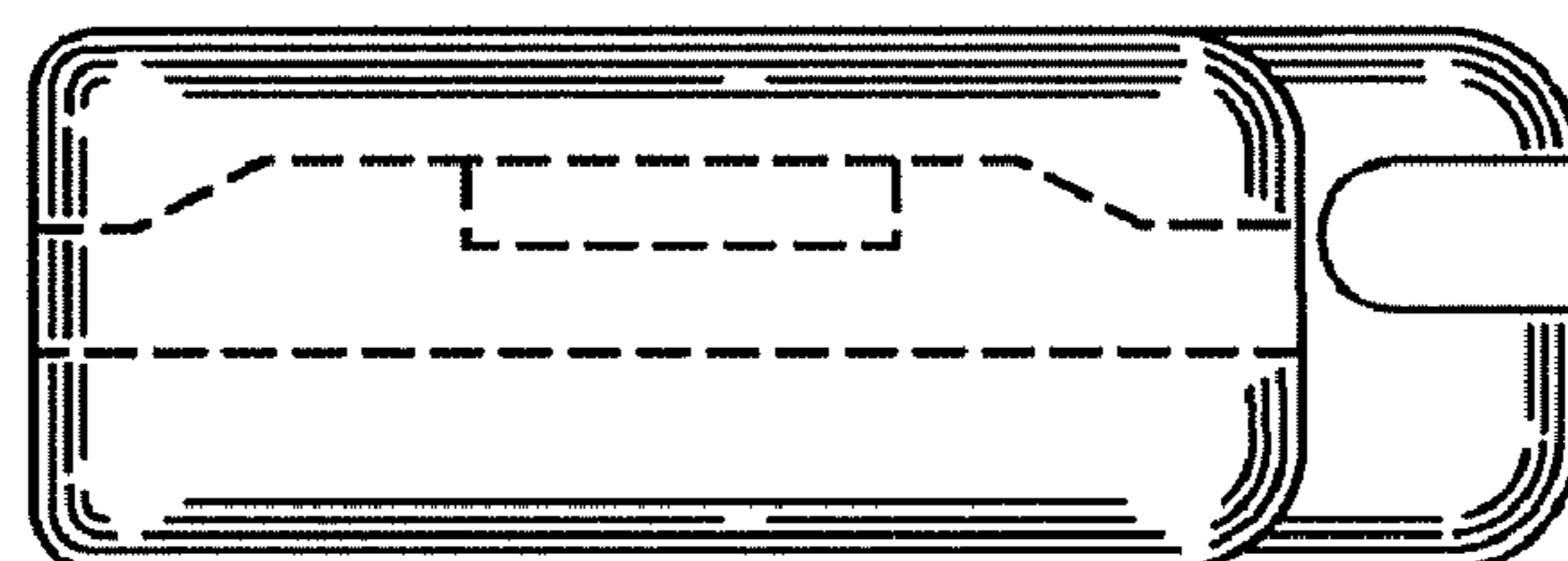


FIG. 3



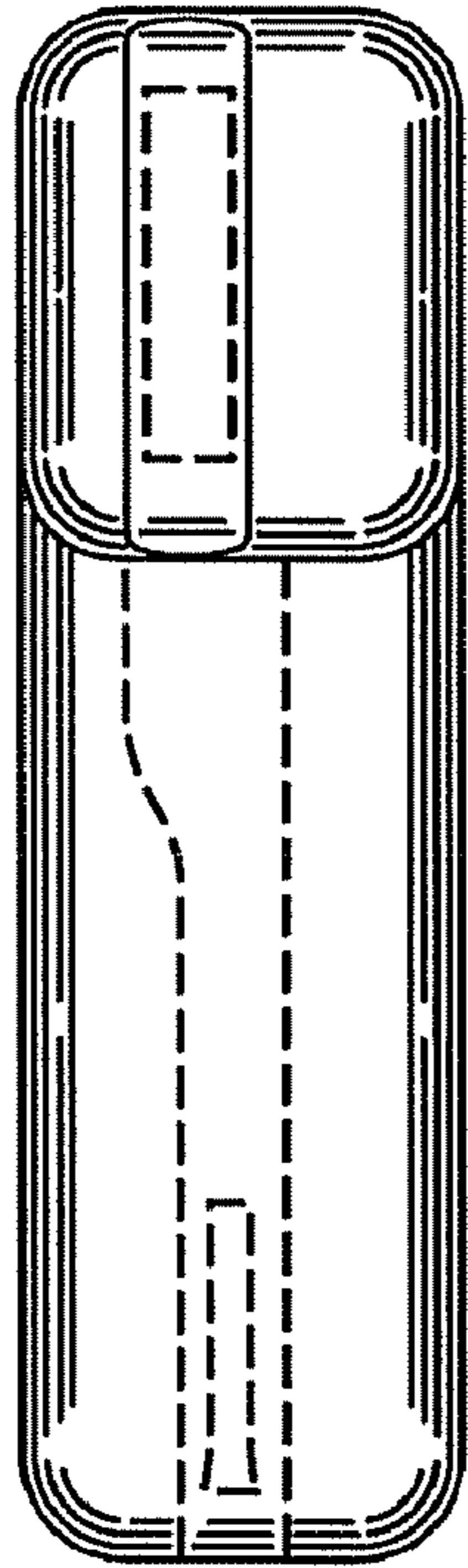


FIG. 4

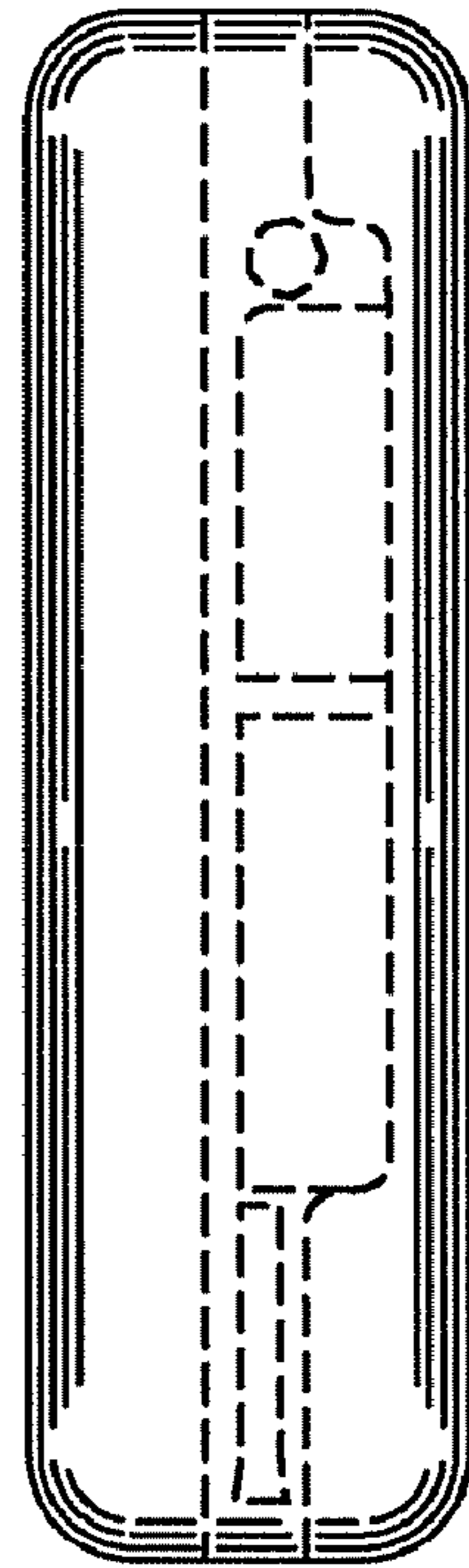


FIG. 5

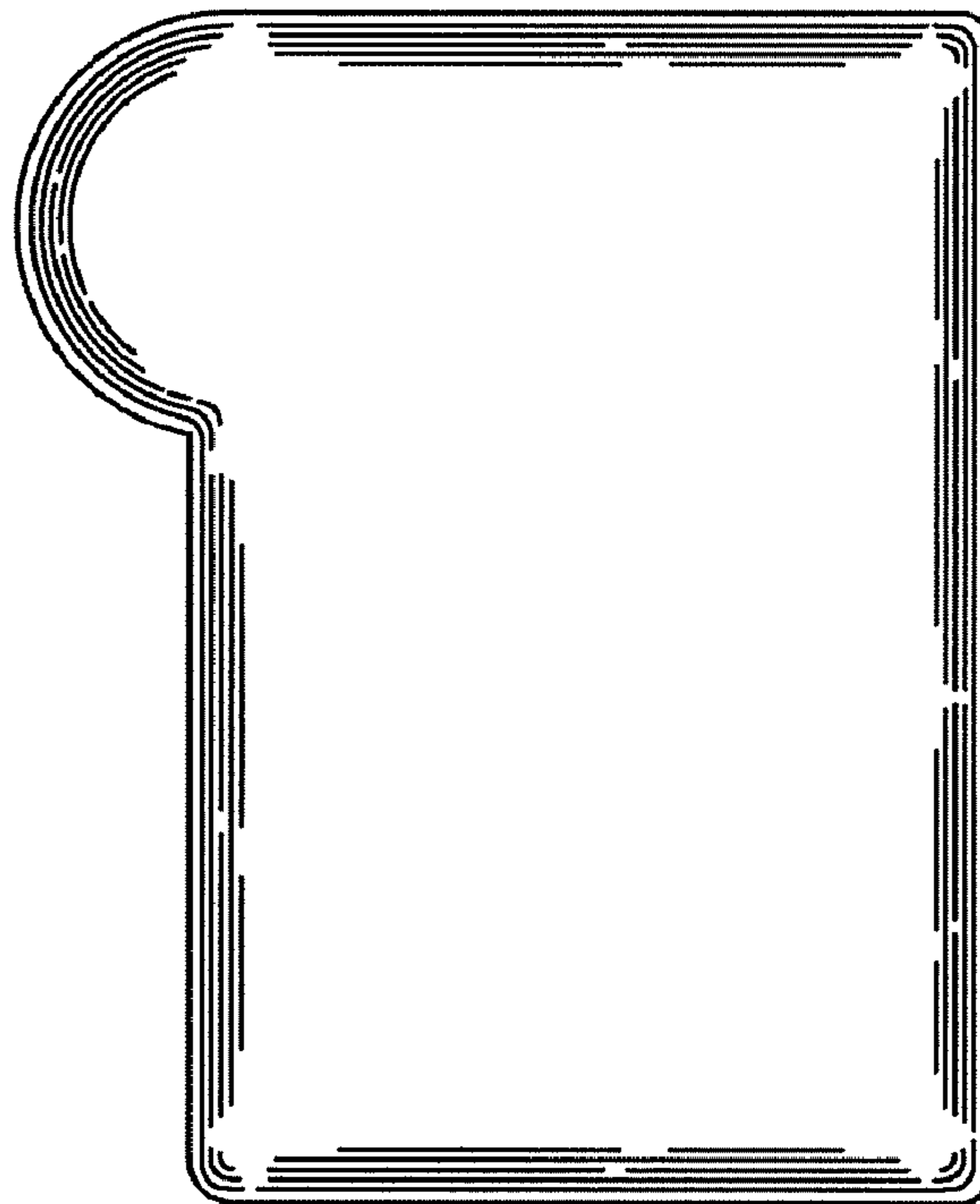


FIG. 6

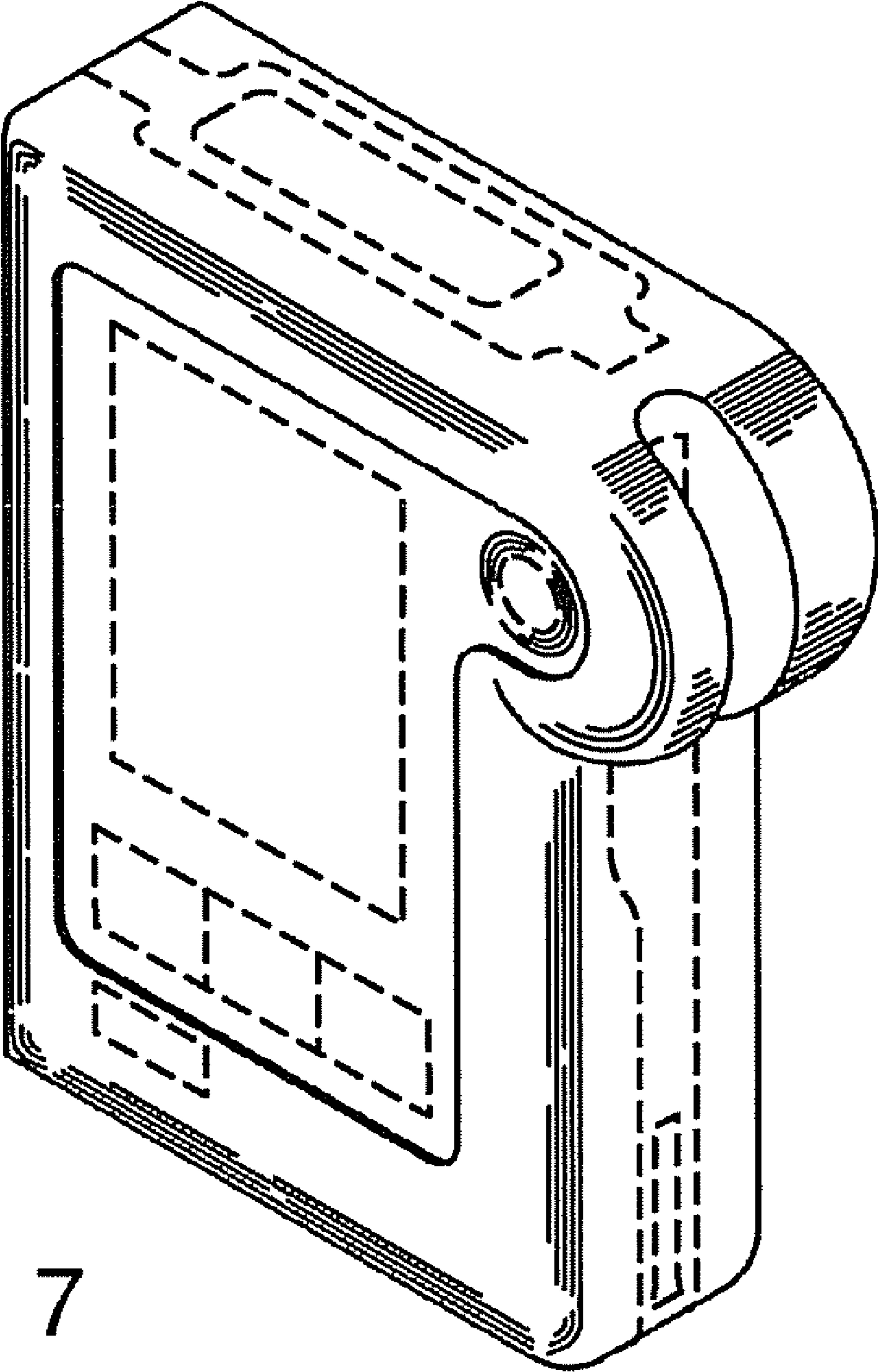


FIG. 7