



US00D607427S

(12) **United States Design Patent**  
**Ho et al.**

(10) **Patent No.:** **US D607,427 S**  
(45) **Date of Patent:** **\*\* Jan. 5, 2010**

(54) **HANDHELD ELECTRONIC DEVICE**

(75) Inventors: **Po-Lin Ho**, Taoyuan County (TW);  
**Yen-Hung Lin**, Taoyuan County (TW);  
**Feng-Chen Chang**, Taoyuan County (TW)

(73) Assignee: **HTC Corporation**, Taoyuan (TW)

(\*\*) Term: **14 Years**

(21) Appl. No.: **29/323,429**

(22) Filed: **Aug. 26, 2008**

(51) **LOC (9) Cl.** ..... **14-03**

(52) **U.S. Cl.** ..... **D14/138 AD; D14/138 AA; D14/341**

(58) **Field of Classification Search** ..... D14/137, D14/138 R, 138 AA, 138 AB, 138 AC, 138 AD, D14/138 C, 138 G, 147, 191, 203.1–203.8, D14/218, 244, 247–248, 341–347, 432, 439, D14/455–456, 496; D10/65, 78, 104; D13/168; D18/7; 455/556.1, 566, 575.1, 575.3; 345/169  
See application file for complete search history.

(56) **References Cited**

**U.S. PATENT DOCUMENTS**

D525,229 S \* 7/2006 Friesen et al. .... D14/138 AA  
D538,252 S \* 3/2007 Joung ..... D14/138 AA  
D538,773 S \* 3/2007 Joung ..... D14/138 AA  
D539,257 S \* 3/2007 Obata et al. .... D14/138 AA

(Continued)

**OTHER PUBLICATIONS**

Samsung T459 Gravity, announced Nov. 2008, [online], [retrieved on Nov. 8, 2008]. Retrieved from Internet, <URL: <http://www.gsmarena.com>>.\*

Nokia 6300, announced Nov. 2006, [online], [retrieved on Feb. 26, 2009]. Retrieved from Internet, <URL: <http://www.gsmarena.com>>.\*

Sony Ericsson K800, announced Feb. 2006, [online], [retrieved on Feb. 26, 2009]. Retrieved from Internet, <URL: <http://www.gsmarena.com>>.\*

LG B2250, announced 3<sup>rd</sup> quarter 2005, [online], [retrieved on Feb. 26, 2009]. Retrieved from Internet, <URL: <http://www.gsmarena.com>>.\*

HTC S740, announced Aug. 2008, [online], [retrieved on Feb. 26, 2009]. Retrieved from Internet, <URL: <http://www.gsmarena.com>>.\*

Asus V88i, announced 2007, [online], [retrieved on Feb. 26, 2009]. Retrieved from Internet, <URL: <http://www.gsmarena.com>>.\*

Luke et al., U.S. Appl. No. 29/321,870, filed Jul. 24, 2008, 7 pages.

*Primary Examiner*—Jeffrey D Asch

*Assistant Examiner*—Bridget L Eland

(74) *Attorney, Agent, or Firm*—Grossman, Tucker, Perreault & Pflieger, PLLC

(57) **CLAIM**

The ornamental design for a handheld electronic device, as shown and described.

**DESCRIPTION**

FIG. 1 is a perspective view of a handheld electronic device showing the claimed design;

FIG. 2 is a front elevational view thereof;

FIG. 3 is a rear elevational view thereof;

FIG. 4 is a left side elevational view thereof;

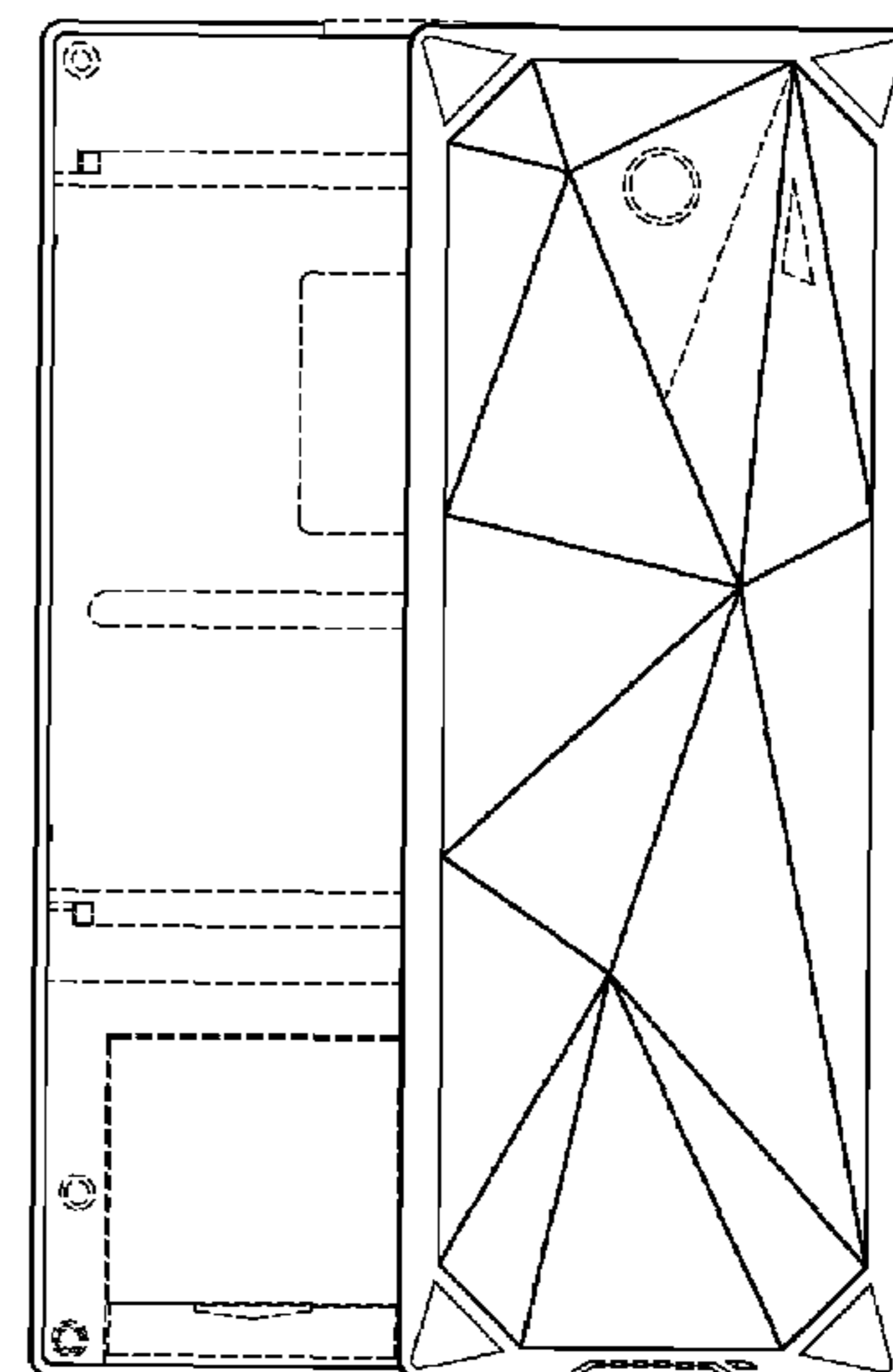
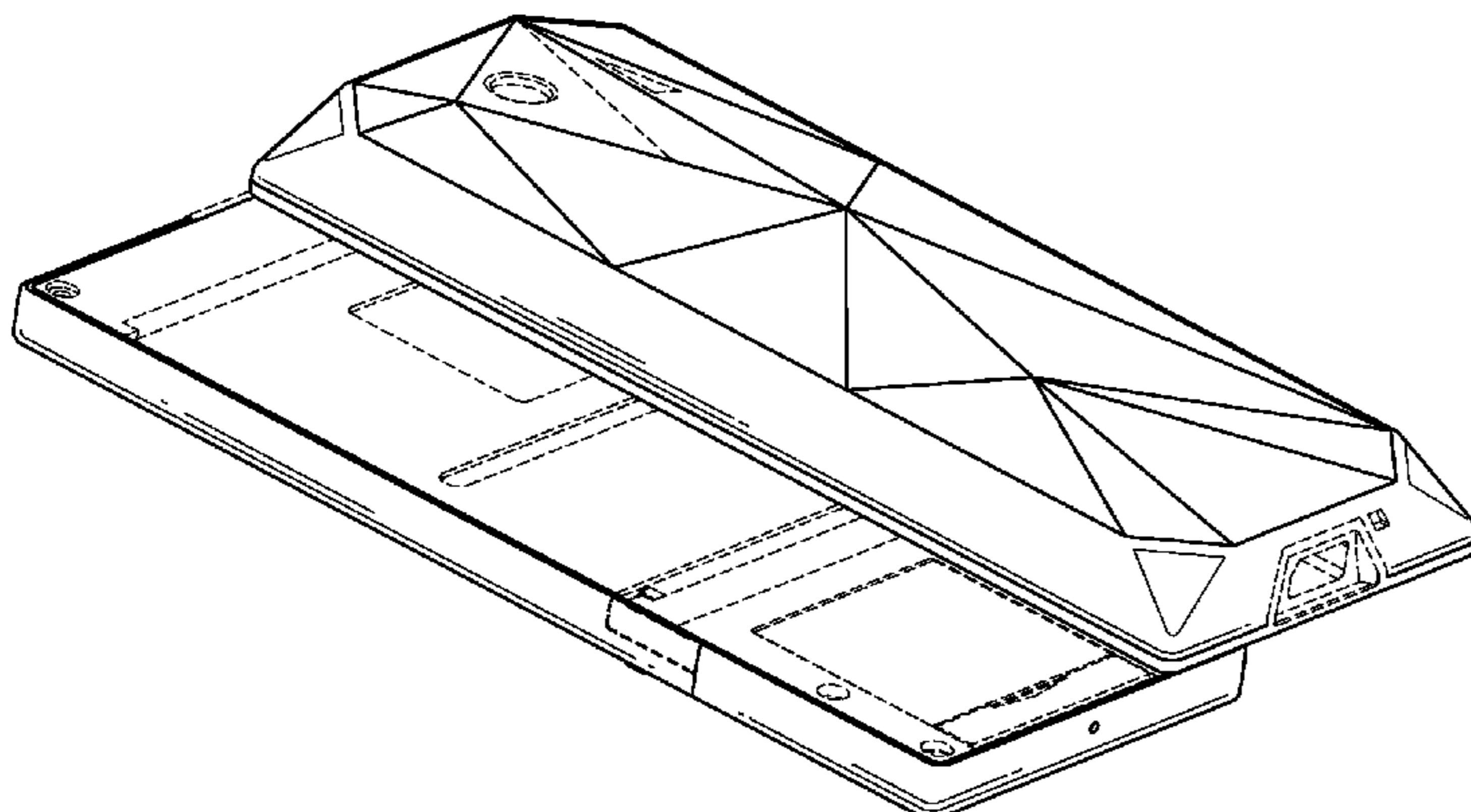
FIG. 5 is a right side elevational view thereof;

FIG. 6 is a top plan view thereof; and,

FIG. 7 is a bottom plan view thereof.

The broken lines immediately adjacent the claimed areas, which encompass non-shaded regions, represent the bounds of the claimed design, while all other broken lines are directed to environment and are for illustrative purposes only; the broken lines form no part of the claimed design. The interior surfaces on the rear side of the front panel forms no part of the claimed design.

**1 Claim, 5 Drawing Sheets**



# US D607,427 S

Page 2

## U.S. PATENT DOCUMENTS

D539,778 S *	4/2007	Yeh et al. ....	D14/138 AA	D580,398 S *	11/2008	Fan et al. ....	D14/138 R
D539,815 S *	4/2007	Lai et al. ....	D14/203.7	D582,375 S *	12/2008	Fan et al. ....	D14/138 AA
D541,786 S *	5/2007	Ookawa .....	D14/147	D584,269 S *	1/2009	Baik et al. ....	D14/138 AA
D543,188 S *	5/2007	Minamide et al. ....	D14/138 AA	D584,271 S *	1/2009	Ko et al. ....	D14/138 R
D545,294 S *	6/2007	Hwang .....	D14/138 AA	2003/0013507 A1 *	1/2003	Sato .....	455/575
D545,801 S *	7/2007	Joung .....	D14/138 AA	2005/0277439 A1 *	12/2005	Brelo et al. ....	455/556.2
D546,314 S *	7/2007	Im .....	D14/138 AA	2006/0100004 A1 *	5/2006	Kim et al. ....	455/575.3
D546,808 S *	7/2007	Kim et al. ....	D14/138 AA	2006/0105806 A1 *	5/2006	Vance et al. ....	455/556.1
D549,208 S *	8/2007	Huang et al. ....	D14/138 AA	2006/0234785 A1 *	10/2006	Lee et al. ....	455/575.1
D573,567 S *	7/2008	Chang et al. ....	D14/138 AA	2008/0039156 A1 *	2/2008	Lee et al. ....	455/575.1
D577,351 S *	9/2008	Kim et al. ....	D14/138 AA	2008/0207283 A1 *	8/2008	Zaitso et al. ....	455/575.3

\* cited by examiner

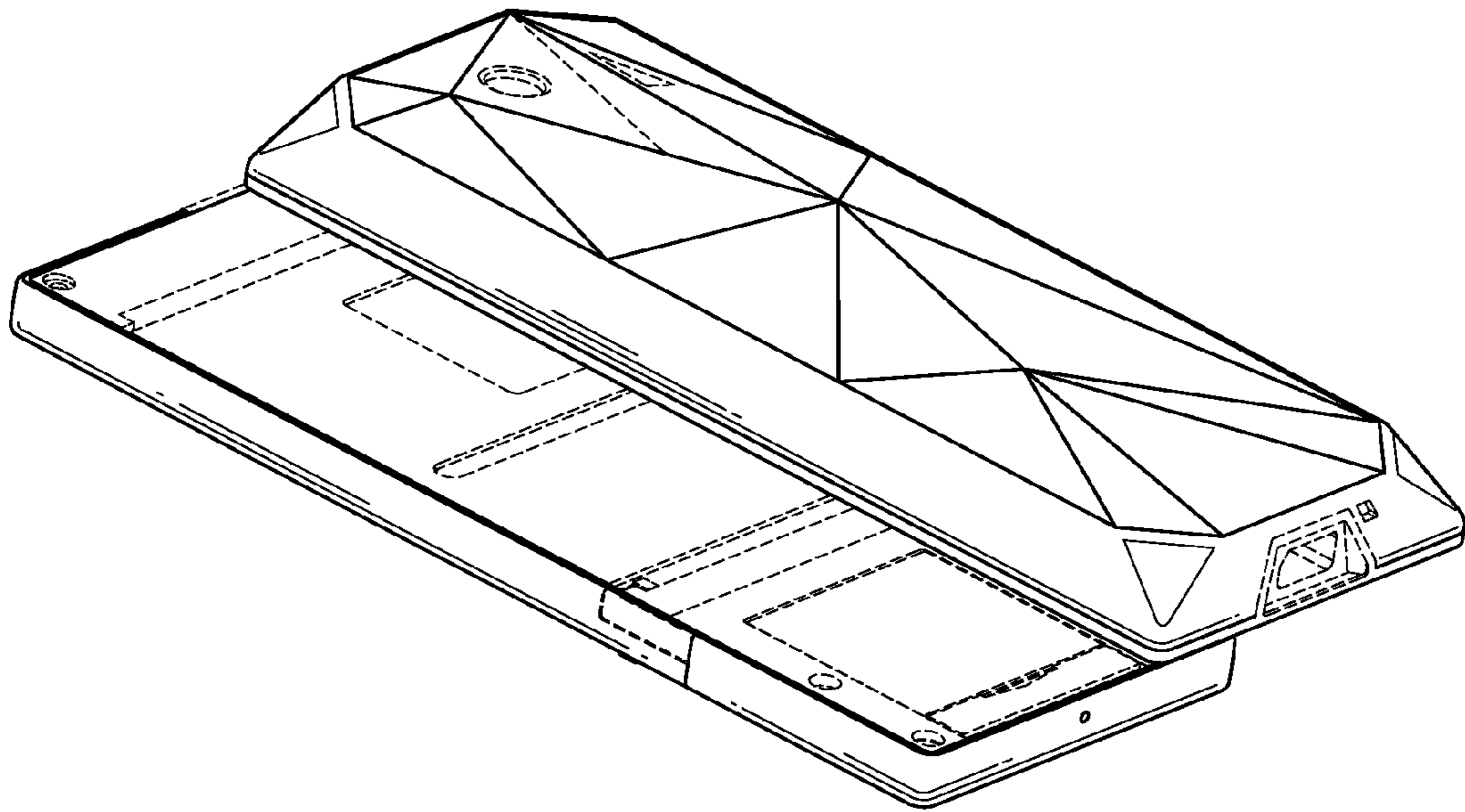


FIG.1

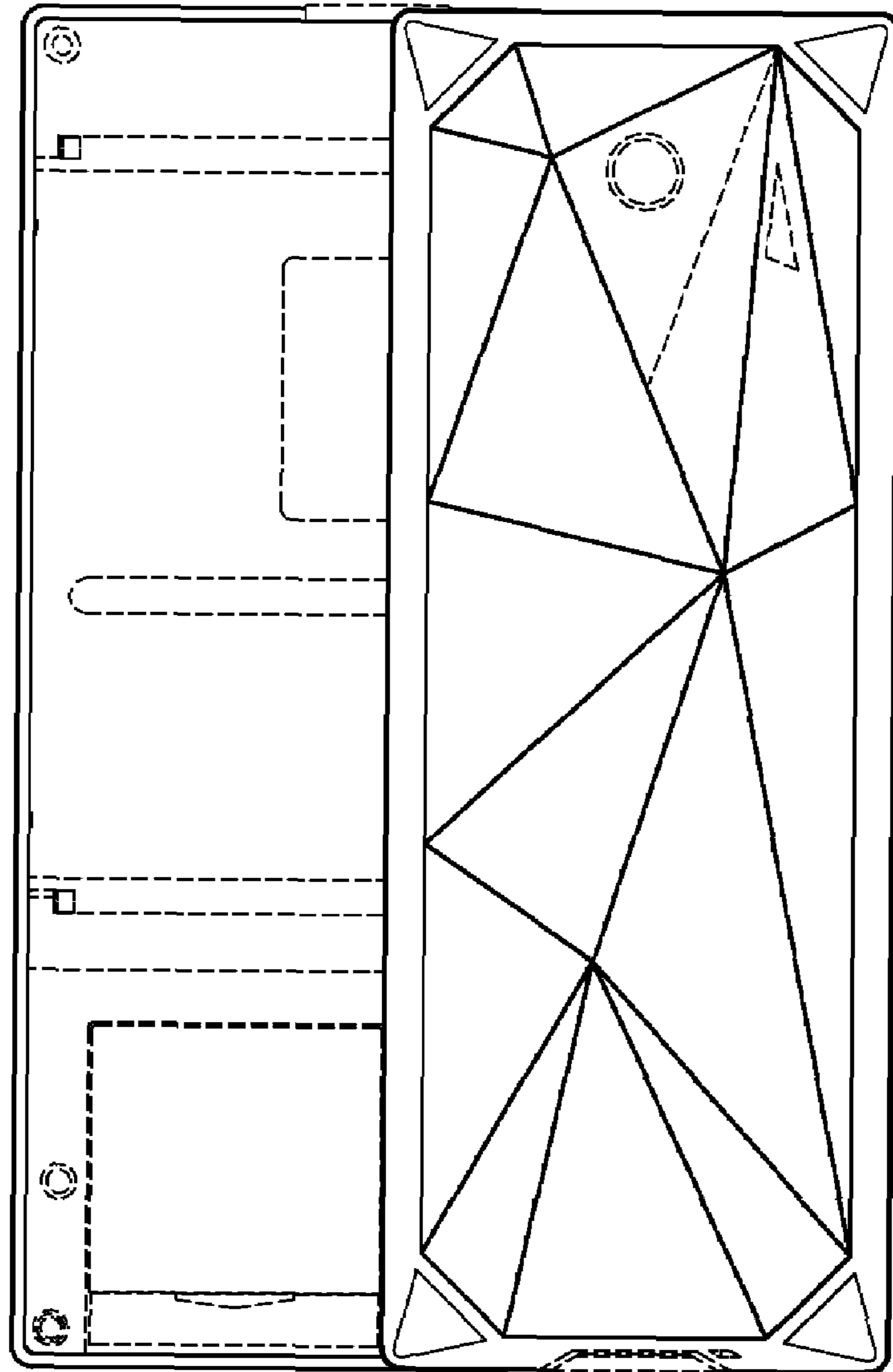


FIG.2

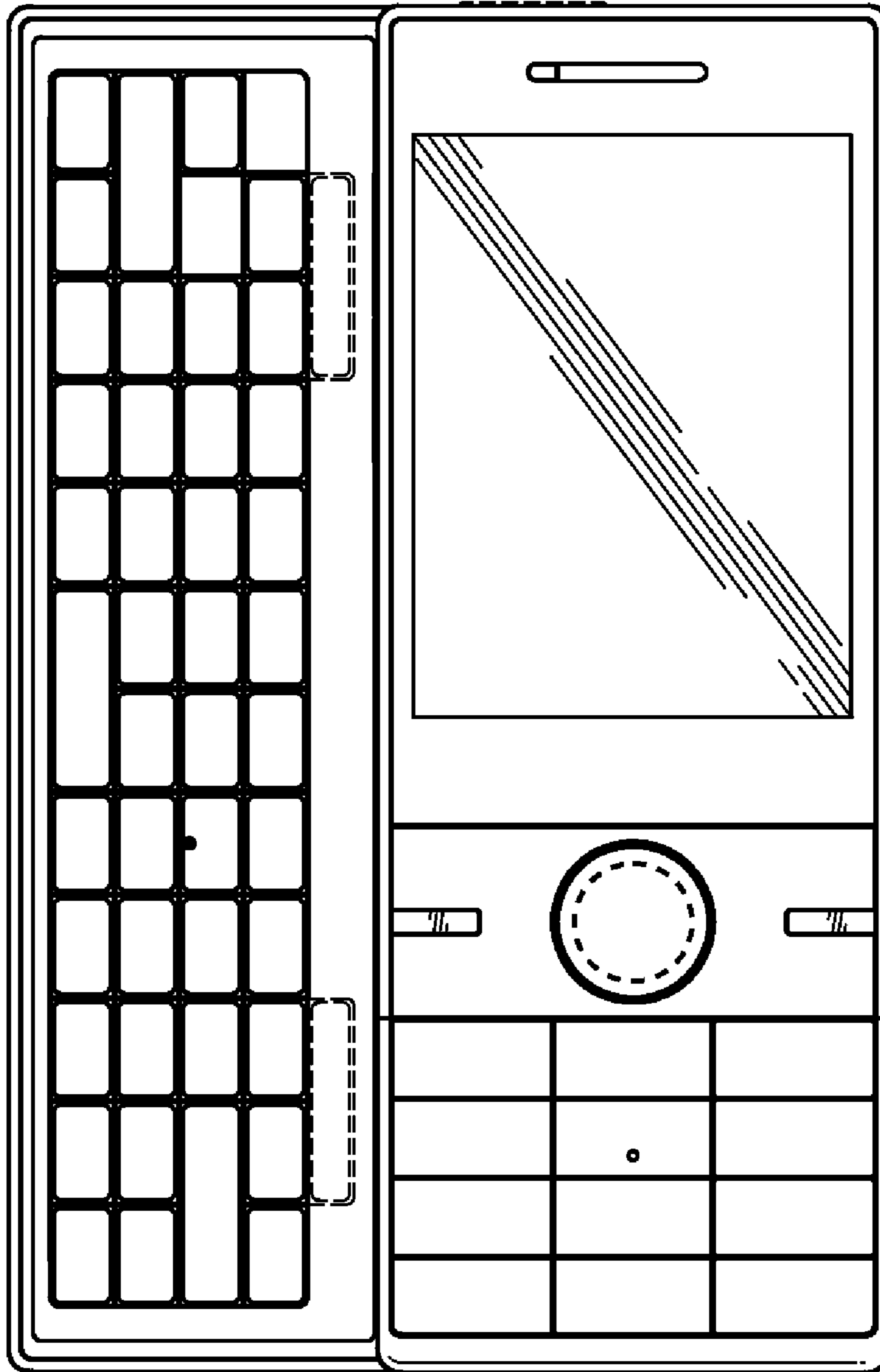


FIG. 3

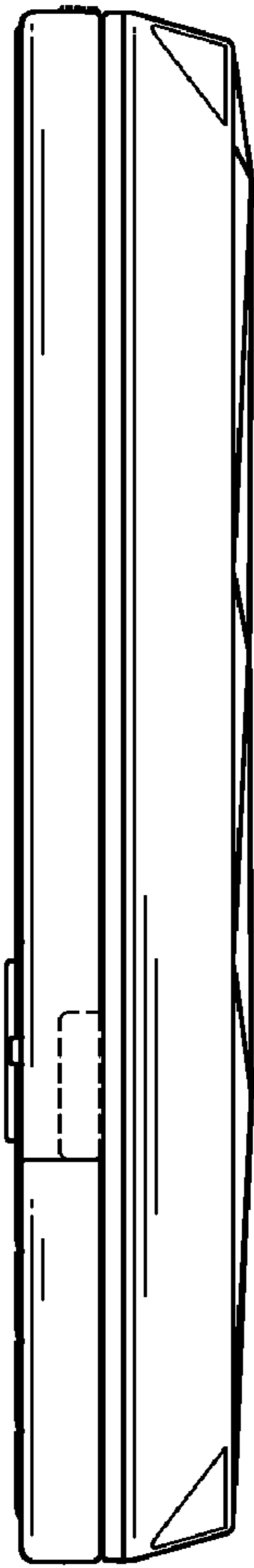


FIG. 4



FIG. 5

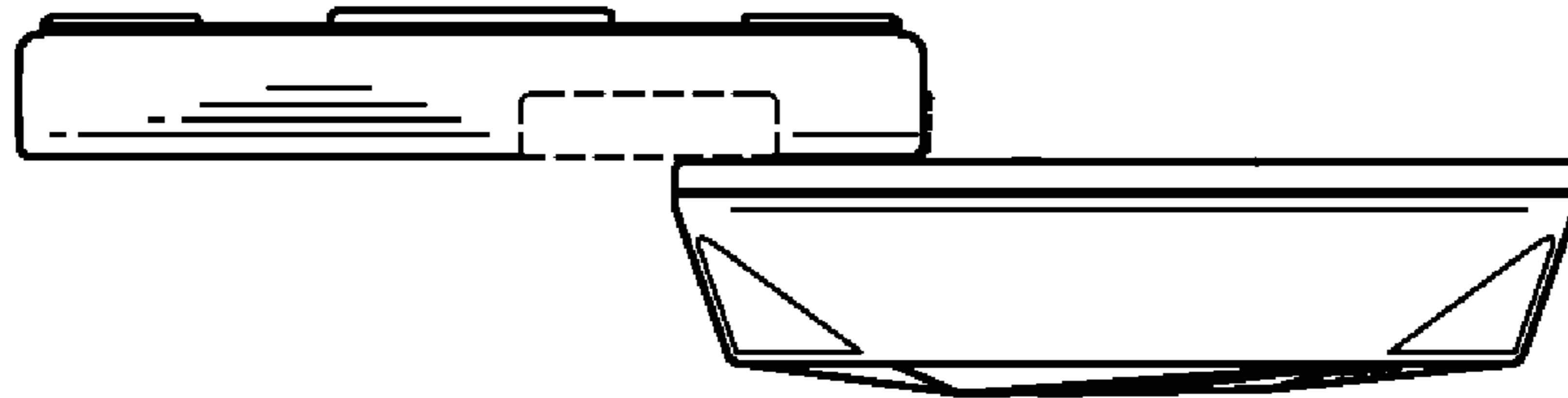


FIG. 6



FIG. 7