



US00D607426S

(12) **United States Design Patent**
Yang

(10) **Patent No.:** **US D607,426 S**
(45) **Date of Patent:** **** Jan. 5, 2010**

(54) **PDP TV RECEIVER**

D509,198 S * 9/2005 Ahn D14/126
D533,848 S * 12/2006 Lee et al. D14/126
D534,138 S * 12/2006 Lee et al. D14/126

(75) Inventor: **Jun Ho Yang**, Kunggi-do (KR)

(73) Assignee: **Samsung Electronics Co., Ltd** (KR)

* cited by examiner

(**) Term: **14 Years**

Primary Examiner—Raphael Barkai
(74) *Attorney, Agent, or Firm*—Irving Keschner

(21) Appl. No.: **29/230,068**

(57) **CLAIM**

(22) Filed: **May 16, 2005**

The ornamental design for PDP TV receiver, as shown and described.

(30) **Foreign Application Priority Data**

Apr. 6, 2005 (KR) 30-2005-0011281

DESCRIPTION

(51) **LOC (9) Cl.** **14-03**

FIG. 1 is a perspective view of the ornamental design of the present invention;

(52) **U.S. Cl.** **D14/126**

FIG. 2 is a front elevational view of the ornamental design of the present invention;

(58) **Field of Classification Search** D14/125-134, D14/239, 371, 136, 374-377; 312/7.2; 348/836, 348/838, 180, 184, 325, 739; 341/12; 248/917-924, 248/465; 345/104, 133, 156, 168, 87, 173; 720/605, 669, 600, 655; 369/99, 197; 455/344-347
See application file for complete search history.

FIG. 3 is a rear elevational view of the ornamental design of the present invention;

FIG. 4 is a left side elevational view of the ornamental design of the present invention, the right side elevational view being a mirror image thereof;

(56) **References Cited**

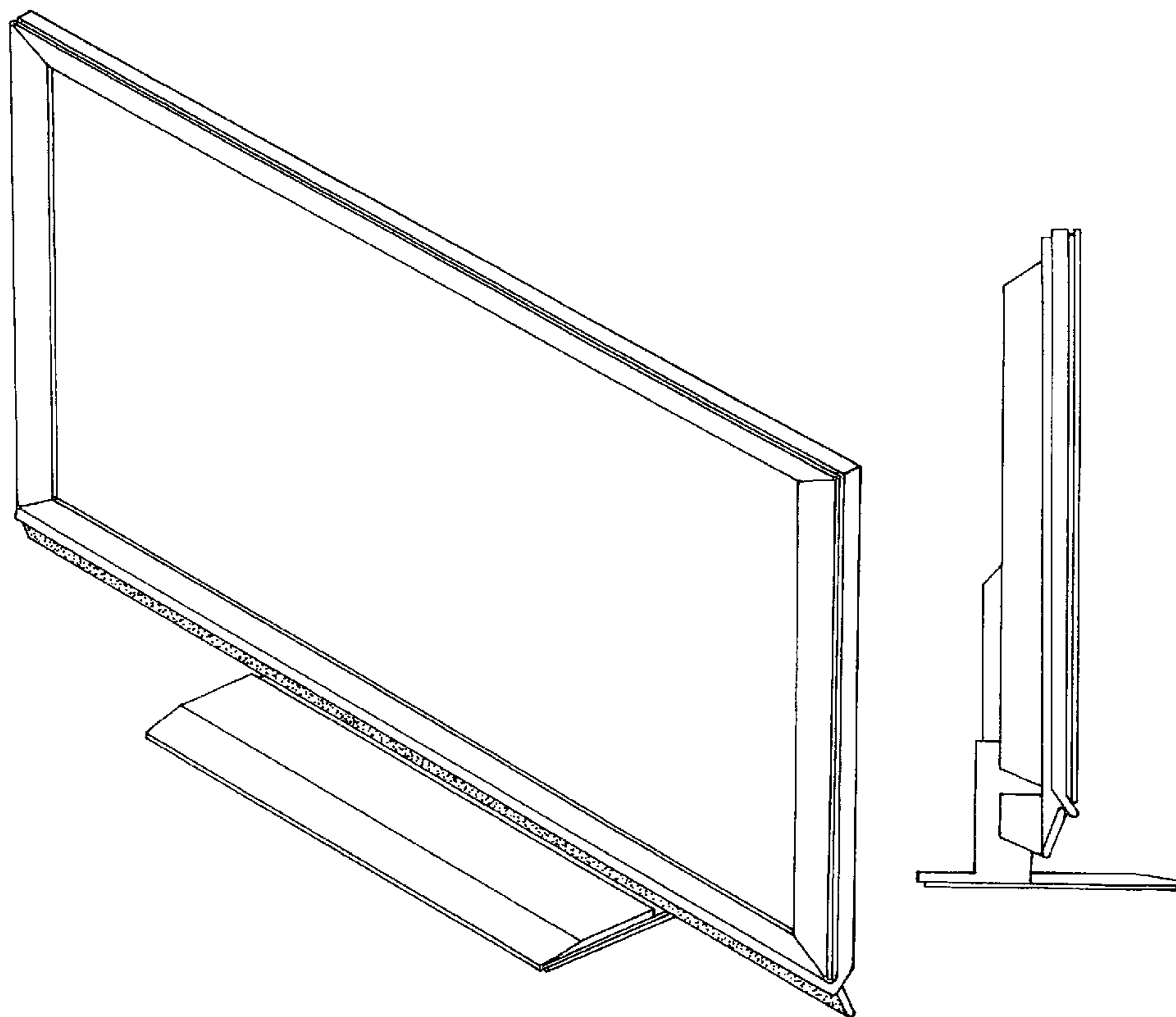
U.S. PATENT DOCUMENTS

D438,848 S * 3/2001 Kita D14/126
D487,731 S * 3/2004 Takami et al. D14/126
D491,540 S * 6/2004 Honda D14/126
D494,941 S * 8/2004 Kim D14/126
D505,403 S * 5/2005 Kita D14/134

FIG. 5 is a top plan view of the ornamental design of the present invention; and,

FIG. 6 is a bottom view of the ornamental design of the present invention.

1 Claim, 4 Drawing Sheets



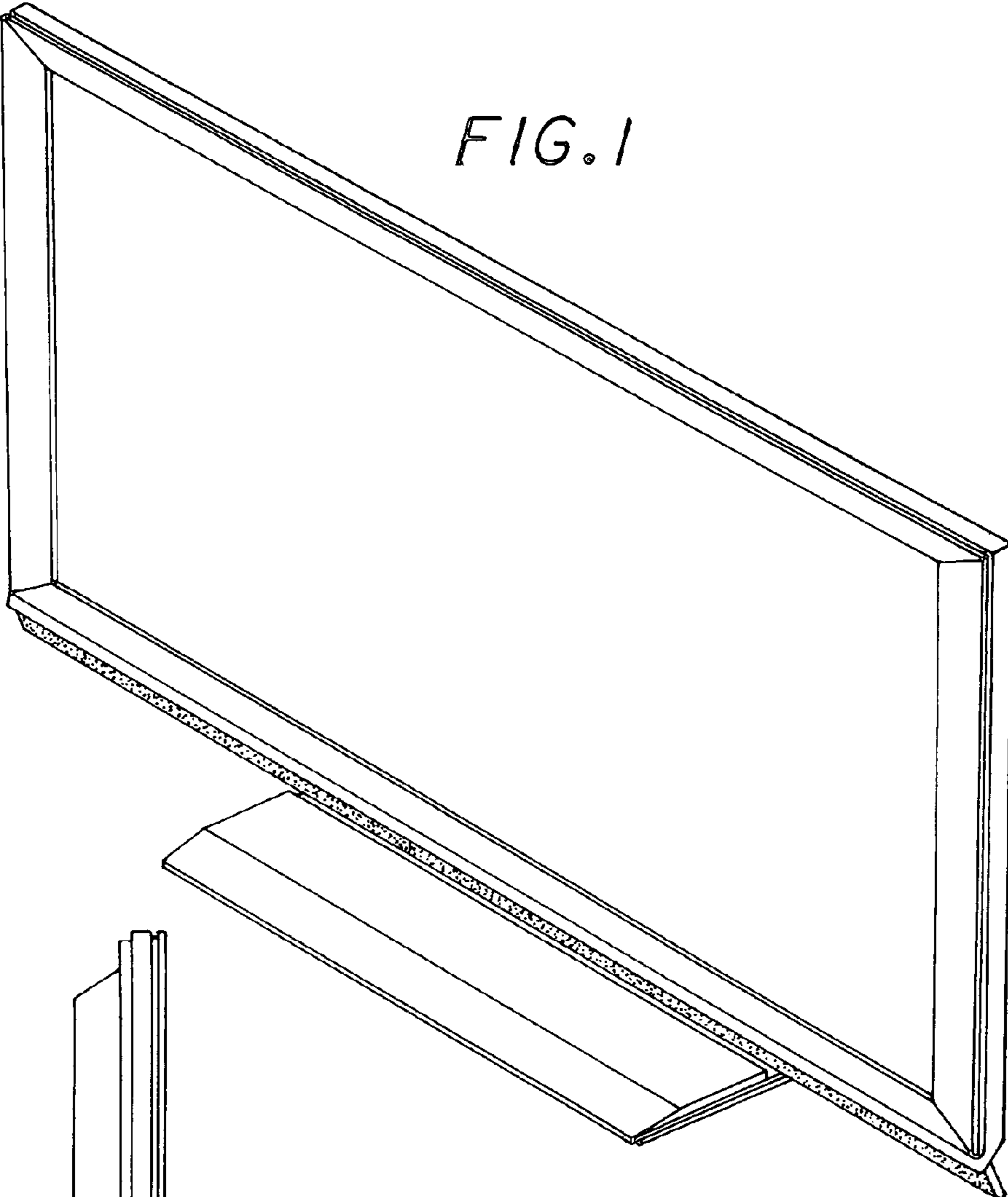


FIG. 1

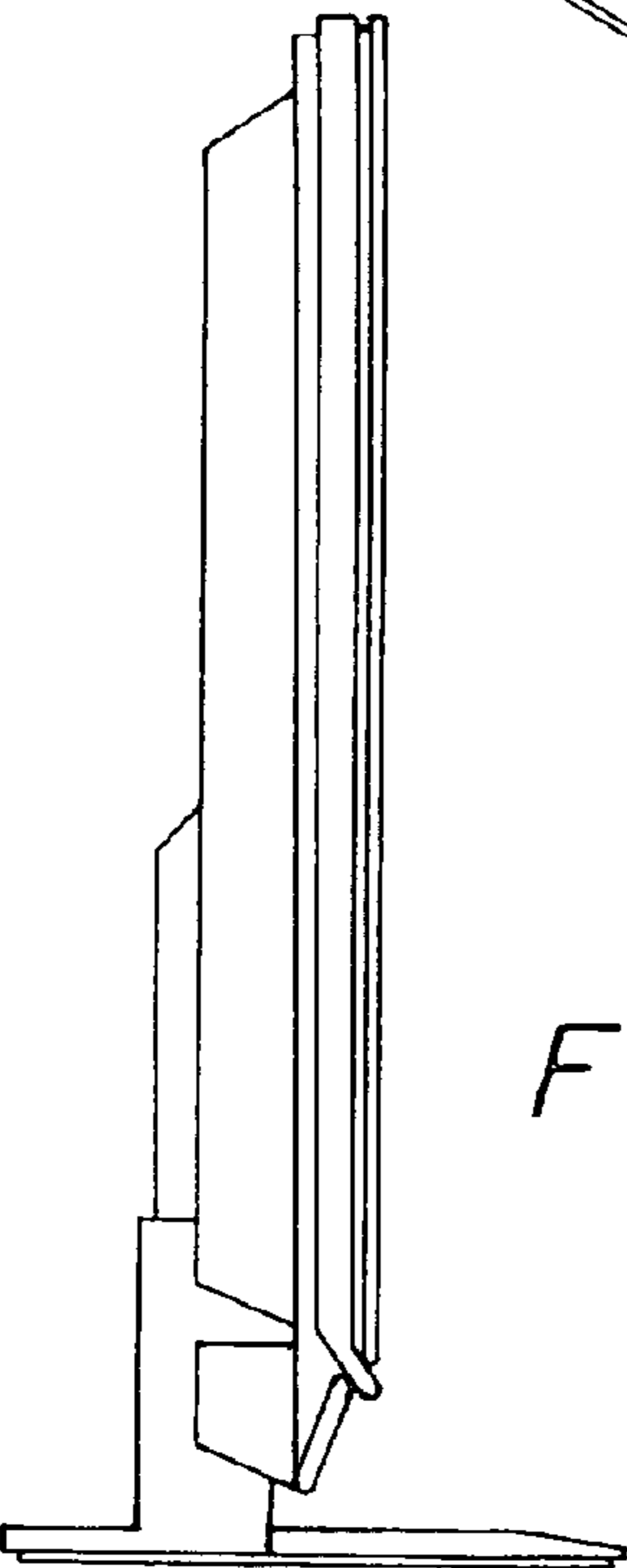


FIG. 4

FIG. 2

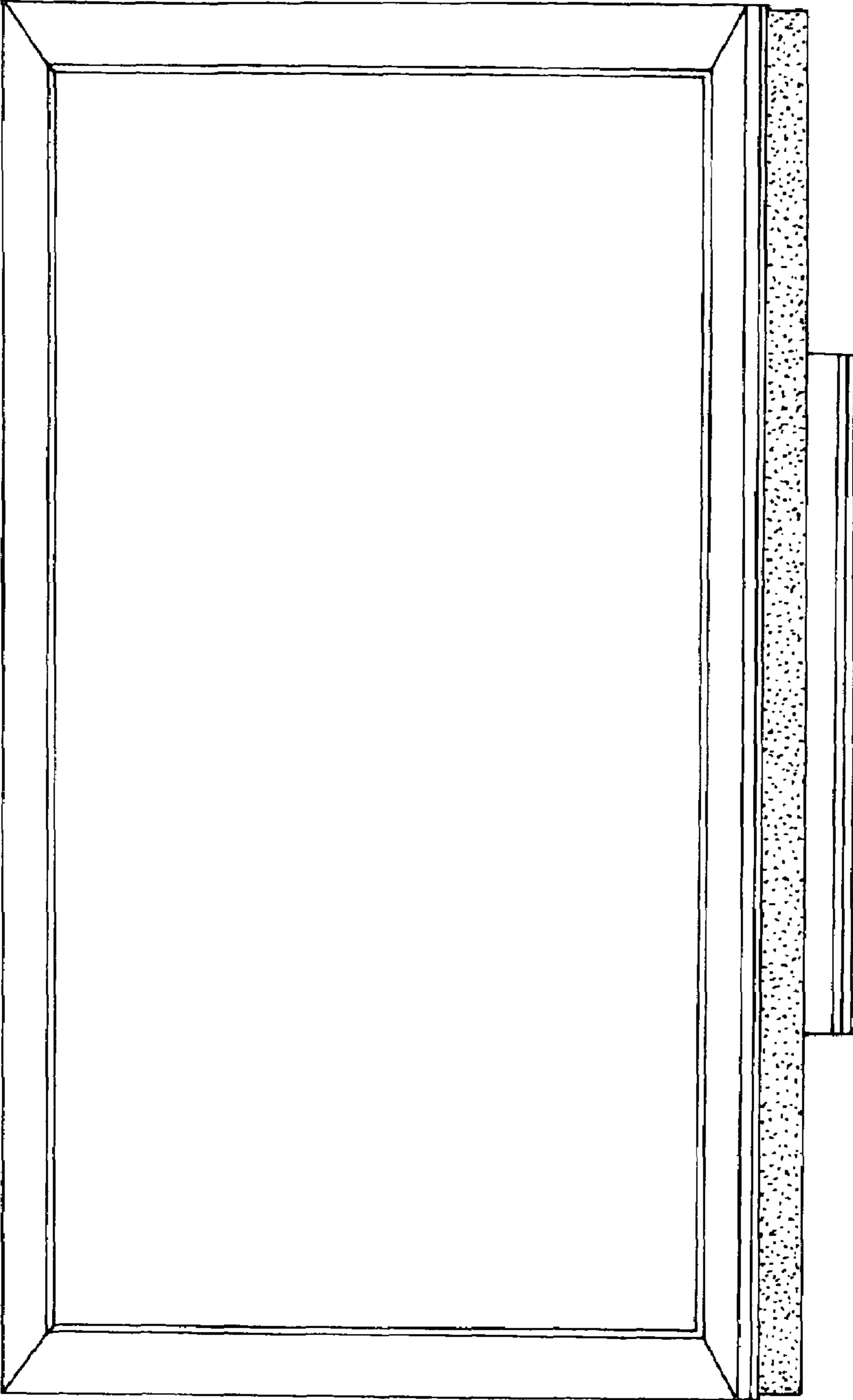


FIG. 3

