

US00D607424S

(12) **United States Design Patent**
Hosaka et al.

(10) **Patent No.:** **US D607,424 S**
(45) **Date of Patent:** **** Jan. 5, 2010**

(54) **WAFER CARRYING-IN/OUT APPARATUS**

2007/0098527 A1* 5/2007 Hall et al. 414/222.01

(75) Inventors: **Hiroki Hosaka**, Nirasaki (JP); **Shuji Akiyama**, Nirasaki (JP); **Tadashi Obikane**, Nirasaki (JP)

(73) Assignee: **Tokyo Electron Limited**, Tokyo (JP)

(**) Term: **14 Years**

(21) Appl. No.: **29/266,907**

(22) Filed: **Oct. 2, 2006**

(30) **Foreign Application Priority Data**

Mar. 30, 2006 (JP) 2006-008283

(51) **LOC (9) Cl.** **13-03**

(52) **U.S. Cl.** **D13/182**

(58) **Field of Classification Search** D13/182;
118/500, 719; 250/307, 310, 311; 414/217,
414/222.01, 935, 936, 937

See application file for complete search history.

(56) **References Cited**

U.S. PATENT DOCUMENTS

5,364,222	A *	11/1994	Akimoto et al.	414/416.03
5,628,828	A *	5/1997	Kawamura et al.	118/719
6,033,521	A *	3/2000	Allen et al.	156/345.12
6,405,610	B1 *	6/2002	Komatsu et al.	73/865.9
6,580,087	B1 *	6/2003	Suzuki et al.	250/559.4
7,109,483	B2 *	9/2006	Nakasuji et al.	250/310
2002/0028399	A1 *	3/2002	Nakasuji et al.	430/30
2003/0169916	A1 *	9/2003	Hayashi et al.	382/145
2004/0095575	A1 *	5/2004	Woo et al.	356/300
2004/0141831	A1 *	7/2004	Gilchrist et al.	414/217
2004/0146378	A1 *	7/2004	Okabe et al.	414/217
2007/0031236	A1 *	2/2007	Chen	414/936

OTHER PUBLICATIONS

U.S. Appl. No. 29/266,907, filed Oct. 2, 2006, Hosaka, et al.

U.S. Appl. No. 29/297,744, filed Nov. 16, 2007, Hosaka, et al.

* cited by examiner

Primary Examiner—Selina Sikder

(74) *Attorney, Agent, or Firm*—Oblon, Spivak, McClelland, Maier & Neustadt, L.L.P.

(57) **CLAIM**

The ornamental design for a wafer carrying-in/out apparatus or the like, as shown and described.

DESCRIPTION

FIG. 1 is a top plan view of a wafer carrying-in/out apparatus or the like, showing our new design;

FIG. 2 is a left side elevational view thereof;

FIG. 3 is a front elevational view thereof;

FIG. 4 is a right side elevational view thereof;

FIG. 5 is a rear elevational view thereof;

FIG. 6 is a bottom plan view thereof;

FIG. 7 is a top, front and right side perspective view thereof;

FIG. 8 is a top, front and right side perspective view thereof shown when the doors thereof have been opened;

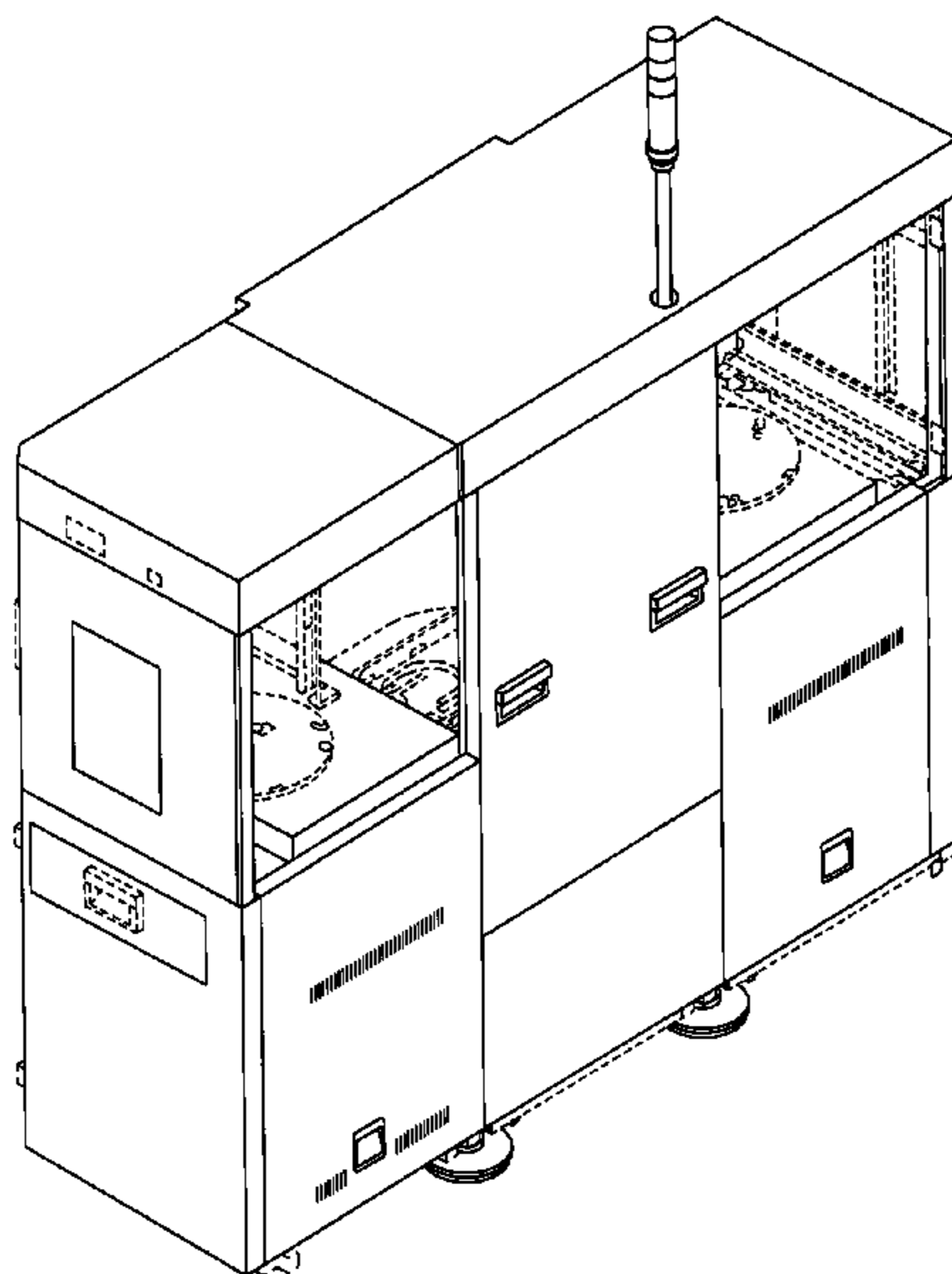
FIG. 9 is a front elevational view thereof shown with the windows thereof installed;

FIG. 10 is a left side elevational view thereof; and,

FIG. 11 is a rear elevational view thereof.

The features shown in broken lines in the drawings form no part of the claimed design.

1 Claim, 11 Drawing Sheets



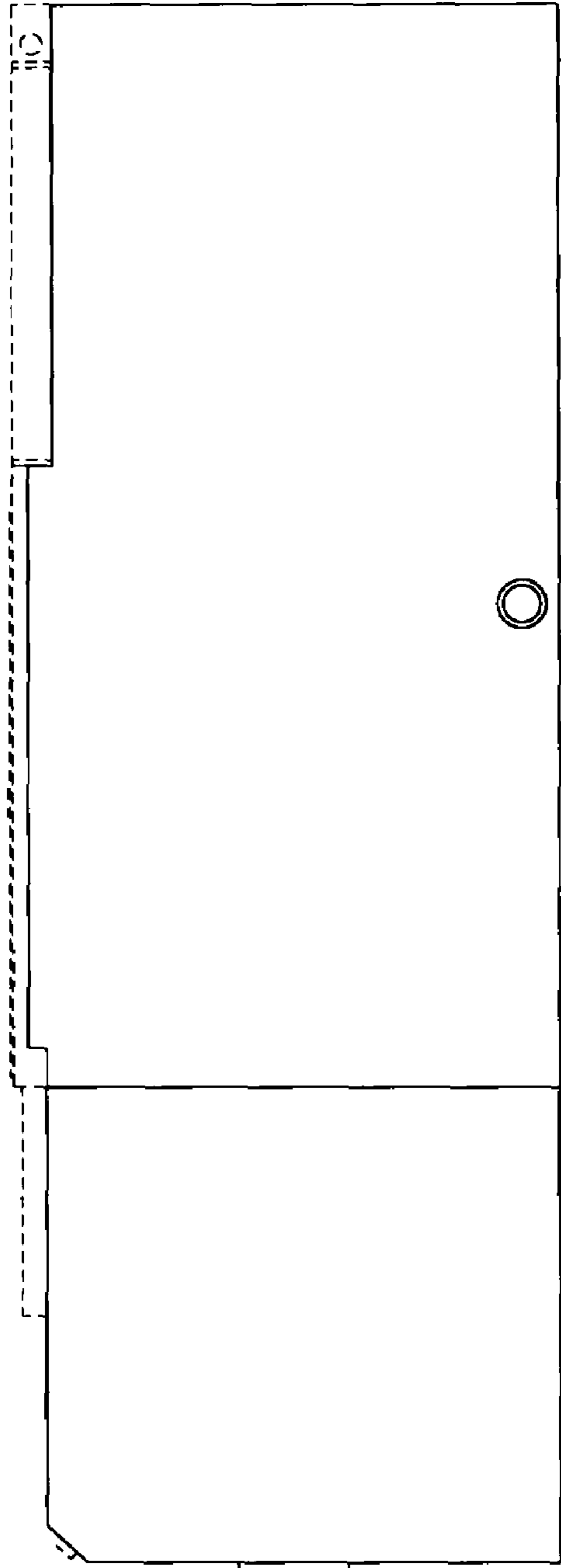


FIG. 1

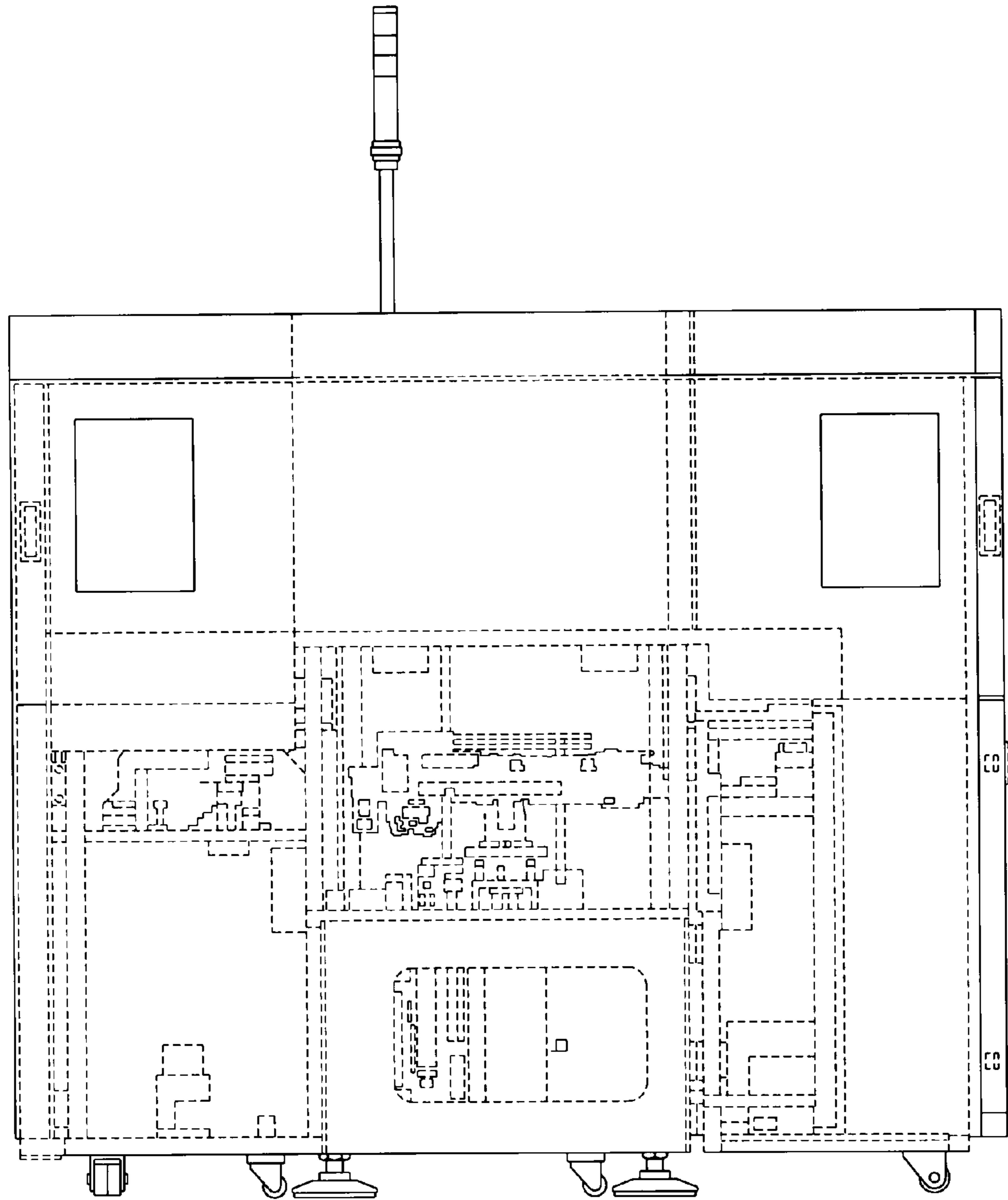


FIG. 2

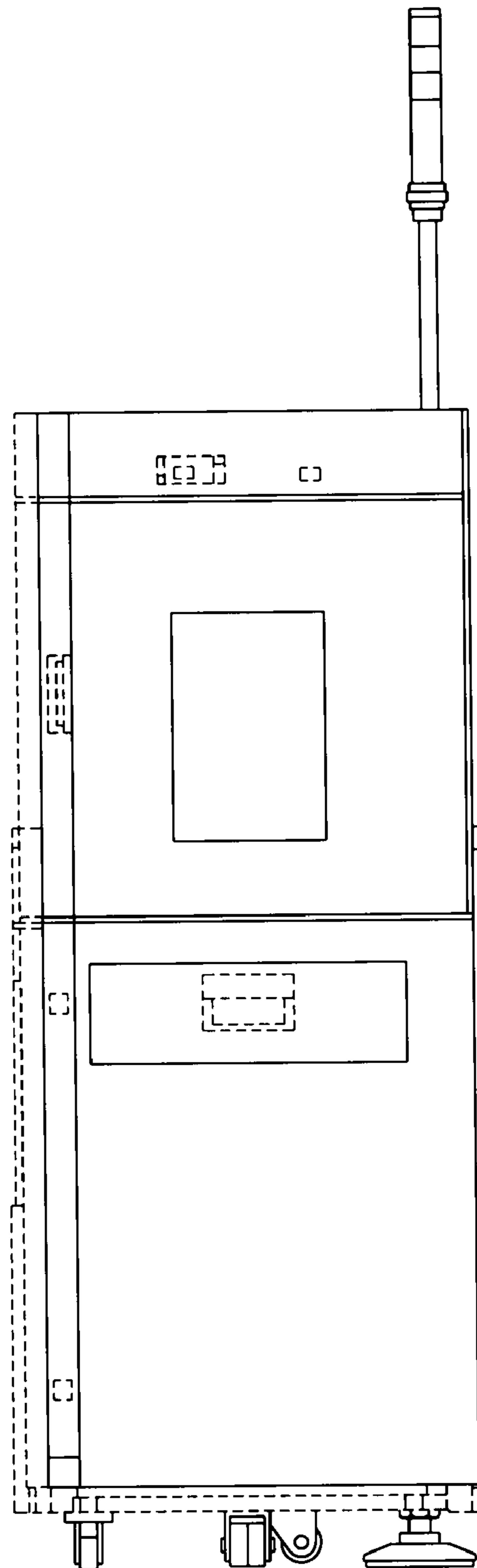


FIG. 3

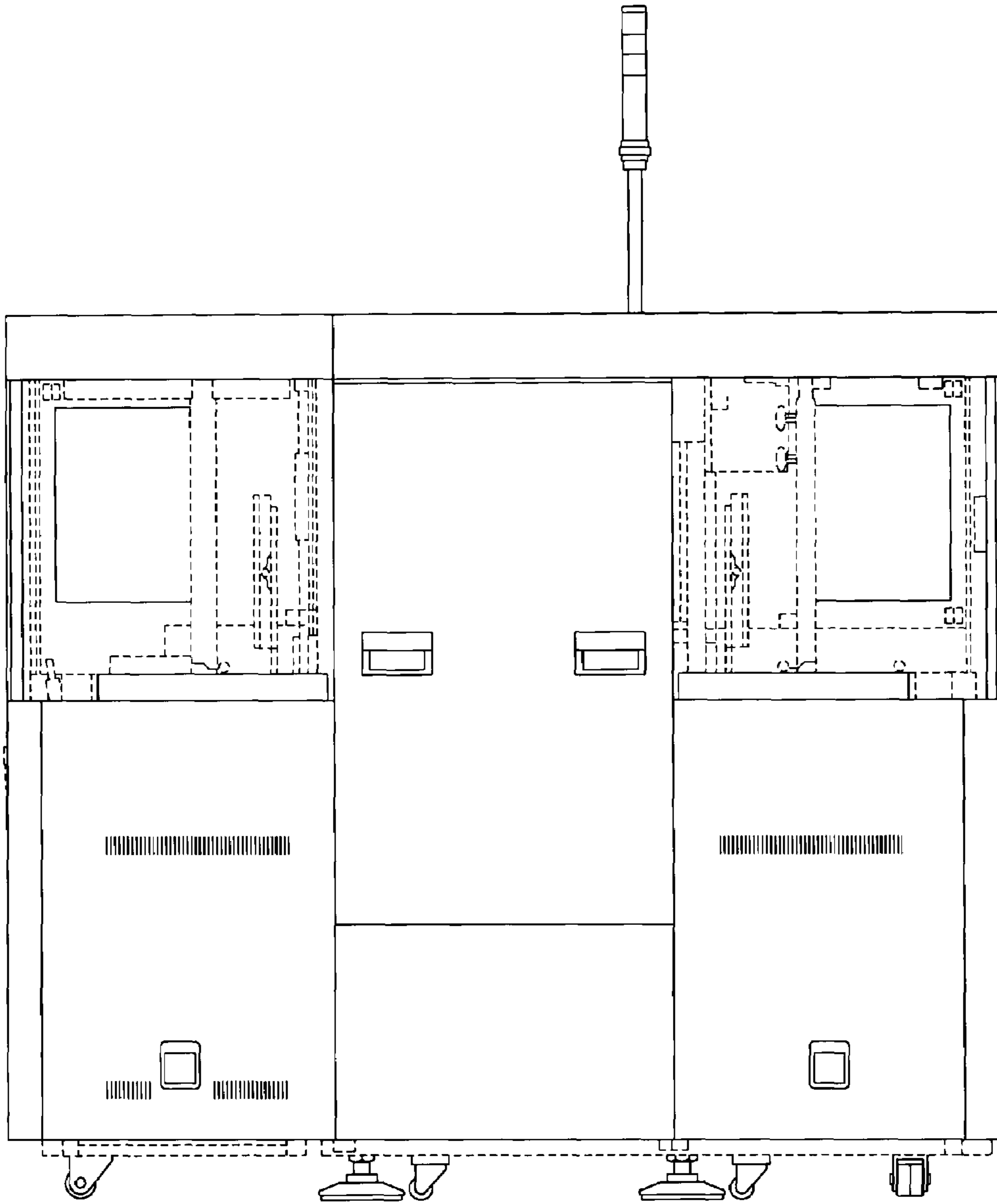


FIG. 4

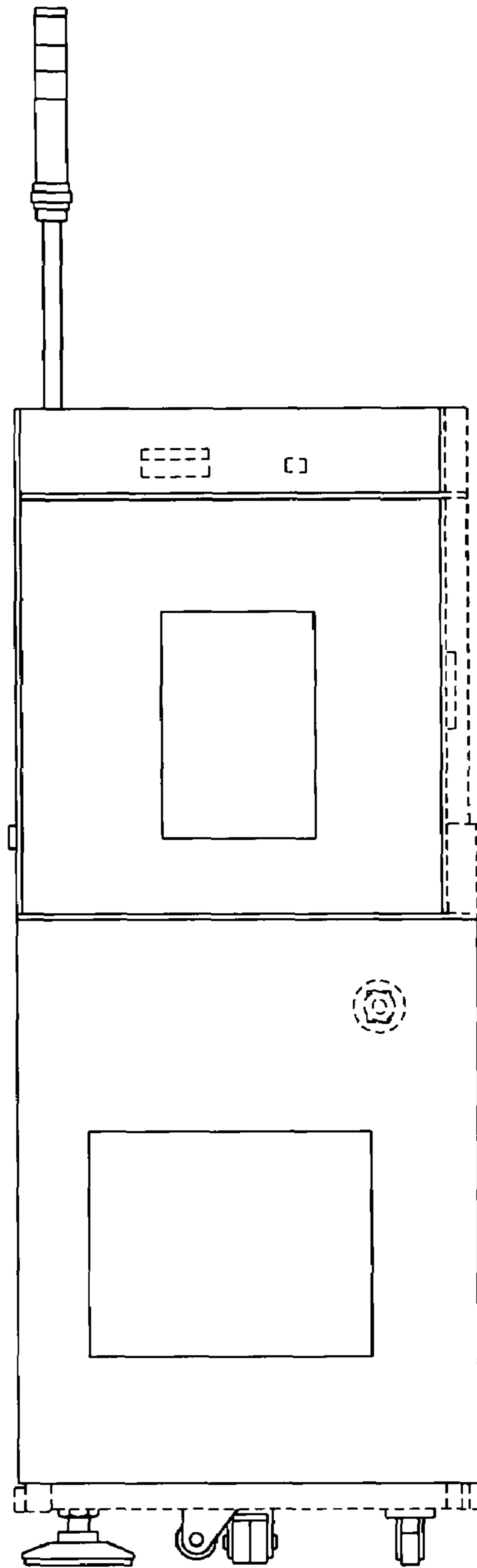


FIG. 5

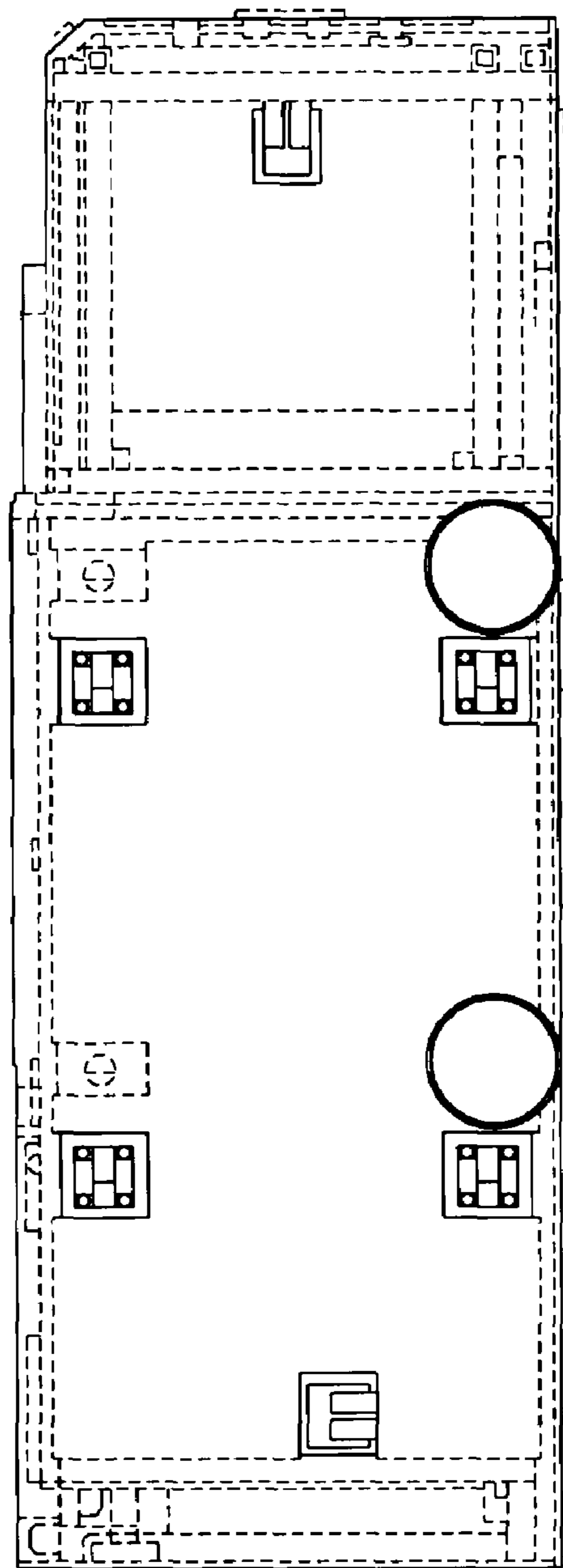


FIG. 6

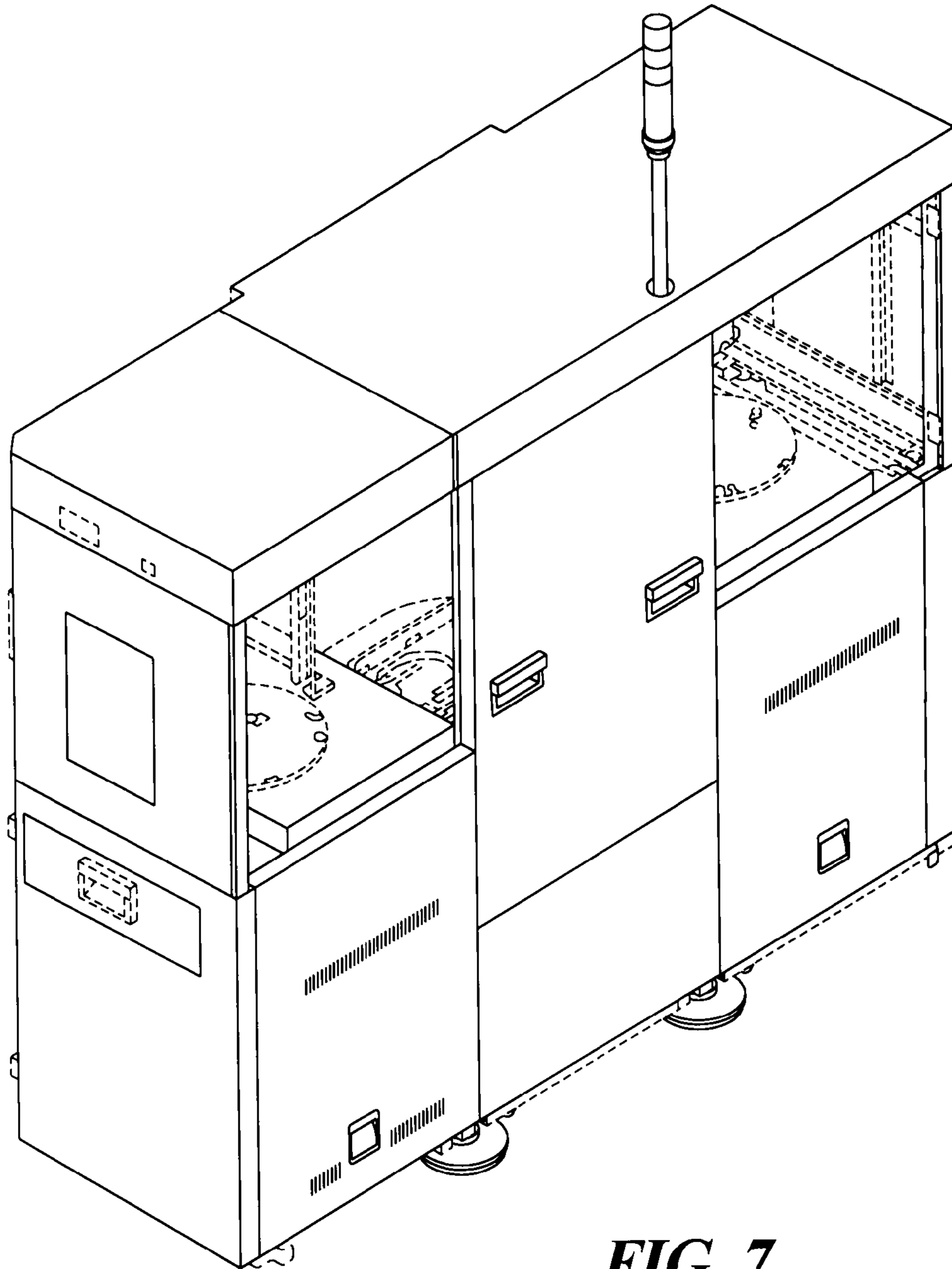


FIG. 7

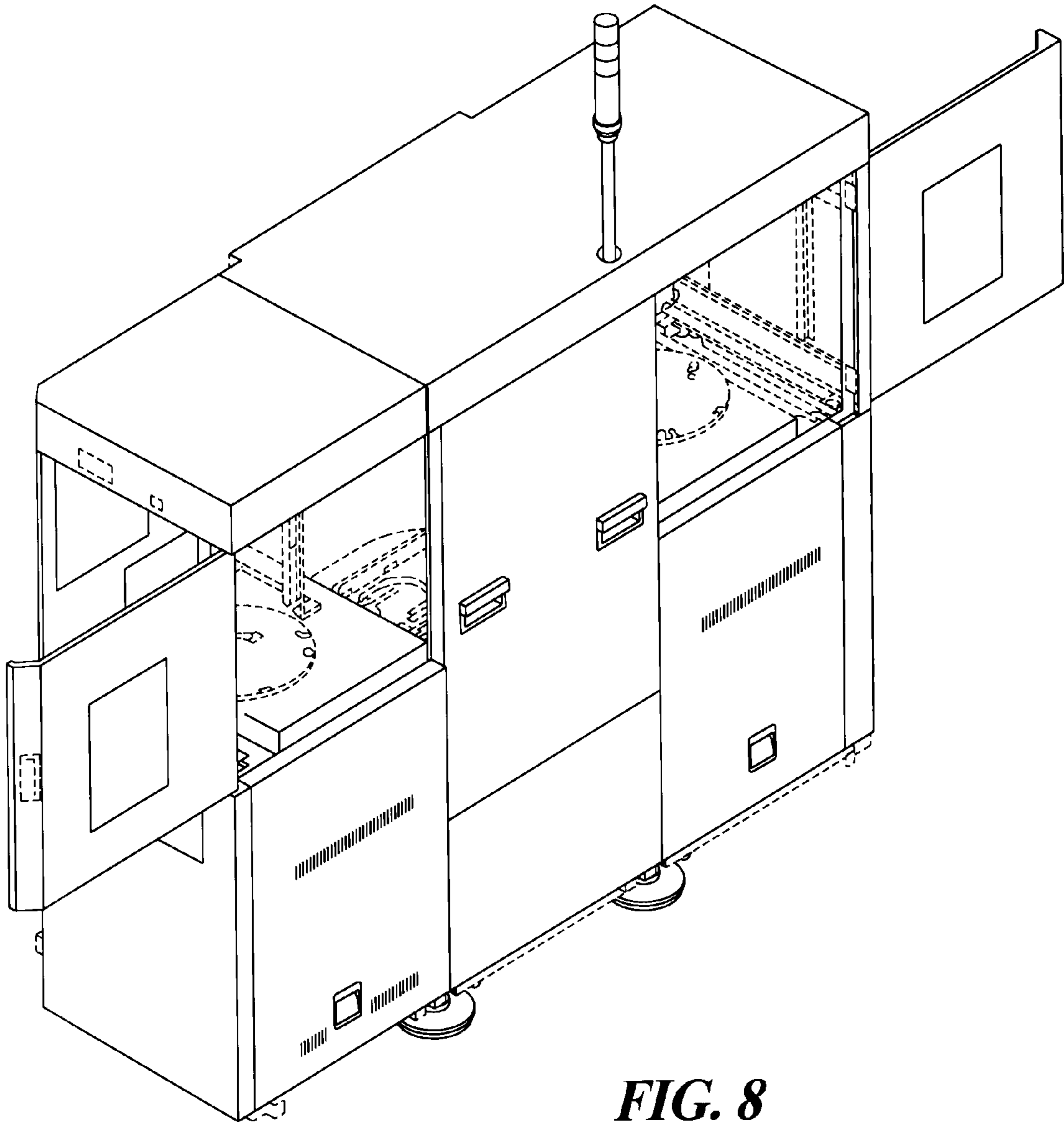


FIG. 8

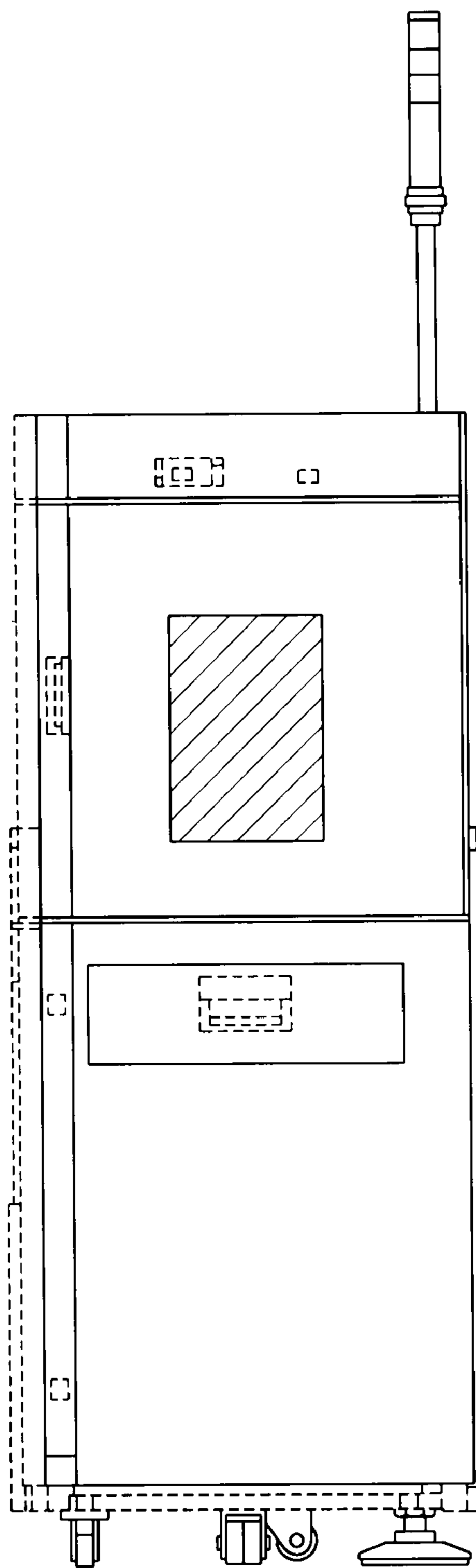


FIG. 9

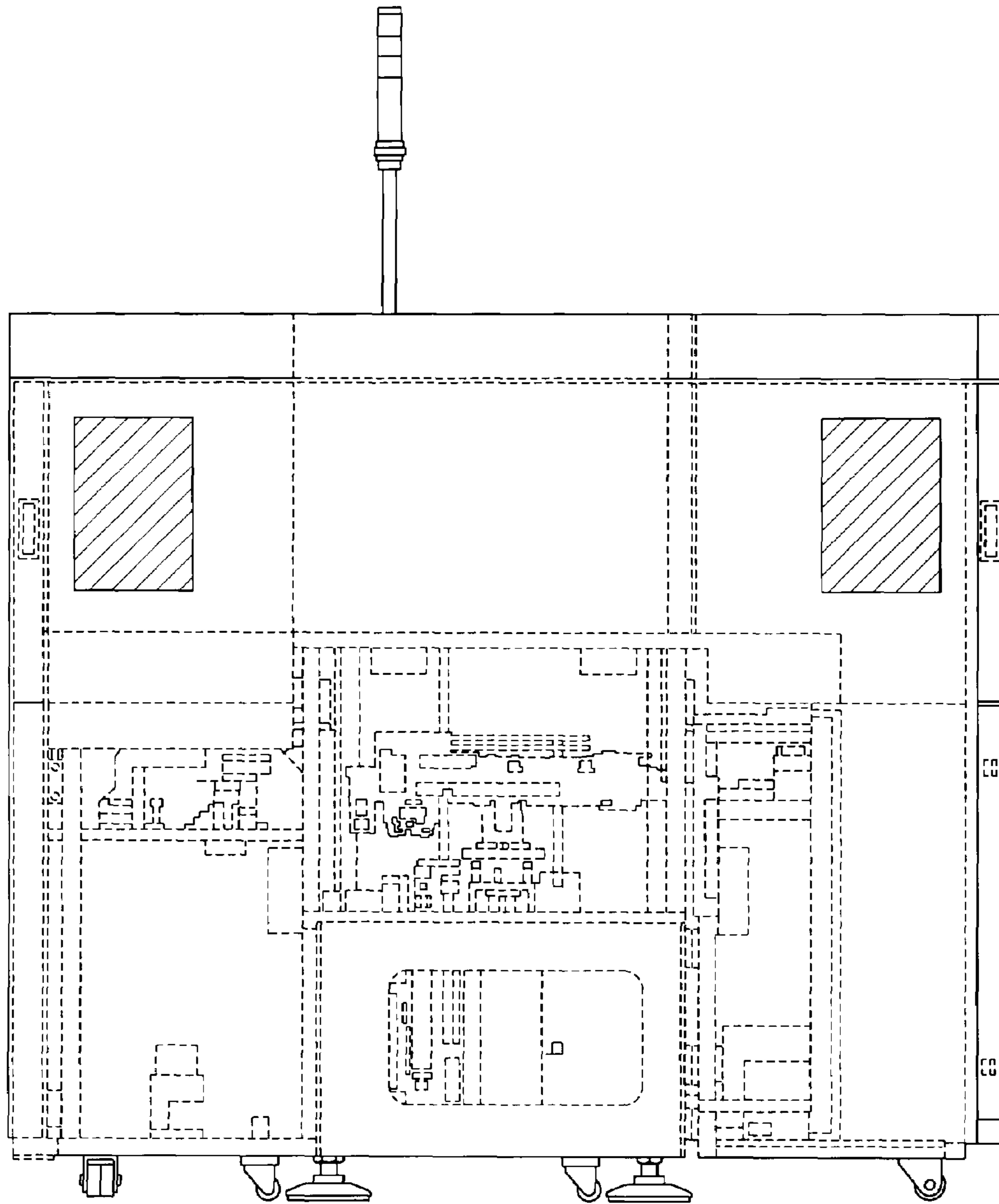


FIG. 10

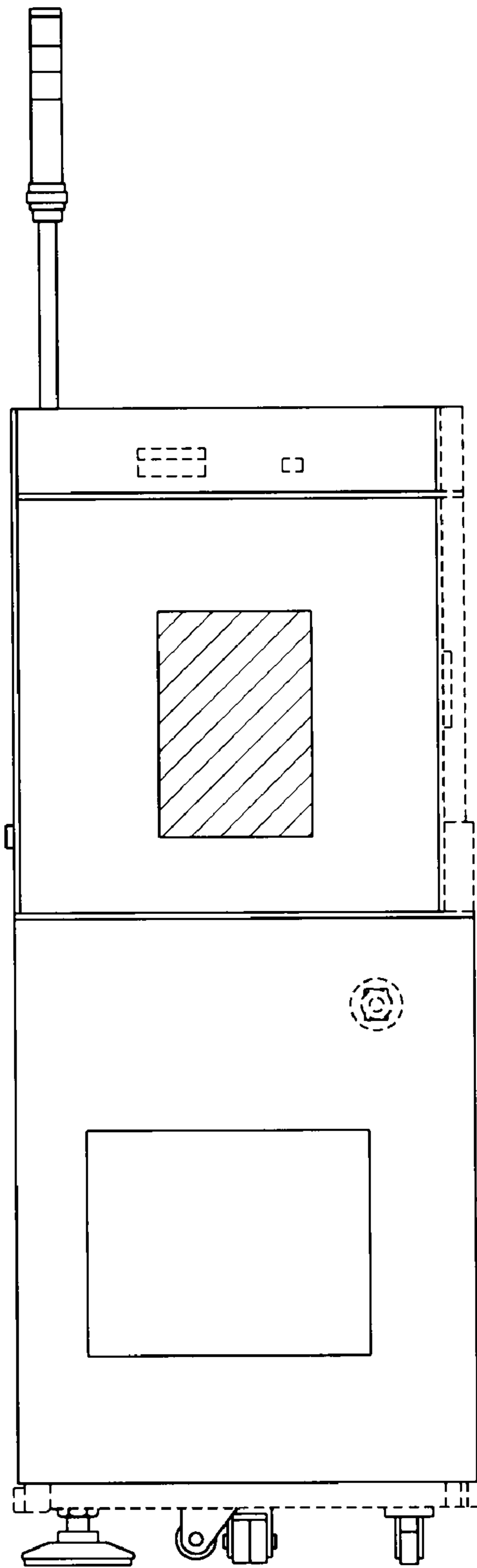


FIG. 11

UNITED STATES PATENT AND TRADEMARK OFFICE
Certificate

Patent No. D. 607,624 S

Patented: January 5, 2010

On petition requesting issuance of a certificate for correction of inventorship pursuant to 35 U.S.C. 256, it has been found that the above identified patent, through error and without any deceptive intent, improperly sets forth the inventorship.

Accordingly, it is hereby certified that the correct inventorship of this patent is: Mark W. Bergman, Minnetonka, MN (US); Matthew V. Leyden, St. Paul, MN (US); Jeffrey B. Waffensmith, North Oaks, MN (US); and Jeffrey T. Given, St. Paul, MN (US).

Signed and Sealed this Second Day of July 2013.

CATHRON BROOKS
Supervisory Patent Examiner
Art Unit 2911
Technology Center 2900