



US00D607422S

(12) **United States Design Patent**
Lu et al.

(10) **Patent No.:** **US D607,422 S**
(45) **Date of Patent:** **** Jan. 5, 2010**

(54) **LIGHT-EMITTING DIODE SUBSTRATE**

(75) Inventors: **Ying-Chieh Lu**, Miao-Li Hsien (TW);
Kuo-Feng Chiang, Miao-Li Hsien
(TW); **Chih-Ming Lai**, Miao-Li Hsien
(TW)

(73) Assignee: **Foxsemicon Integrated Technology,
Inc.**, Chu-Nan, Miao-Li Hsien (TW)

(**) Term: **14 Years**

(21) Appl. No.: **29/330,640**

(22) Filed: **Jan. 12, 2009**

(30) **Foreign Application Priority Data**

Aug. 29, 2008 (CN) 2008 3 0301272

(51) **LOC (9) Cl.** **13-03**

(52) **U.S. Cl.** **D13/180**

(58) **Field of Classification Search** D13/180;
D26/2; 257/79, 80, 81, 88, 89, 95, 98, 99,
257/100; 313/483, 498, 500; 362/555, 800
See application file for complete search history.

(56) **References Cited**

U.S. PATENT DOCUMENTS

D575,245 S * 8/2008 Yen D13/180

D578,083 S * 10/2008 Shimonishi et al. D13/180
7,445,354 B2 * 11/2008 Aoki et al. 362/241
D585,847 S * 2/2009 Roberts et al. D13/180
D590,356 S * 4/2009 Takano et al. D13/180
D597,500 S * 8/2009 Sung et al. D13/180
2008/0291691 A1 * 11/2008 Ishizaka et al. 362/555

* cited by examiner

Primary Examiner—Selina Sikder

(74) *Attorney, Agent, or Firm*—Clifford O. Chi

(57) **CLAIM**

The ornamental design for a light-emitting diode substrate, as shown.

DESCRIPTION

FIG. 1 is a perspective view of a light-emitting diode substrate showing our new design.

FIG. 2 is a front elevational view thereof.

FIG. 3 is a rear elevational view thereof.

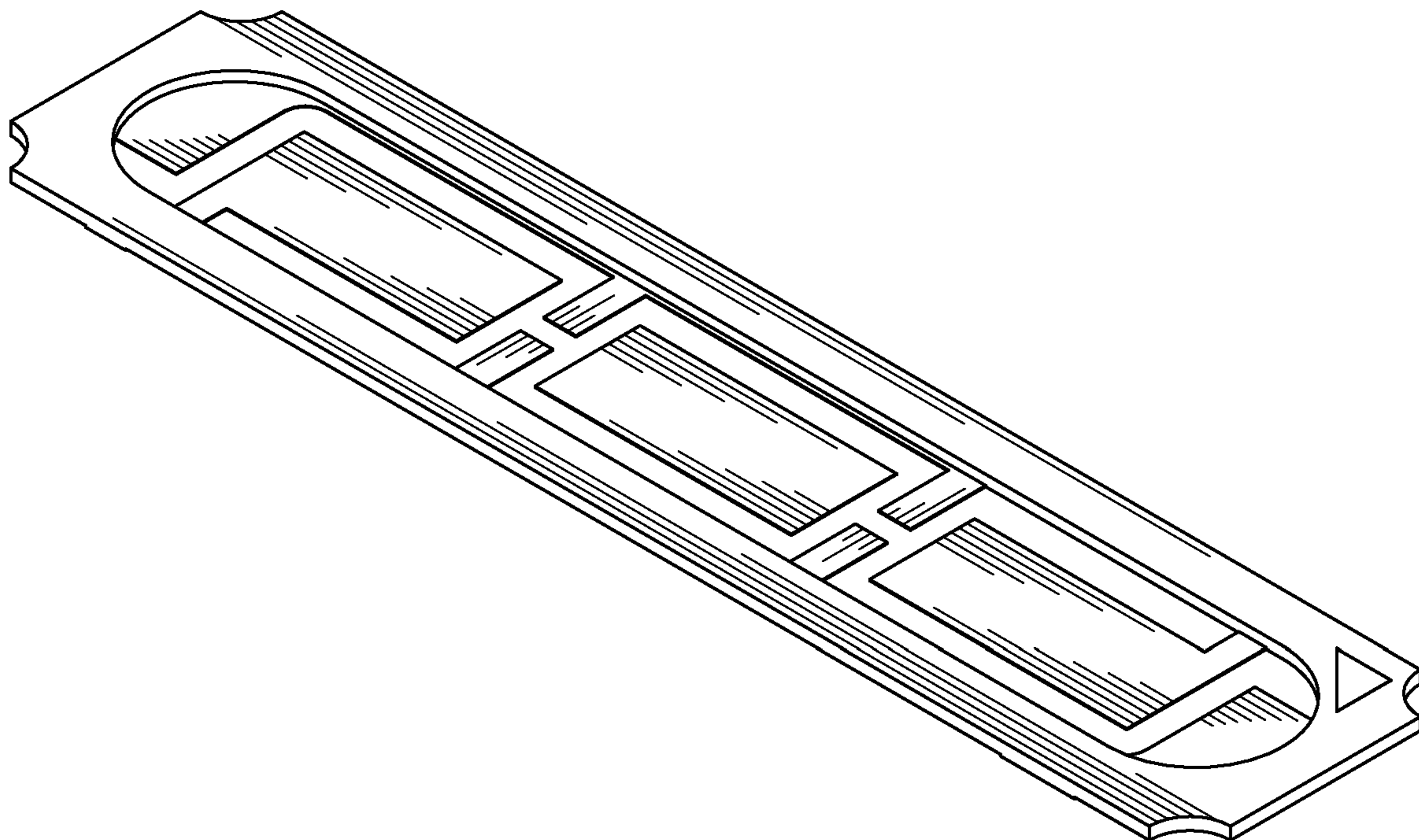
FIG. 4 is a left-side, elevational view thereof.

FIG. 5 is a right-side, elevational view thereof.

FIG. 6 is a top plan view thereof; and,

FIG. 7 is a bottom plan view thereof.

1 Claim, 7 Drawing Sheets



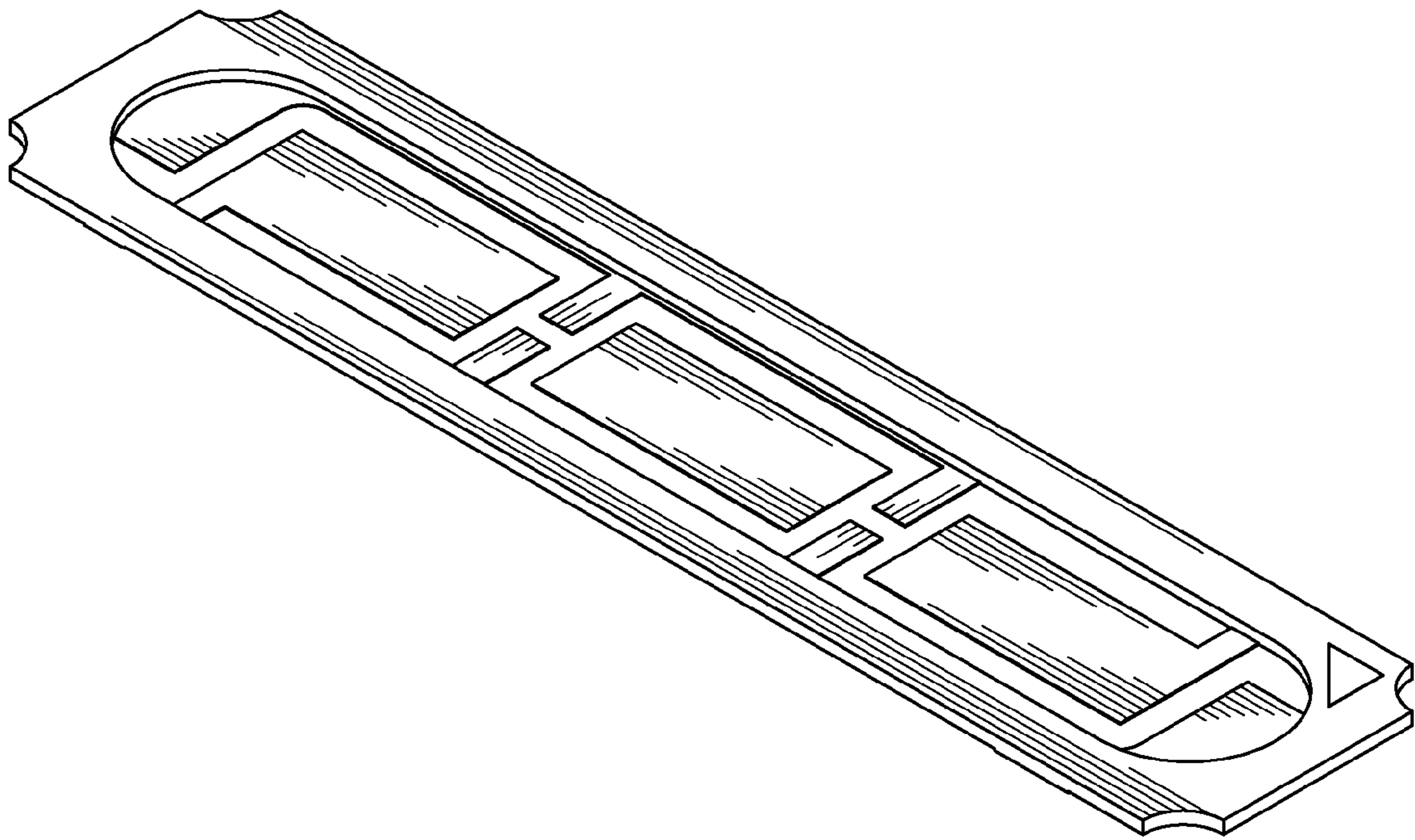


FIG. 1



FIG. 2



FIG. 3



FIG. 4



FIG. 5

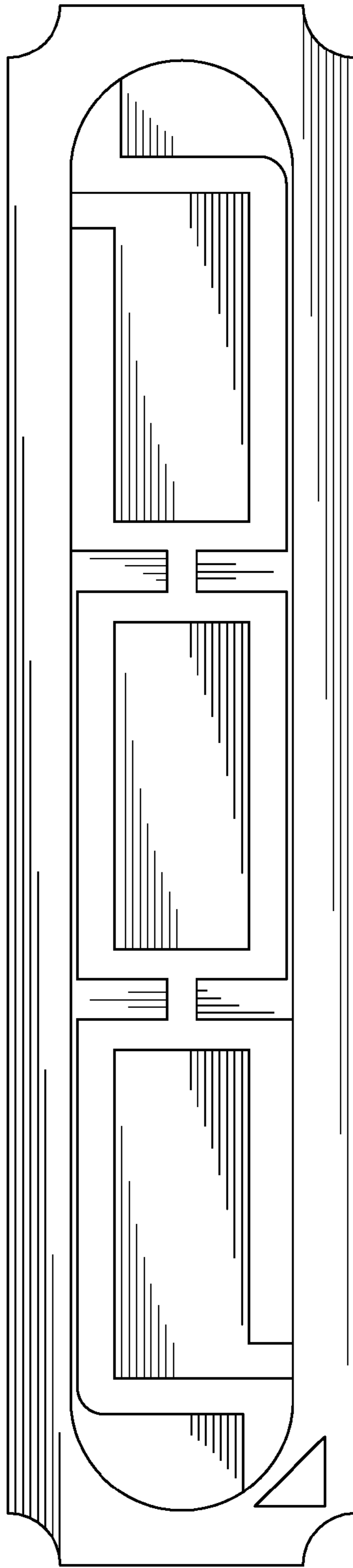


FIG. 6

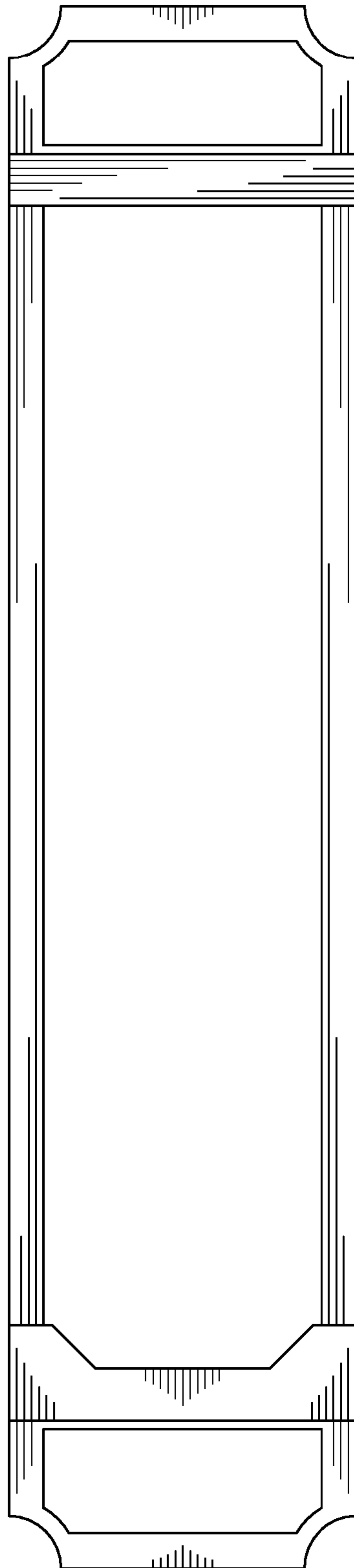


FIG. 7