



US00D607416S

(12) **United States Design Patent**  
**Gentner et al.**

(10) **Patent No.:** **US D607,416 S**

(45) **Date of Patent:** **\*\* Jan. 5, 2010**

(54) **CONTROL UNIT**

(75) Inventors: **Russell Gentner**, Draper, UT (US);  
**Corina R. Schaeffer**, Simi Valley, CA  
(US); **Keldon A. Paxman**, Highland, UT  
(US); **Peter Schmidt**, Los Gatos, CA  
(US)

(73) Assignee: **Listen Technologies Corporation**,  
Bluffdale, UT (US)

(\*\*) Term: **14 Years**

(21) Appl. No.: **29/335,436**

(22) Filed: **Apr. 15, 2009**

(51) **LOC (9) Cl.** ..... **13-03**

(52) **U.S. Cl.** ..... **D13/162**

(58) **Field of Classification Search** ..... D13/123,  
D13/133, 146, 147, 158, 159, 160, 161, 162,  
D13/162.1, 164, 174, 184, 199; D15/143,  
D15/199; 74/73.12, 89.15, 335, 411.5, 490.09;  
91/61, 136, 451; 310/20, 80

See application file for complete search history.

(56) **References Cited**

**U.S. PATENT DOCUMENTS**

D418,822 S \* 1/2000 Worley et al. .... D14/356  
D431,230 S \* 9/2000 Began ..... D13/184  
D437,396 S \* 2/2001 Flanagan ..... D23/325

D454,625 S \* 3/2002 Flanagan ..... D23/325  
D456,365 S \* 4/2002 Suen ..... D13/164  
D546,352 S \* 7/2007 Tsou et al. .... D15/143  
D587,211 S \* 2/2009 Greenslade ..... D13/162

\* cited by examiner

*Primary Examiner*—Daniel D Bui

*Assistant Examiner*—Thomas J Johannes

(74) *Attorney, Agent, or Firm*—TraskBritt

(57) **CLAIM**

The ornamental design for the control unit, as shown and described.

**DESCRIPTION**

FIG. 1 is a perspective view of control unit showing our new design;

FIG. 2 a front view of the control unit shown in FIG. 1;

FIG. 3 is a rear view of the control unit shown in FIG. 1;

FIG. 4 is a left side view of the control unit shown in FIG. 1;

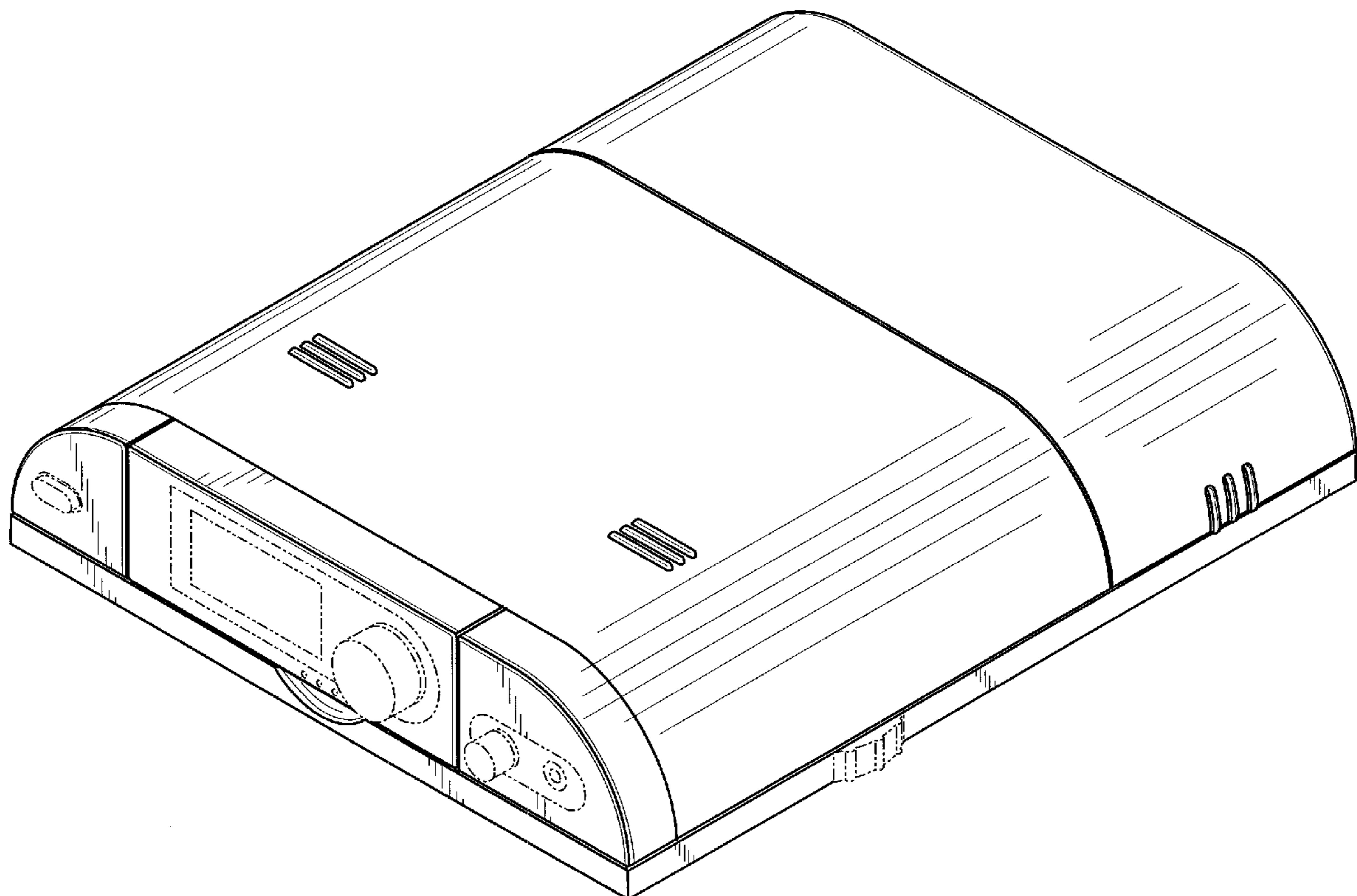
FIG. 5 is a right side view of the control unit shown in FIG. 1;

FIG. 6 is a top view of the control unit shown in FIG. 1; and,

FIG. 7 is a bottom view of the control unit shown in FIG. 1.

The broken line portion of the figures is included to show the unclaimed subject matter only and forms no part of the claimed design.

**1 Claim, 5 Drawing Sheets**



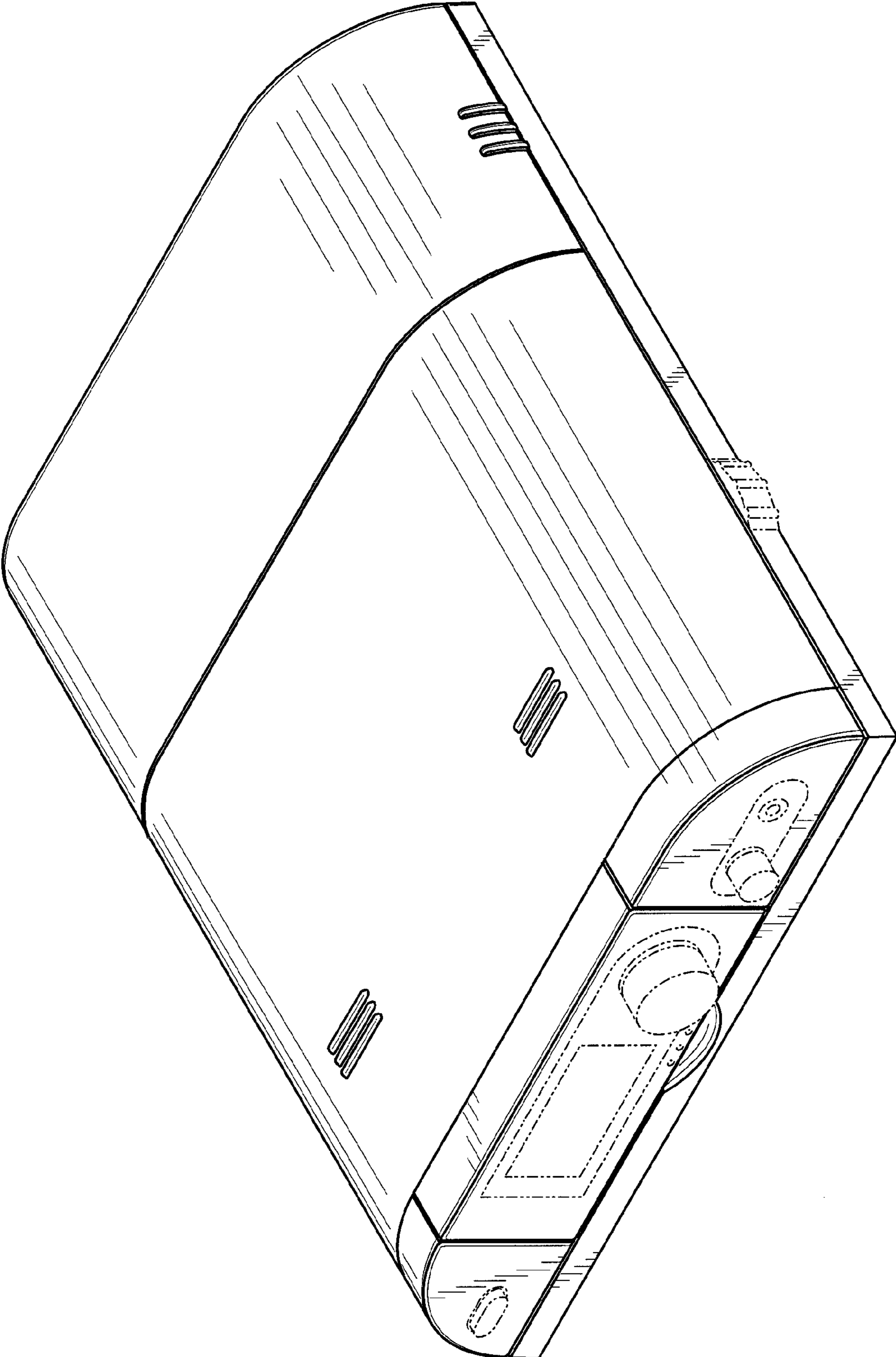
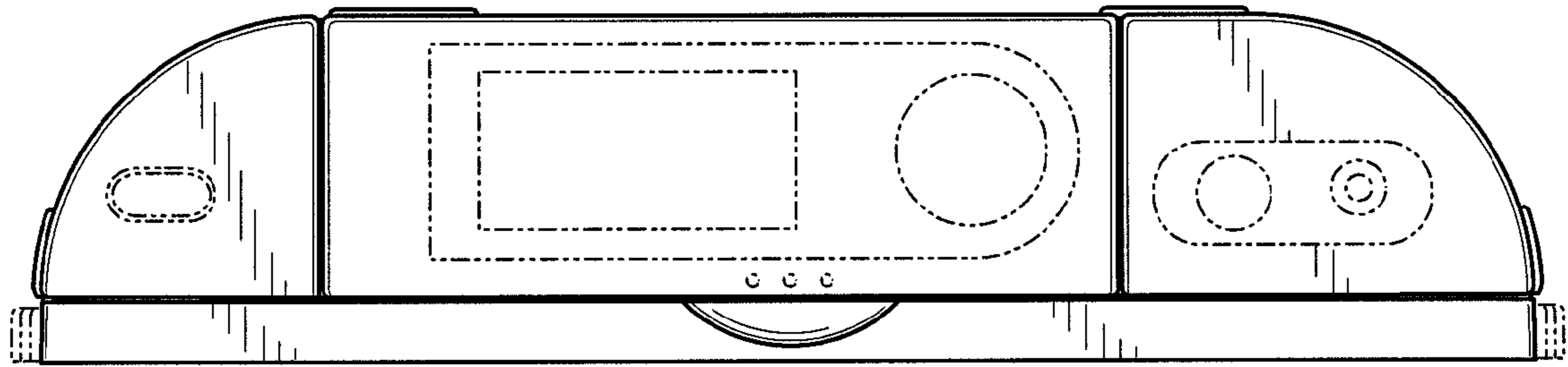
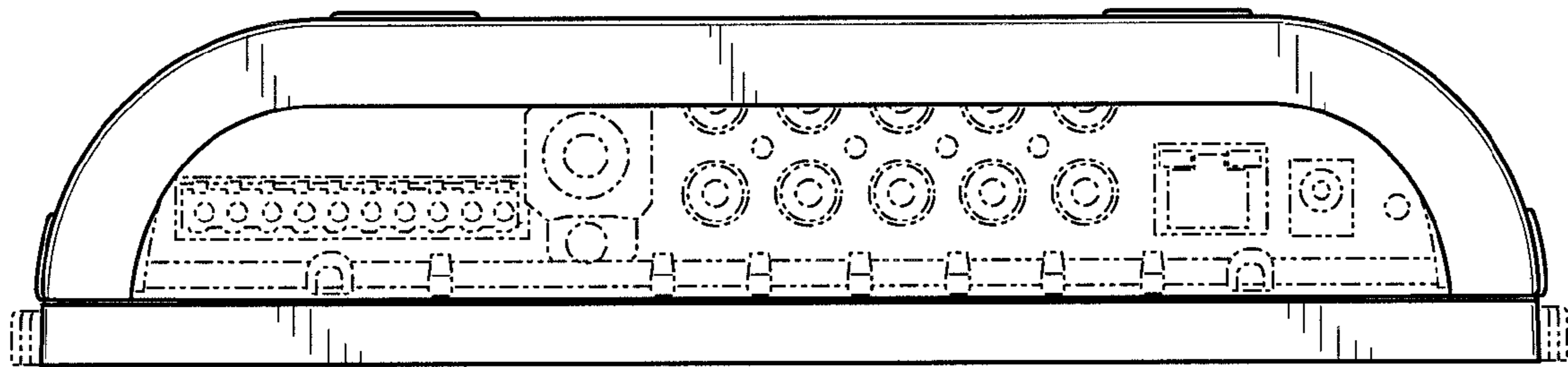


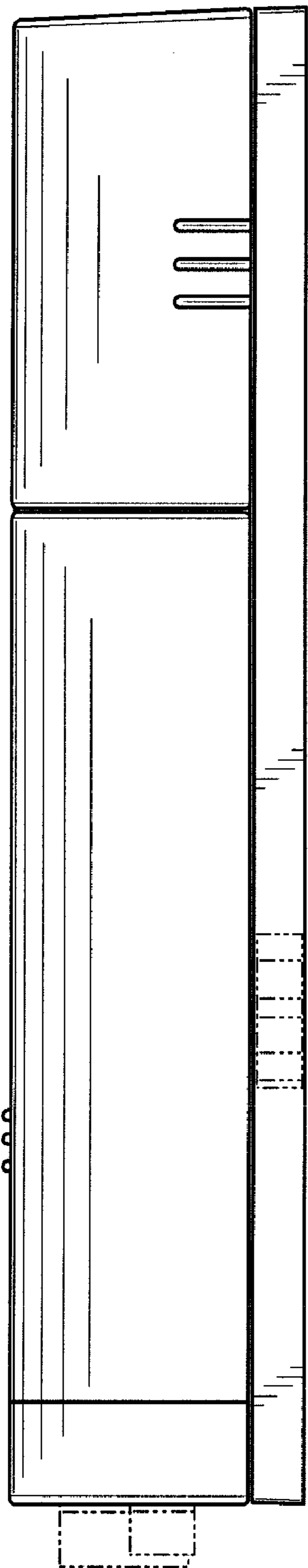
FIG. 1



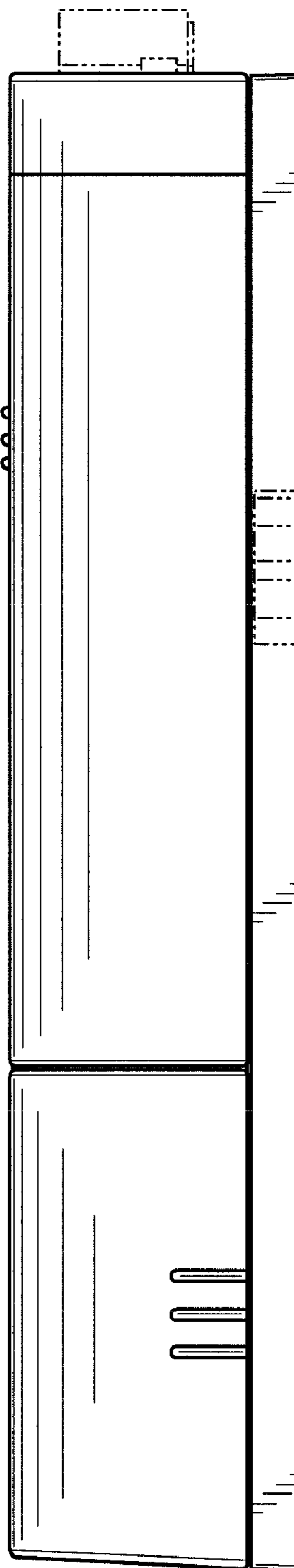
**FIG. 2**



**FIG. 3**



**FIG. 4**



**FIG. 5**

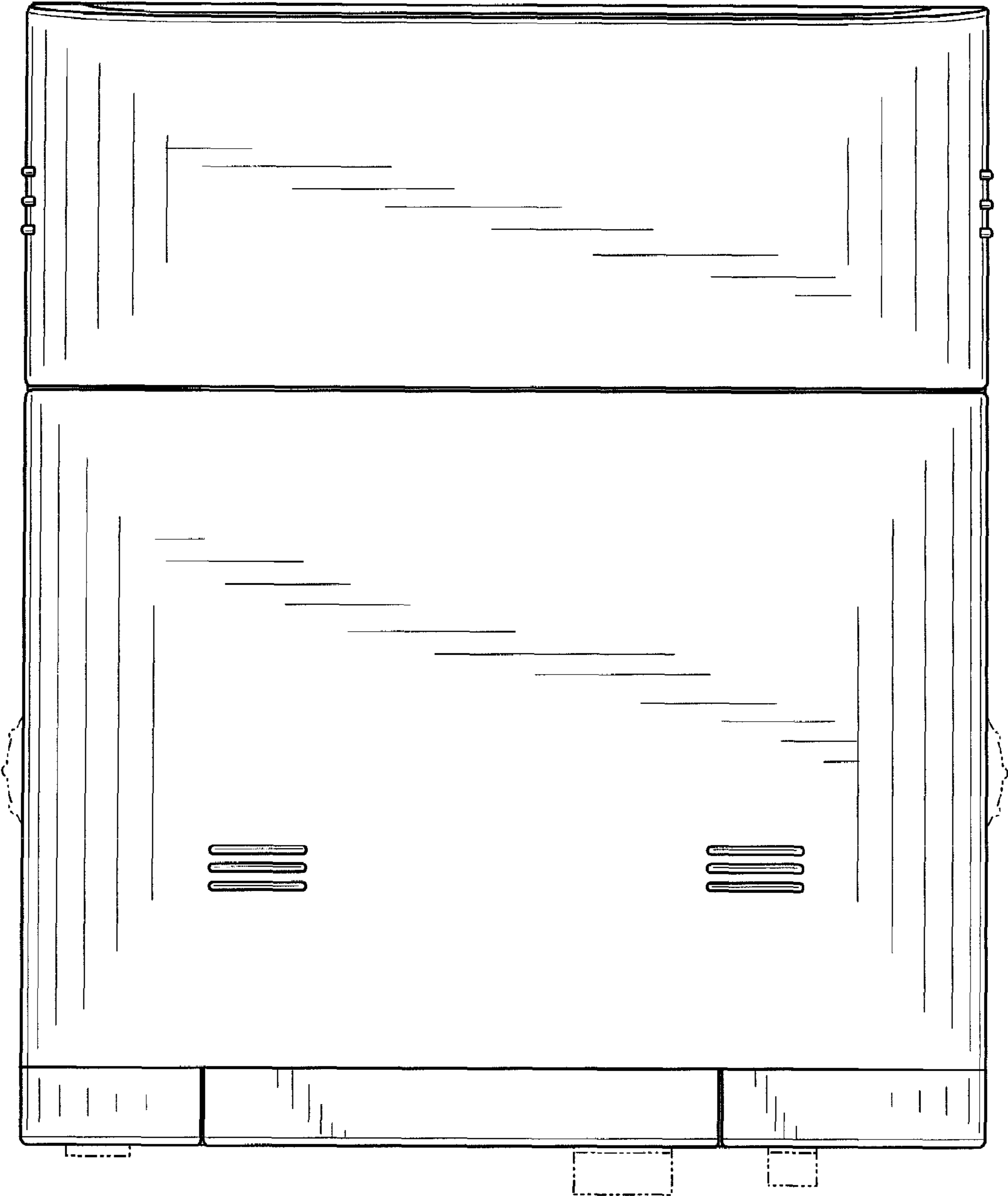


FIG. 6

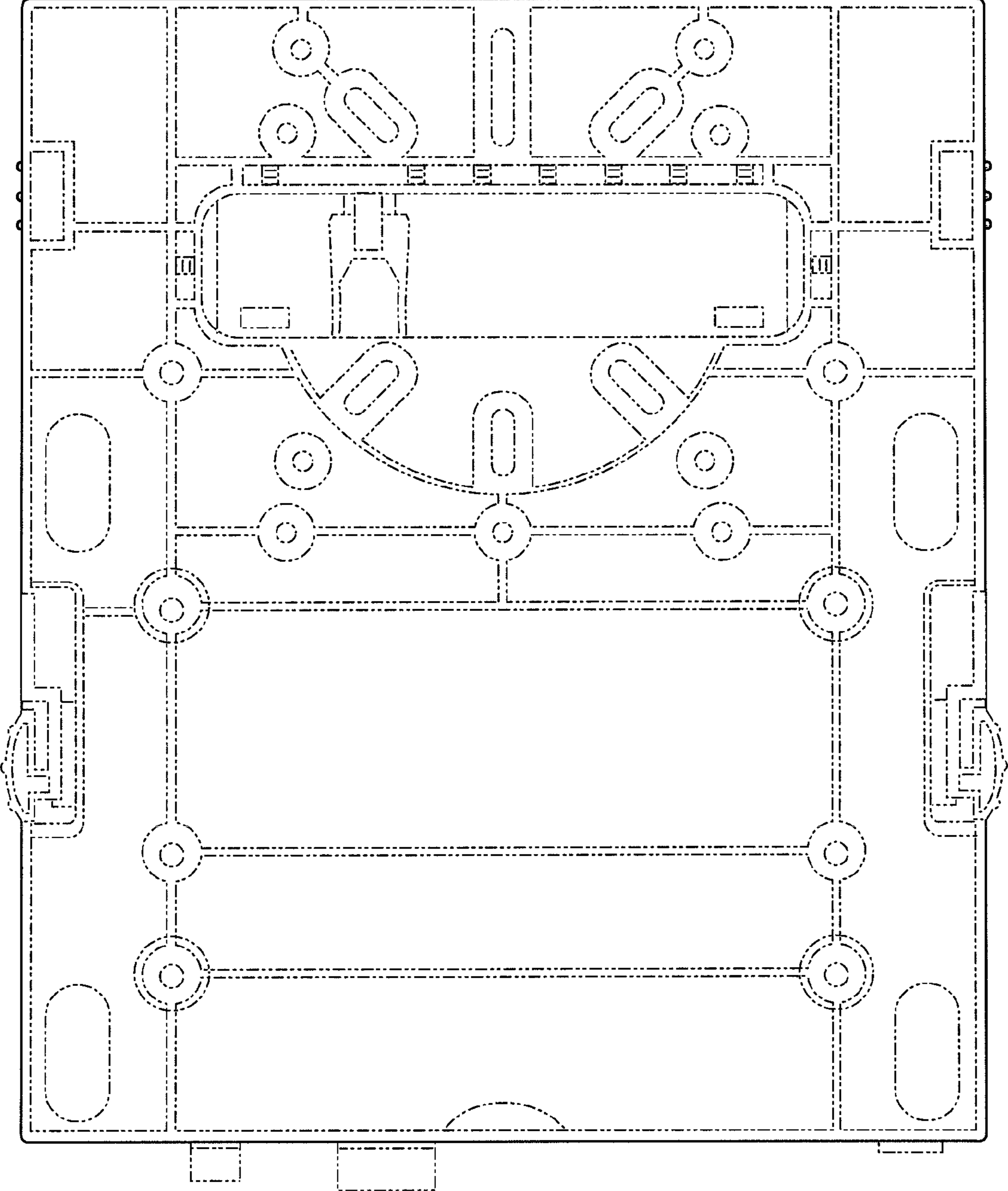


FIG. 7