



US00D607412S

(12) **United States Design Patent**
Palomaki

(10) **Patent No.:** **US D607,412 S**

(45) **Date of Patent:** **** Jan. 5, 2010**

(54) **PLUG COVER LOCK**

(76) Inventor: **William Palomaki**, 7007 Sundew Rd.,
Sobieski, WI (US) 54171

(**) Term: **14 Years**

(21) Appl. No.: **29/337,392**

(22) Filed: **May 21, 2009**

(51) **LOC (9) Cl.** **13-03**

(52) **U.S. Cl.** **D13/149**

(58) **Field of Classification Search** D13/154,
D13/149, 137.4, 139.8, 139.9, 133, 156, 184,
D13/199; 439/369, 375

See application file for complete search history.

(56) **References Cited**

U.S. PATENT DOCUMENTS

3,144,506	A	8/1964	Gunthel, Jr.	
3,716,815	A	2/1973	Riches	
4,935,582	A	6/1990	Calligaris	
5,099,088	A	3/1992	Usami	
D332,940	S *	2/1993	Finlay	D13/154
5,259,782	A *	11/1993	Giffin	439/367
D346,787	S *	5/1994	Cullen	D13/154
D351,373	S	10/1994	Barton	
5,755,588	A *	5/1998	Sweatman et al.	439/369
5,844,171	A *	12/1998	Fitzgerald	174/92
D407,377	S *	3/1999	Landerholm et al.	D13/154
5,913,692	A *	6/1999	Targett	439/369
D473,524	S *	4/2003	Koehler	D13/156
7,141,738	B2 *	11/2006	Marsac et al.	174/92
7,273,984	B2	9/2007	Murphy	
D582,228	S	12/2008	Ordoukhanian	
D586,757	S *	2/2009	Minnick	D13/156

2004/0097120	A1 *	5/2004	Limber et al.	439/369
2005/0160147	A1	7/2005	Marsach	
2007/0134958	A1	6/2007	Noro	
2008/0160824	A1	7/2008	Liu	

* cited by examiner

Primary Examiner—Daniel D Bui

Assistant Examiner—Thomas J Johannes

(74) *Attorney, Agent, or Firm*—Luca D'Ottone; KB Patents

(57) **CLAIM**

The ornamental design for a plug cover lock, as shown and described.

DESCRIPTION

FIG. 1 is perspective front view of the plug cover lock of the present invention

FIG. 2 is a perspective rear view of the plug cover lock of the present invention

FIG. 3 is a front view of the plug cover lock of the present invention

FIG. 4 is a right side view of the plug cover lock of the present invention

FIG. 5 is a left side view of the plug cover lock of the present invention

FIG. 6 is a top view of the plug cover lock of the present invention

FIG. 7 is a rear view of the plug cover lock of the present invention; and,

FIG. 8 is a back view of the plug cover lock of the present invention.

1 Claim, 8 Drawing Sheets

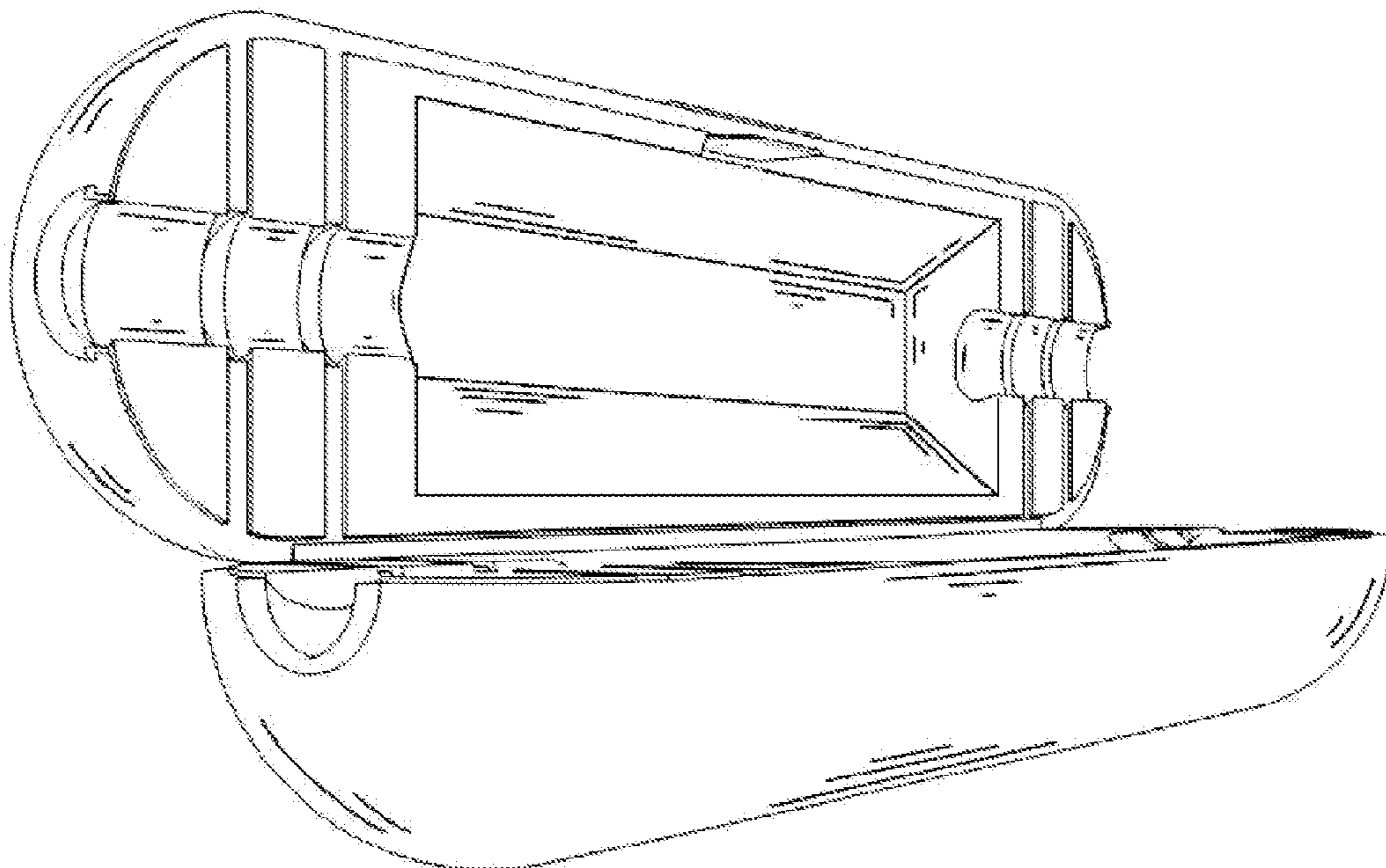


FIG. 1

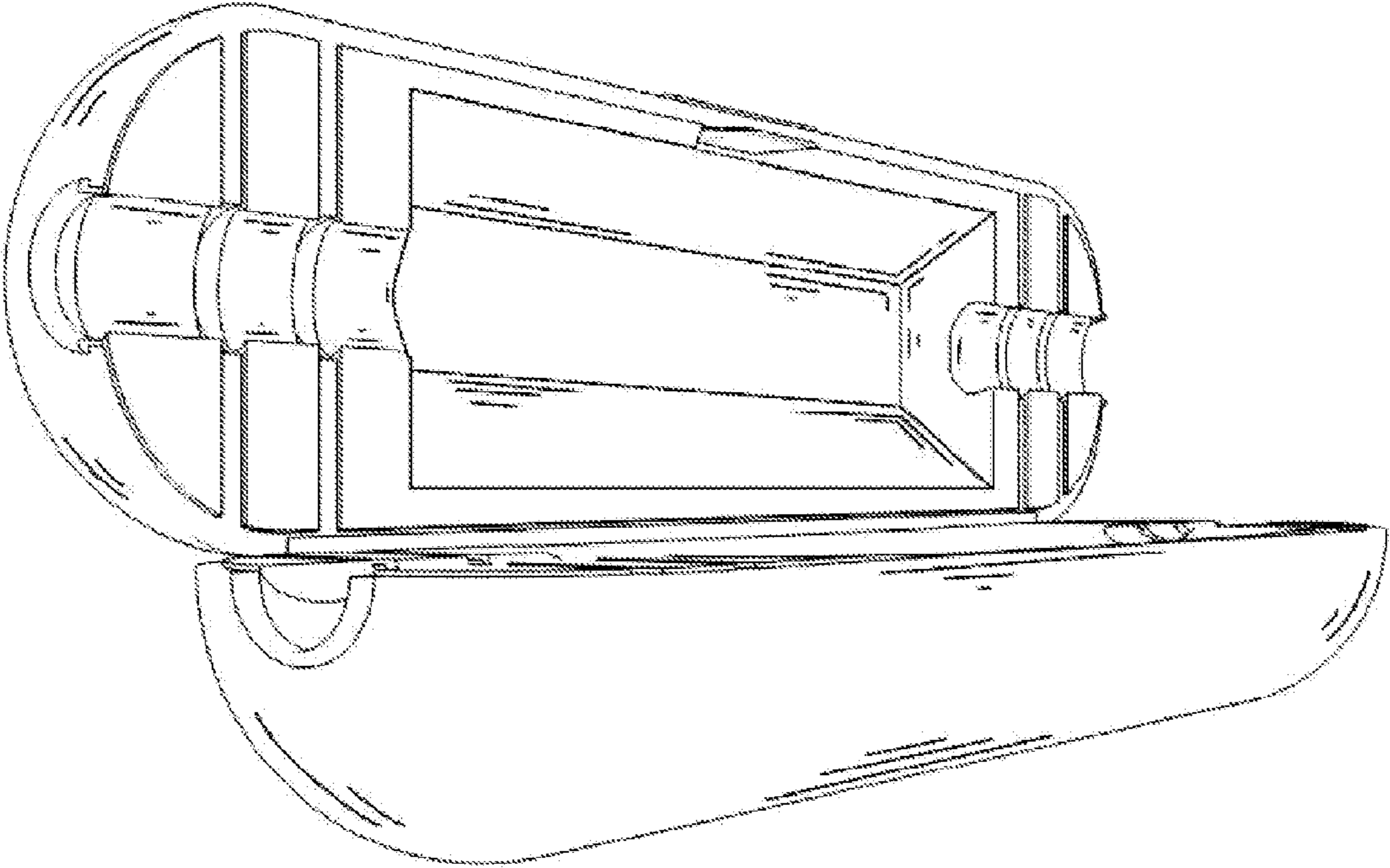


FIG. 2

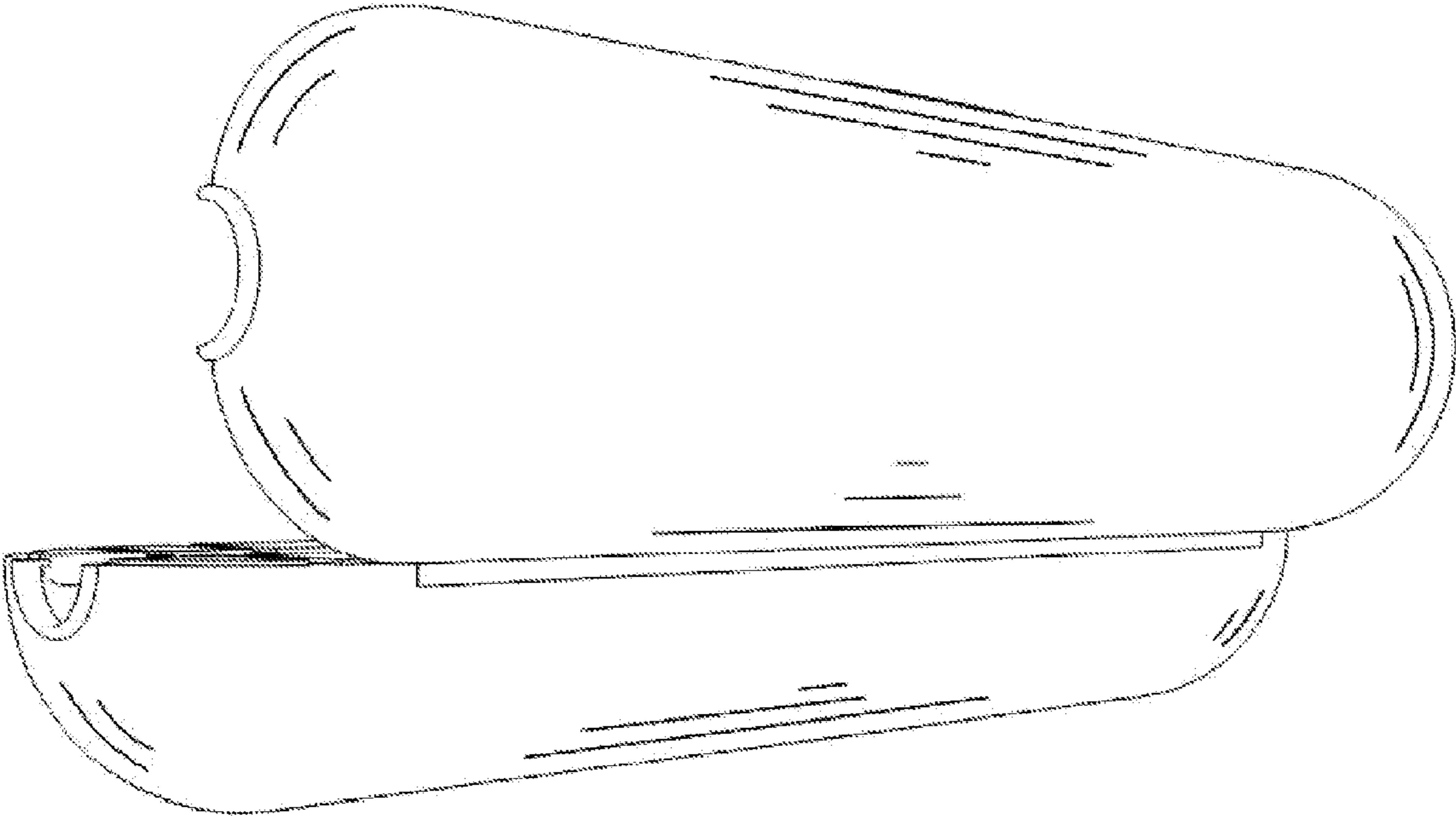


FIG. 3

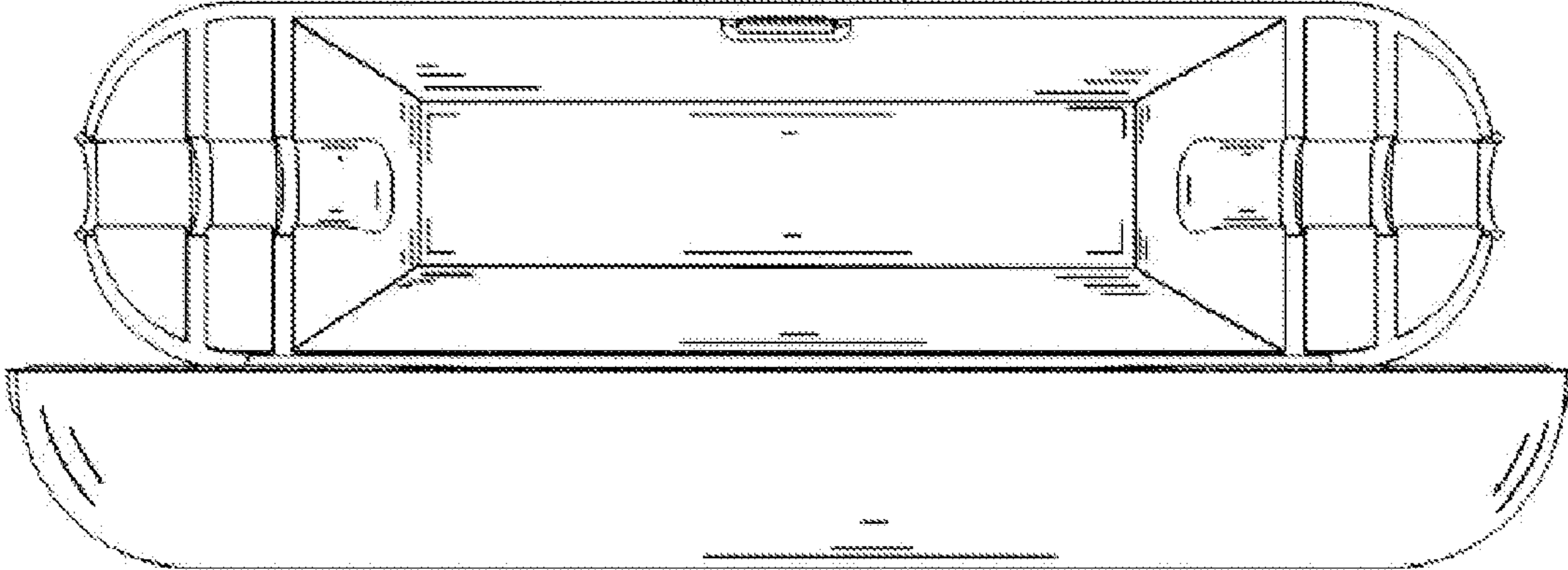


FIG. 4

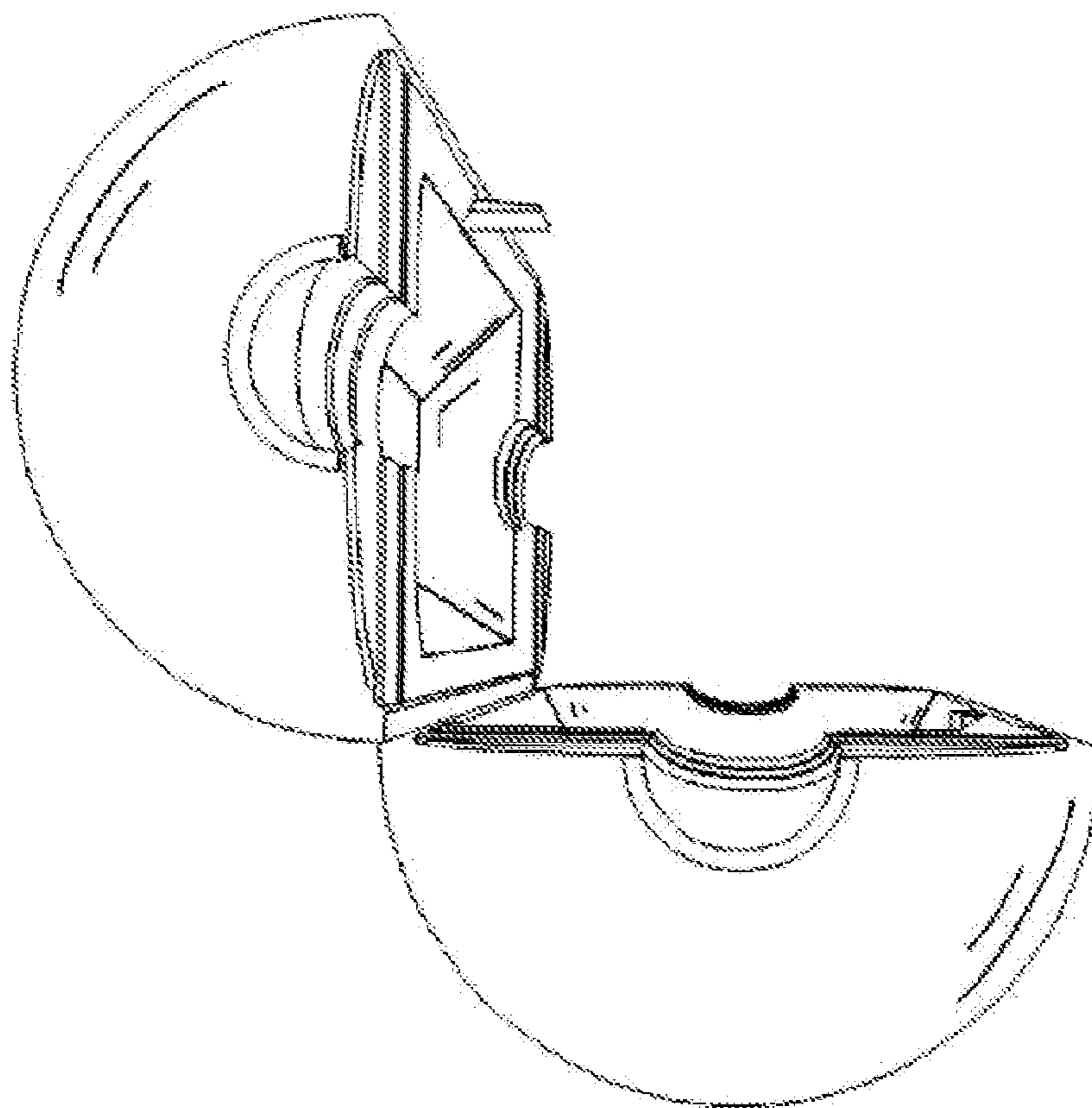


FIG. 5

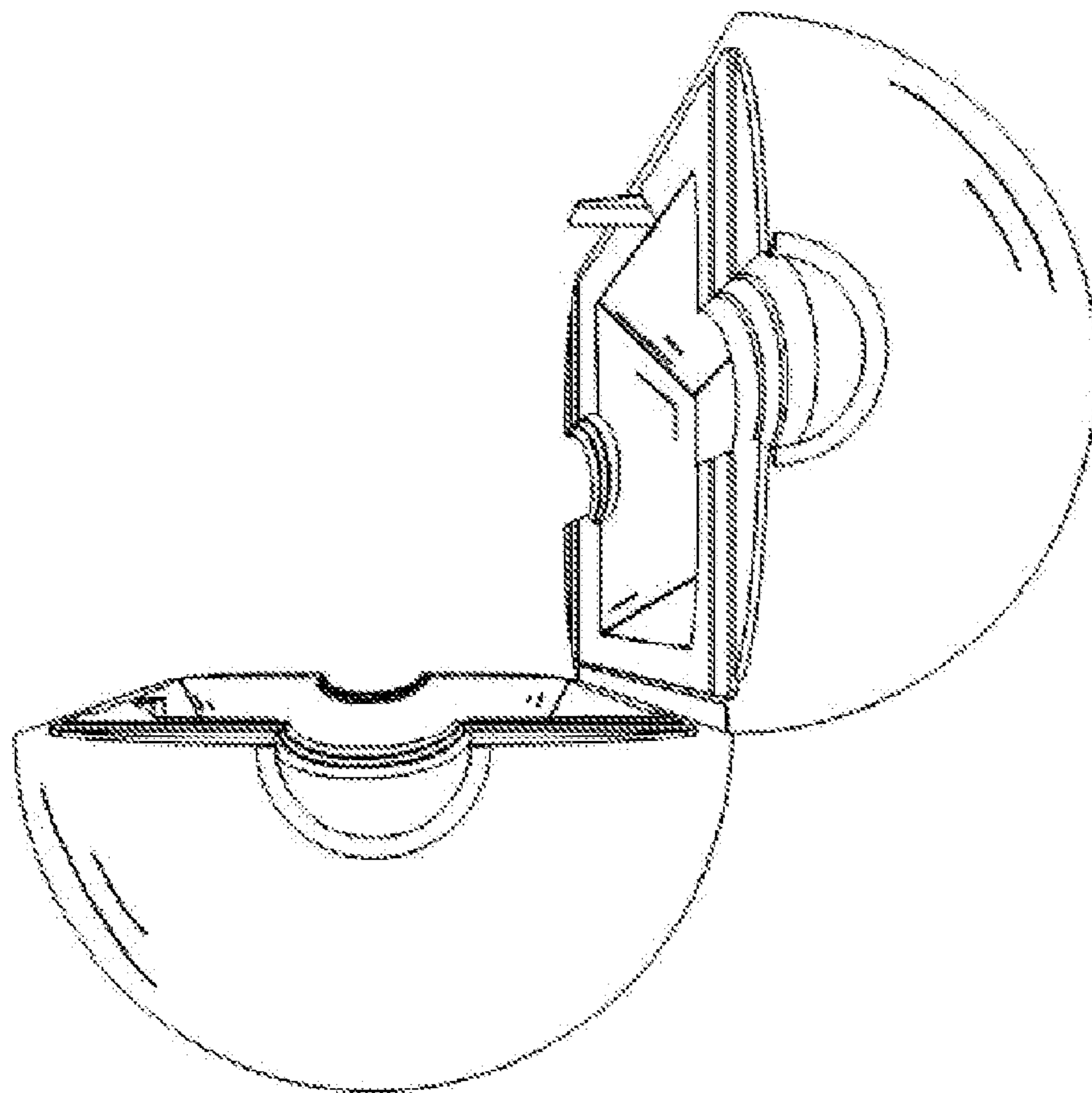


FIG. 6

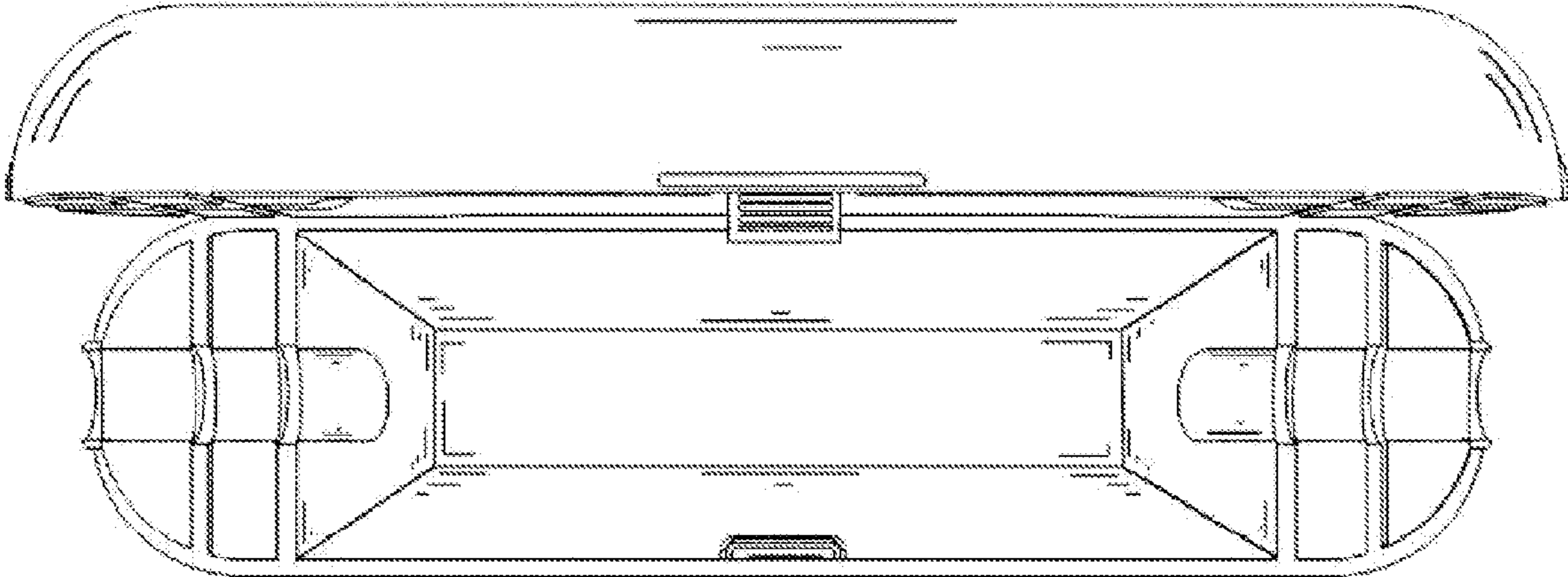


FIG. 7

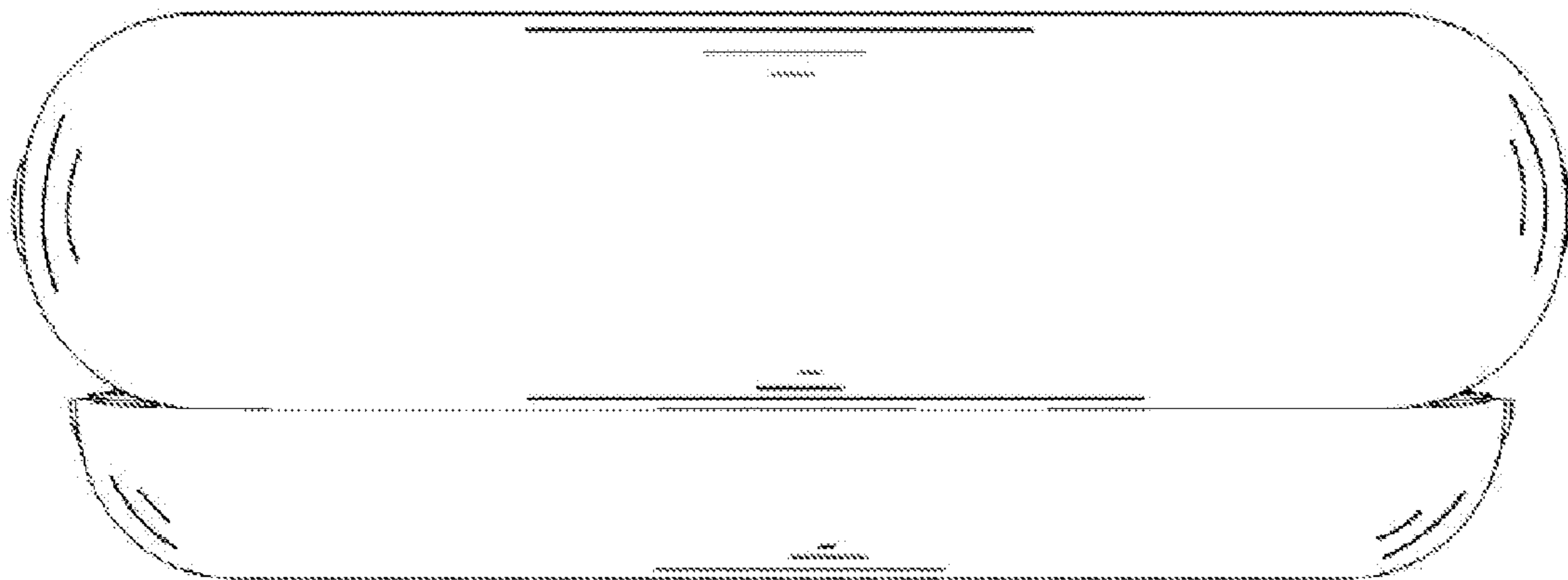


FIG. 8

