



US00D607411S

(12) **United States Design Patent**  
**Hirakawa**

(10) **Patent No.:** **US D607,411 S**  
(45) **Date of Patent:** **\*\* Jan. 5, 2010**

(54) **ELECTRICAL CONNECTOR**

JP D1260552 1/2006

(75) Inventor: **Takeshi Hirakawa**, Tokyo (JP)

\* cited by examiner

(73) Assignee: **I-PEX Co., Ltd.** (JP)

*Primary Examiner*—Daniel D Bui  
(74) *Attorney, Agent, or Firm*—Studebaker & Brackett PC;  
Donald R. Studebaker

(\*\*) Term: **14 Years**

(21) Appl. No.: **29/323,647**

(57) **CLAIM**

(22) Filed: **Aug. 28, 2008**

The ornamental design for an electrical connector, as shown and described.

(30) **Foreign Application Priority Data**

**DESCRIPTION**

Jul. 30, 2008 (JP) ..... 2008-19575

FIG. 1 is a top plan view of an electrical connector showing my new design;

(51) **LOC (9) Cl.** ..... **13-03**

FIG. 2 is a bottom plan view thereof;

(52) **U.S. Cl.** ..... **D13/147**

FIG. 3 is a front elevation view thereof;

(58) **Field of Classification Search** ..... D13/133,  
D13/146–147, 153, 154, 184; 439/260, 329,  
439/395, 422, 492–499

FIG. 4 is a rear elevation view thereof;

See application file for complete search history.

FIG. 5 is a right side view thereof, the left side view thereof is a mirror image thereto;

(56) **References Cited**

FIG. 6 is a front, top and left side perspective view thereof;

**U.S. PATENT DOCUMENTS**

FIG. 7 is a front, bottom and left side perspective view thereof; and,

D444,130 S \* 6/2001 Hayashi et al. .... D13/147

FIG. 8 is a rear, bottom and right side perspective view thereof, in use condition.

D456,779 S \* 5/2002 Igarashi ..... D13/147

D489,335 S \* 5/2004 Ko ..... D13/147

D524,750 S \* 7/2006 Hisamatsu ..... D13/147

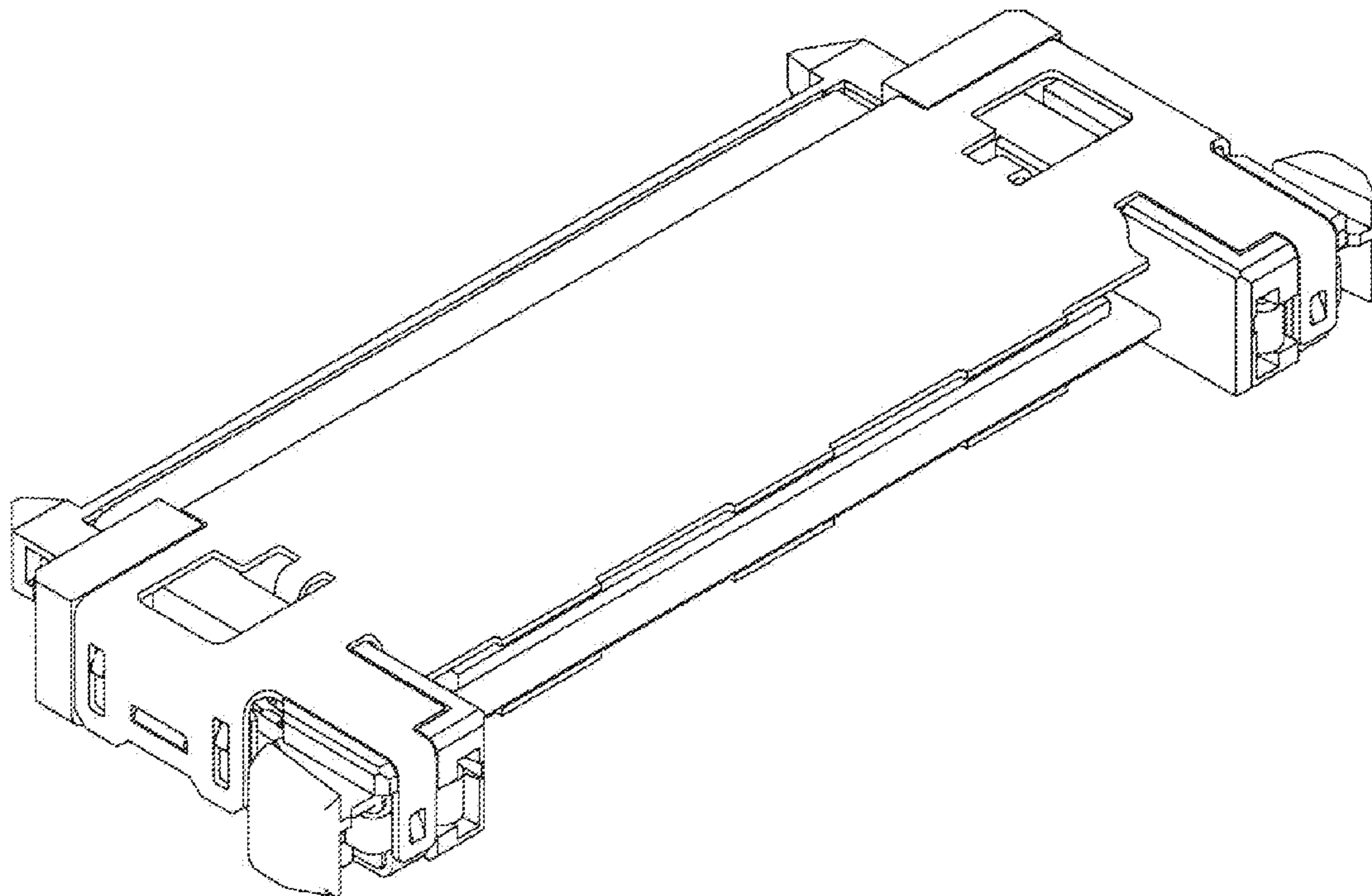
D541,750 S \* 5/2007 Yoshikai ..... D13/147

D552,553 S \* 10/2007 Lin et al. .... D13/147

**FOREIGN PATENT DOCUMENTS**

JP D12609802 6/2004

**1 Claim, 6 Drawing Sheets**



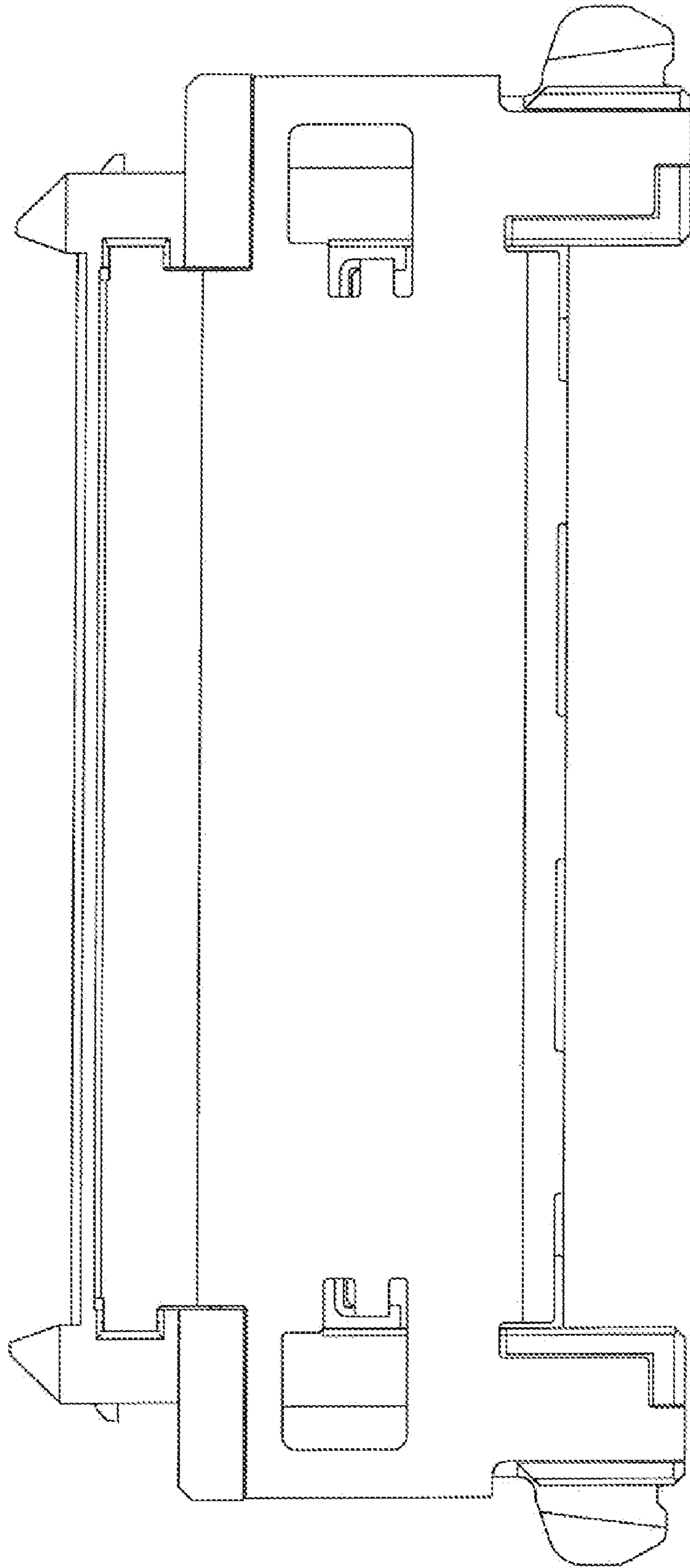


FIG. 1

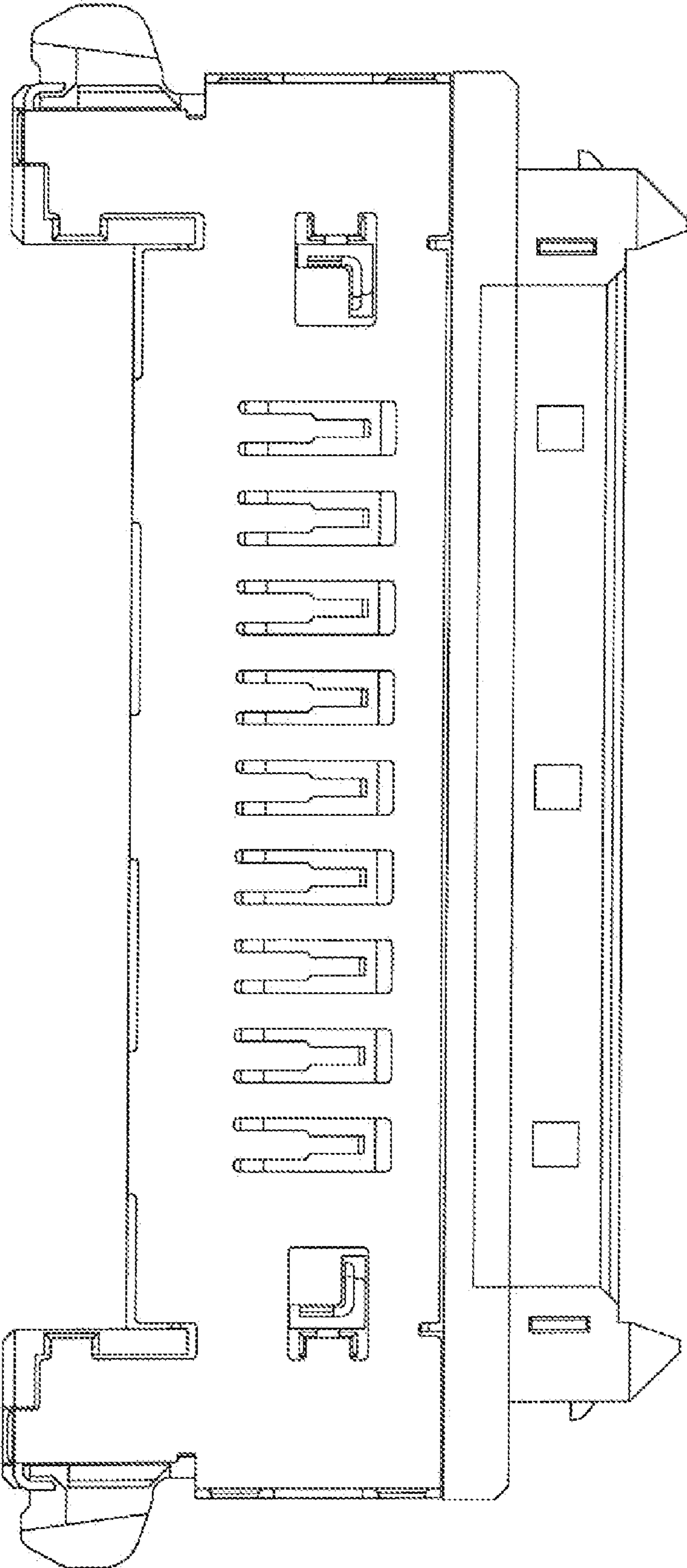


FIG. 2

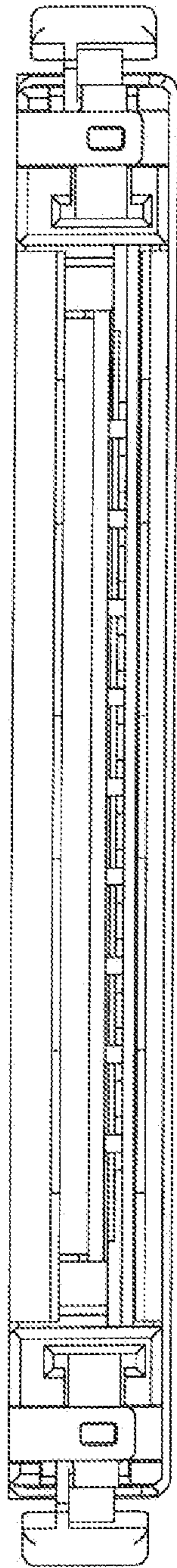


FIG. 3

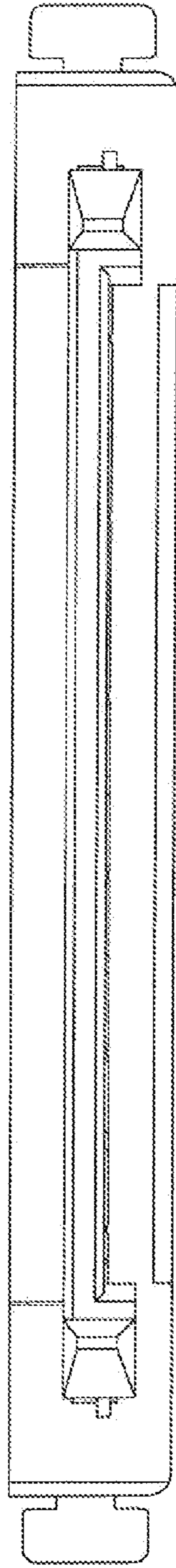


FIG. 4

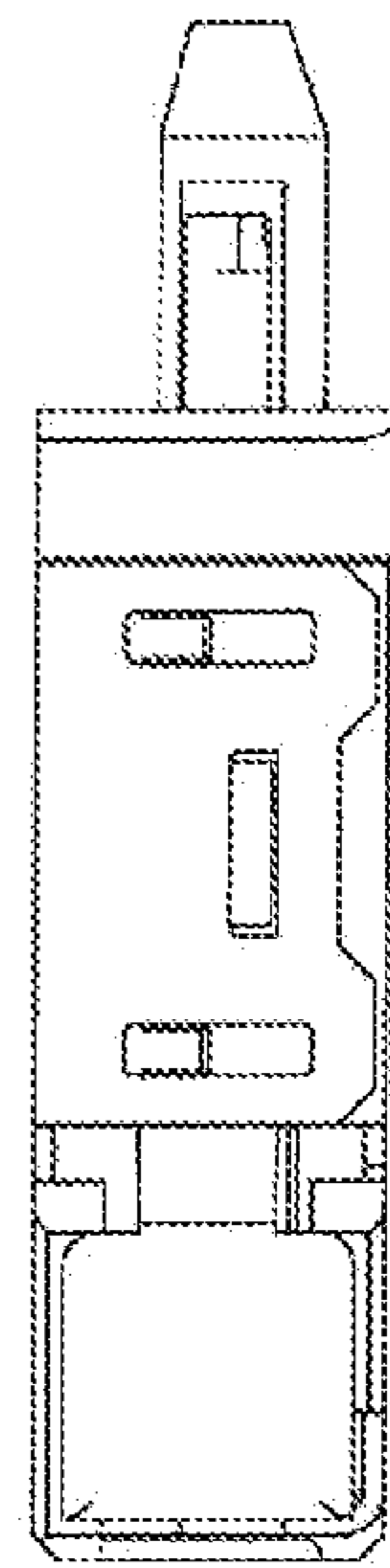


FIG. 5



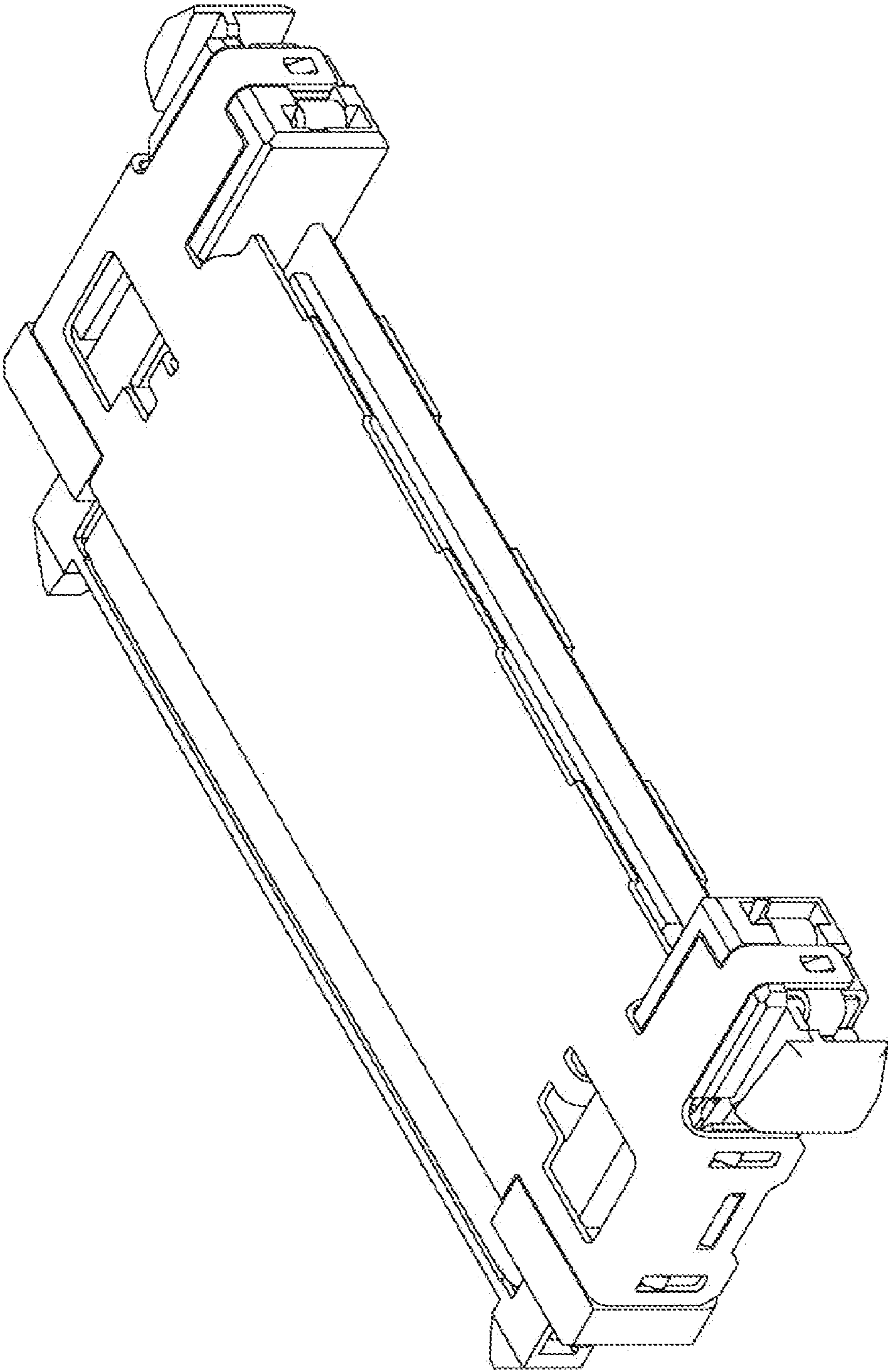


FIG. 6

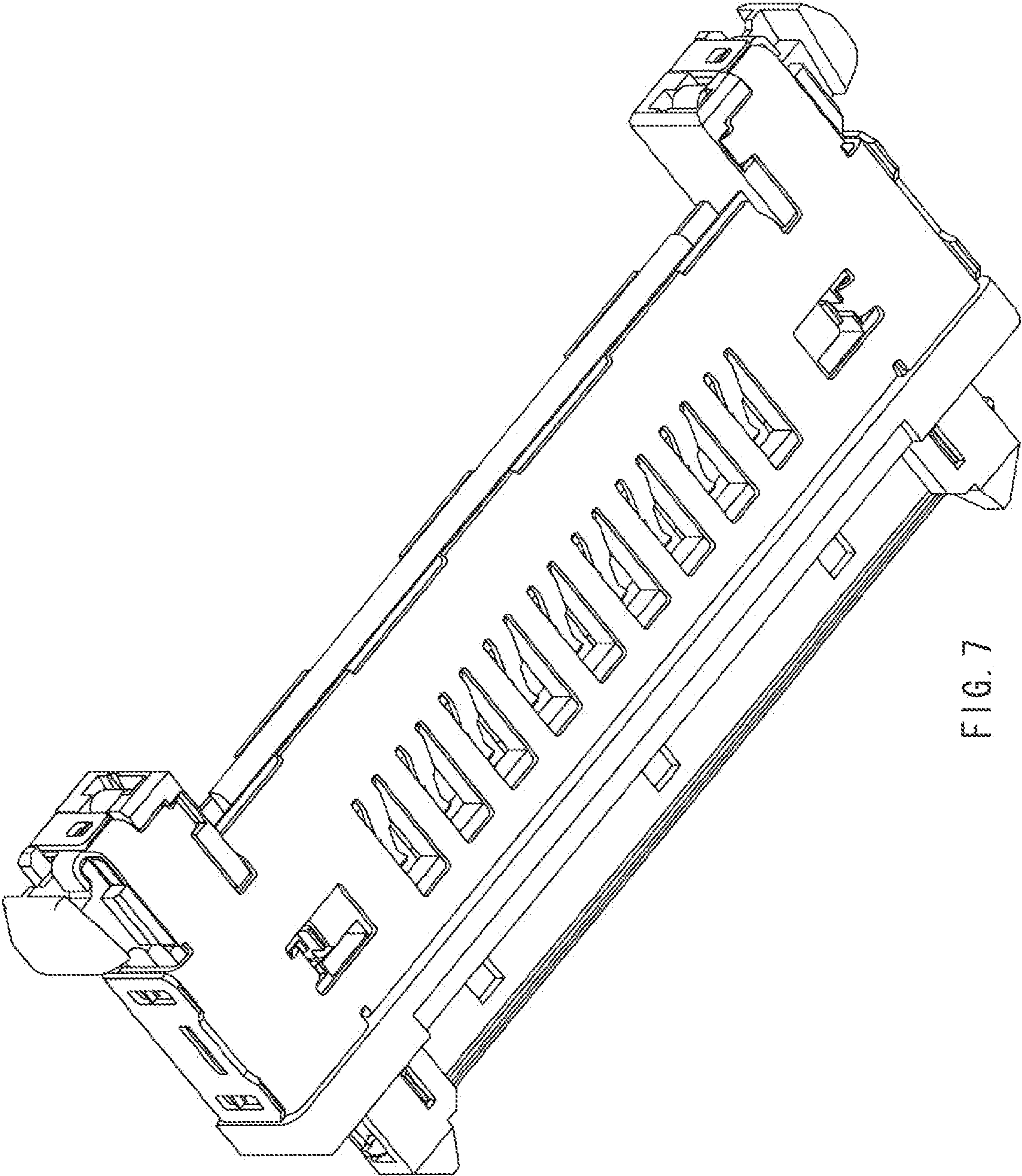


FIG. 7

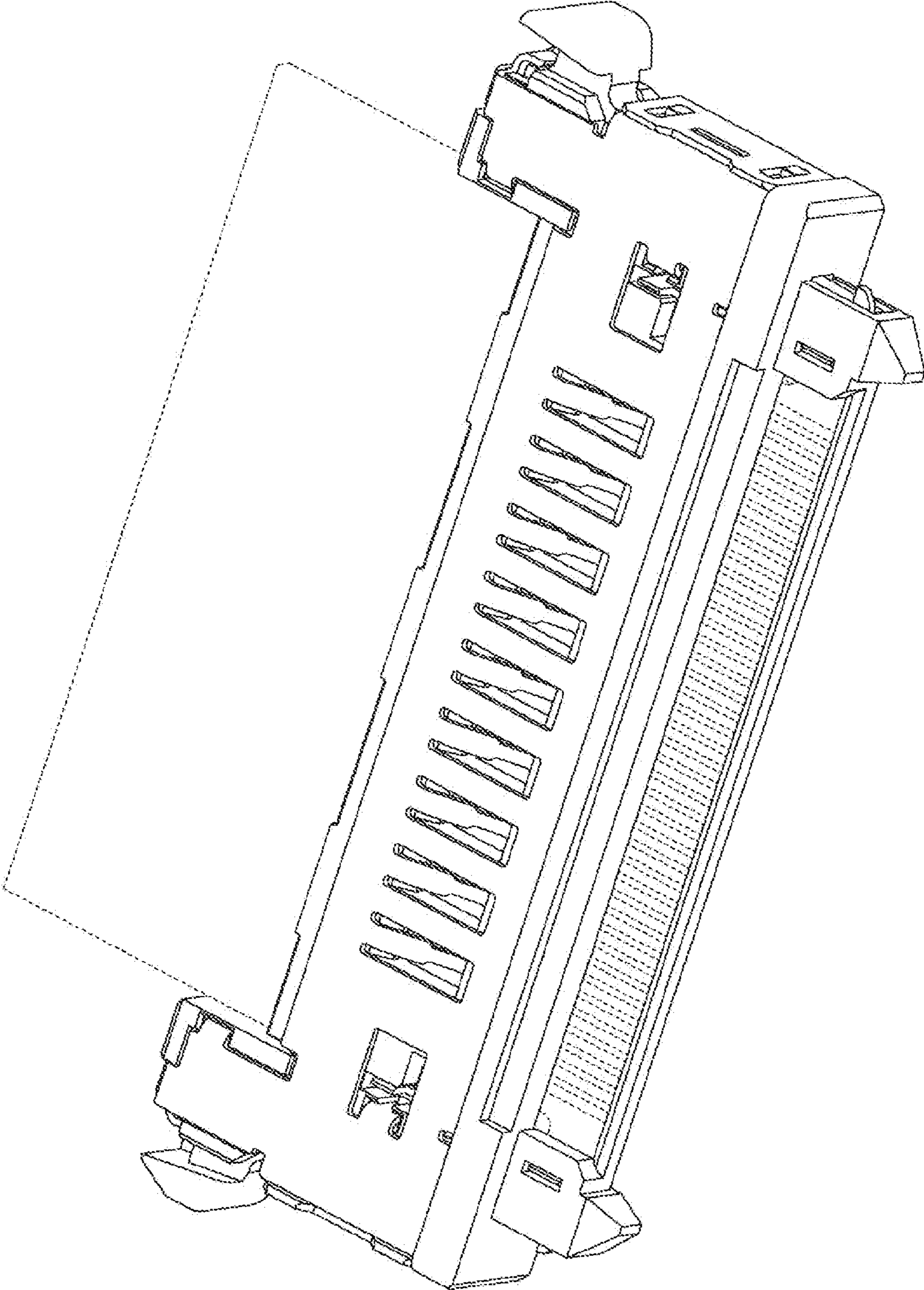


FIG. 8