



US00D607410S

(12) **United States Design Patent**  
**Ikari**

(10) **Patent No.:** **US D607,410 S**  
(45) **Date of Patent:** **\*\* Jan. 5, 2010**

(54) **ELECTRICAL CONNECTOR**

JP D1234526 2/2005

(75) Inventor: **Hiroharu Ikari**, Tokyo (JP)

\* cited by examiner

(73) Assignee: **I-PEX Co., Ltd.** (JP)

*Primary Examiner*—Daniel D Bui  
(74) *Attorney, Agent, or Firm*—Studebaker & Brackett PC;  
Donald R. Studebaker

(\*\*) Term: **14 Years**

(21) Appl. No.: **29/321,229**

(57) **CLAIM**

(22) Filed: **Jul. 14, 2008**

The ornamental design for an electrical connector, as shown and described.

(30) **Foreign Application Priority Data**

**DESCRIPTION**

Apr. 23, 2008 (JP) ..... 2008-10379

(51) **LOC (9) Cl.** ..... **13-03**

(52) **U.S. Cl.** ..... **D13/147**

(58) **Field of Classification Search** ..... D13/133,  
D13/146–147, 153, 154, 184; 439/260, 329,  
439/395, 422, 492–499

See application file for complete search history.

FIG. 1 is a top plan view of an electrical connector, showing my new design;  
FIG. 2 is a bottom plan view thereof;  
FIG. 3 is a front view thereof;  
FIG. 4 is a rear view thereof;  
FIG. 5 is a right side view thereof;  
FIG. 6 is a left side view thereof;  
FIG. 7 is a front, top and left side perspective view thereof;  
and,  
FIG. 8 is a front, top and left side perspective view thereof, in use condition.

(56) **References Cited**

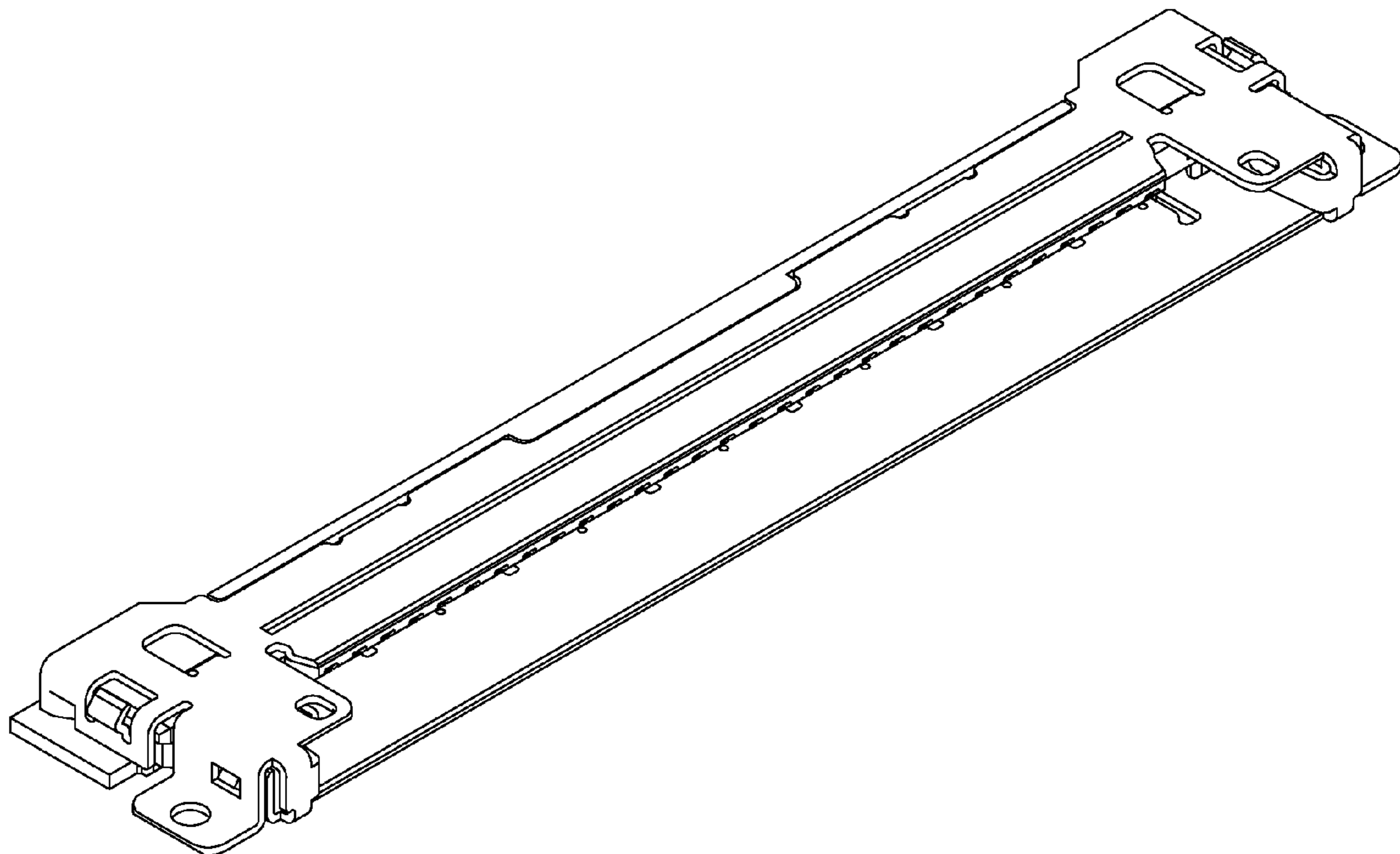
**U.S. PATENT DOCUMENTS**

D444,130 S \* 6/2001 Hayashi et al. .... D13/147  
D456,777 S \* 5/2002 Igarashi ..... D13/147  
D457,138 S \* 5/2002 Igarashi ..... D13/147  
D541,750 S \* 5/2007 Yoshikai ..... D13/147

**FOREIGN PATENT DOCUMENTS**

JP D1232430 1/2005

**1 Claim, 5 Drawing Sheets**



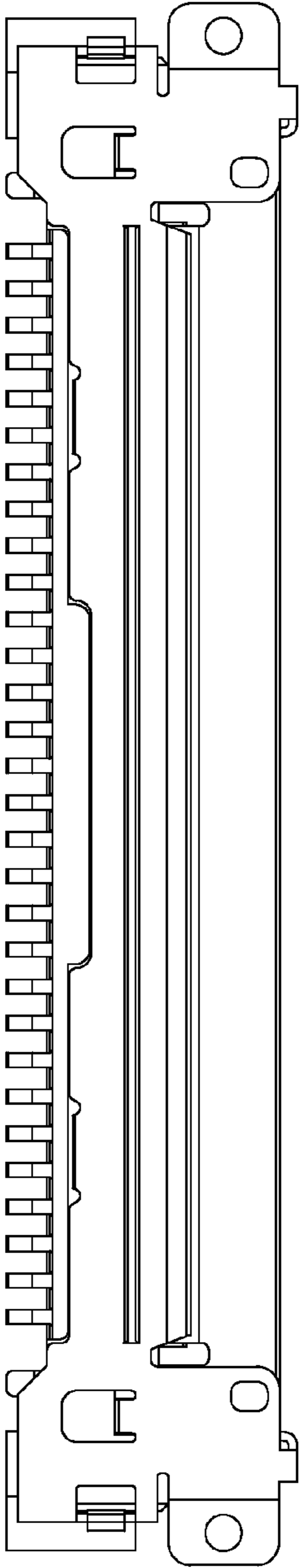


FIG. 1

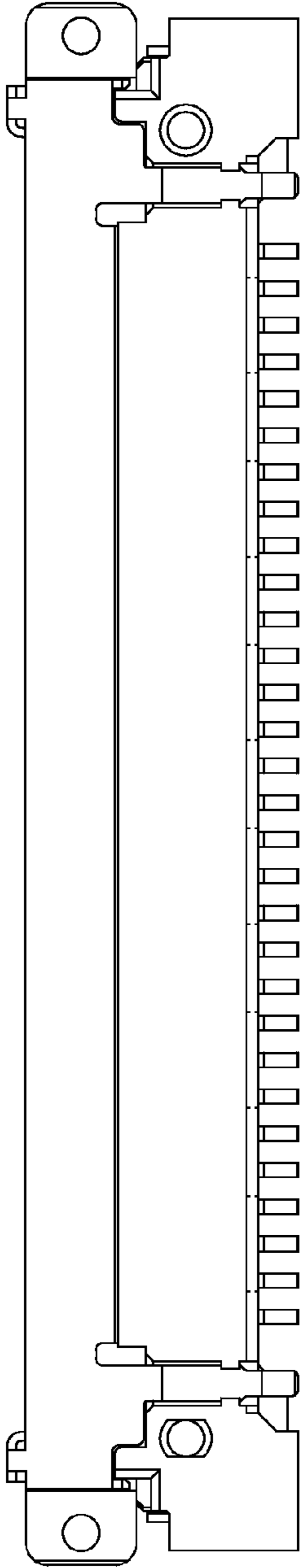


FIG. 2

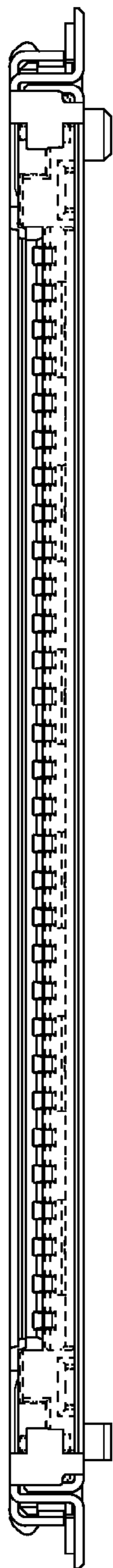


FIG. 3

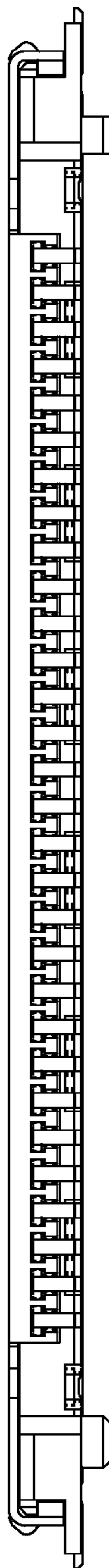


FIG. 4

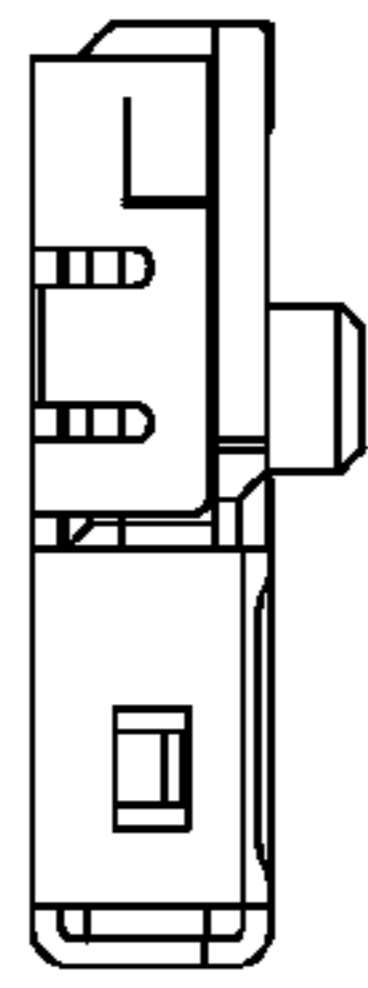


FIG. 5

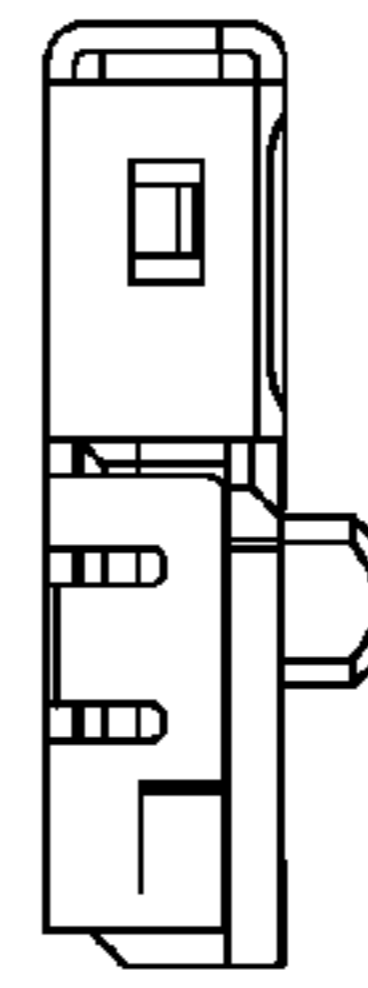


FIG. 6

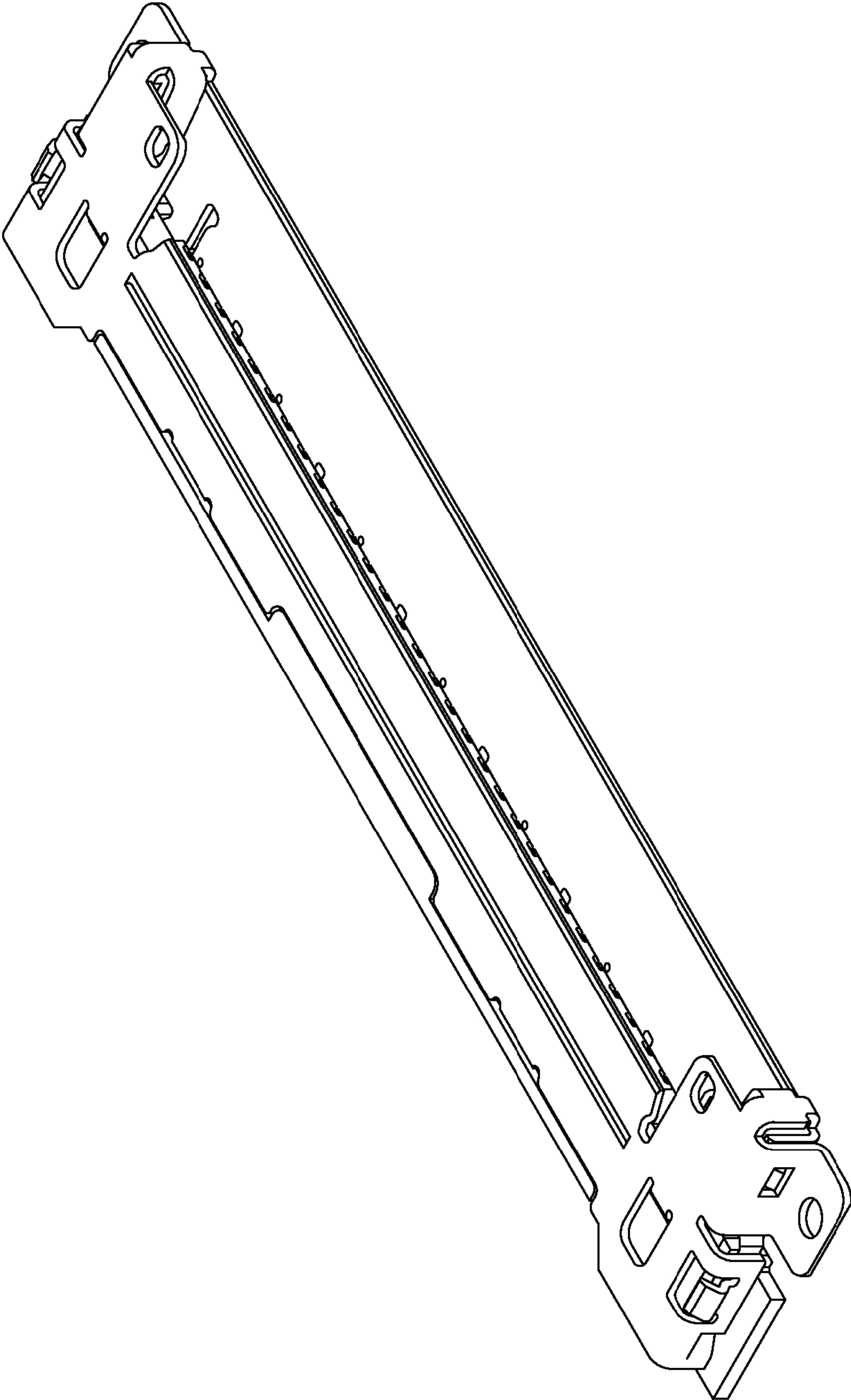


FIG. 7

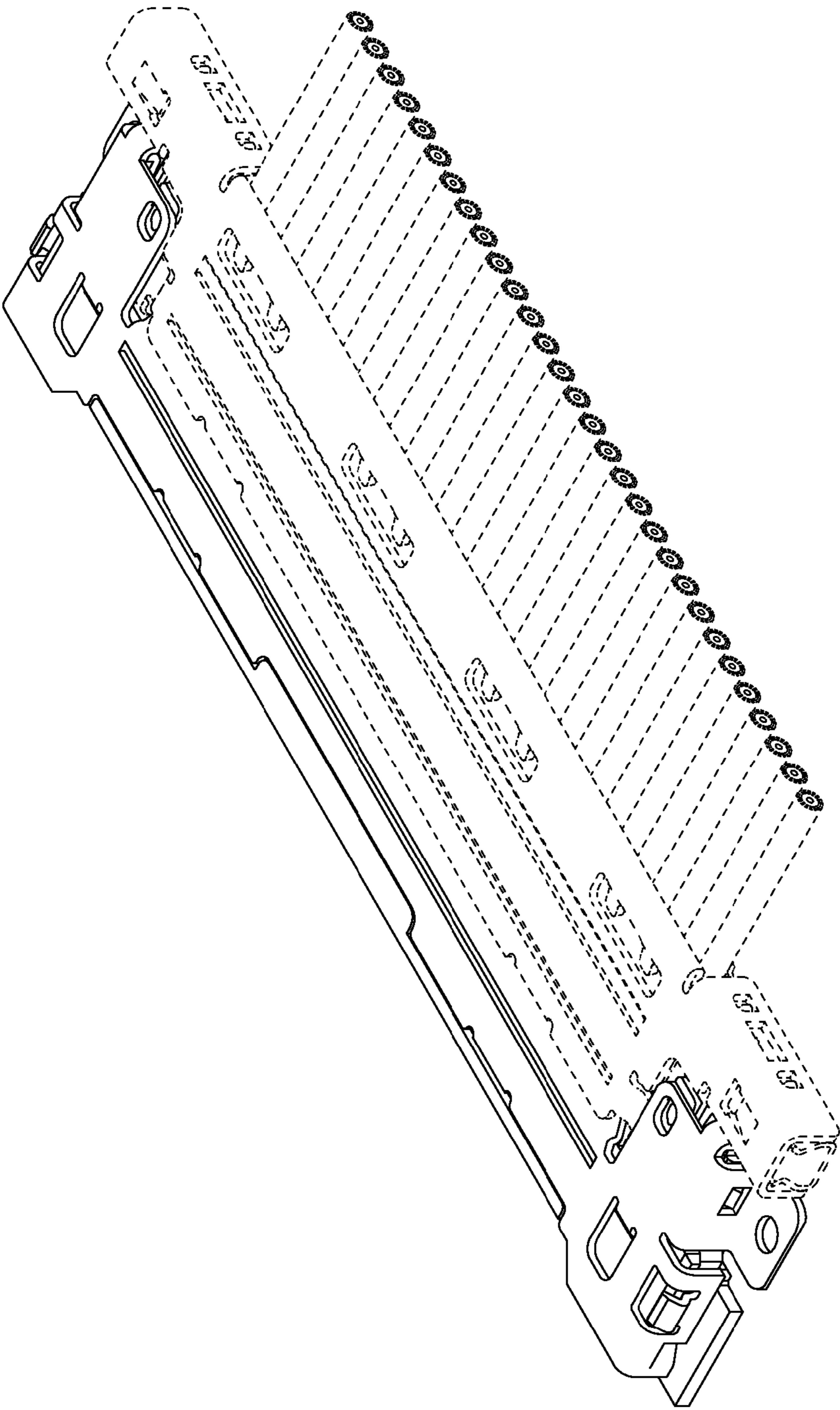


FIG. 8