



US00D607408S

(12) **United States Design Patent**
Masumoto et al.

(10) **Patent No.:** **US D607,408 S**
(45) **Date of Patent:** **** Jan. 5, 2010**

(54) **ELECTRICAL CONNECTOR**

D591,685 S * 5/2009 Hung et al. D13/147

(75) Inventors: **Toshio Masumoto**, Tokyo (JP); **Yukiko Sato**, Tokyo (JP)

FOREIGN PATENT DOCUMENTS

JP D 1357033 3/2009

(73) Assignee: **Japan Aviation Electronics Industry, Limited**, Tokyo (JP)

OTHER PUBLICATIONS

Japanese Office Action (w/Eng. translation) dated Aug. 17, 2009.

* cited by examiner

(**) Term: **14 Years**

Primary Examiner—Daniel D Bui

(21) Appl. No.: **29/314,811**

(74) *Attorney, Agent, or Firm*—Collard & Roe, P.C.

(22) Filed: **May 1, 2009**

(57) **CLAIM**

(30) **Foreign Application Priority Data**

The ornamental design for an electrical connector, as shown and described.

Dec. 3, 2008 (JP) 2008-030931

DESCRIPTION

(51) **LOC (9) Cl.** **13-03**

FIG. 1 is a front elevational view of an electrical connector showing our new design;

(52) **U.S. Cl.** **D13/147**

FIG. 2 is a rear elevational view thereof;

(58) **Field of Classification Search** D13/133,
D13/146, 147, 154, 184, 199; 439/79, 108,
439/278, 374, 377, 607-610, 660, 680, 682,
439/883, 891, 894

FIG. 3 is a left side elevational view thereof;

FIG. 4 is a right side elevational view thereof;

See application file for complete search history.

FIG. 5 is a top plan view thereof;

FIG. 6 is a bottom plan view thereof;

(56) **References Cited**

U.S. PATENT DOCUMENTS

D517,994 S * 3/2006 Zhang et al. D13/147

FIG. 7 is a cross-sectional view thereof, taken along lines "7-7" of FIG. 5;

D519,081 S * 4/2006 Katoh D13/147

FIG. 8 is a front, top and right side perspective view thereof; and,

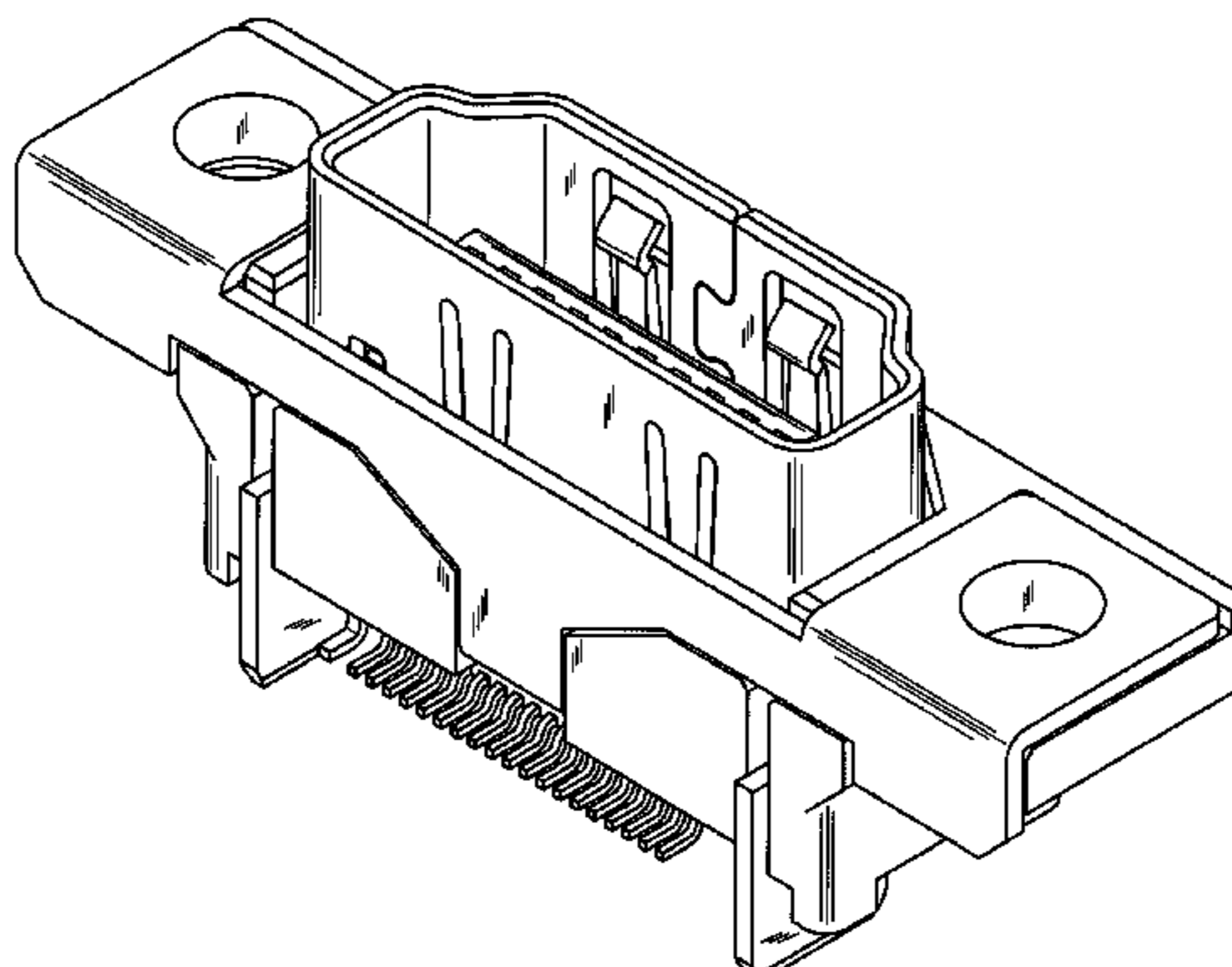
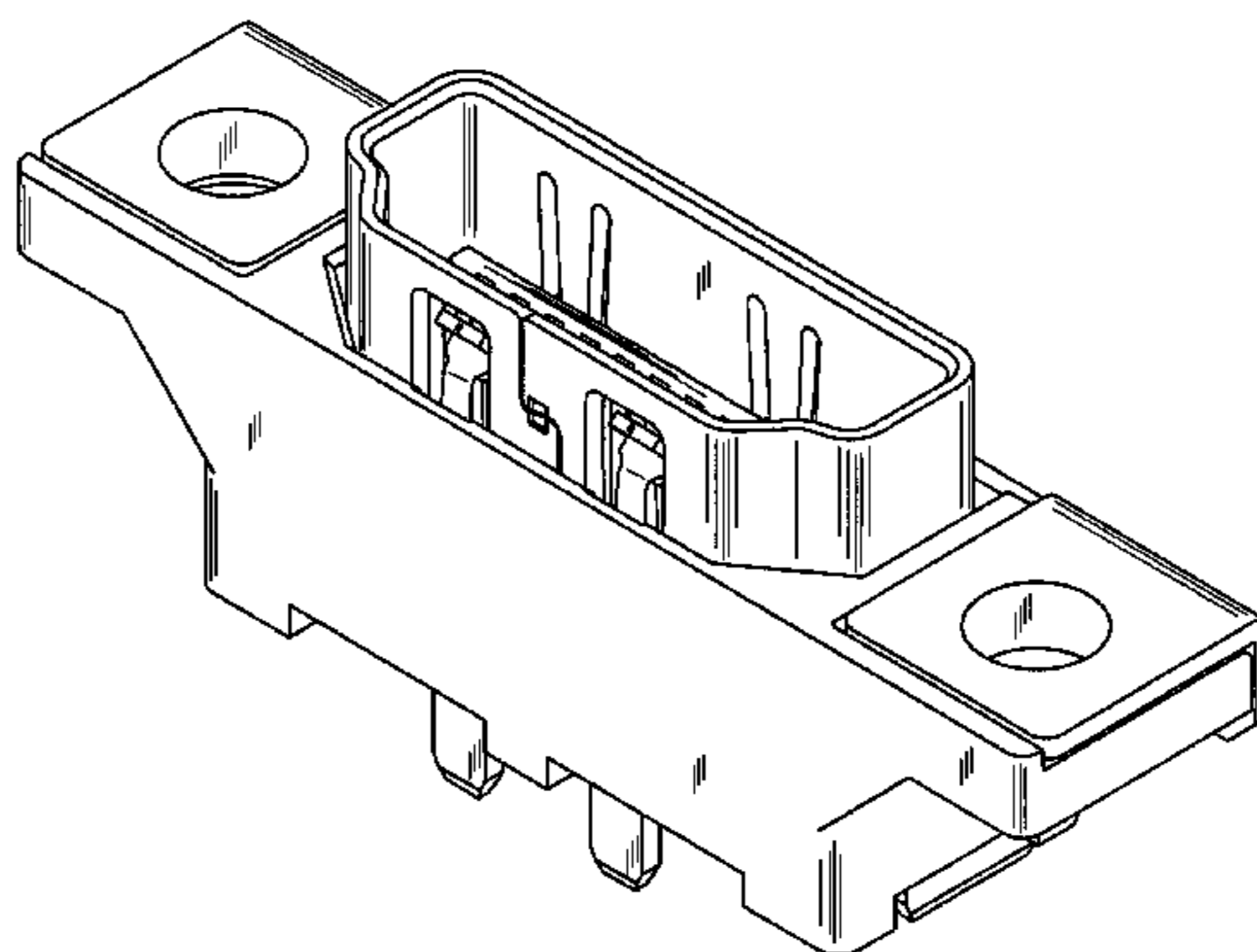
D539,744 S * 4/2007 Hu et al. D13/147

FIG. 9 is a rear, top and left side perspective view thereof.

D559,191 S * 1/2008 Arai et al. D13/147

D559,192 S * 1/2008 Arai et al. D13/147

1 Claim, 9 Drawing Sheets



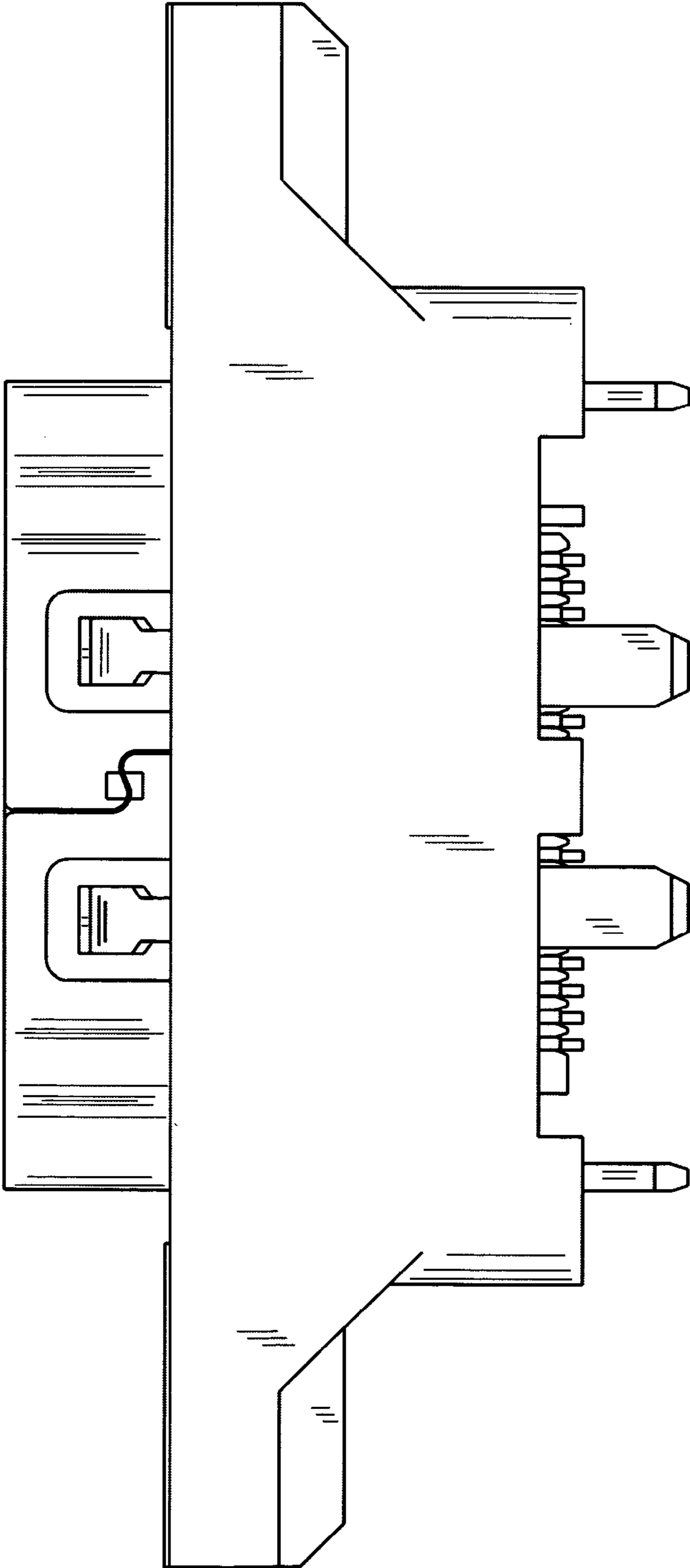


FIG. 1

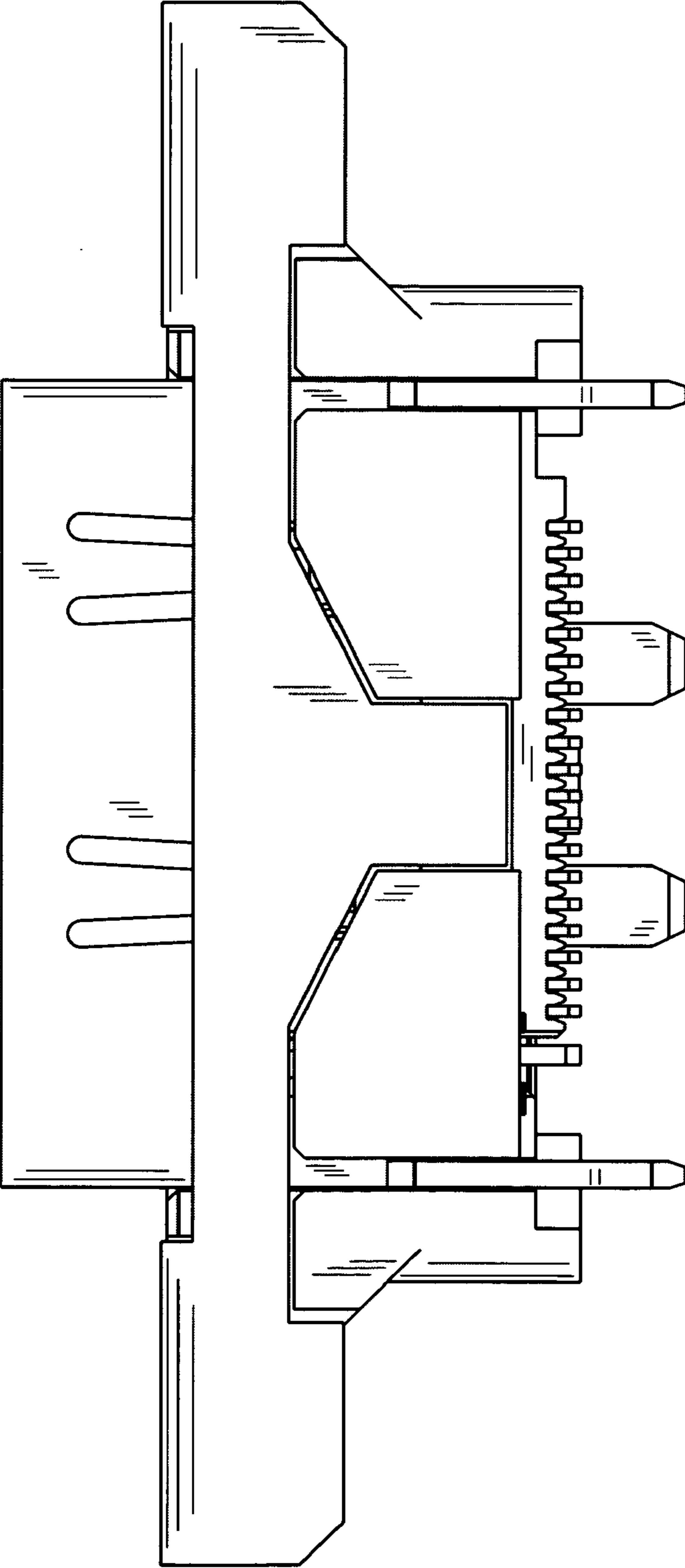


FIG. 2

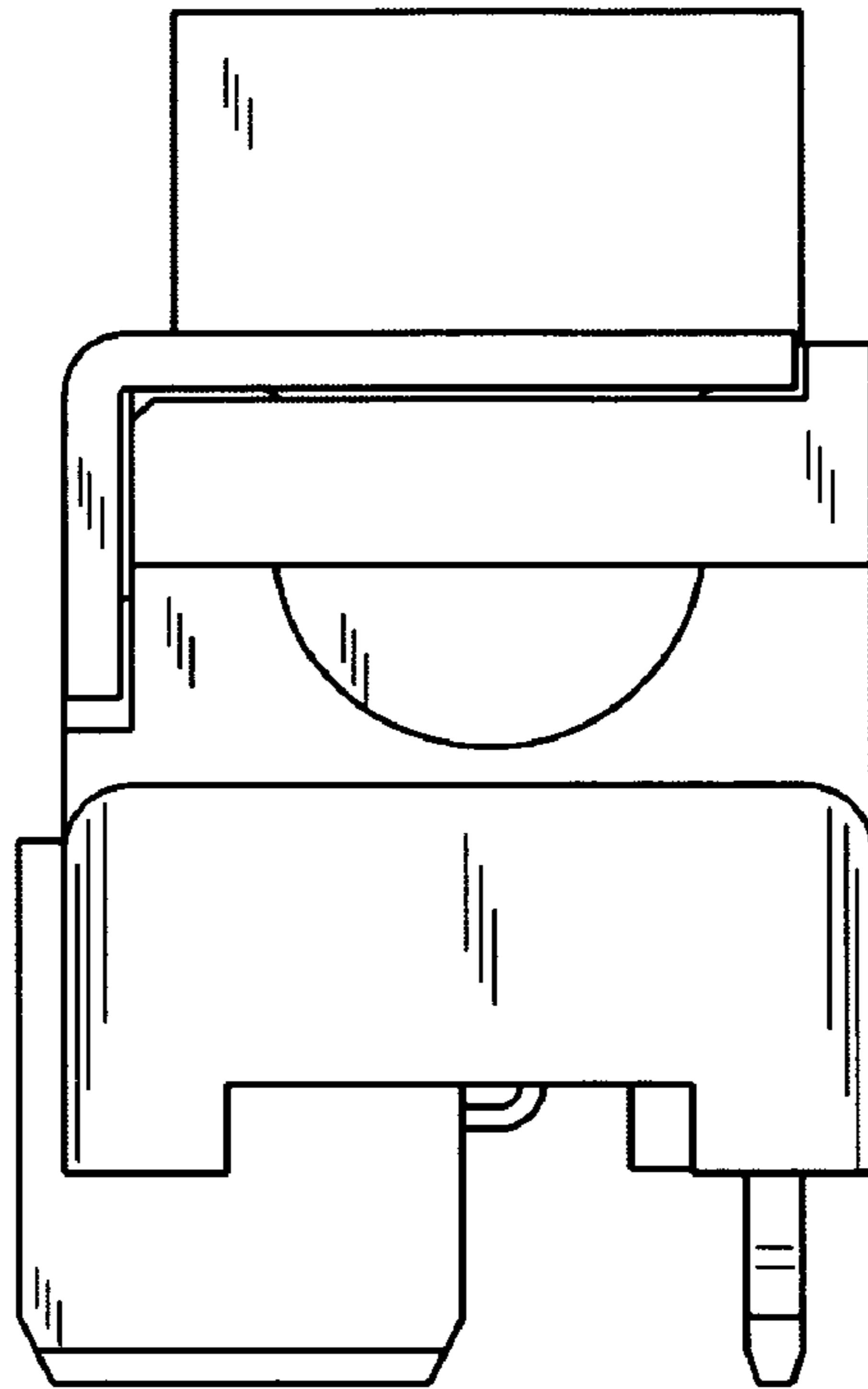


FIG. 3

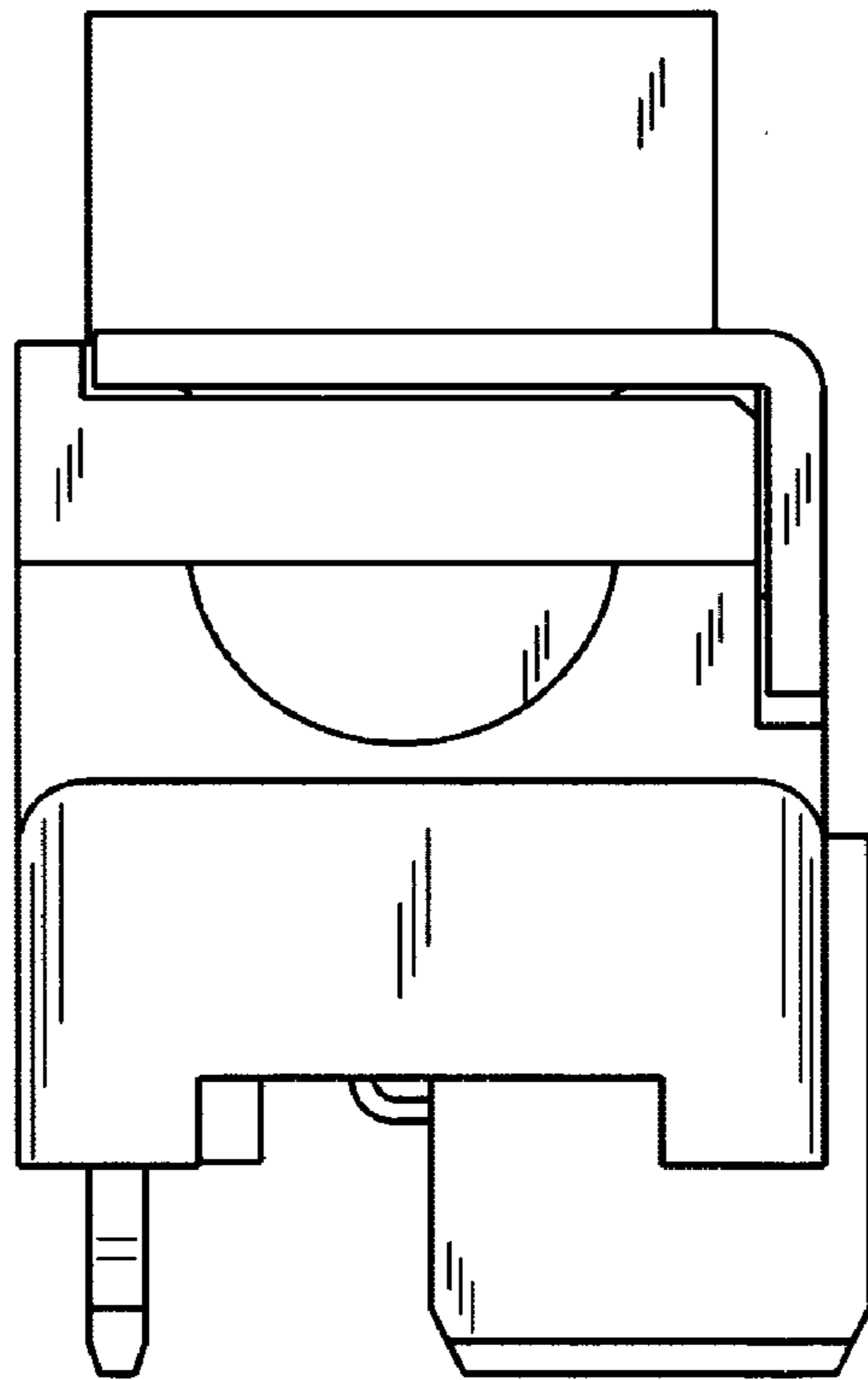


FIG. 4

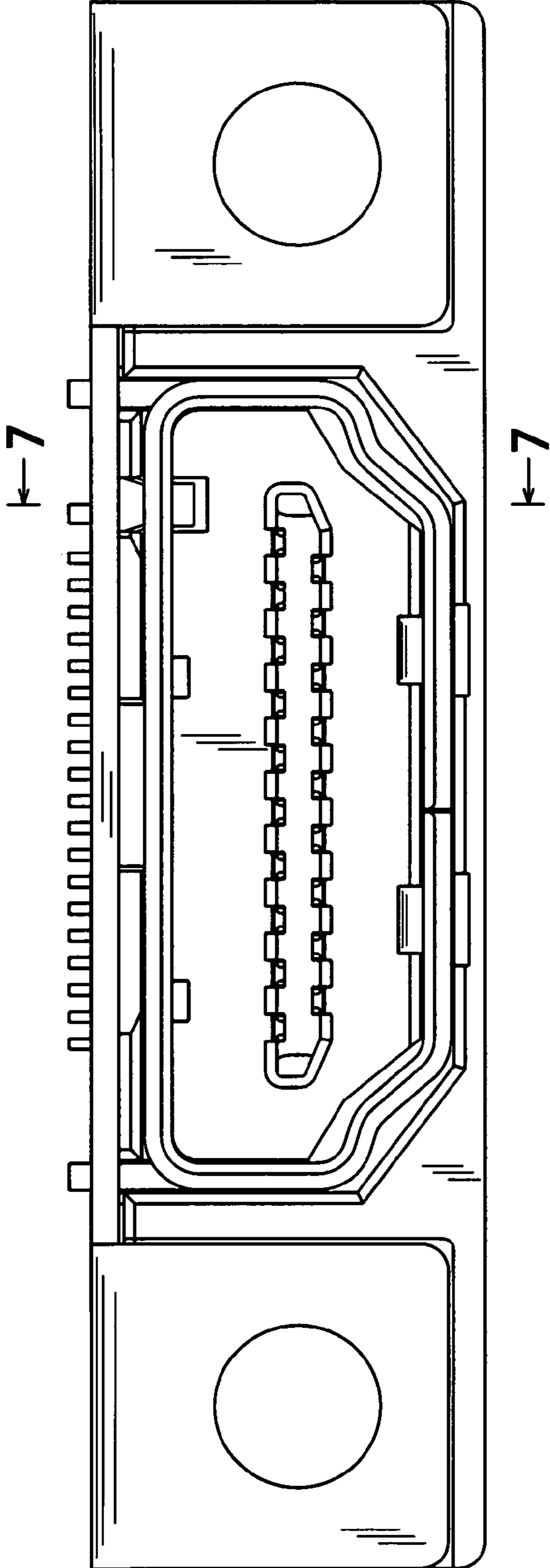


FIG. 5

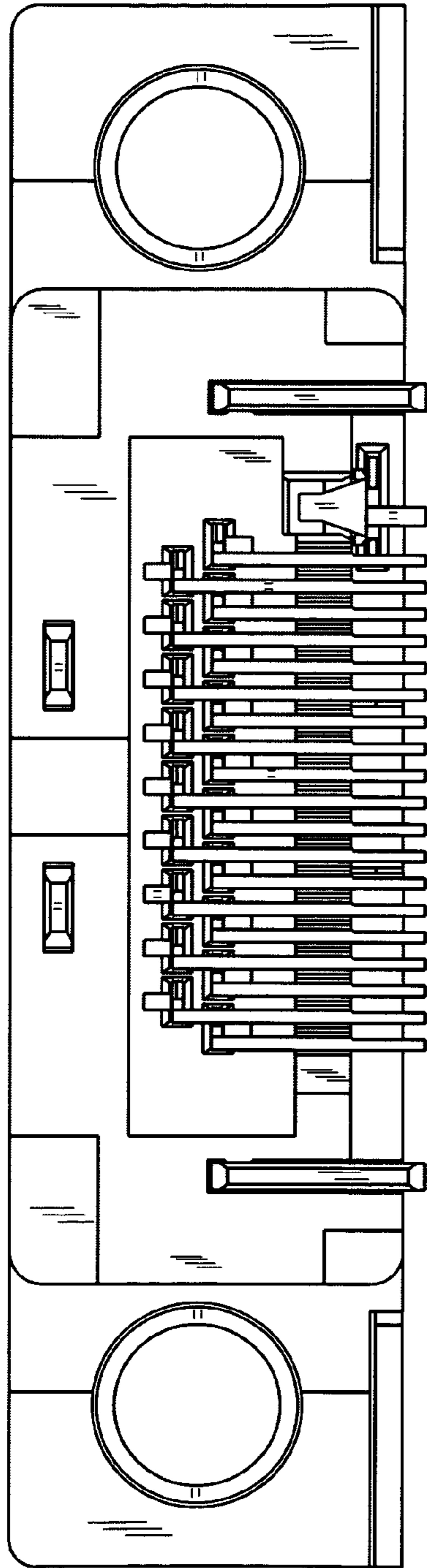


FIG. 6

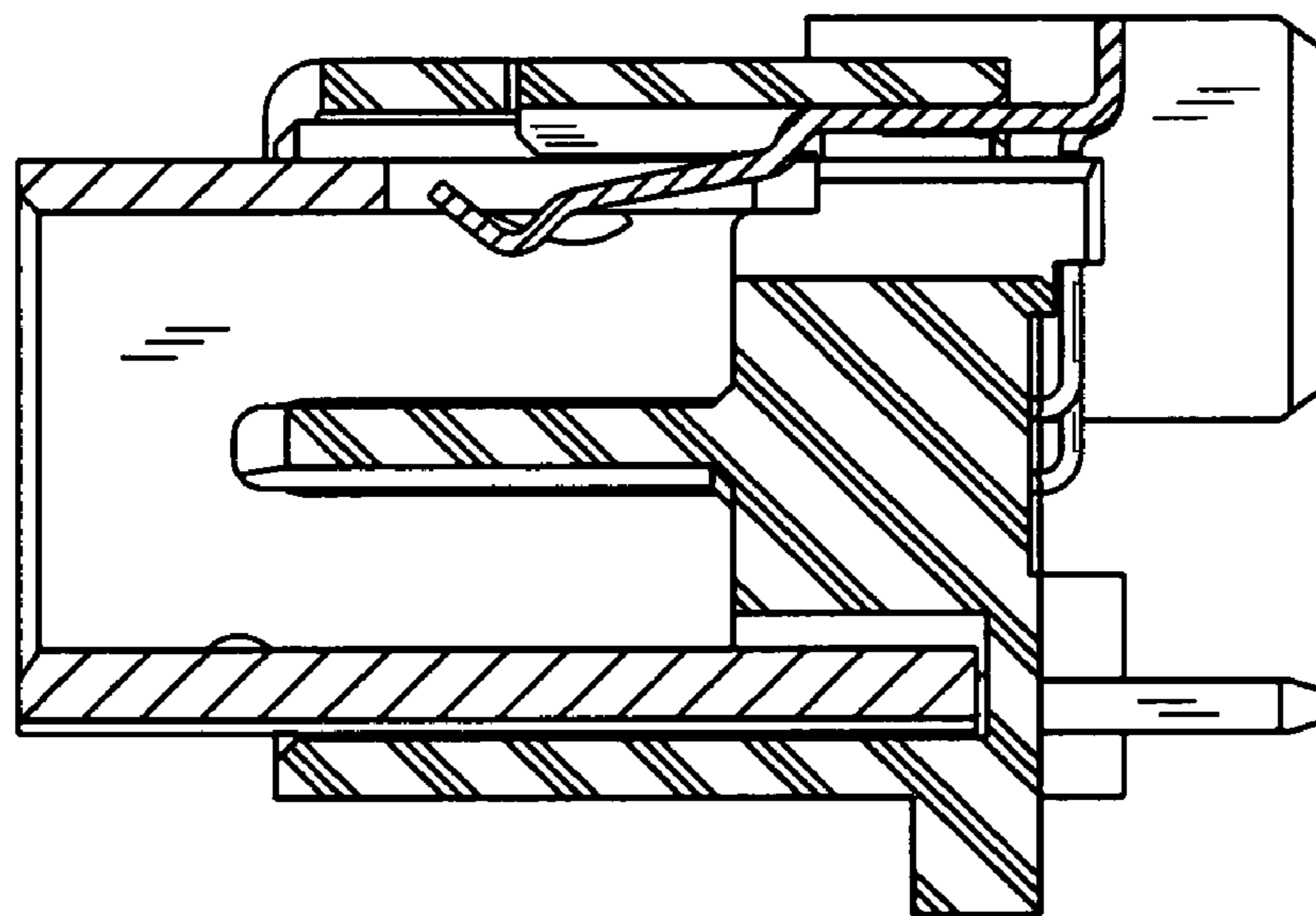


FIG. 7

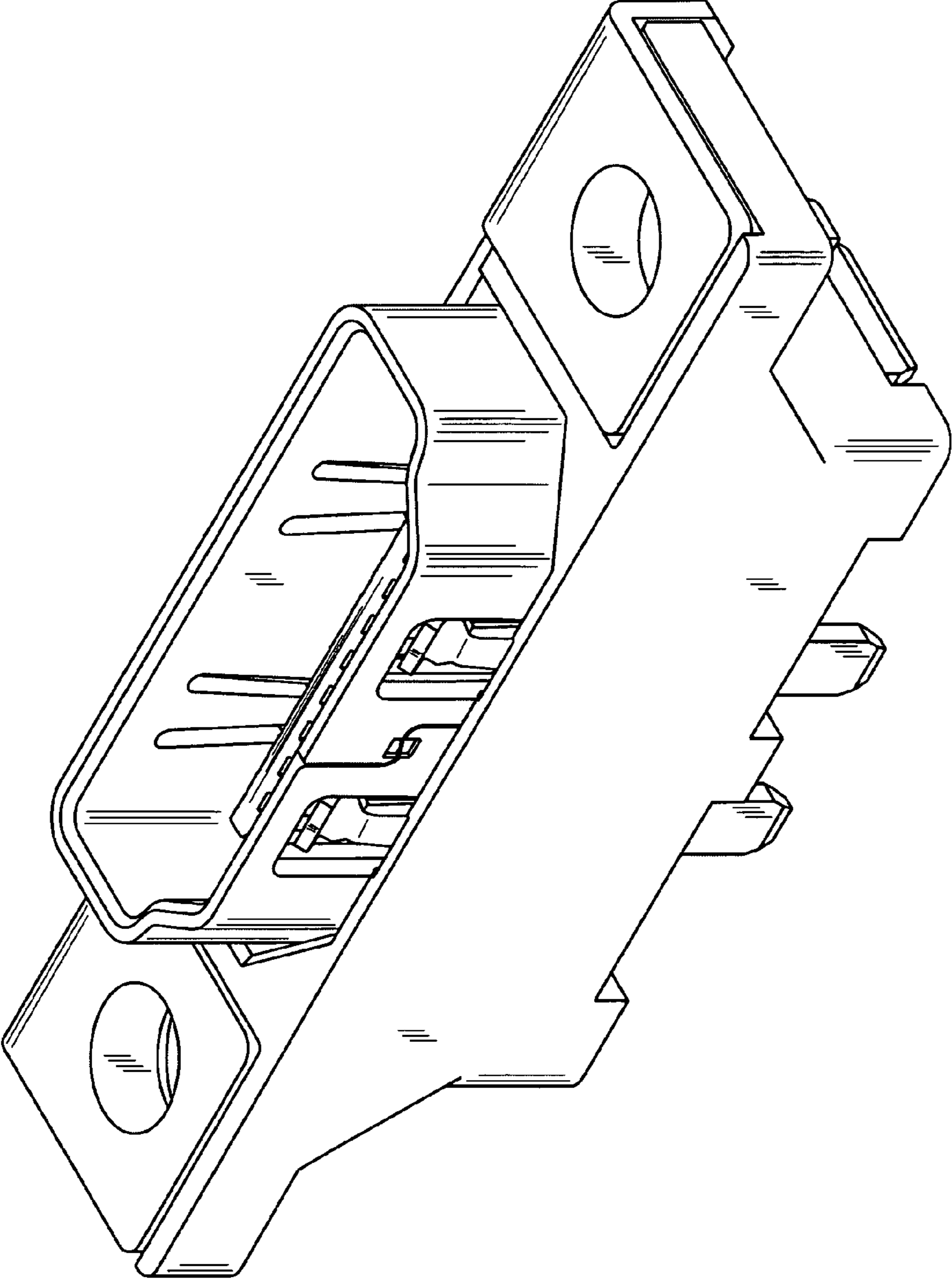


FIG. 8

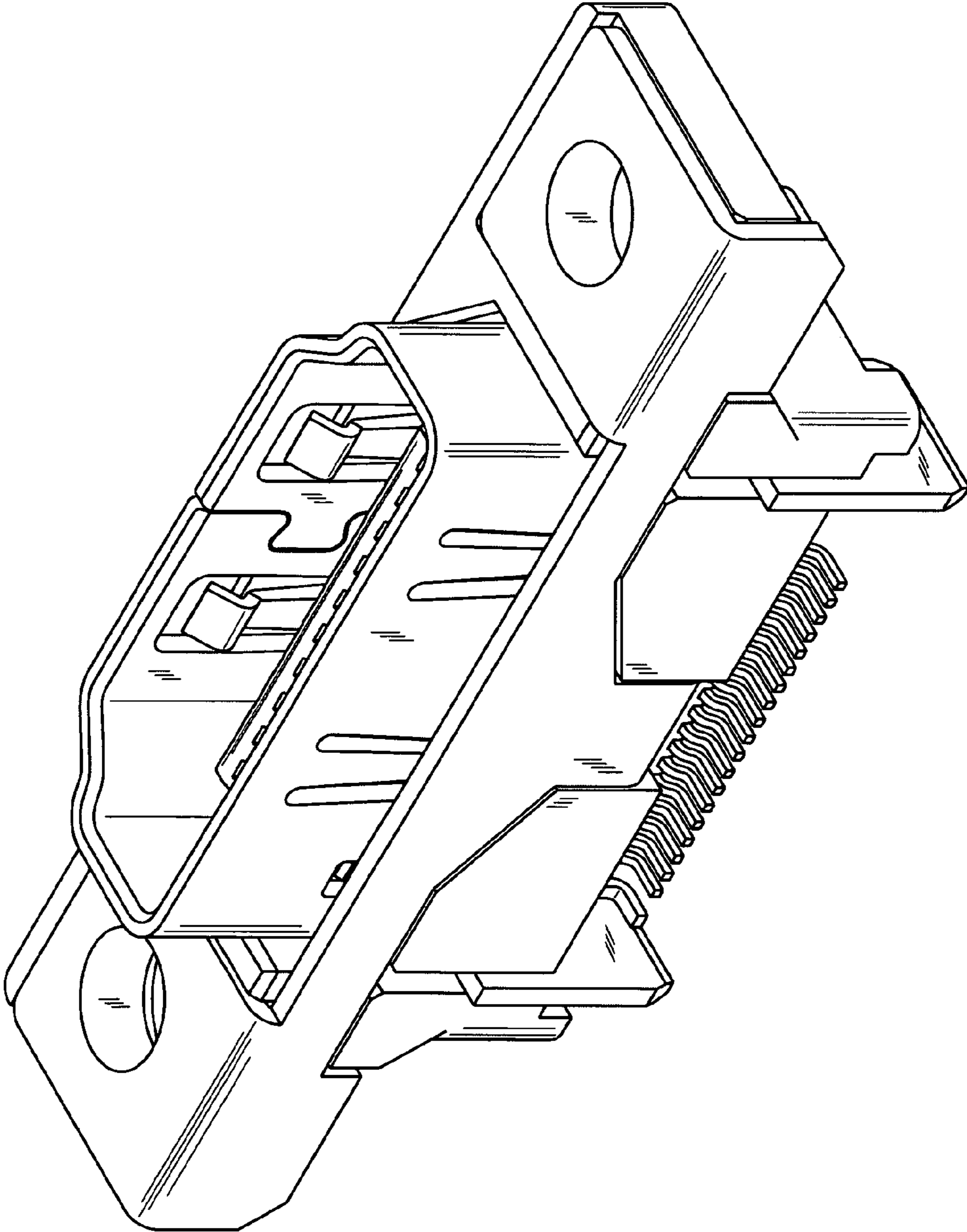


FIG. 9