

US00D607405S

(12) **United States Design Patent**
Mack

(10) **Patent No.:** **US D607,405 S**
(45) **Date of Patent:** **** Jan. 5, 2010**

(54) **BATTERY**
(75) Inventor: **Robert J. Mack**, Milwaukee, WI (US)
(73) Assignee: **Johnson Controls Technology Company**, Holland, MI (US)
(**) Term: **14 Years**
(21) Appl. No.: **29/302,069**
(22) Filed: **Jan. 9, 2008**

6,025,086 A 2/2000 Ching
6,174,618 B1 * 1/2001 Nishiyama et al. 429/99
D450,653 S 11/2001 Hertel et al.
6,399,238 B1 * 6/2002 Oweis et al. 429/99
D466,478 S 12/2002 Bolstad et al.
D491,138 S 6/2004 Minato
D495,994 S * 9/2004 Arakelian D13/119
D499,070 S * 11/2004 Lavington D13/119
D517,479 S * 3/2006 Schemm D13/119
D517,987 S * 3/2006 Castagnola et al. D13/119
D517,988 S * 3/2006 Ihde et al. D13/119

(51) **LOC (9) Cl.** **13-02**
(52) **U.S. Cl.** **D13/119; D13/103**
(58) **Field of Classification Search** D13/102–106,
D13/110, 118–119, 184; 429/96–100, 163,
429/176

See application file for complete search history.

(56) **References Cited**

U.S. PATENT DOCUMENTS

D239,837 S * 5/1976 Hennen D13/119
3,963,972 A * 6/1976 Todd 320/112
D252,354 S * 7/1979 Uyeda D3/302
4,346,151 A * 8/1982 Uba et al. 429/54
4,510,215 A * 4/1985 Adam 429/99
D298,029 S 10/1988 Foster
D303,373 S 9/1989 Ching, Jr.
D304,926 S 12/1989 Ching, Jr.
D304,927 S 12/1989 Ching, Jr. et al.
D307,133 S 4/1990 Ching, Jr.
D307,886 S 5/1990 Ching, Jr. et al.
D318,025 S * 7/1991 Moritaka D10/129
D327,051 S * 6/1992 Schwartz D13/118
5,283,137 A 2/1994 Ching
5,415,956 A 5/1995 Ching
D372,701 S * 8/1996 Tahmassebpur D13/103
5,599,641 A 2/1997 Ching, Jr. et al.
5,763,116 A * 6/1998 Lapinski et al. 429/99
5,856,037 A 1/1999 Casale et al.
5,871,862 A 2/1999 Olson
D406,258 S * 3/1999 Segers D13/103
5,977,746 A * 11/1999 Hershberger et al. 320/112
5,998,062 A 12/1999 Olson
6,023,146 A 2/2000 Casale et al.

(Continued)

OTHER PUBLICATIONS

Photographs of “old” Optima battery with a date stamp of Week 47, 1990.

(Continued)

Primary Examiner—Rosemary K Tarcza
(74) *Attorney, Agent, or Firm*—Lathrop & Clark LLP

(57) **CLAIM**

The ornamental design for a battery, as shown and described.

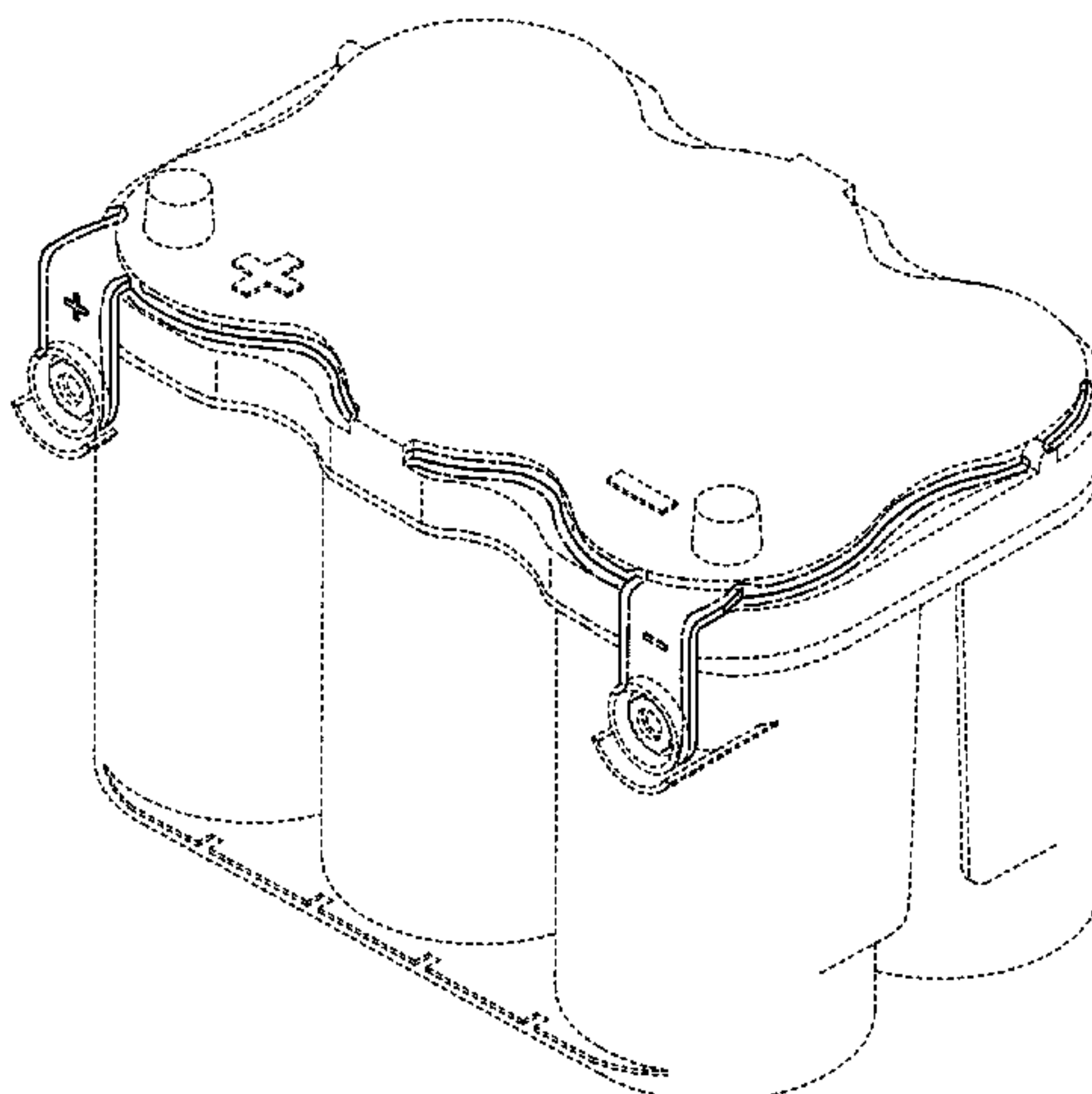
DESCRIPTION

FIG. 1 is a top perspective view of a battery according to an exemplary embodiment;
FIG. 2 is a top plan view thereof;
FIG. 3 is a first side elevation view thereof;
FIG. 4 is a second side elevation view thereof;
FIG. 5 is a first end elevation view thereof; and,
FIG. 6 is a second end elevation view thereof.

The broken lines shown in FIGS. 1–6 are for illustrative purposes only, and form no part of the claimed design.

The long dash-short dash lines shown in the Figures are for the purpose of illustrating the boundaries of the claimed design and form no part of the claimed design. The bottom view forms no part of the claimed design.

1 Claim, 6 Drawing Sheets



U.S. PATENT DOCUMENTS

D528,502 S * 9/2006 Fleetwood D13/103
D531,117 S * 10/2006 Schrick et al. D13/103
D559,778 S * 1/2008 Tsuzuki et al. D13/110
D562,229 S * 2/2008 Peters D13/103
D562,765 S * 2/2008 Tsuzuki et al. D13/110
7,332,243 B2 2/2008 Cummins et al.
2003/0059676 A1 * 3/2003 Ruiz Rodriguez et al. ... 429/164
2004/0170888 A1 * 9/2004 Cummins et al. 429/99
2005/0069762 A1 3/2005 Daley et al.

OTHER PUBLICATIONS

Optima Batteries brochure entitled "The Ultimate Power Source"
dated Mar. 2007.

U.S. Appl. No. 29/302,070, filed Jan. 9, 2008, Mack.
U.S. Appl. No. 29/320,870, filed Jul. 7, 2008, Mack.
U.S. Appl. No. 29/302,068, filed Jan. 9, 2008, Mack.
U.S. Appl. No. 29/302,071, filed Jan. 9, 2008, Mack.
U.S. Appl. No. 29/302,072, filed Jan. 9, 2008, Mack.
U.S. Appl. No. 29/320,414, filed Jun. 26, 2008, Mack.
U.S. Appl. No. 29/320,780, filed Jul. 3, 2008, Mack.
U.S. Appl. No. 29/320,869, filed Jul. 7, 2008, Mack.
U.S. Appl. No. 29/327,178, filed Oct. 31, 2008, Mack.
U.S. Appl. No. 29/327,181, filed Oct. 31, 2008, Mack.
U.S. Appl. No. 29/327,182, filed Oct. 31, 2008, Mack.
U.S. Appl. No. 29/331,896, filed Feb. 4, 2009, Mack.

* cited by examiner

FIG. 1

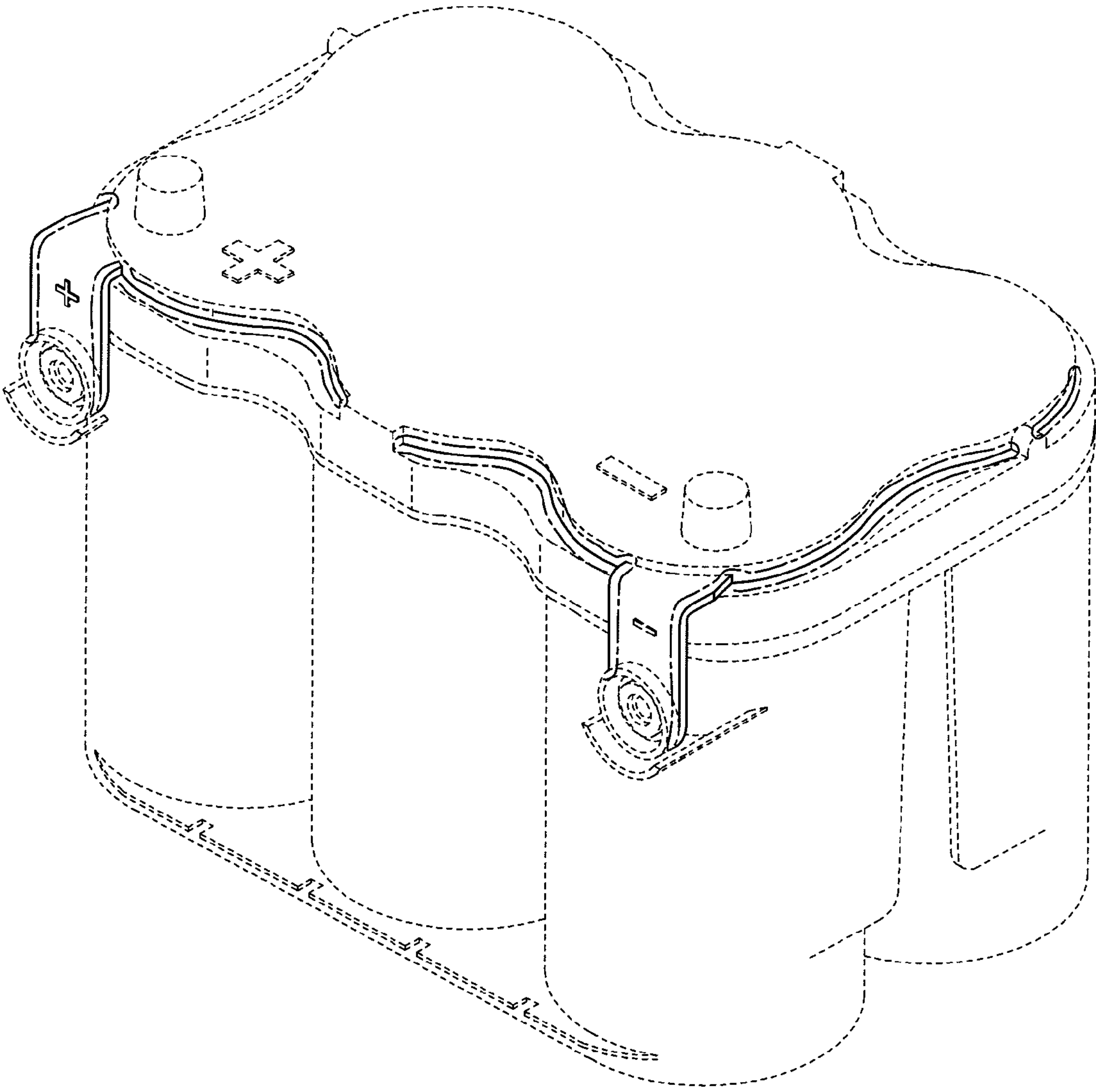


FIG. 2

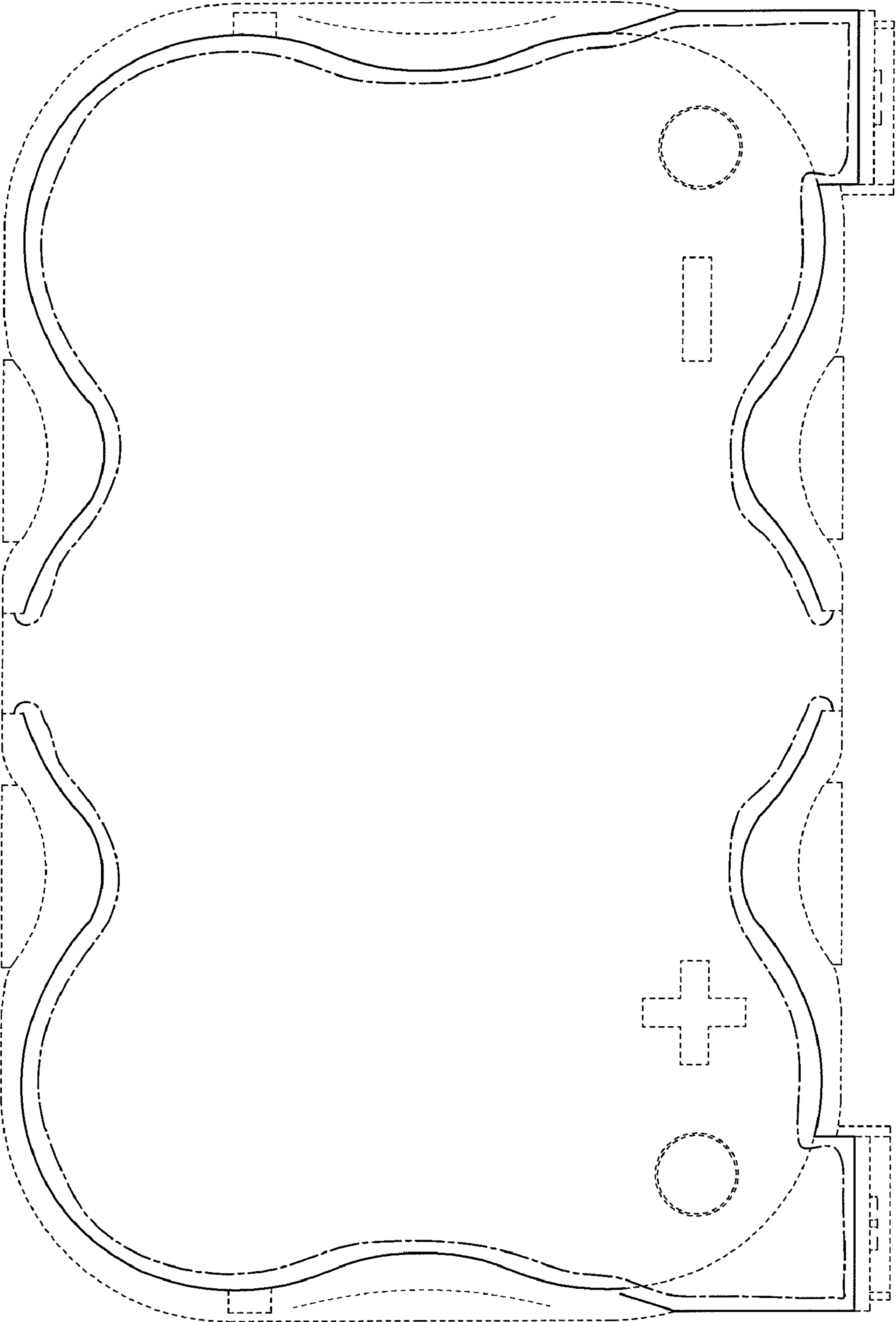


FIG. 3

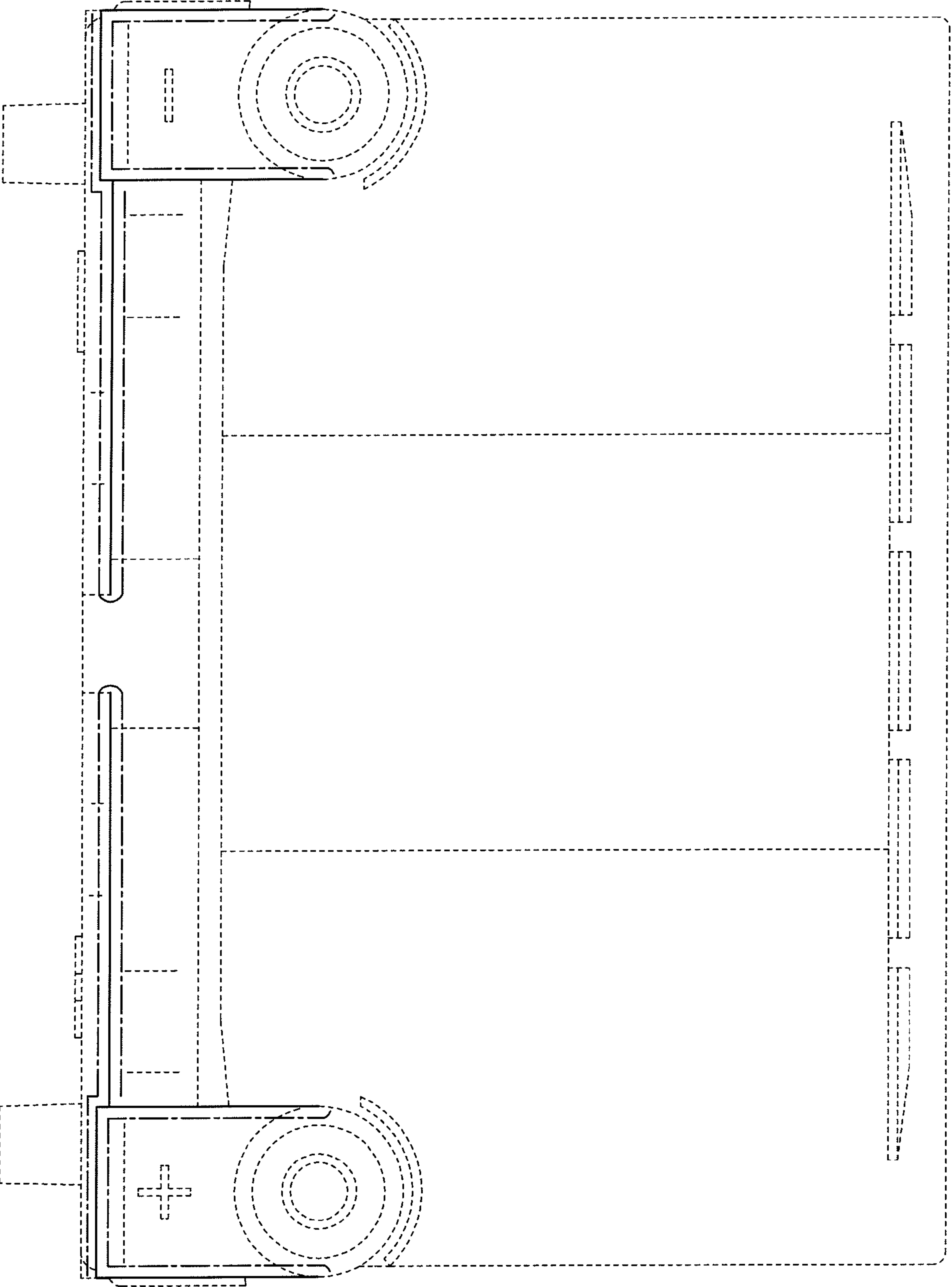


FIG. 4

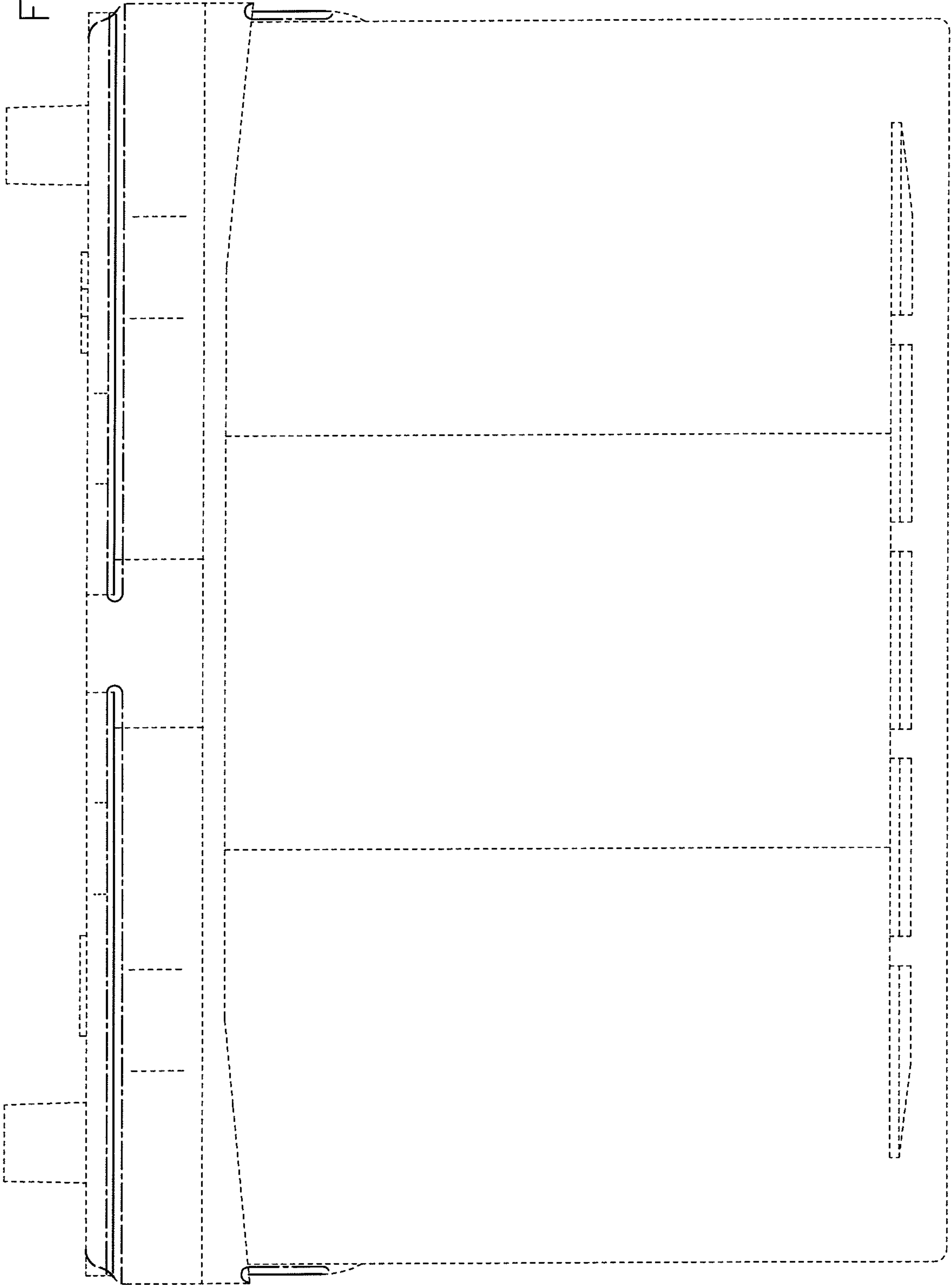


FIG. 5

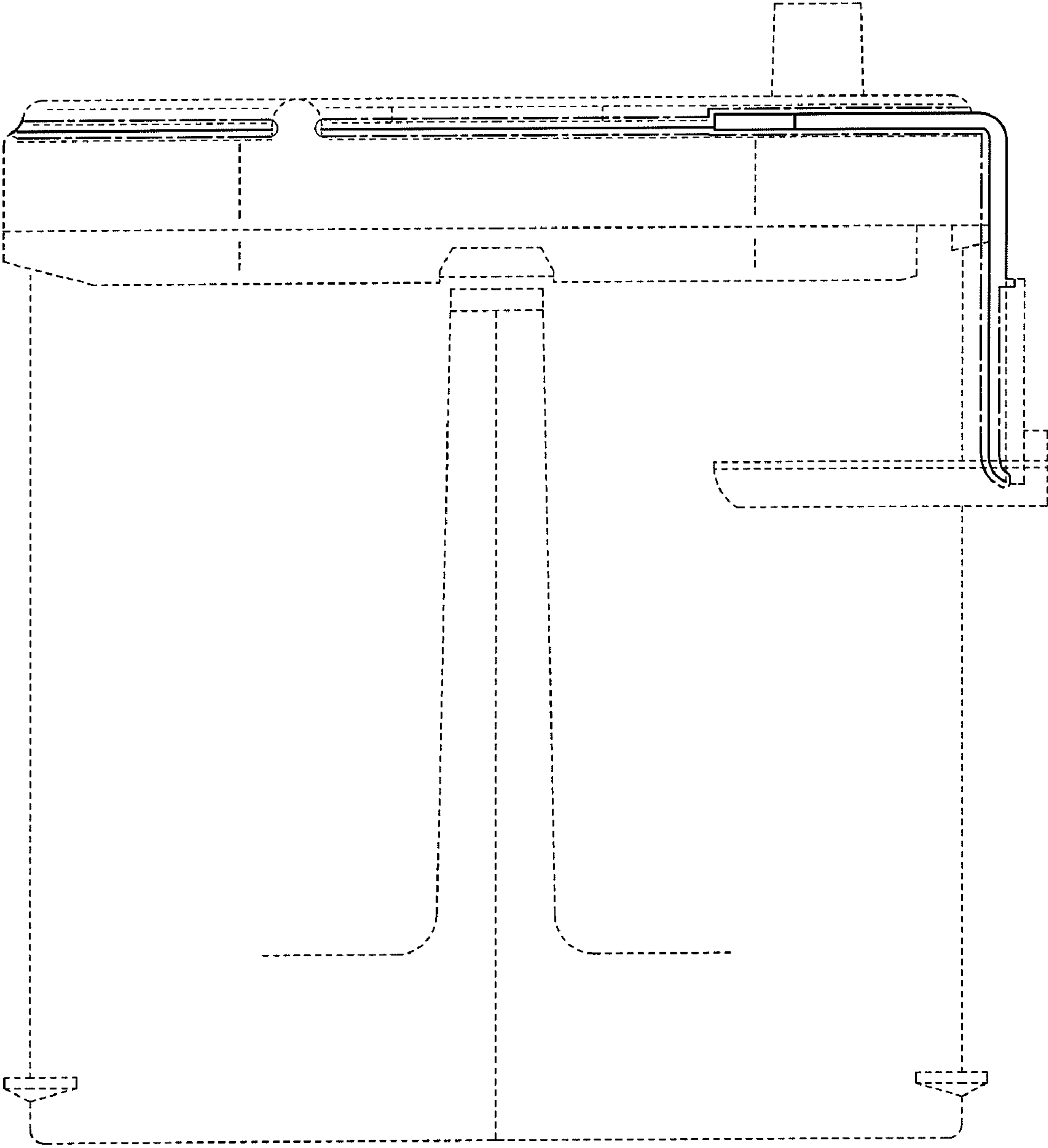


FIG. 6

