



US00D607403S

(12) **United States Design Patent**
Hara et al.

(10) **Patent No.:** **US D607,403 S**
(45) **Date of Patent:** **** Jan. 5, 2010**

(54) **CHARGER**

(75) Inventors: **Tomomi Hara**, Osaka (JP); **Seiichi Kato**, Osaka (JP)

(73) Assignee: **Panasonic Corporation**, Osaka (JP)

(**) Term: **14 Years**

(21) Appl. No.: **29/335,162**

(22) Filed: **Apr. 9, 2009**

(30) **Foreign Application Priority Data**

Oct. 10, 2008 (JP) 2008-026297

(51) **LOC (9) Cl.** **13-02**

(52) **U.S. Cl.** **D13/107**

(58) **Field of Classification Search** D13/102–103,
D13/107–110, 118–119, 133, 144, 184; D14/251,
D14/253, 432, 434, 184; 439/300, 620, 638,
439/668–669, 675, 825; 320/107–115; 363/146;
D19/92

See application file for complete search history.

(56) **References Cited**

U.S. PATENT DOCUMENTS

D213,111 S *	1/1969	Jaffe	D13/107
D231,474 S *	4/1974	Helgesson	D13/107
D262,104 S *	12/1981	Simpson	D13/119
D306,594 S *	3/1990	Taylor	D14/253
D328,055 S	7/1992	Tien		
D328,276 S	7/1992	Koinuma		
D336,281 S	6/1993	Nakamura et al.		
D340,908 S	11/1993	Tortola		
D345,977 S *	4/1994	Nagele	D14/149
D349,272 S *	8/1994	Sage	D13/107
D363,491 S *	10/1995	Hellier et al.	D14/243
D366,237 S	1/1996	Yang		
D370,202 S	5/1996	Youens		
D385,530 S *	10/1997	Hames et al.	D13/107
D395,280 S	6/1998	Phelps		
D426,808 S	6/2000	Hsiao		
D460,412 S	7/2002	Nawrozki		

D462,657 S	9/2002	Kaneko		
D463,359 S *	9/2002	Nawrozki	D13/107
D465,452 S	11/2002	Lie		
D466,075 S	11/2002	Lie		
D483,014 S	12/2003	Hsiao		
D508,459 S *	8/2005	Yoshida	D13/108

(Continued)

FOREIGN PATENT DOCUMENTS

JP	D799853	11/1990
JP	D843191	7/1992

(Continued)

OTHER PUBLICATIONS

JP Office Action mailed Aug. 4, 2009 in the counterpart JP application.

Primary Examiner—Rosemary K Tarcza

(74) *Attorney, Agent, or Firm*—Brinks Hofer Gilson & Lione

(57) **CLAIM**

we claim the ornamental design for a charger, as shown and described.

DESCRIPTION

FIG. 1 is a front and right side perspective view of a charger of the present invention;

FIG. 2 is a front and left side perspective view thereof;

FIG. 3 is a front view thereof;

FIG. 4 is a rear view thereof;

FIG. 5 is a left side view thereof;

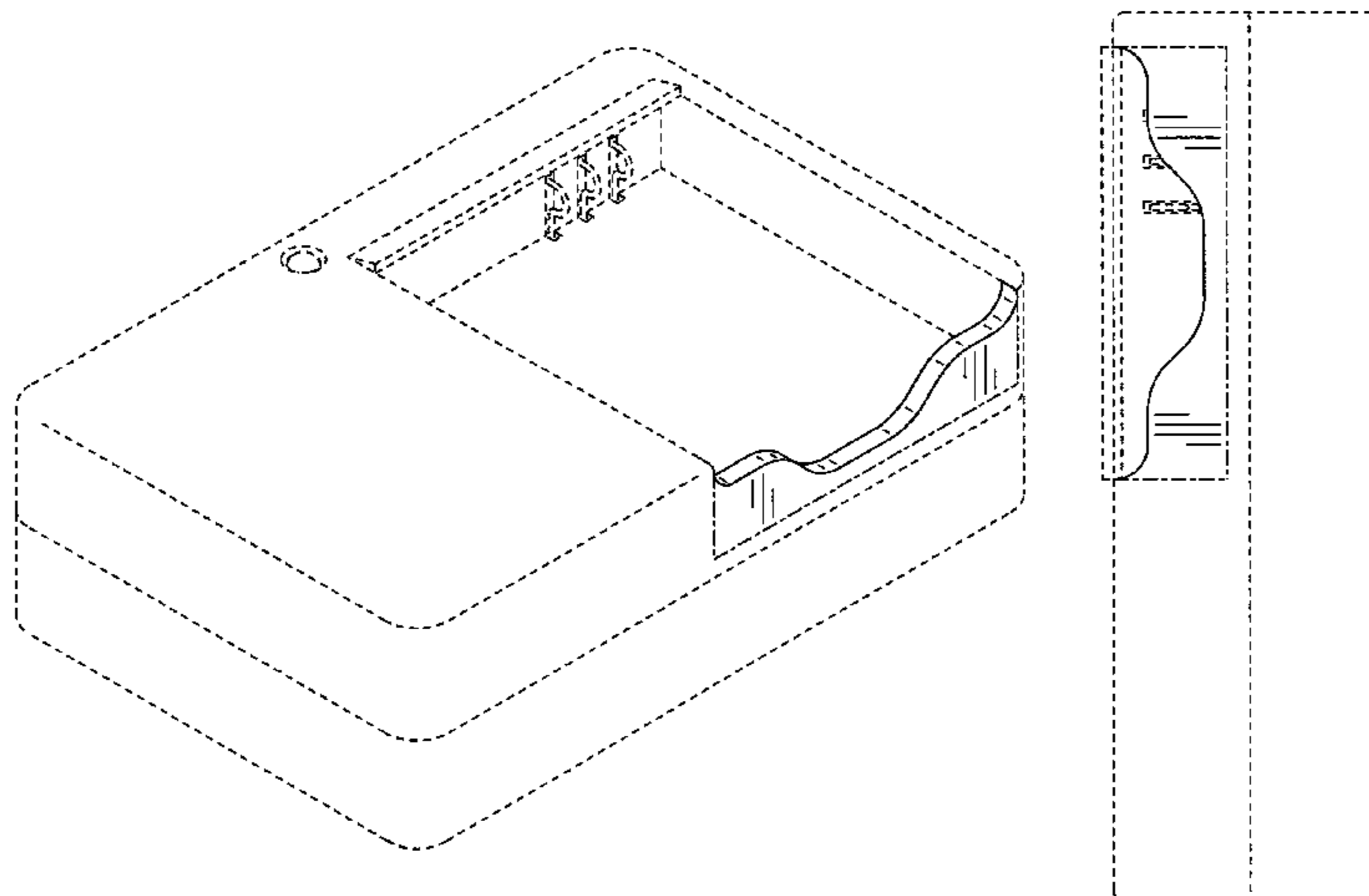
FIG. 6 is a right side view thereof;

FIG. 7 is a top view thereof; and,

FIG. 8 is a bottom view thereof.

The broken line showing of charger is included for the purpose of illustrating environment and forms no part of the claimed design.

1 Claim, 8 Drawing Sheets



US D607,403 S

Page 2

U.S. PATENT DOCUMENTS					
			JP	D1155617	10/2002
			JP	D1155861	10/2002
D509,790	S *	9/2005 Sakai	JP	D1171549	4/2003
D520,943	S *	5/2006 Imai	JP	D1172750	5/2003
D520,945	S *	5/2006 Hayamizu	JP	D1172751	5/2003
D520,946	S *	5/2006 Nasu	JP	D1172752	5/2003
D532,370	S *	11/2006 Shimizu	JP	D1178147	6/2003
D562,761	S	2/2008 Ueda et al.	JP	D1178307	6/2003
D562,763	S	2/2008 Kingston et al.	JP	D1188728	10/2003
D563,313	S	3/2008 Ueda et al.	JP	D1206529	5/2004
D563,867	S	3/2008 Ahlgren	JP	D1207507	6/2004
D571,722	S	6/2008 Kang et al.	JP	D1237625	4/2005
D573,088	S	7/2008 Castellucci et al.	JP	D1237934	4/2005
D574,321	S	8/2008 Osiecki et al.	JP	D1237935	4/2005
D575,729	S	8/2008 Nomi et al.	JP	D1240237	5/2005
D576,546	S	9/2008 Yang	JP	D1240254	5/2005
2003/0085686	A1 *	5/2003 Haga et al.	JP	D1240434	5/2005
			JP	D1269065	4/2006
			JP	D1273539	6/2006
			JP	D1281658	9/2006
			JP	D1281814	9/2006
			JP	D1315127	11/2007
			JP	D1337991	8/2008
			KR	30-0415430	5/2006
FOREIGN PATENT DOCUMENTS					
JP	D853360	11/1992			
JP	D893189	3/1994			
JP	D923332	4/1995			
JP	D958954	7/1996			
JP	D969103	11/1996			
JP	D992712	10/1997			
JP	D1030380	1/1999			

* cited by examiner

FIG.1

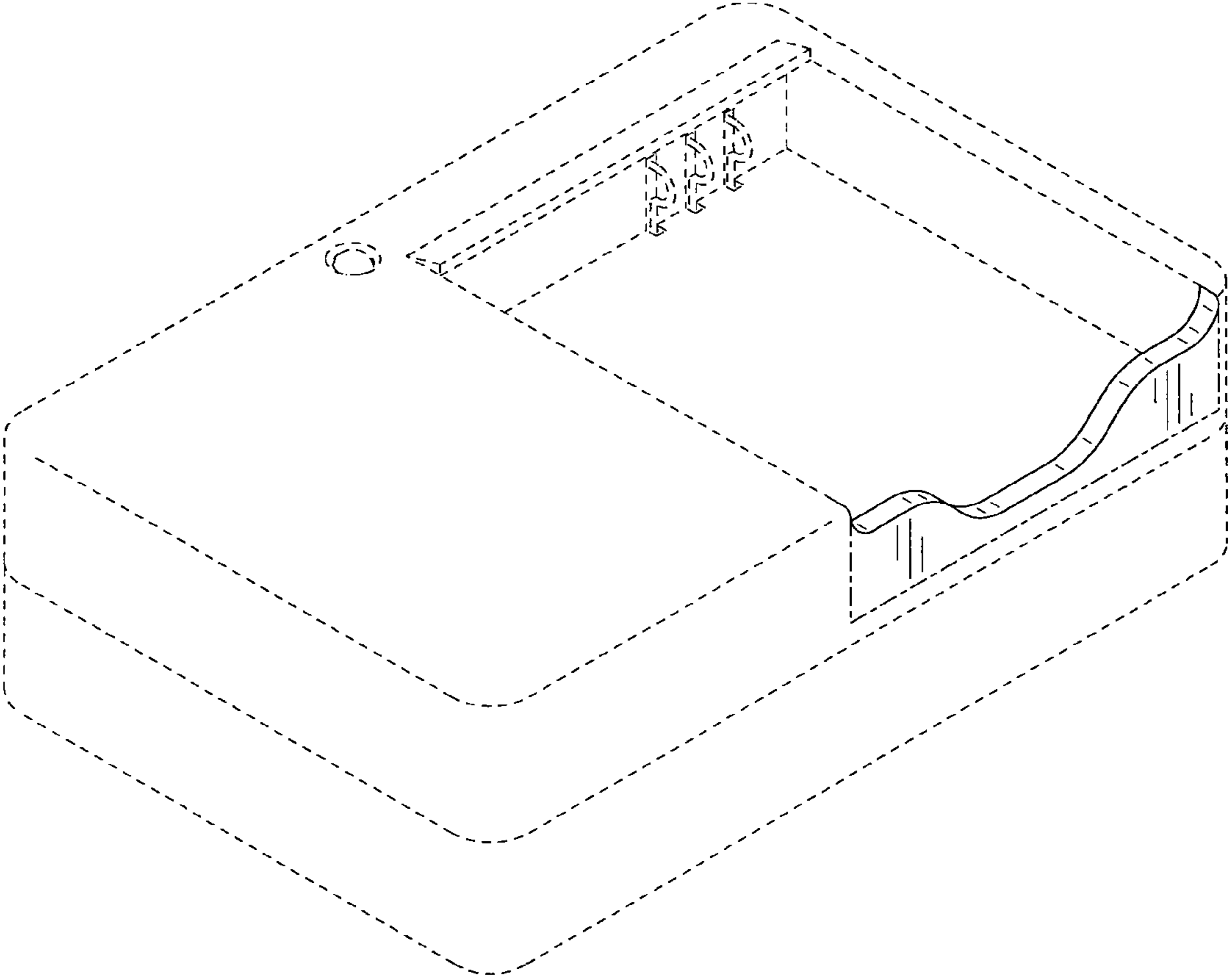


FIG.2

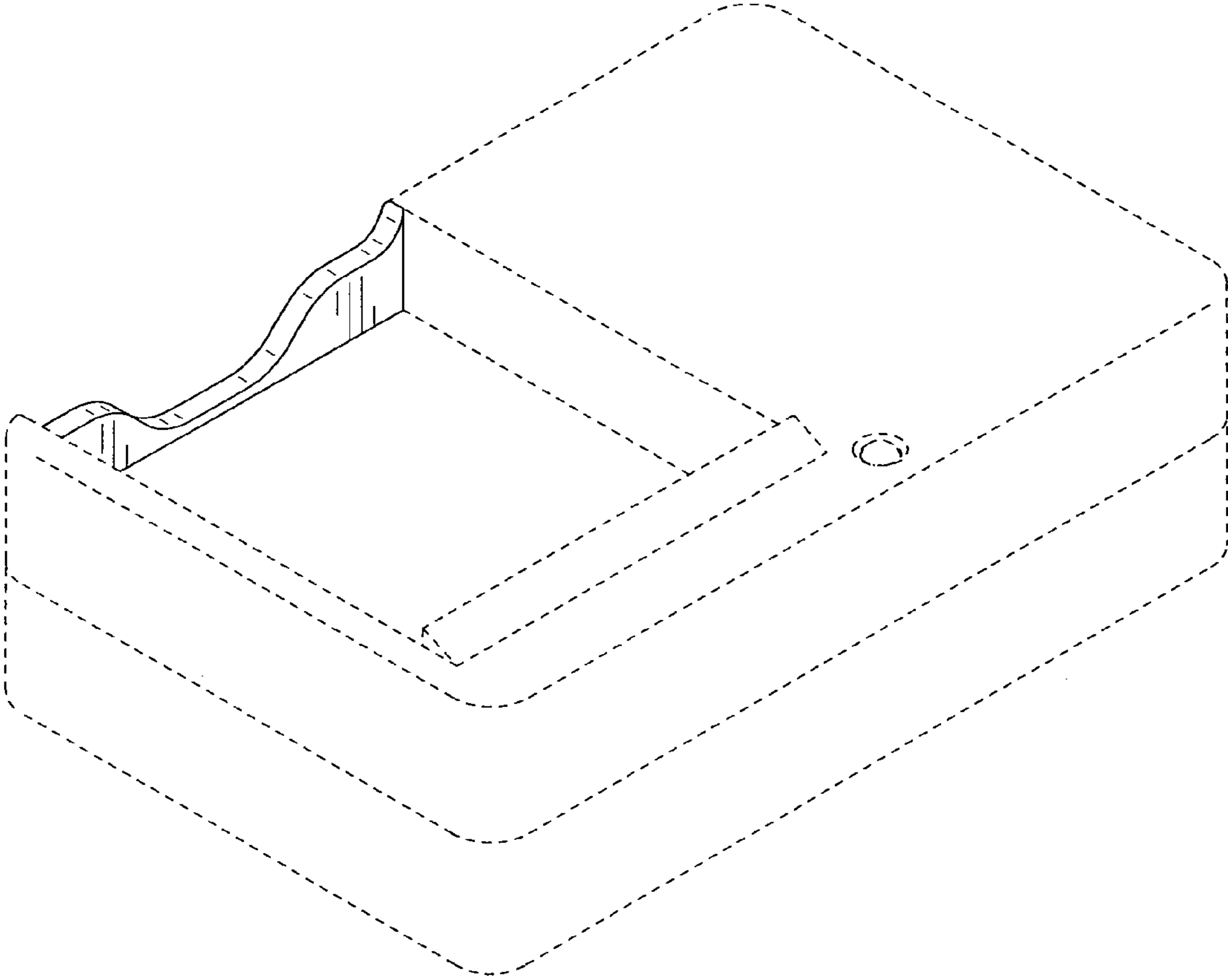


FIG.3

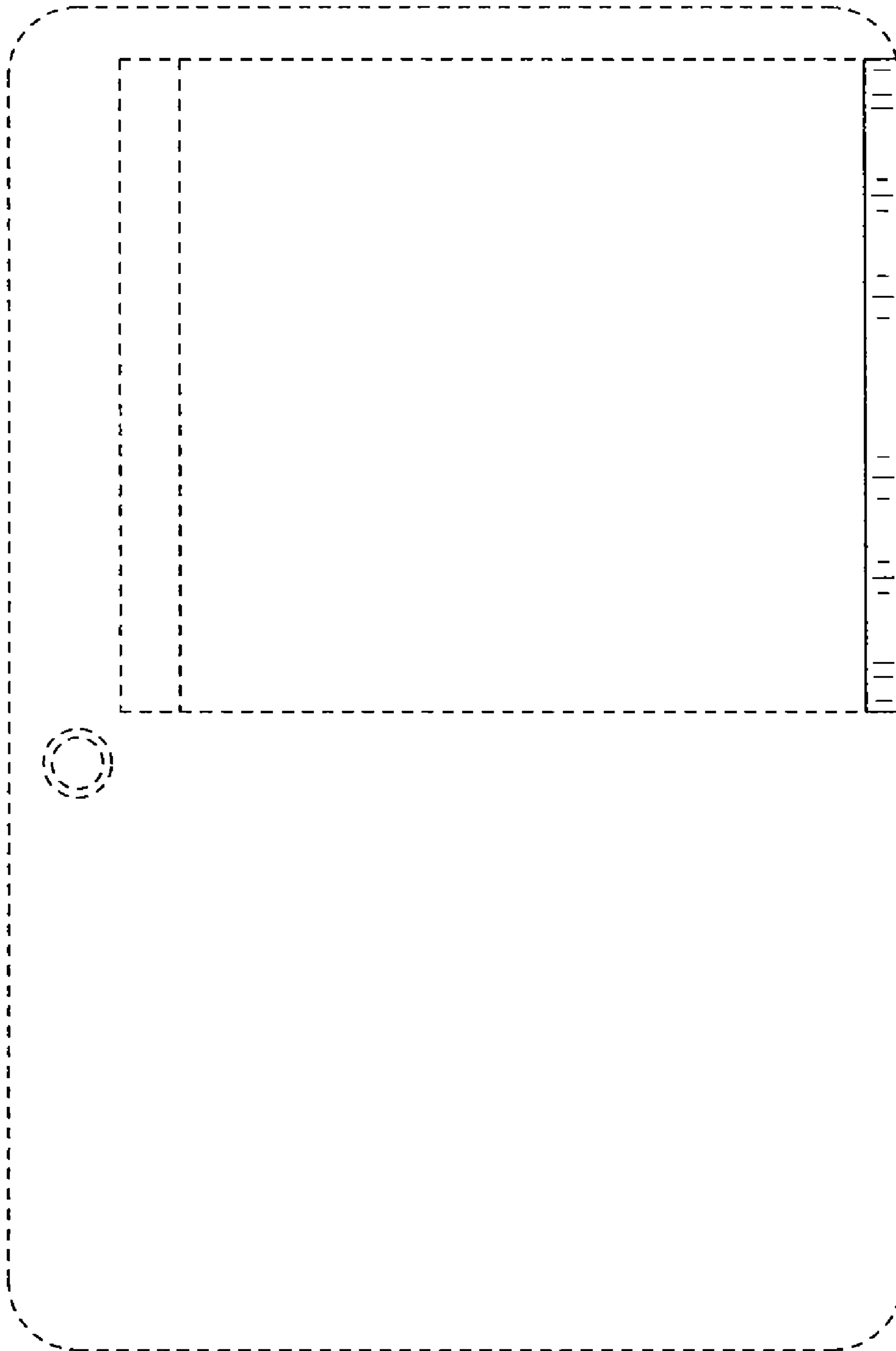


FIG.4

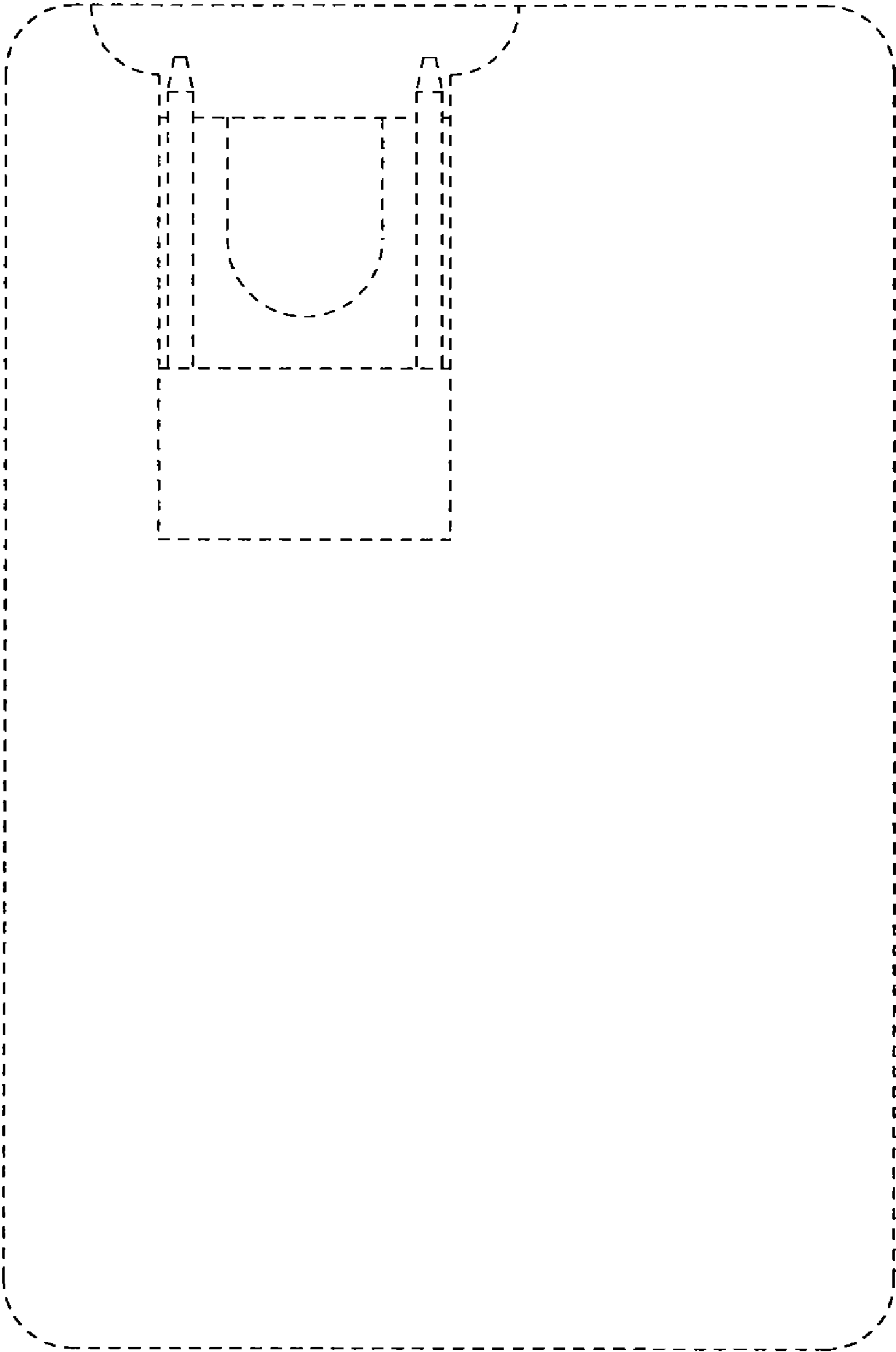


FIG.5

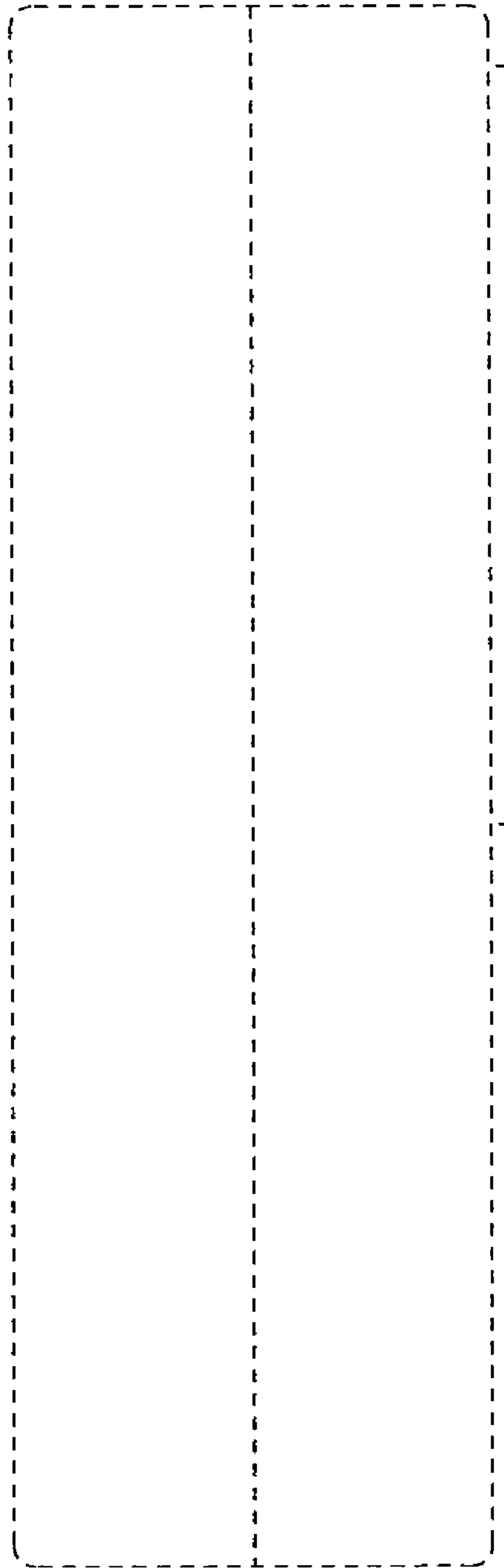


FIG.6

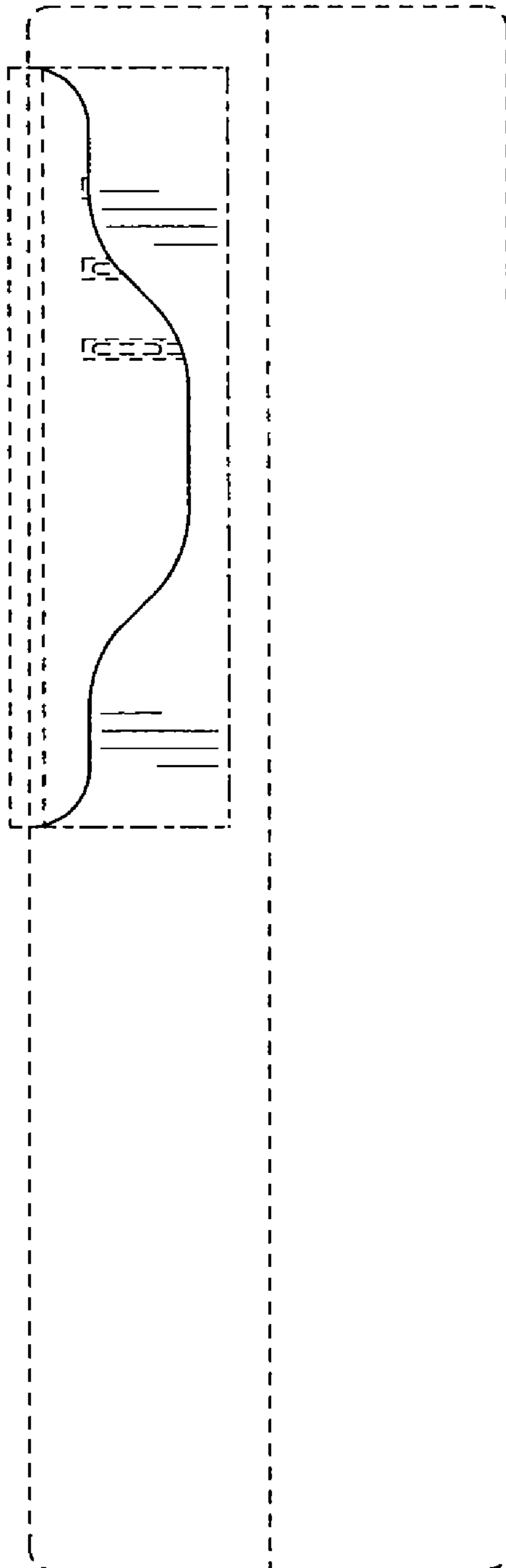


FIG. 7

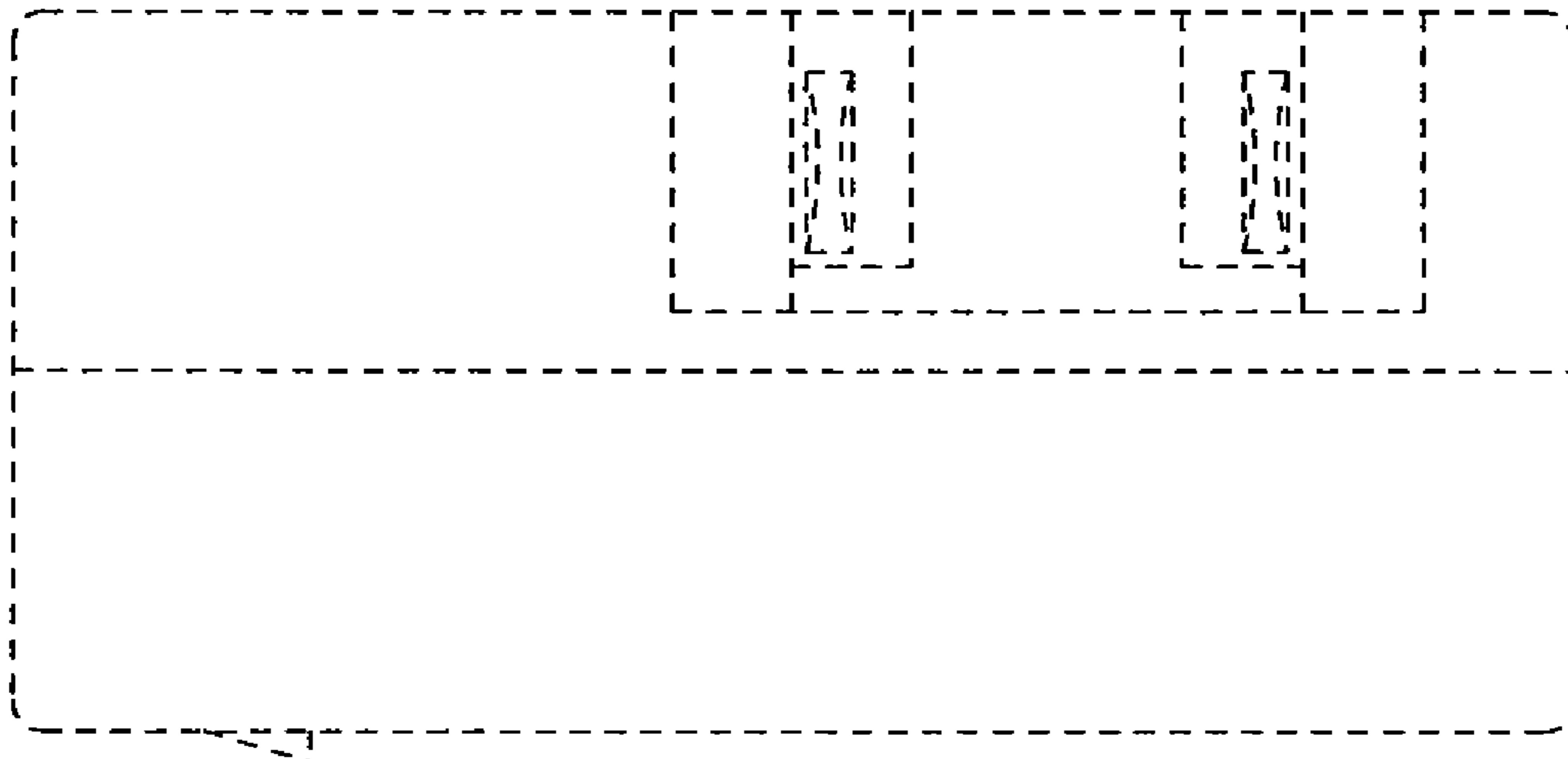


FIG.8

