



US00D607395S

(12) **United States Design Patent**
Beigel et al.

(10) **Patent No.:** **US D607,395 S**

(45) **Date of Patent:** **** Jan. 5, 2010**

(54) **STEP CLOSEOUT OF A TRUCK VEHICLE**

(75) Inventors: **David J. Beigel**, Payne, OH (US);
Marcey K. Collins, Fort Wayne, IN
(US); **Vikas Deshmukh**, Kasarwadi
(IN); **Andrew J. Krum**, Fort Wayne, IN
(US); **William Ratliff**, Commerce
Township, MI (US); **Ronald E. Schoon**,
Fort Wayne, MI (US); **Anthony Lynn
Schroeder**, Leo, IN (US); **Jaimi Smith**,
Lake Orion, MI (US); **Kris K.
Timmerman**, Huntertown, IN (US);
Robert Scott Tirey, Fort Wayne, IN
(US); **Bruce Youngs**, Novi, MI (US)

(73) Assignee: **Mahindra Navistar Automotives
Limited** (IN)

(**) Term: **14 Years**

(21) Appl. No.: **29/341,271**

(22) Filed: **Aug. 3, 2009**

(51) **LOC (9) Cl.** **12-16**

(52) **U.S. Cl.** **D12/203**

(58) **Field of Classification Search** D12/203,
D12/93-99, 196, 400; D25/62, 63, 69; 182/90,
182/92, 150, 96, 127, 88; 280/163, 165,
280/164.1, 164.2, 166; 296/62, 57.1; 293/117;
105/430, 487, 449

See application file for complete search history.

(56) **References Cited**

U.S. PATENT DOCUMENTS

3,756,622 A * 9/1973 Pyle et al. D12/203

D229,045 S * 11/1973 Carl D12/203
D313,954 S * 1/1991 Fingerle D12/96
D394,628 S * 5/1998 Wentzel D12/203
D434,348 S * 11/2000 Delashaw et al. D12/96
D488,572 S * 4/2004 Warren D12/96
D494,117 S * 8/2004 Ruffin D12/203
D556,345 S * 11/2007 Desjoyaux et al. D25/63
D560,151 S * 1/2008 Jeffries D12/203
D570,253 S * 6/2008 Cunagin et al. D12/96
D585,350 S * 1/2009 Coletti D12/203
D593,472 S * 6/2009 Coletti D12/203

* cited by examiner

Primary Examiner—Stacia Cadmus

(74) *Attorney, Agent, or Firm*—Jeffrey P. Calfa; Mark C.
Bach; Gerald W. Askew

(57) **CLAIM**

The ornamental design for a step closeout of a truck vehicle,
as shown and described.

DESCRIPTION

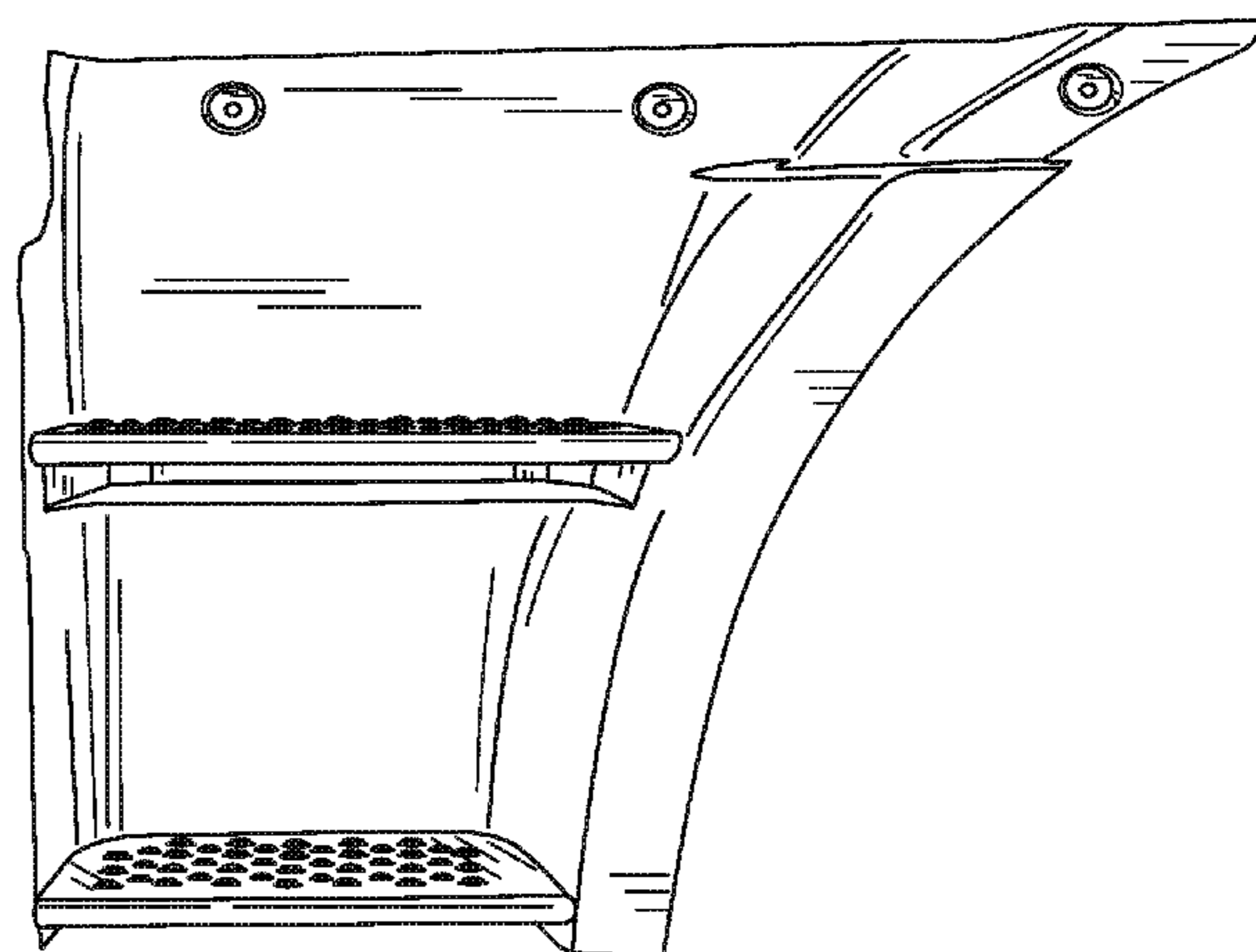
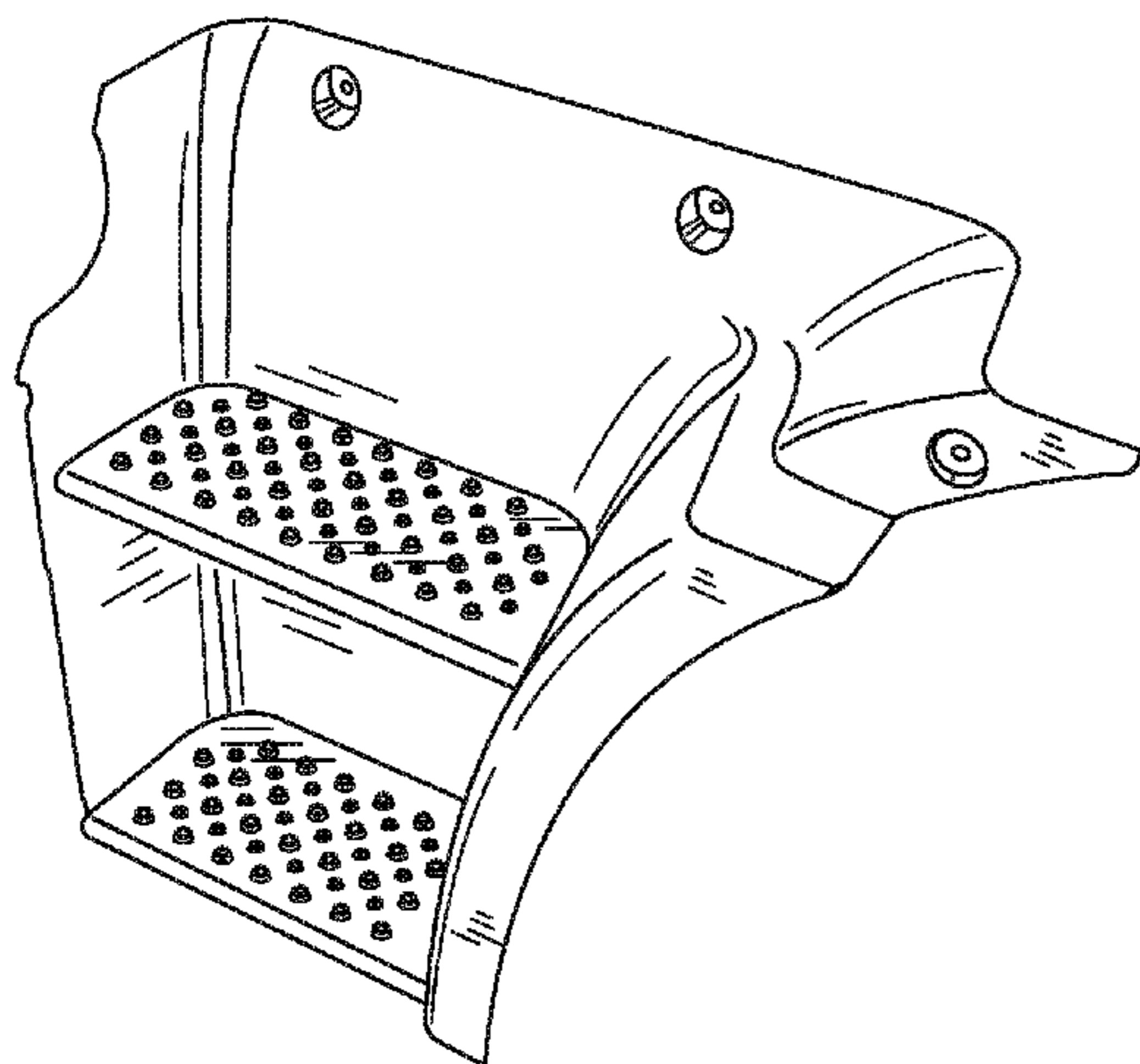
FIG. 1 is a left, front perspective view of a step closeout of a
truck vehicle showing our new design;

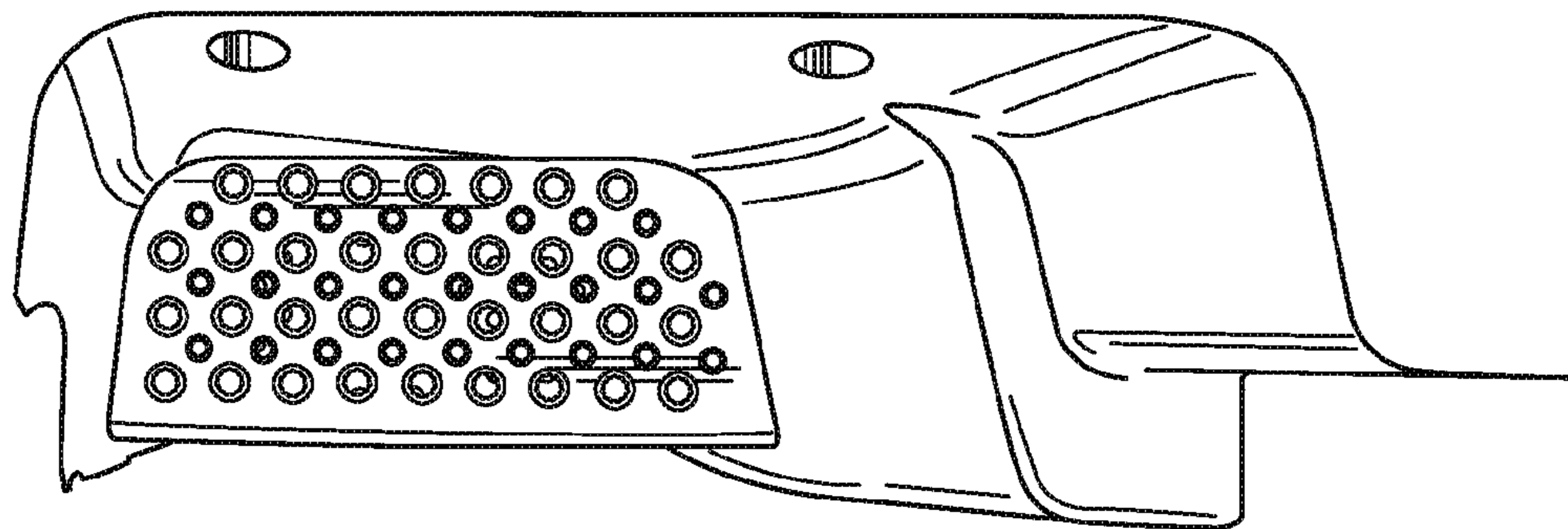
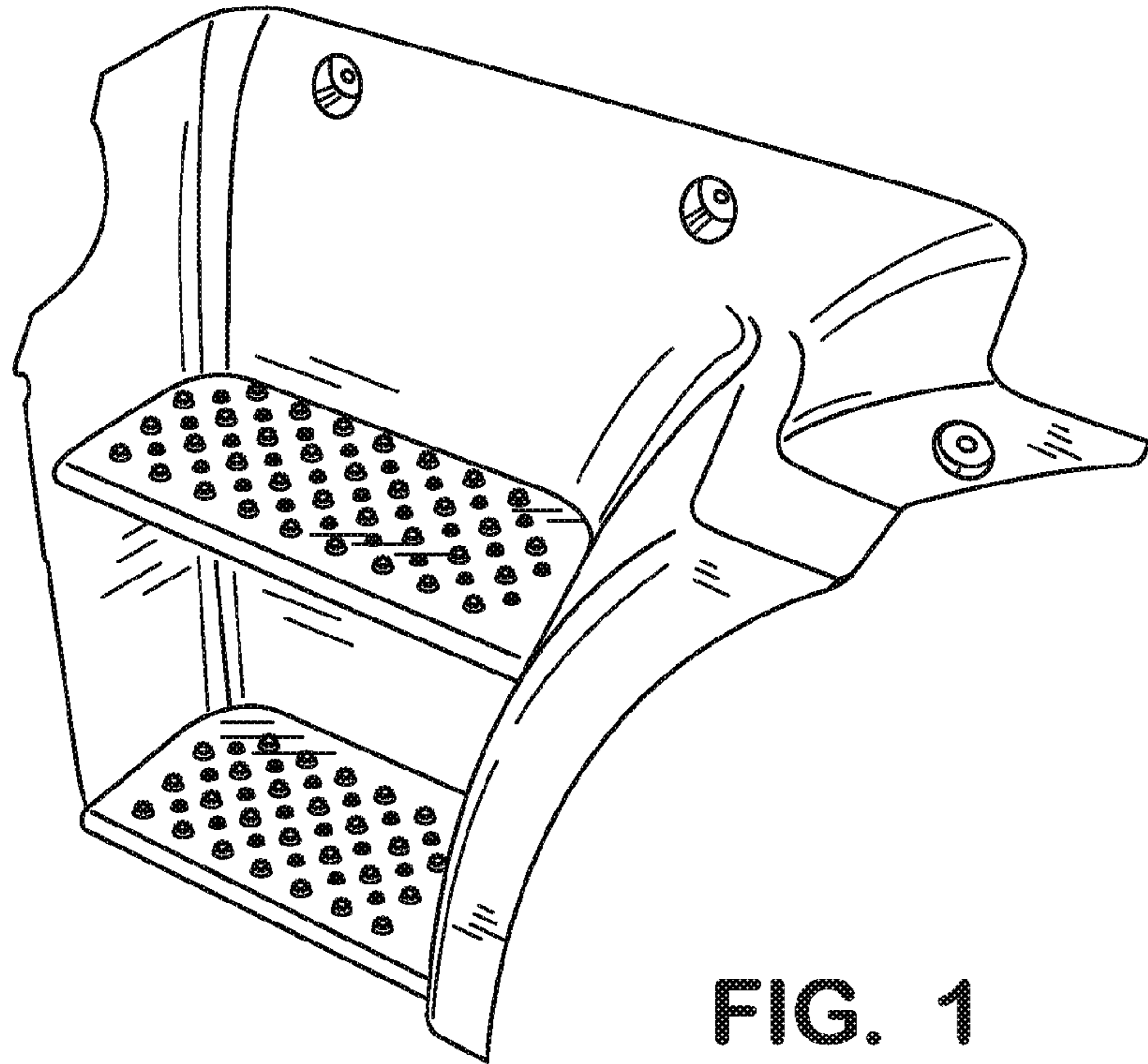
FIG. 2 is a top view thereof;

FIG. 3 is a right view thereof; and,

FIG. 4 is a front view thereof.

1 Claim, 2 Drawing Sheets





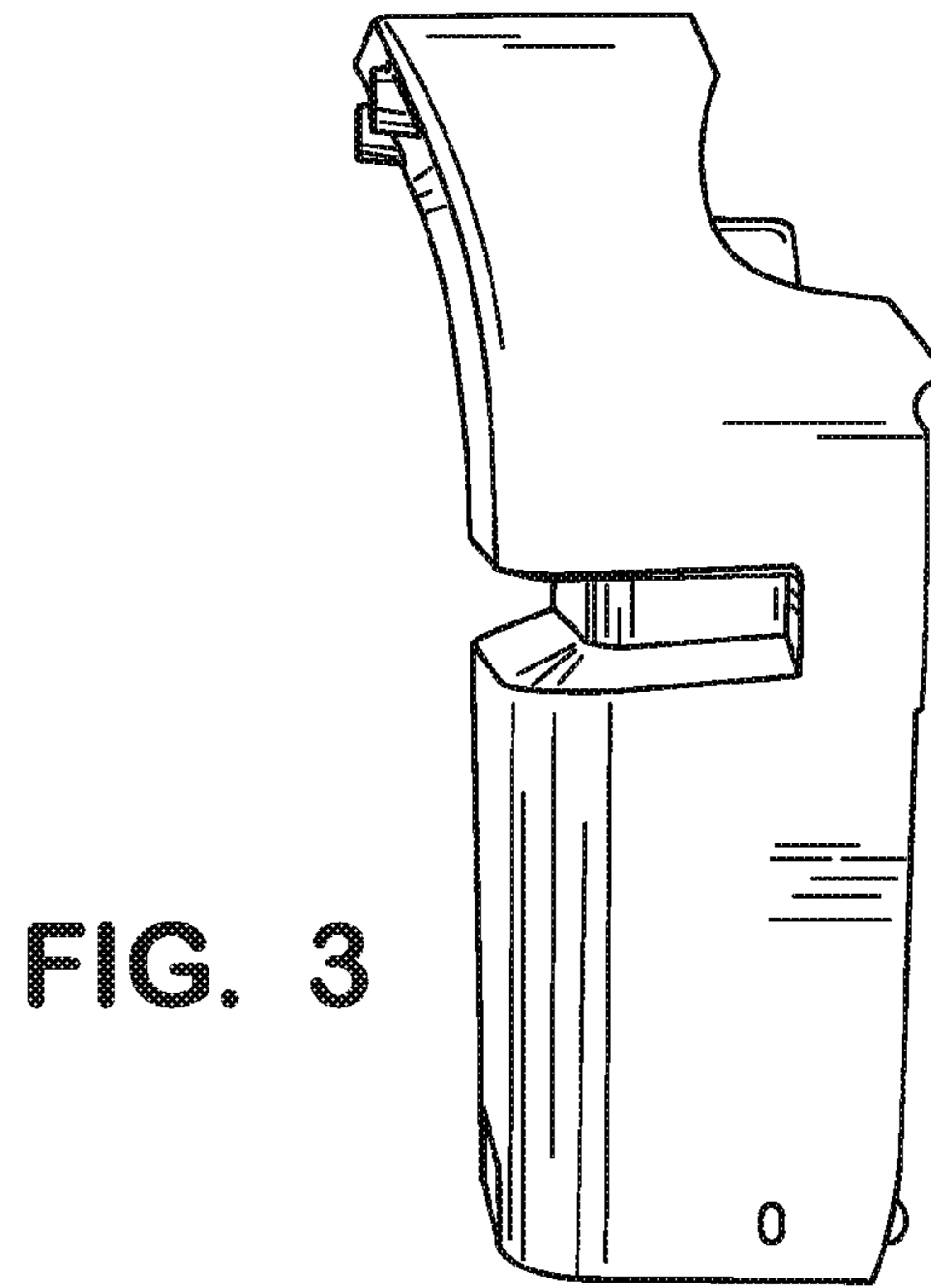


FIG. 3

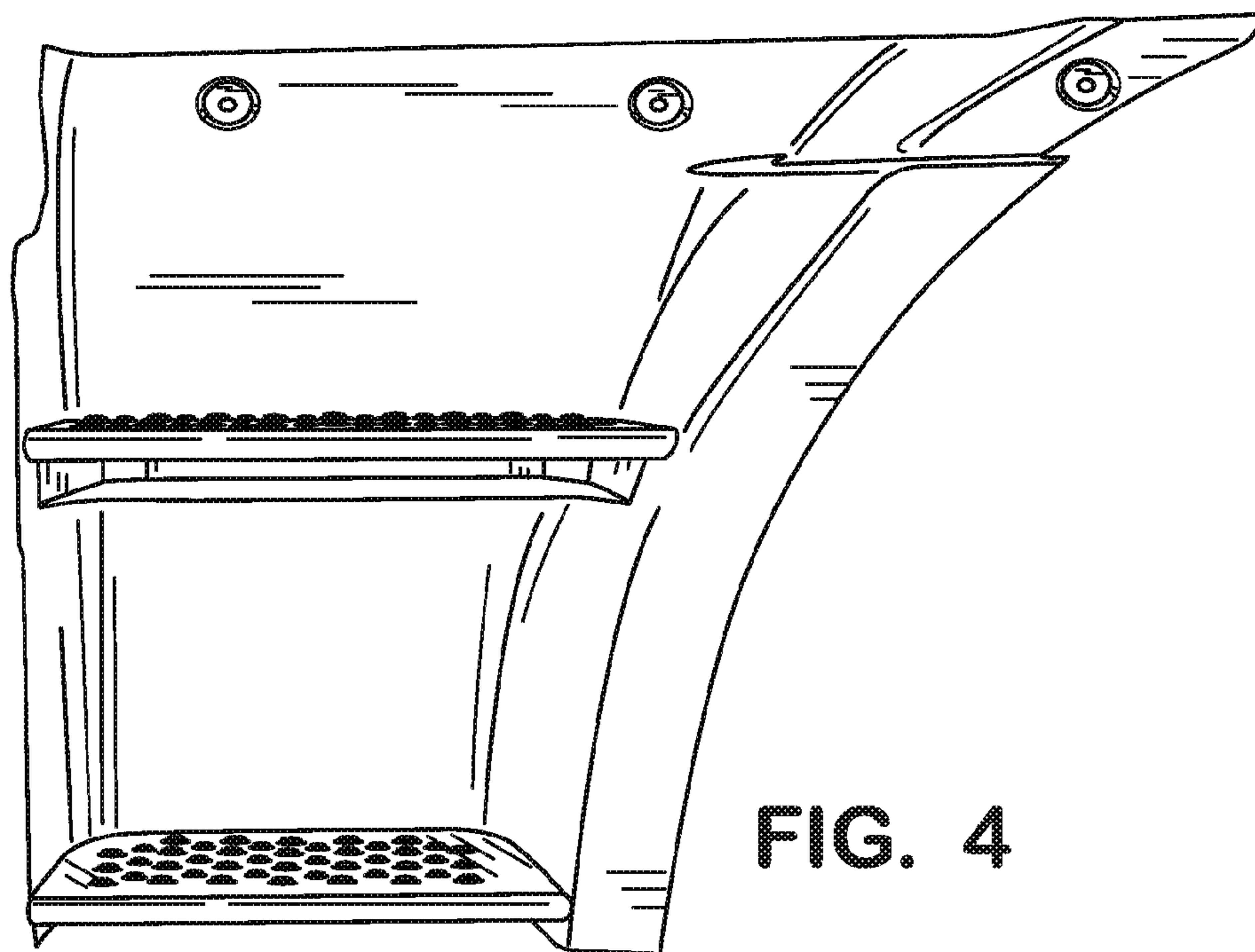


FIG. 4