



US00D607392S

(12) **United States Design Patent**
Shymkiw

(10) **Patent No.:** **US D607,392 S**

(45) **Date of Patent:** **** Jan. 5, 2010**

(54) **APPLIQUE FOR MOTOR VEHICLE**

D556,015 S * 11/2007 Muchnik D8/354
D566,022 S * 4/2008 Johnson D12/190
D586,273 S * 2/2009 Hamburger D12/181

(75) Inventor: **Robert William Shymkiw**, Westlake Village, CA (US)

* cited by examiner

(73) Assignee: **TFP, Inc.**, Cerritos, CA (US)

Primary Examiner—Caron Veynar
Assistant Examiner—Katrina A Kile

(**) Term: **14 Years**

(74) *Attorney, Agent, or Firm*—Knobbe, Martens, Olson & Bear, LLP

(21) Appl. No.: **29/324,168**

(22) Filed: **Sep. 8, 2008**

(57) **CLAIM**

(51) **LOC (9) Cl.** **12-08**

The ornamental design for an applique for motor vehicle, as shown and described.

(52) **U.S. Cl.** **D12/190**

(58) **Field of Classification Search** D12/190,
D12/181, 400, 90, 91, 92, 114, 199, 196,
D12/197, 86, 171, 172, 173, 169, 163; D11/211,
D11/81, 157, 133, 172; 293/102, 115, 1.07–1.08;
D20/11, 23, 24, 25; 40/760, 591–594; 428/98–99,
428/31

See application file for complete search history.

DESCRIPTION

FIG. 1 is a front top perspective view of an applique for motor vehicle;

FIG. 2 is a front view thereof;

FIG. 3 is a top view thereof;

FIG. 4 is a bottom view thereof;

FIG. 5 is a left side view thereof;

FIG. 6 is a right side view thereof;

FIG. 7 is a rear view thereof; and,

FIG. 8 is a section taken along line 37—37 in FIG. 2.

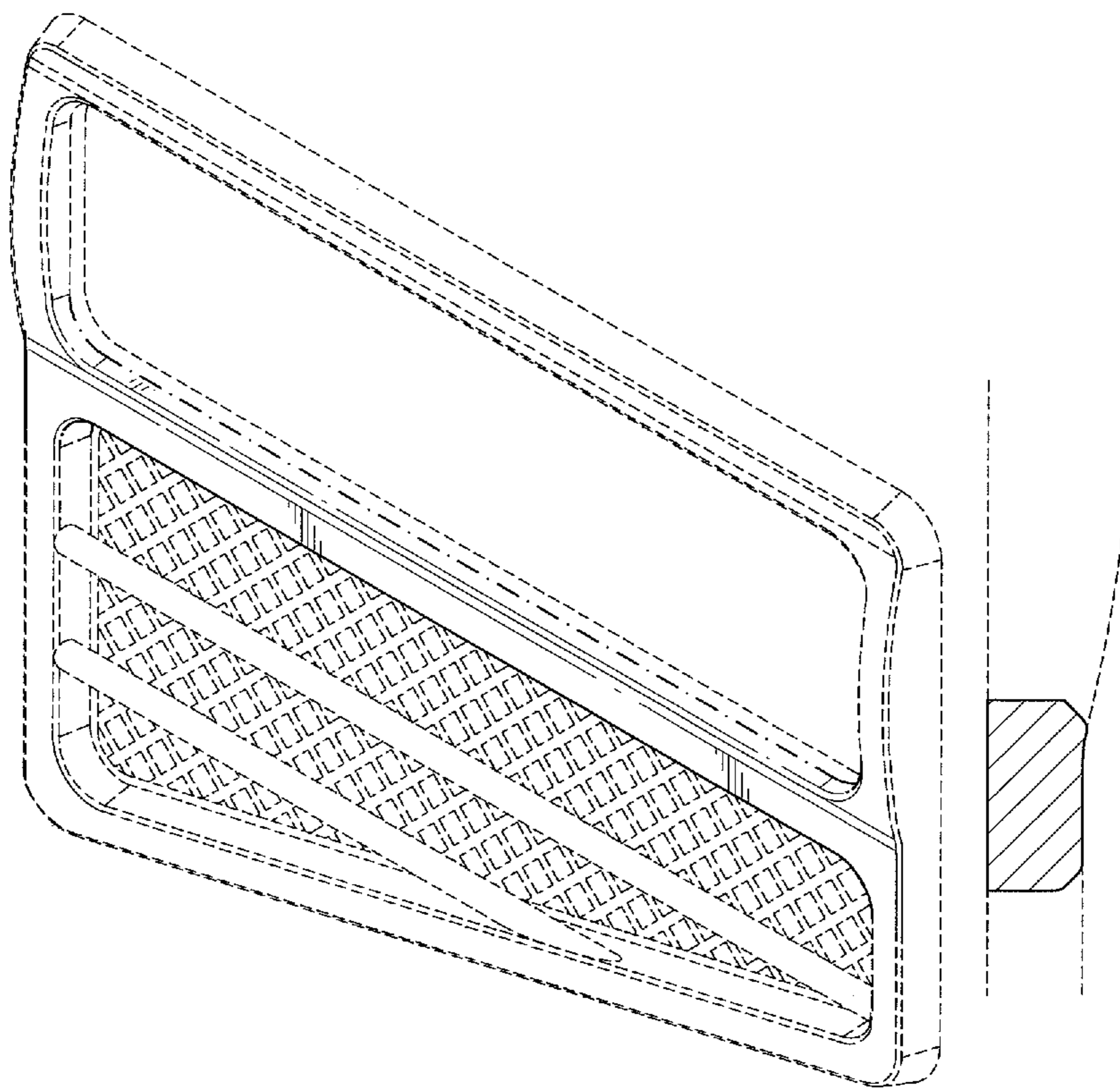
In the drawings, the broken lines show portions of an applique for motor vehicle and form no part of the claimed design.

(56) **References Cited**

U.S. PATENT DOCUMENTS

D263,294 S * 3/1982 Kaplus et al. D12/183
D394,035 S * 5/1998 Stosel et al. D12/163
D429,195 S * 8/2000 Gabath D12/163
D432,064 S * 10/2000 Hartog D12/190
D540,228 S * 4/2007 Lai D12/190
D540,229 S * 4/2007 Lai D12/190
D545,258 S * 6/2007 Teng D12/190

1 Claim, 4 Drawing Sheets



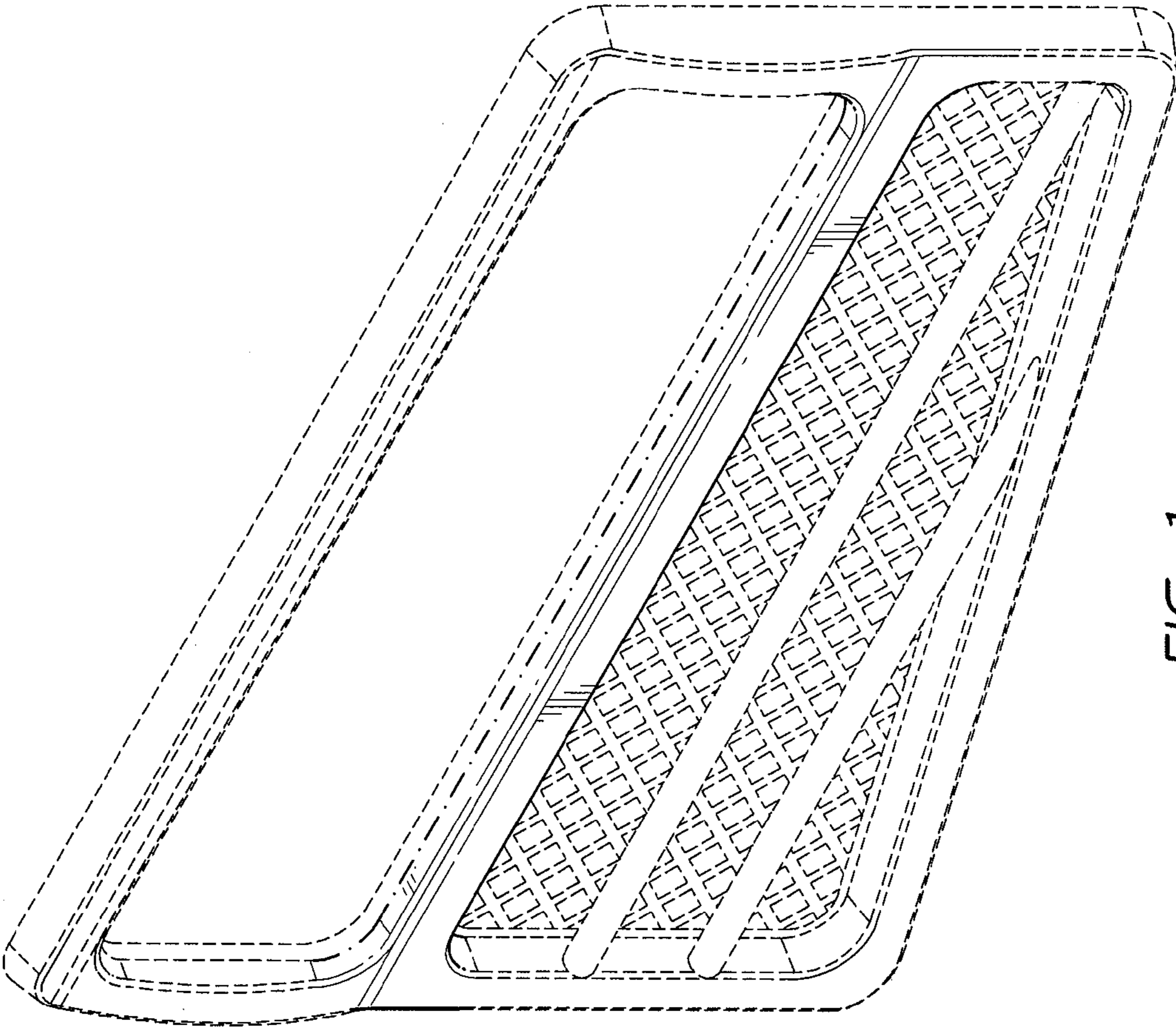


FIG. 1

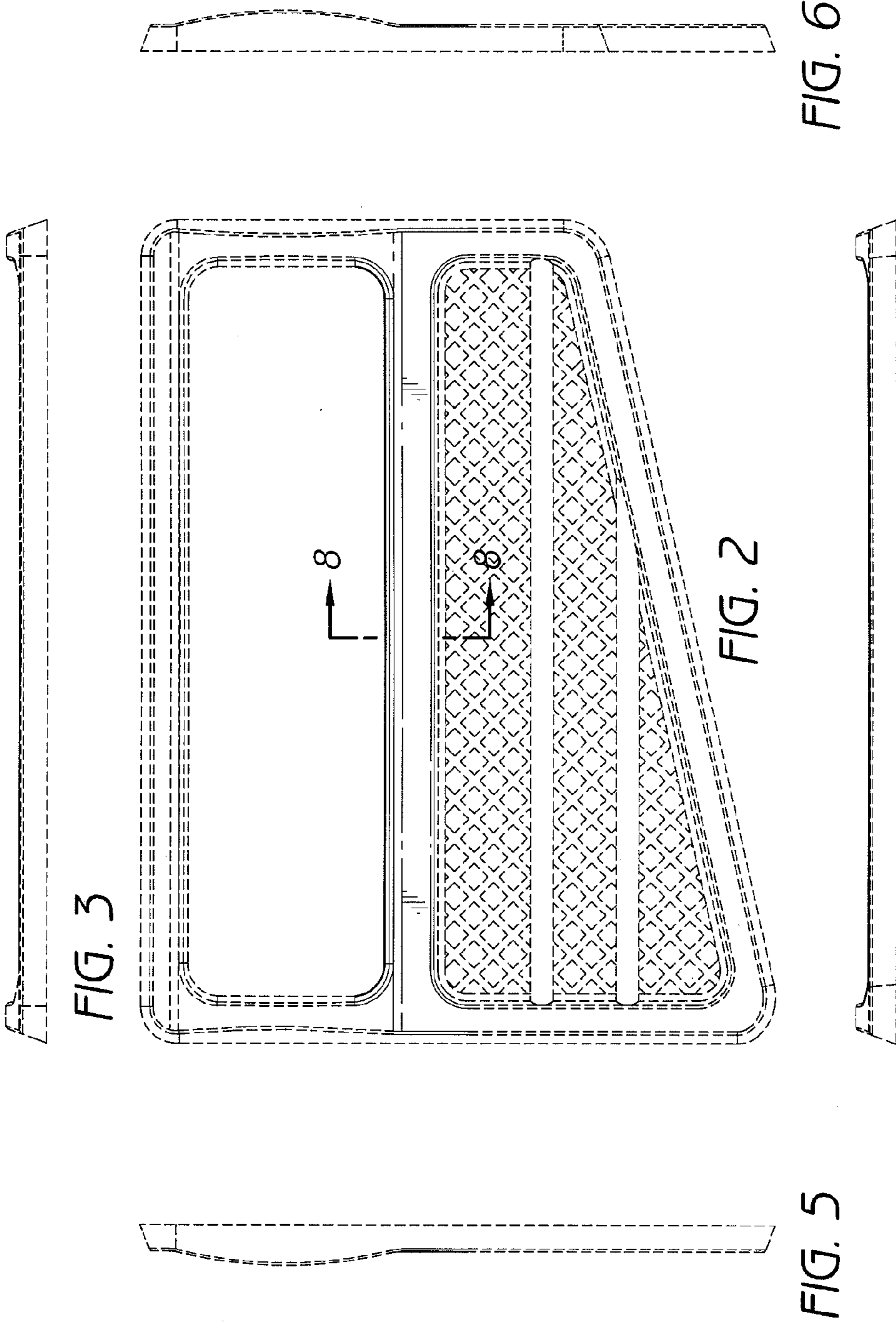


FIG. 3

FIG. 2

FIG. 5

FIG. 6

FIG. 4

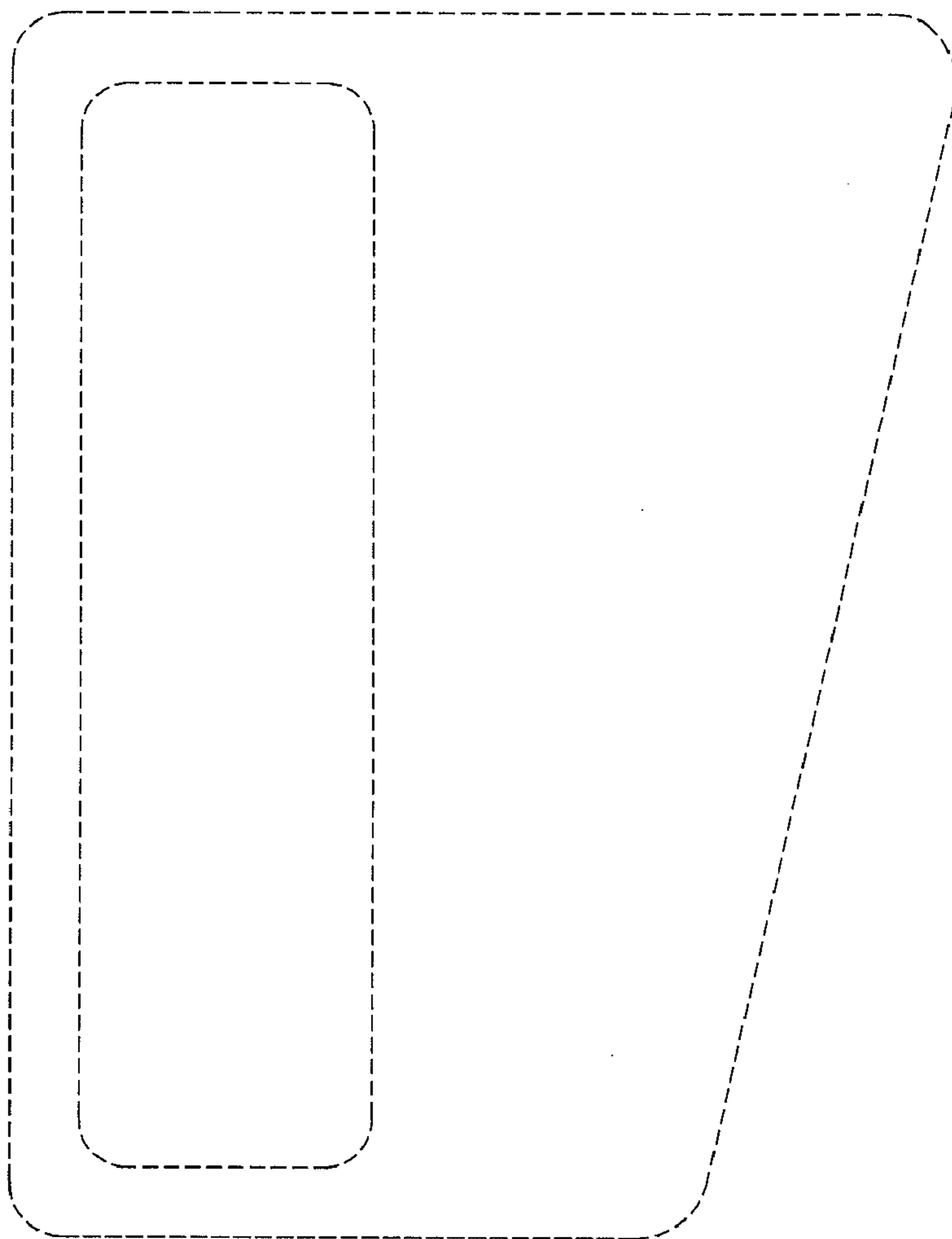


FIG. 7

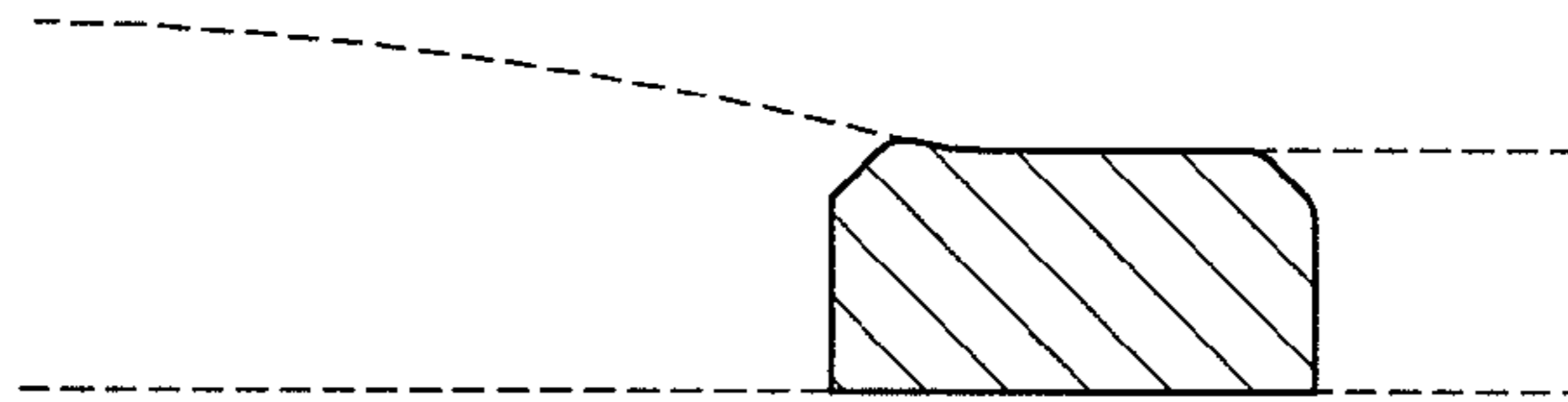


FIG. 8